

US00D698542S

(12) **United States Design Patent**  
**January**

(10) **Patent No.:** **US D698,542 S**  
(45) **Date of Patent:** **\*\* Feb. 4, 2014**

(54) **BACKPACK FOR HOLDING A RADIO**

(75) Inventor: **Michael W. January**, Spring Lake, NC  
(US)

(73) Assignee: **Harris Corporation**, Melbourne, FL  
(US)

(\*\*) Term: **14 Years**

(21) Appl. No.: **29/404,168**

(22) Filed: **Oct. 17, 2011**

(51) **LOC (10) Cl.** ..... **03-01**

(52) **U.S. Cl.**  
USPC ..... **D3/217; D3/216**

(58) **Field of Classification Search**  
USPC ..... D2/830; D3/214, 215, 216, 217, 270,  
D3/321; 224/153, 577, 578, 407;  
128/202.22, 205.22  
See application file for complete search history.

(56) **References Cited**

**U.S. PATENT DOCUMENTS**

4,491,258	A *	1/1985	Jones	.....	224/153
D306,379	S *	3/1990	Kobasic	.....	D6/367
D396,952	S *	8/1998	Liu	.....	D3/216
D444,942	S *	7/2001	Melnick	.....	D3/216
D469,952	S *	2/2003	Daglow et al.	.....	D3/216
6,712,249	B2 *	3/2004	Magnusson et al.	.....	224/576
D489,174	S *	5/2004	Shigenaka et al.	.....	D3/217
D552,844	S *	10/2007	Shor et al.	.....	D3/216

D552,845	S *	10/2007	Shor et al.	.....	D3/217
D553,349	S *	10/2007	Aliberti et al.	.....	D3/216
D569,099	S *	5/2008	Gossett	.....	D3/217
D610,797	S *	3/2010	Shor et al.	.....	D3/217
8,038,042	B2 *	10/2011	Bartel	.....	224/634
D662,316	S *	6/2012	Nitkin	.....	D3/217
2002/0139820	A1 *	10/2002	Godshaw et al.	.....	224/153
2010/0140307	A1 *	6/2010	Almoumen	.....	224/155
2013/0200115	A1 *	8/2013	Huber et al.	.....	224/153

\* cited by examiner

*Primary Examiner* — T. Chase Nelson

(74) *Attorney, Agent, or Firm* — Allen, Dyer, Doppelt, Milbrath & Gilchrist, P.A.

(57) **CLAIM**

The ornamental design for a backpack for holding a radio, as shown and described.

**DESCRIPTION**

FIG. 1 is a perspective view of the backpack of the present invention.

FIG. 2 is a front view of the backpack of FIG. 1.

FIG. 3 is a right side view of the backpack of FIG. 1.

FIG. 4 is rear view of the backpack of FIG. 1.

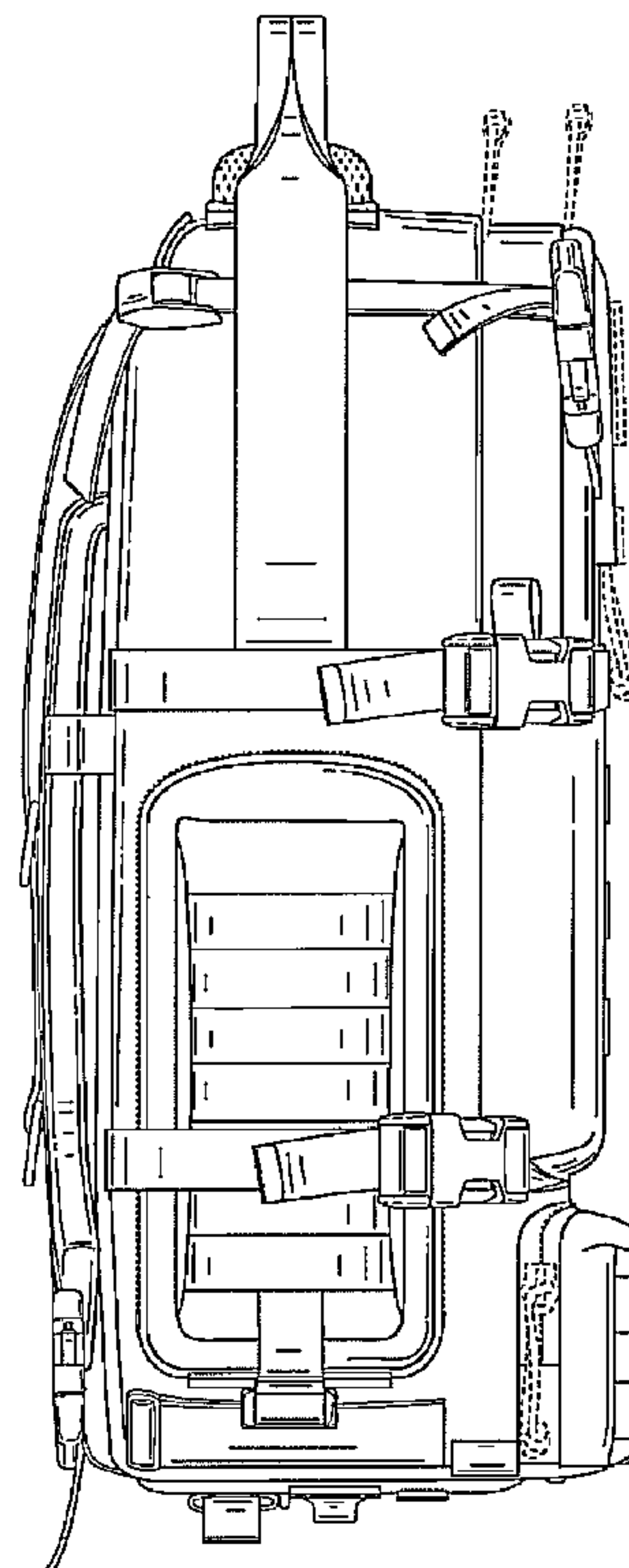
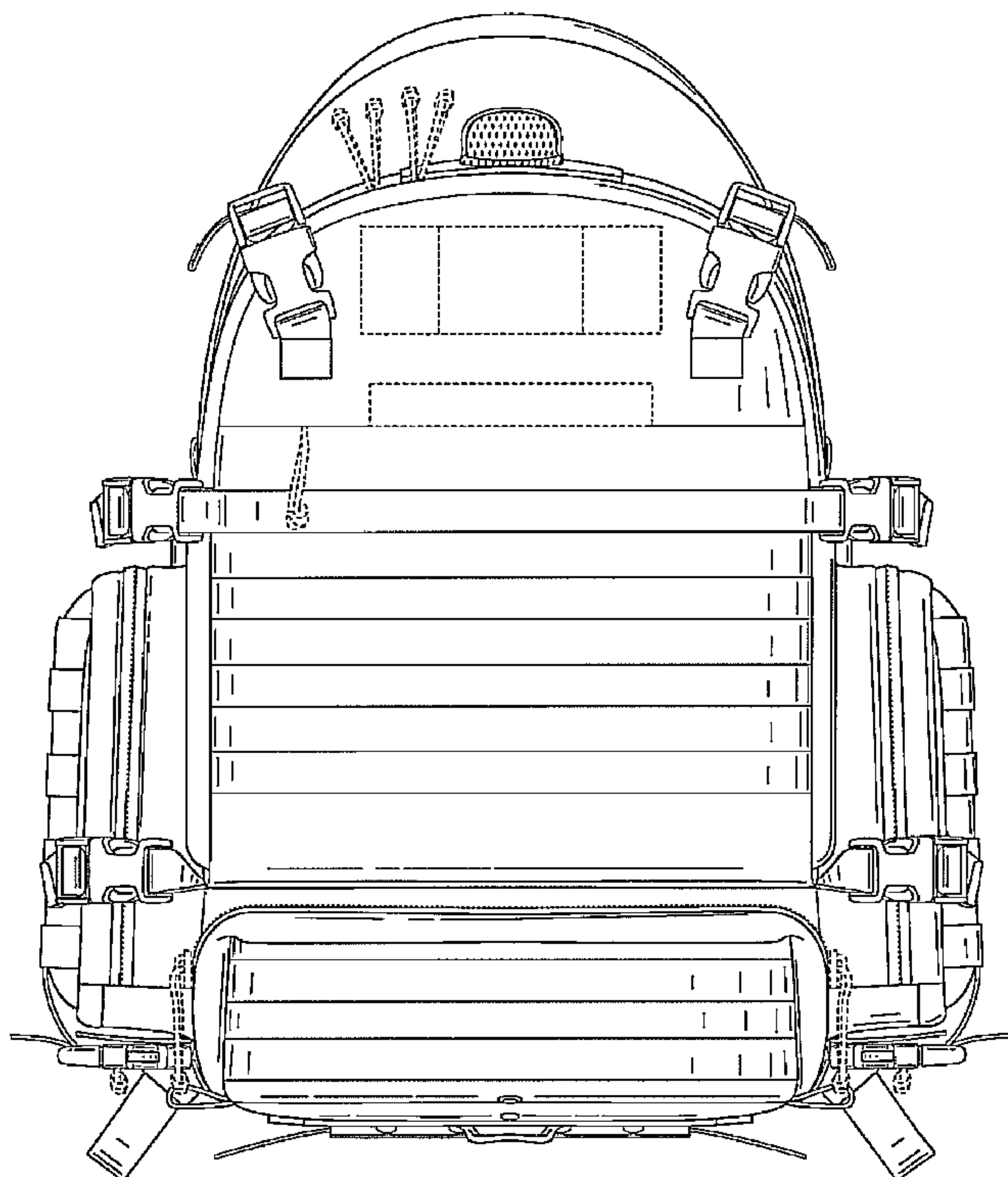
FIG. 5 is a left side view of the backpack of FIG. 1.

FIG. 6 is a top view of the backpack of FIG. 1; and,

FIG. 7 is a bottom view of the backpack of FIG. 1.

Those elements shown in dashed lines are included for the purpose of illustrating environment and form no part of the claimed design.

**1 Claim, 7 Drawing Sheets**



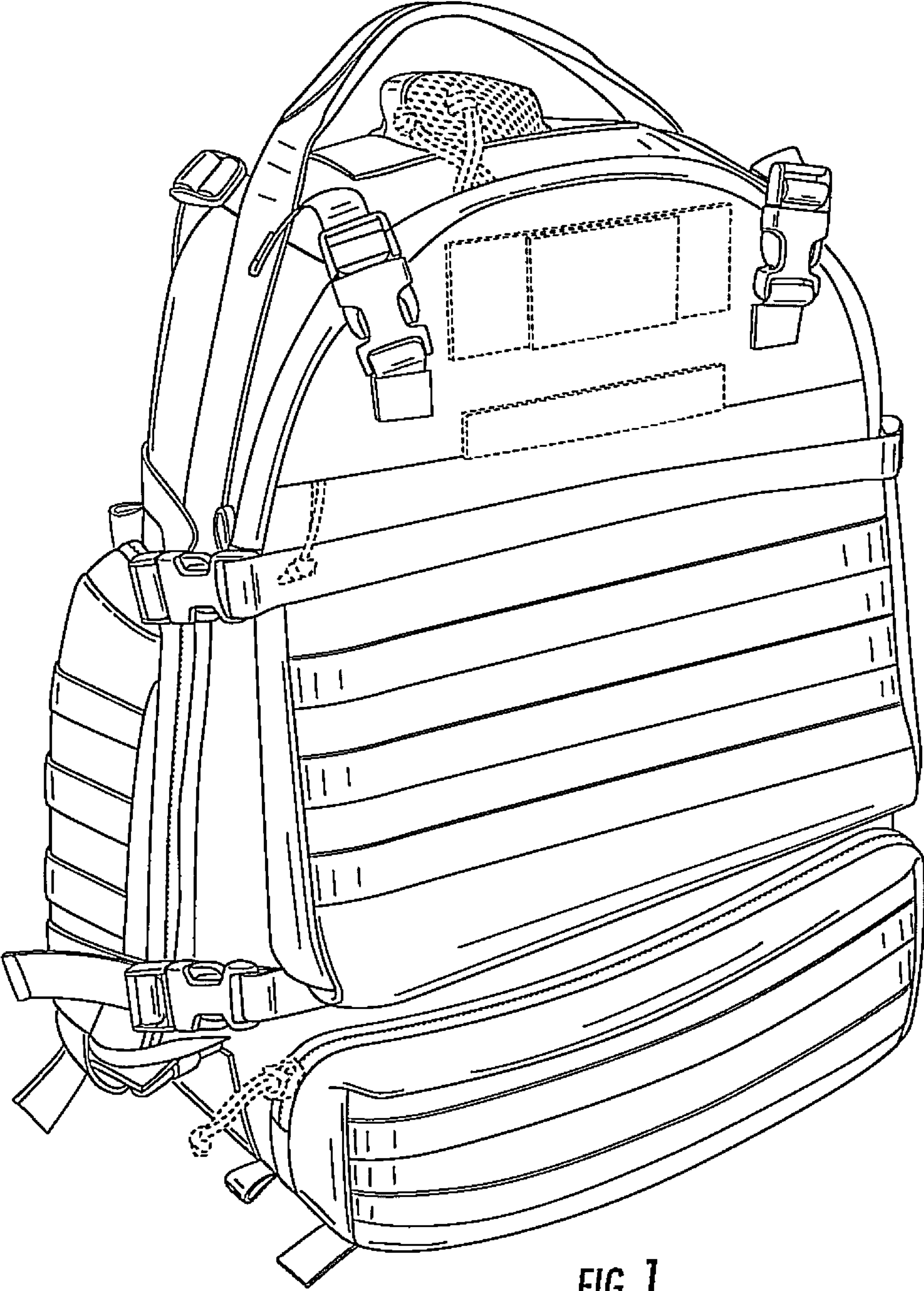


FIG. 1

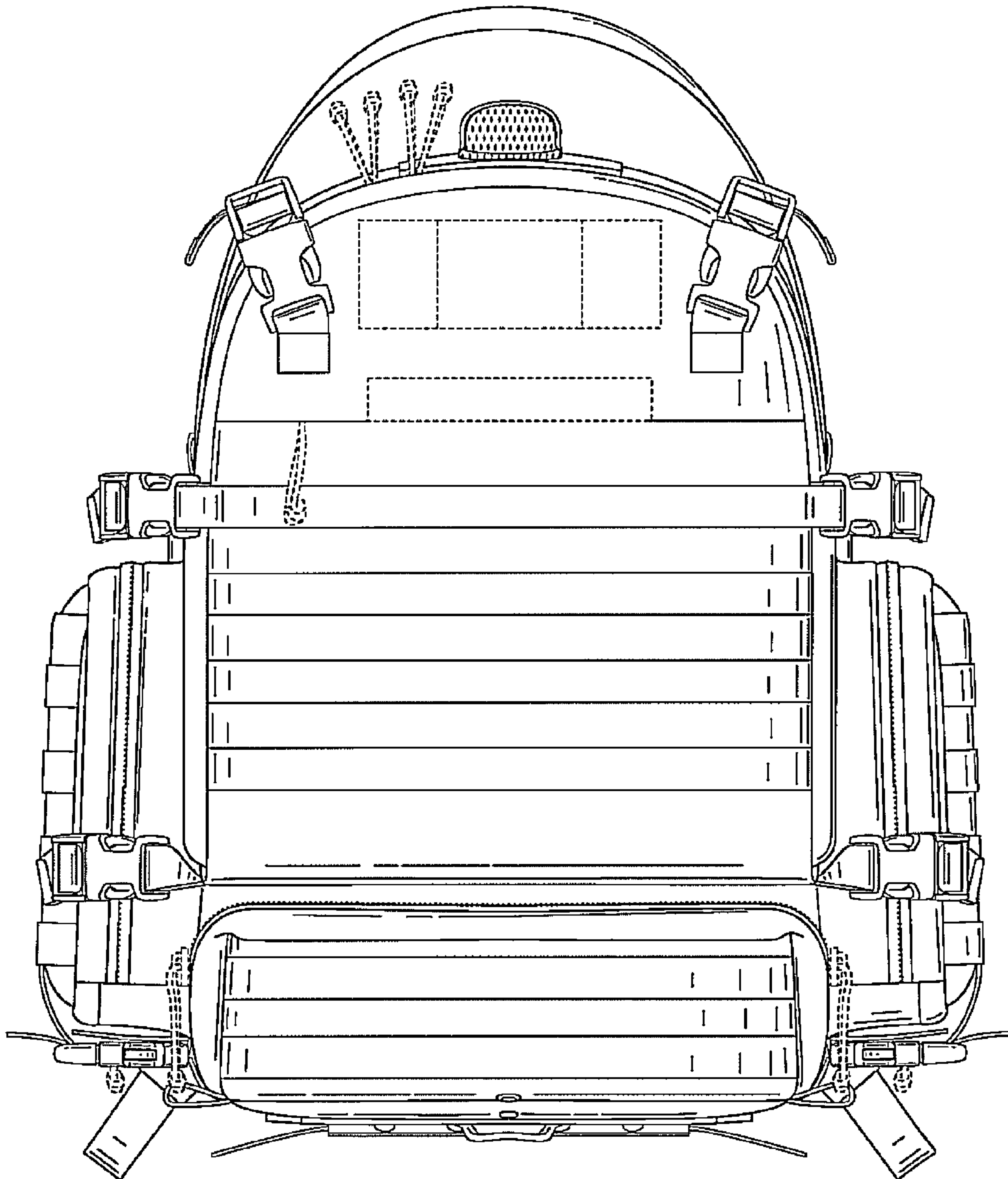


FIG. 2

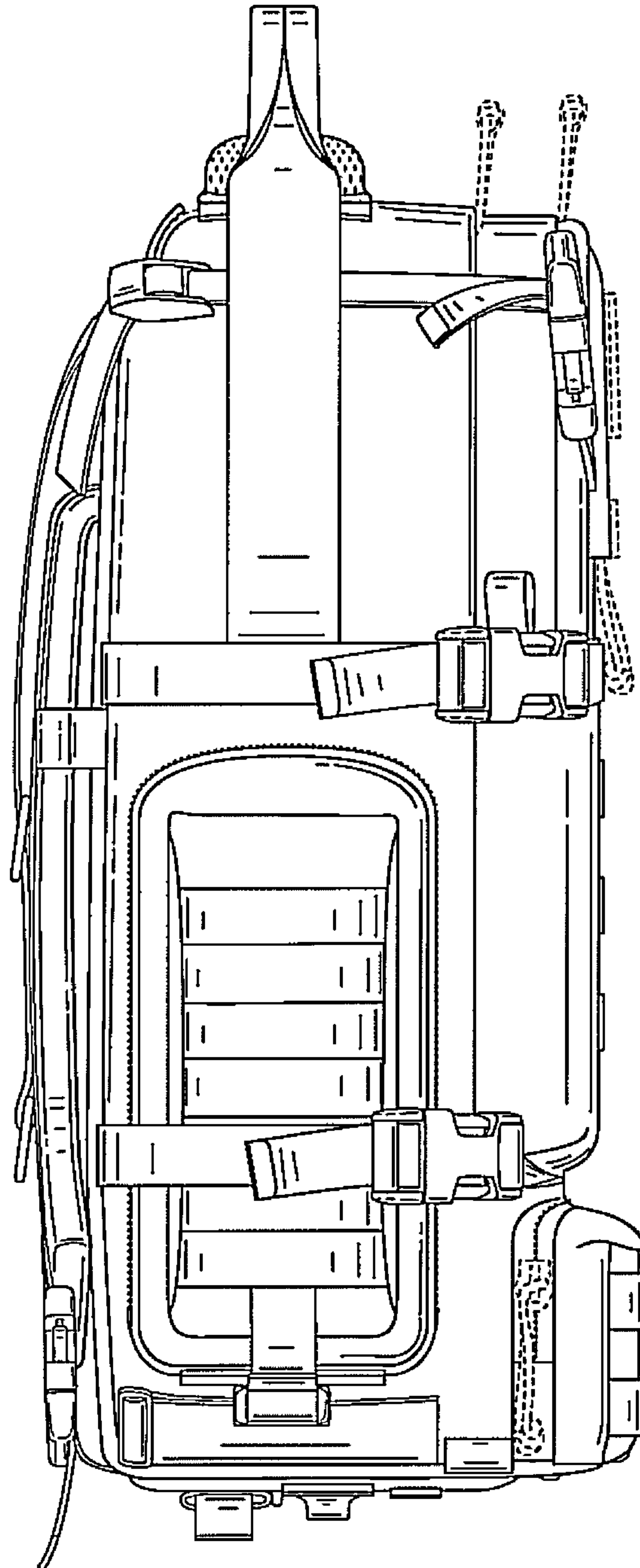


FIG. 3



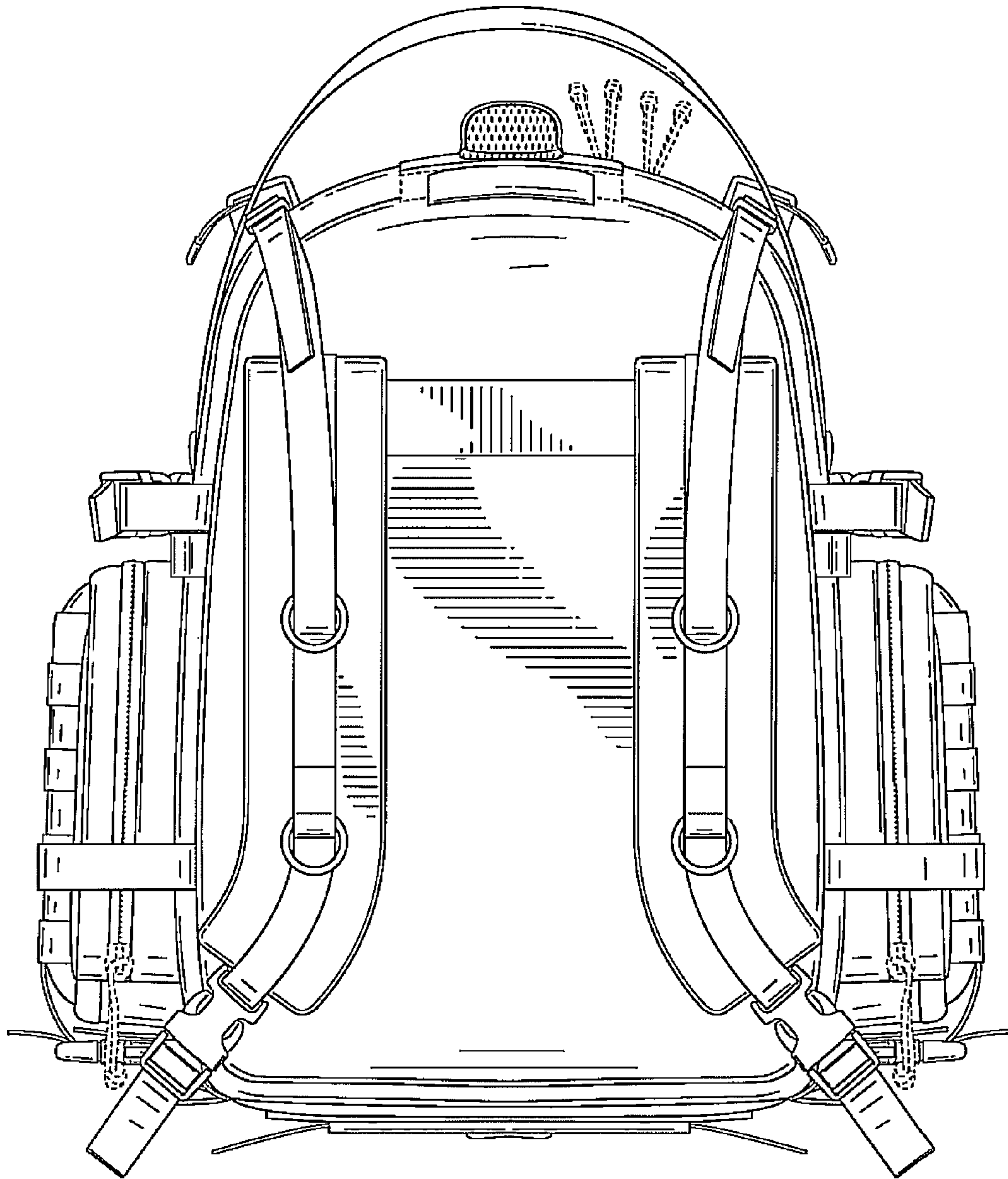


FIG. 4

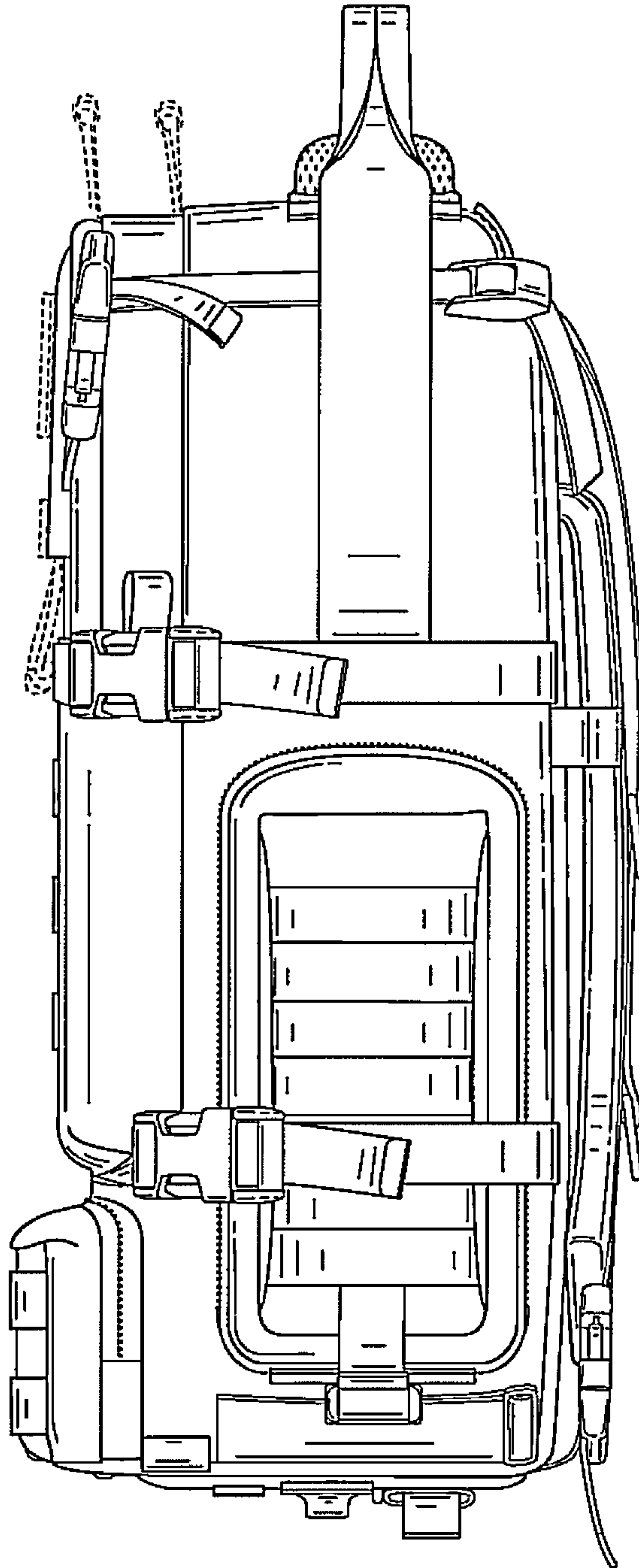


FIG. 5

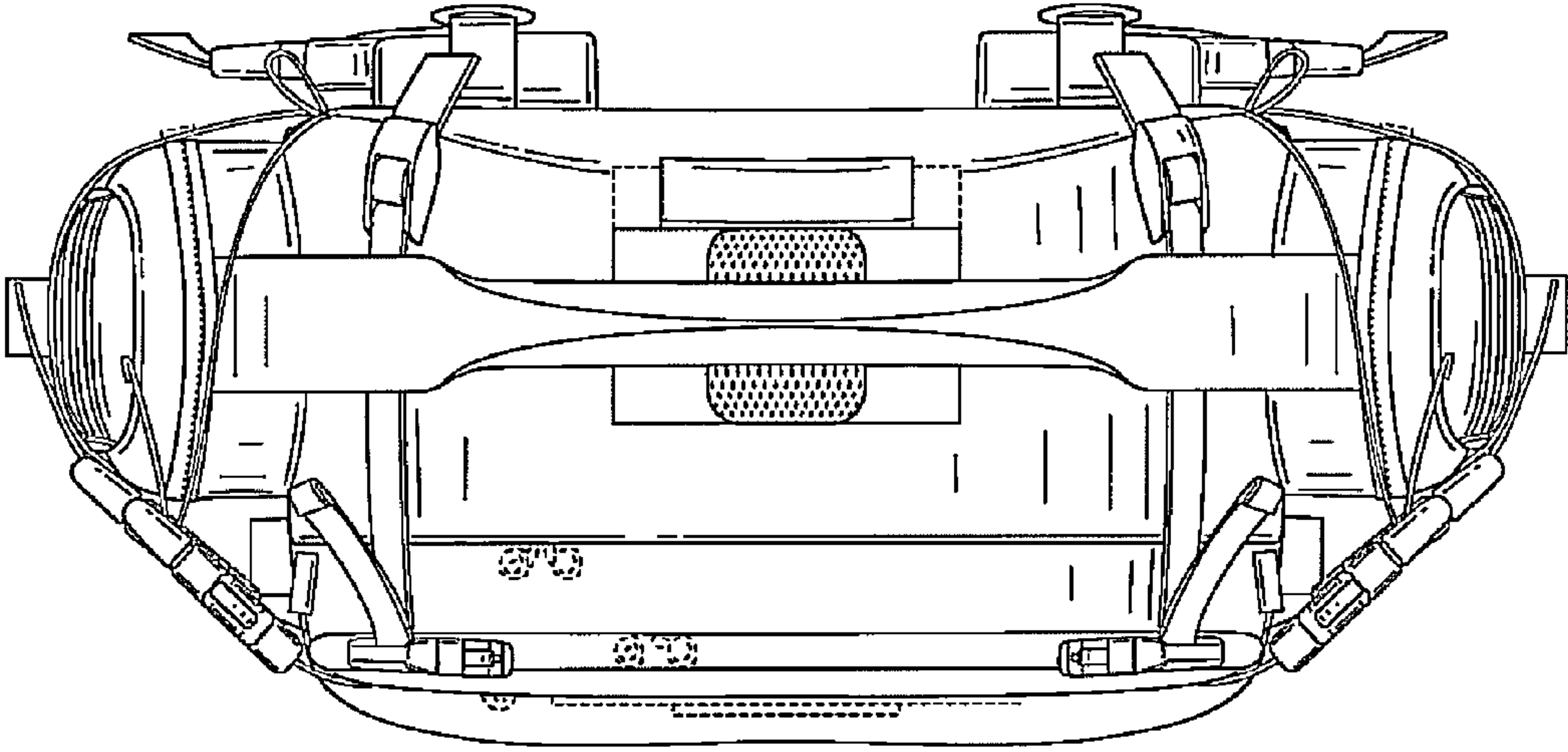


FIG. 6

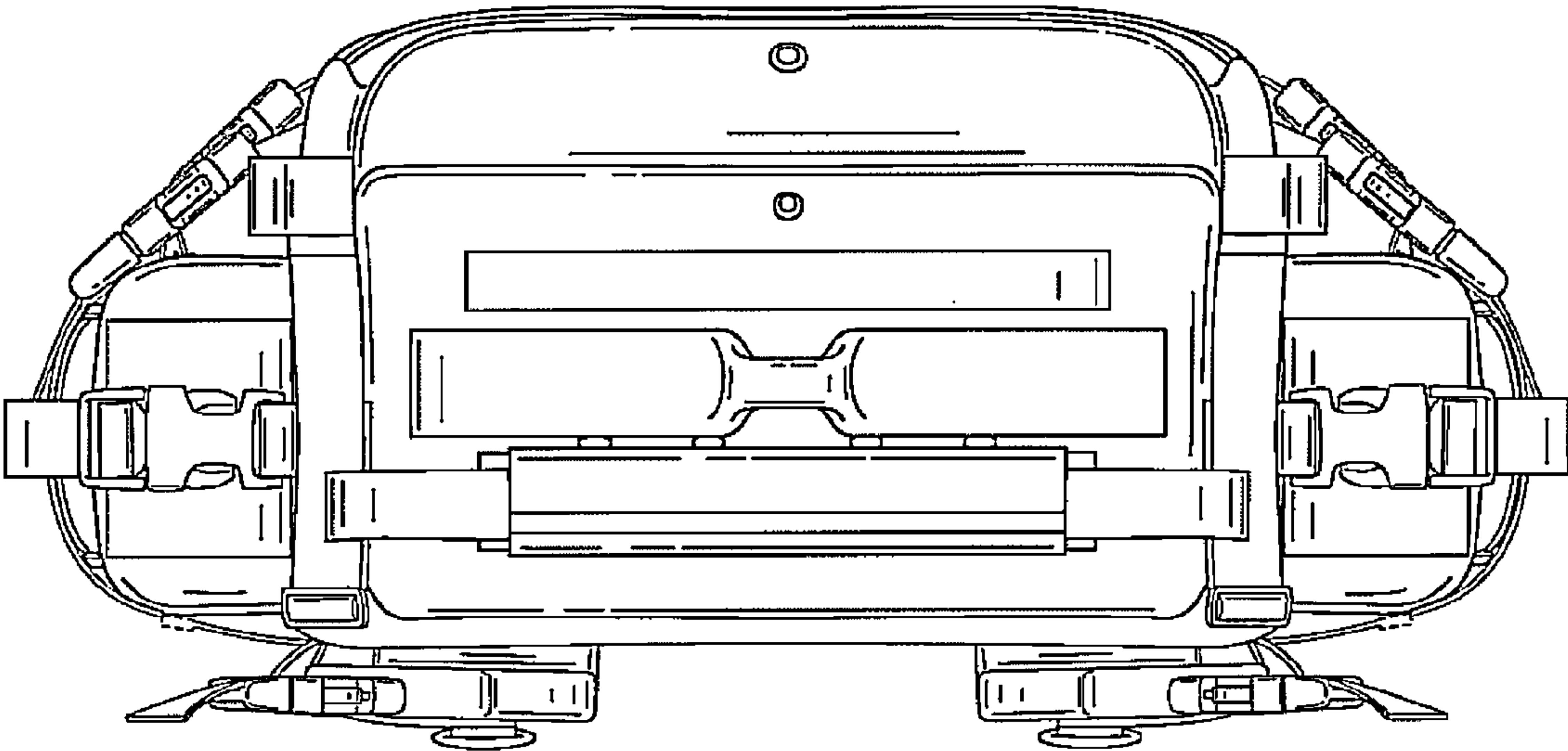


FIG. 7