

US00D698541S

(12) **United States Design Patent**
Schulte, II

(10) **Patent No.:** **US D698,541 S**
(45) **Date of Patent:** **** Feb. 4, 2014**

(54) **SHOULDER-MOUNTED CHILD HARNESS**
(71) Applicant: **Phillip C. Schulte, II**, Keokuk, IA (US)
(72) Inventor: **Phillip C. Schulte, II**, Keokuk, IA (US)
(**) Term: **14 Years**
(21) Appl. No.: **29/444,799**

6,098,856	A *	8/2000	Reilly	224/160
6,241,136	B1	6/2001	Harriss	
6,345,745	B1 *	2/2002	Harriss	224/158
6,651,594	B1	11/2003	Bagwell	
6,901,932	B2	6/2005	Chapman	
7,000,438	B1	2/2006	Cooper et al.	
7,137,394	B2 *	11/2006	Graupner et al.	128/869
8,052,546	B1 *	11/2011	Nagel et al.	473/450
8,056,779	B1 *	11/2011	Brunwin	224/160
2010/0084445	A1 *	4/2010	Schwartz	224/159

* cited by examiner

(22) Filed: **Feb. 4, 2013**
(51) **LOC (10) Cl.** **03-99**
(52) **U.S. Cl.**
USPC **D3/213**
(58) **Field of Classification Search**
USPC D3/213, 214, 215, 216; D29/100,
D29/101.1, 101.2, 101.3, 101.4, 101.5, 124;
224/158, 159, 160, 161, 264, 270, 907;
119/770; 446/28; 128/869; 473/450,
473/453, 464

Primary Examiner — Caron D Veynar
Assistant Examiner — Martie K Holtje
(74) *Attorney, Agent, or Firm* — Montgomery Patent & Design; Robert C. Montgomery

See application file for complete search history.

(57) **CLAIM**
The ornamental design for a shoulder-mounted child harness, as shown and described.

(56) **References Cited**

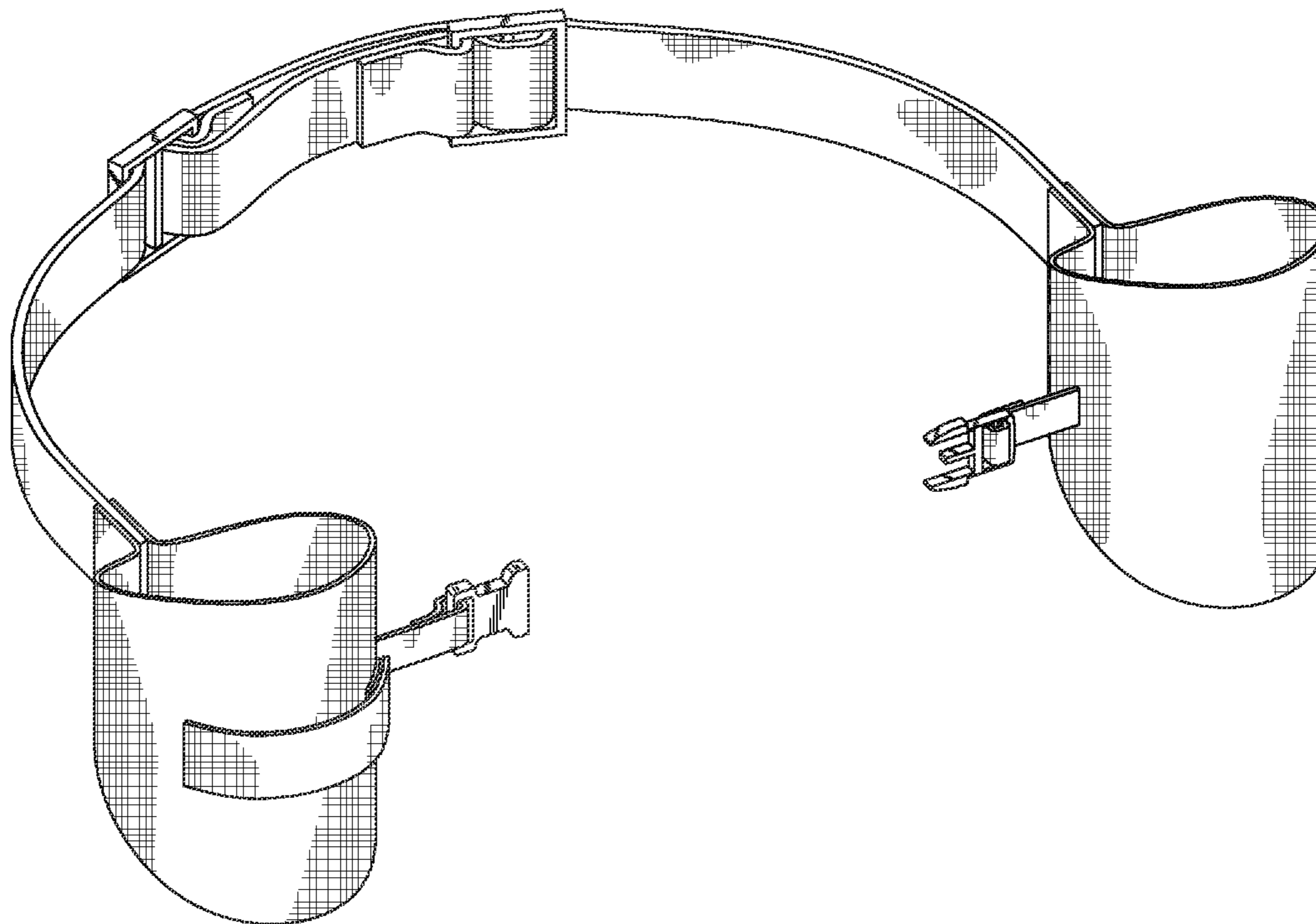
U.S. PATENT DOCUMENTS

4,688,564	A	8/1987	Kelly	
4,751,896	A *	6/1988	Miley	119/770
4,765,279	A	8/1988	Klickstein	
4,993,612	A	2/1991	Quimby, Sr. et al.	
5,005,833	A *	4/1991	Groveman et al.	473/464
5,437,402	A	8/1995	Ring	
5,799,654	A *	9/1998	Kassan	128/869
5,938,548	A *	8/1999	Upshaw	473/453
D429,386	S *	8/2000	Tingler	D29/124

DESCRIPTION

FIG. 1 is a perspective view of a shoulder-mounted child harness, showing my new design;
FIG. 2 is a front view thereof;
FIG. 3 is a rear view thereof;
FIG. 4 is a left hand side view thereof;
FIG. 5 is a right hand side view thereof;
FIG. 6 is a top view thereof; and,
FIG. 7 is a bottom view thereof.
The cross hatched pattern shown in FIGS. 1 through 7 is understood to be continuous throughout the surfaces to which it is applied.

1 Claim, 7 Drawing Sheets



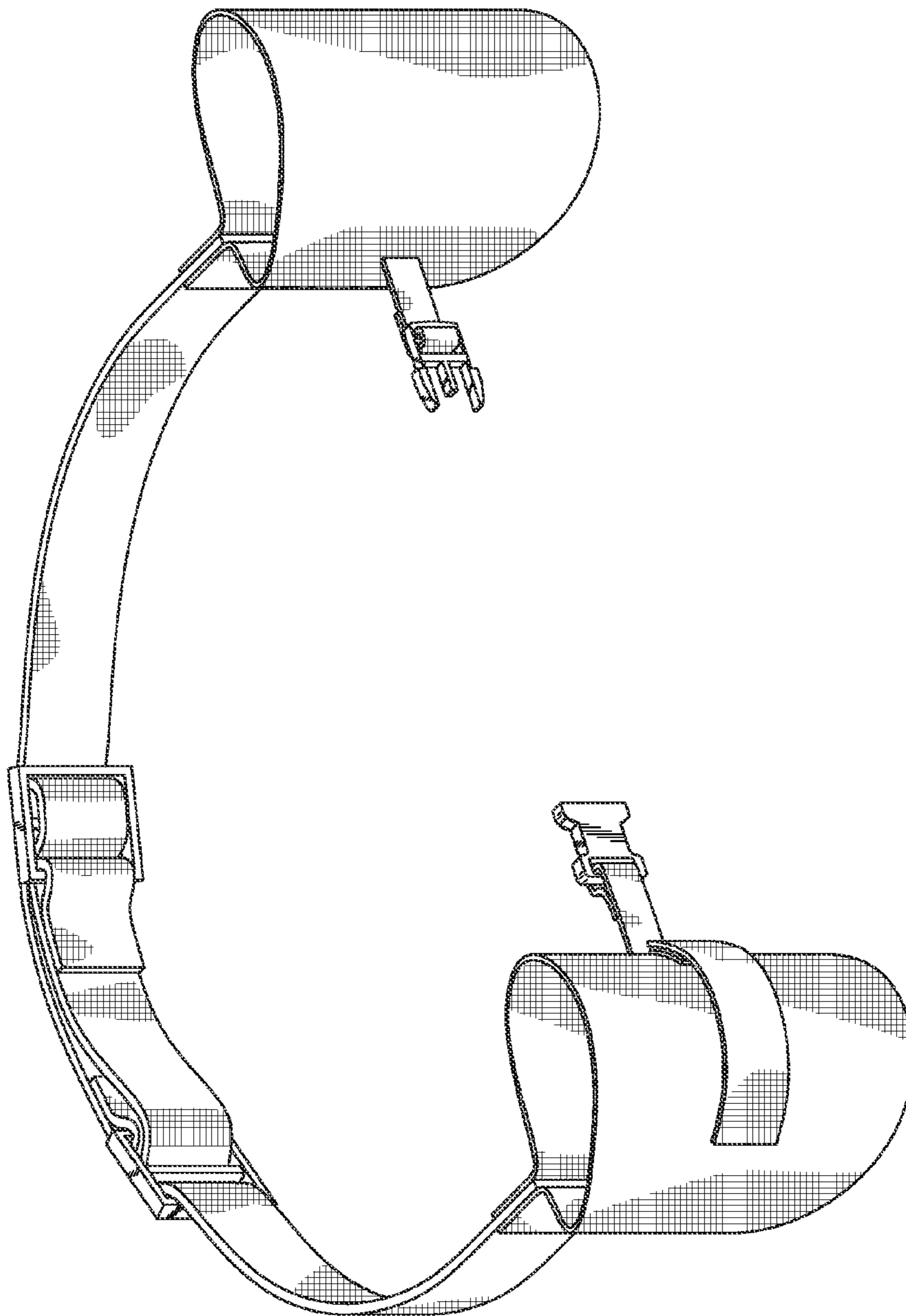


Fig. 1

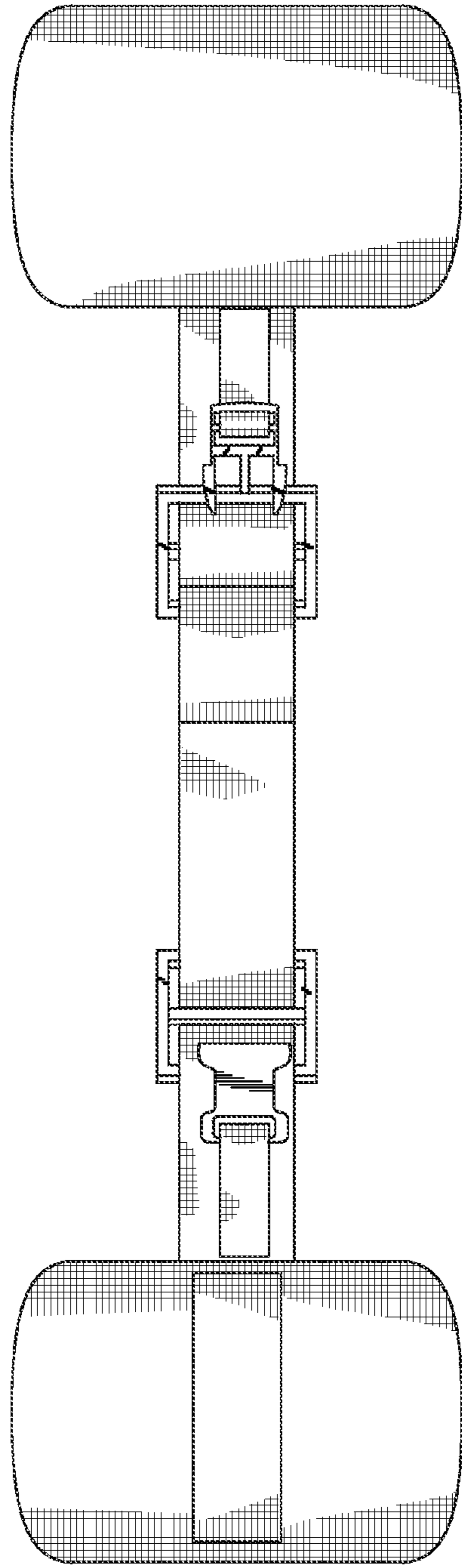


Fig. 2

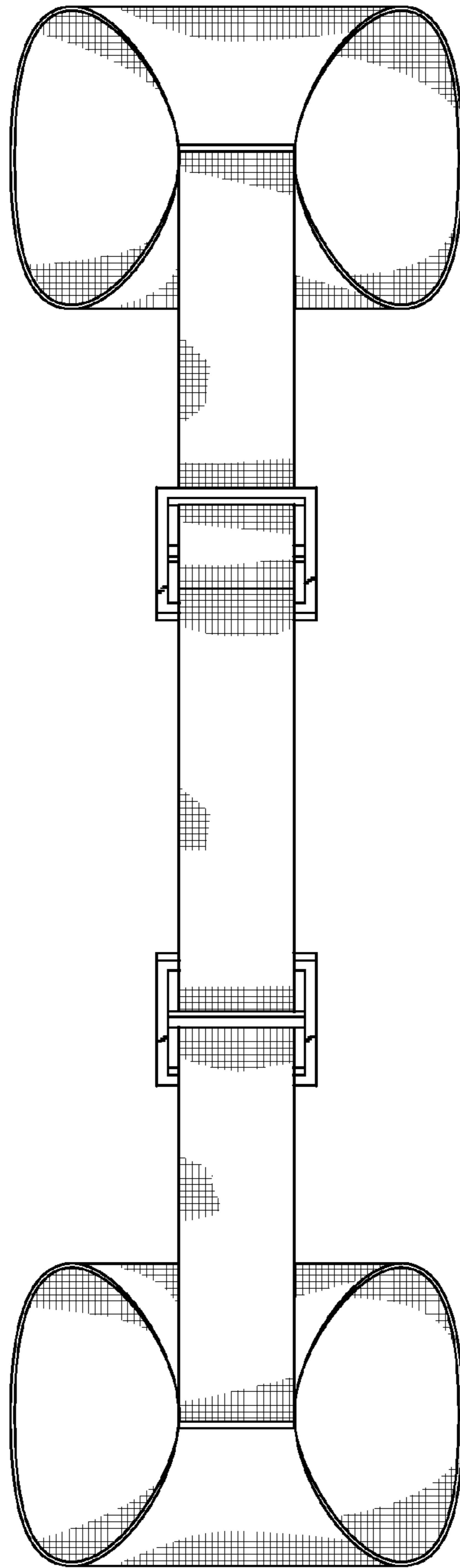


Fig. 3

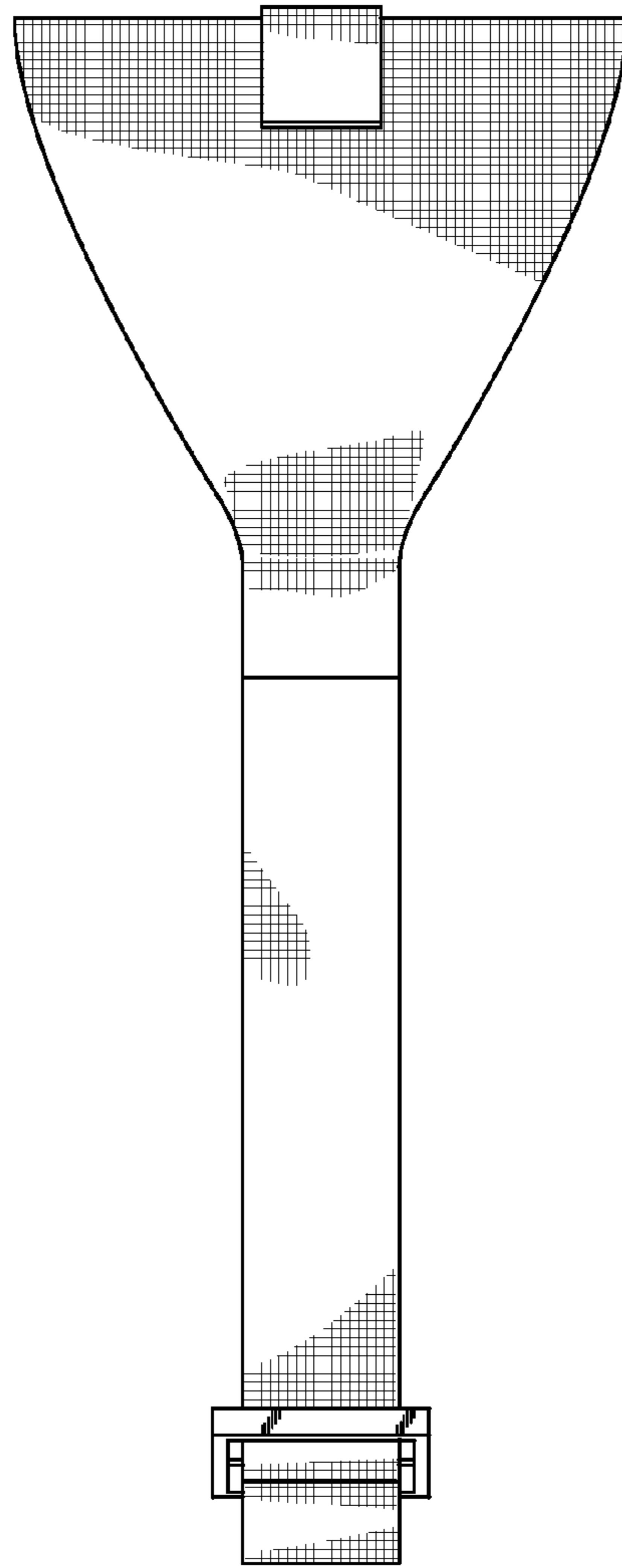


Fig. 4

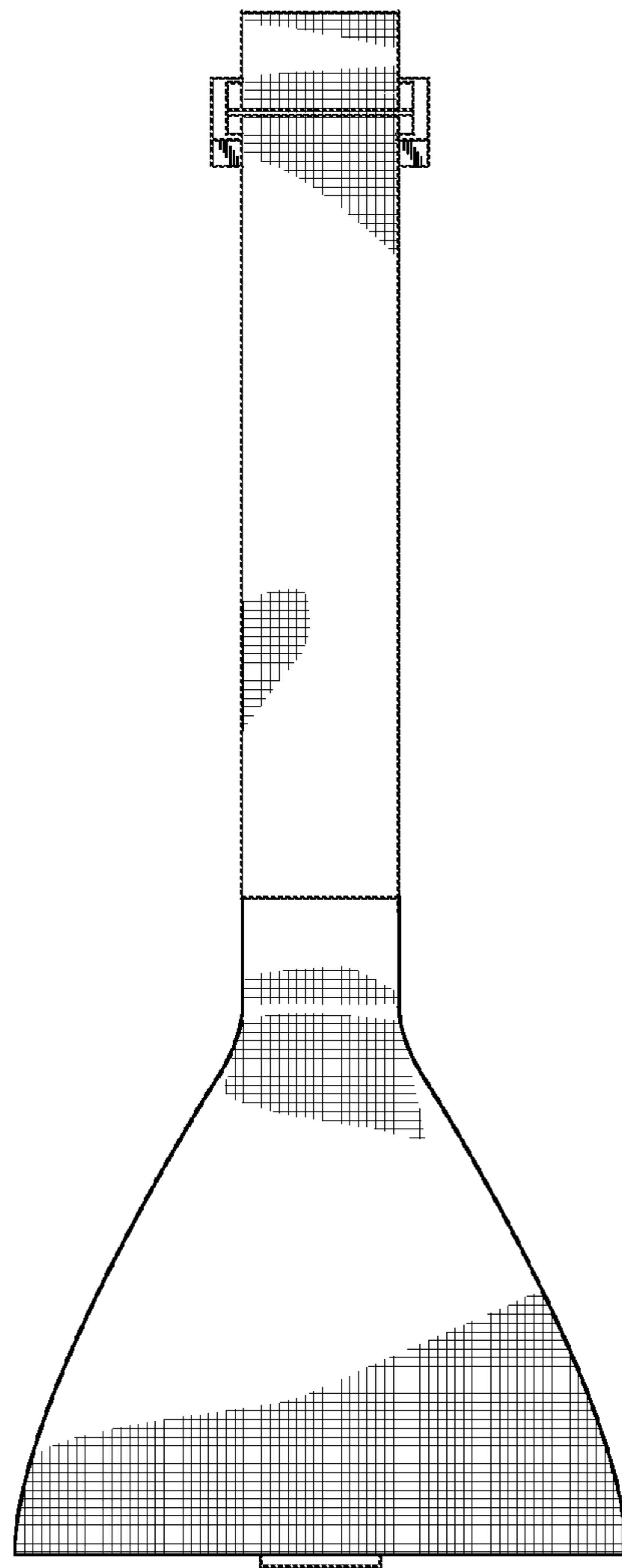


Fig. 5

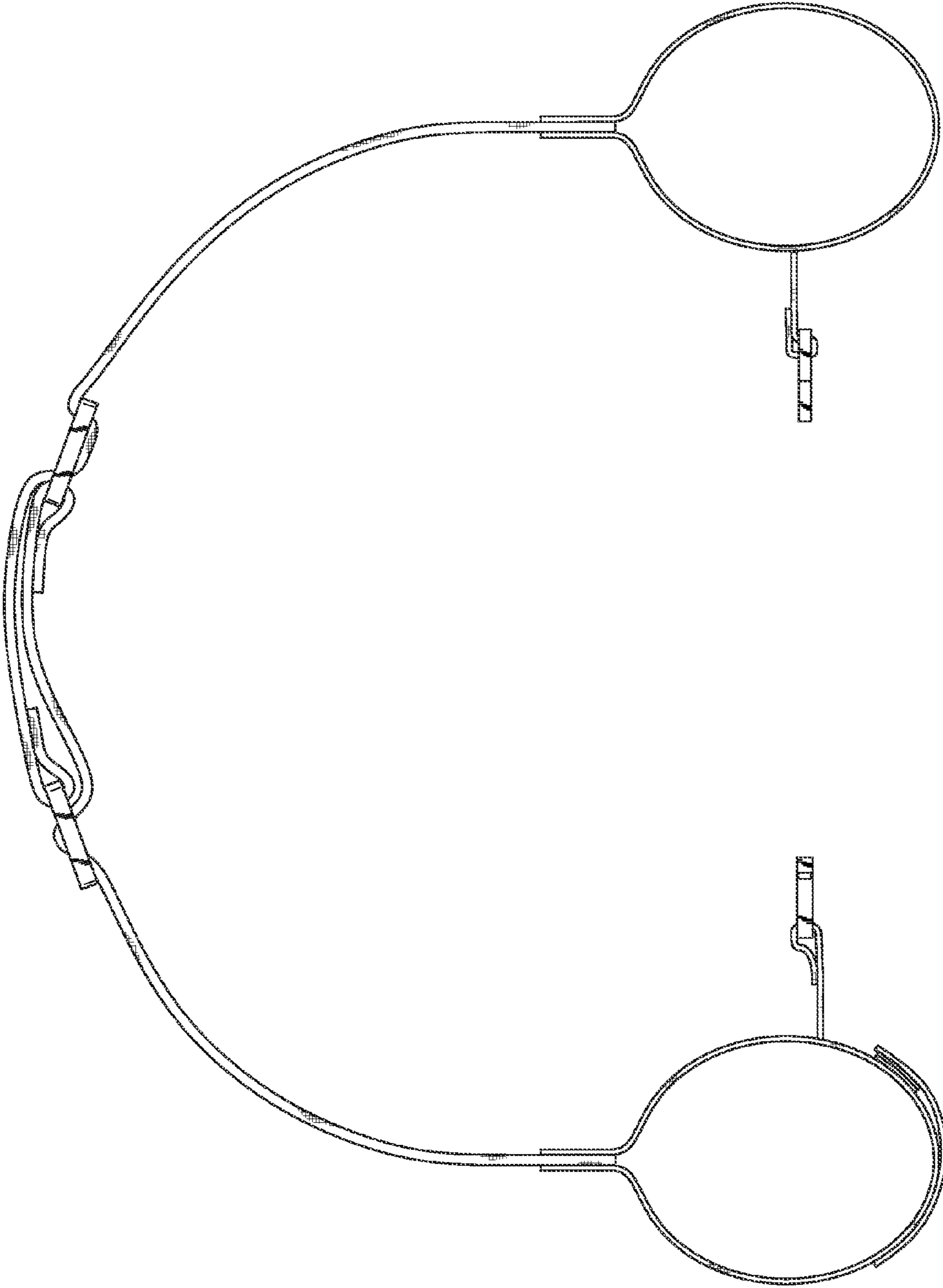


Fig. 6

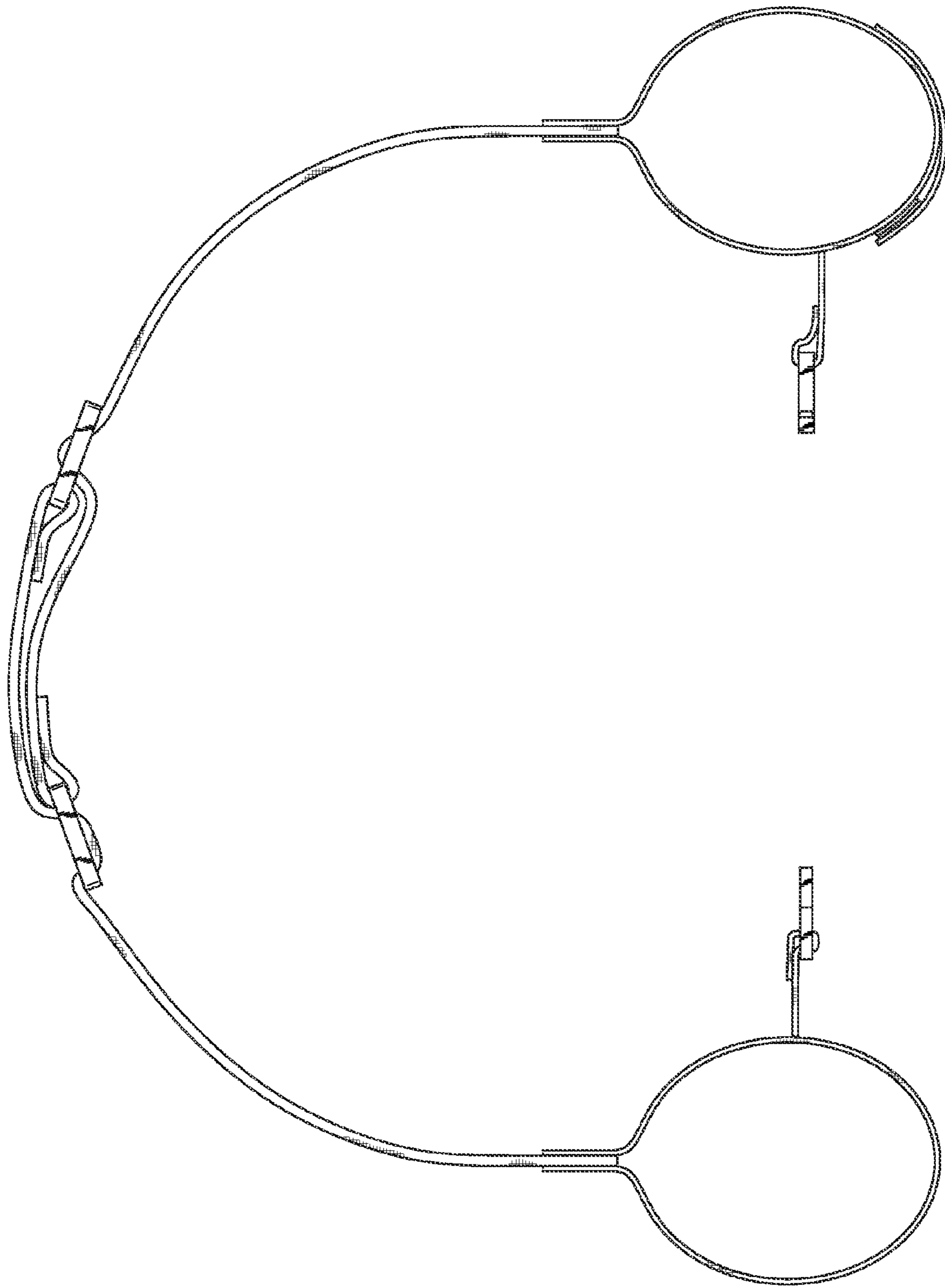


Fig. 7