



US00D698540S

(12) **United States Design Patent**
Priebe et al.

(10) **Patent No.:** **US D698,540 S**

(45) **Date of Patent:** **** Feb. 4, 2014**

(54) **MEDICINE CONTAINER**

(71) Applicant: **Apothecary Products, Inc.**, Burnsville, MN (US)

(72) Inventors: **Robert N. Priebe**, Bloomington, MN (US); **Terrance O. Noble**, Burnsville, MN (US)

(73) Assignee: **Apothecary Products, Inc.**, Burnsville, MN (US)

(**) Term: **14 Years**

(21) Appl. No.: **29/449,068**

(22) Filed: **Mar. 14, 2013**

(51) **LOC (10) CL.** **03-01**

(52) **U.S. CL.**
USPC **D3/203.3**

(58) **Field of Classification Search**
USPC D3/201–205, 264, 294; 206/528–540;
D10/40

See application file for complete search history.

(56) **References Cited**

U.S. PATENT DOCUMENTS

D466,801	S *	12/2002	Holland	D3/203.3
7,387,207	B2 *	6/2008	Priebe et al.	206/532
D587,005	S *	2/2009	Gardner	D3/203.3
7,494,012	B1 *	2/2009	Priebe et al.	206/538
D627,151	S *	11/2010	Young et al.	D3/203.3
8,381,911	B2 *	2/2013	Buchner et al.	206/538
D684,355	S *	6/2013	Priebe	D3/203.3
8,459,459	B2 *	6/2013	Noble et al.	206/538

* cited by examiner

Primary Examiner — Catheri Oliver-Garcia

(74) *Attorney, Agent, or Firm* — Merchant & Gould P.C.

(57) **CLAIM**

The ornamental design for a medicine container, as shown and described.

DESCRIPTION

FIG. 1 is a top perspective view of a first medicine container showing our design.

FIG. 2 is a front elevational view of the medicine container of FIG. 1.

FIG. 3 is a rear view opposite the view of FIG. 2.

FIG. 4 is an end elevational view of the right end of FIG. 2.

FIG. 5 is an end elevational view of the left end of FIG. 2.

FIG. 6 is a top plan view of the container of FIG. 1.

FIG. 7 is a bottom plan view of the container of FIG. 1.

FIG. 8 is a top perspective view of a second medicine container showing our design.

FIG. 9 is a front elevational view of the medicine container of FIG. 8.

FIG. 10 is a rear view opposite the view of FIG. 9.

FIG. 11 is an end elevational view of the right end of FIG. 8.

FIG. 12 is an end elevational view of the left end of FIG. 8.

FIG. 13 is a top plan view of the container of FIG. 8.

FIG. 14 is a bottom plan view of the container of FIG. 8.

FIG. 15 is a top perspective view of a third medicine container showing our design.

FIG. 16 is a front elevational view of the medicine container of FIG. 15.

FIG. 17 is a rear view opposite the view of FIG. 16.

FIG. 18 is an end elevational view of the right end of FIG. 17.

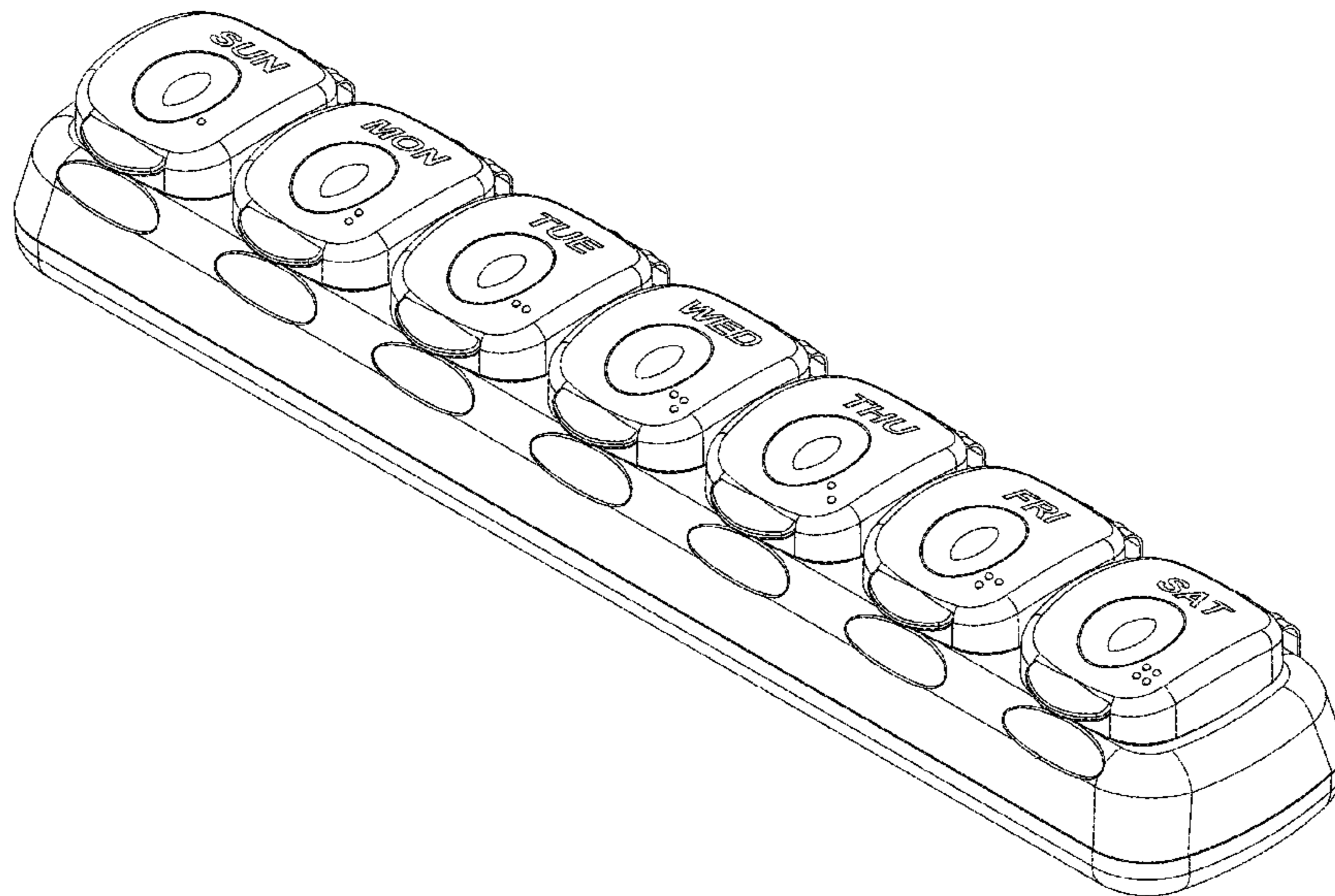
FIG. 19 is an end elevational view of the left end of FIG. 17.

FIG. 20 is a top plan view of the container of FIG. 15; and,

FIG. 21 is a bottom plan view of the container of FIG. 15.

The phantom line showing parts of the drawings is included for purposes of illustrating use and environment and/or optional features and forms no part of the claimed design.

1 Claim, 12 Drawing Sheets



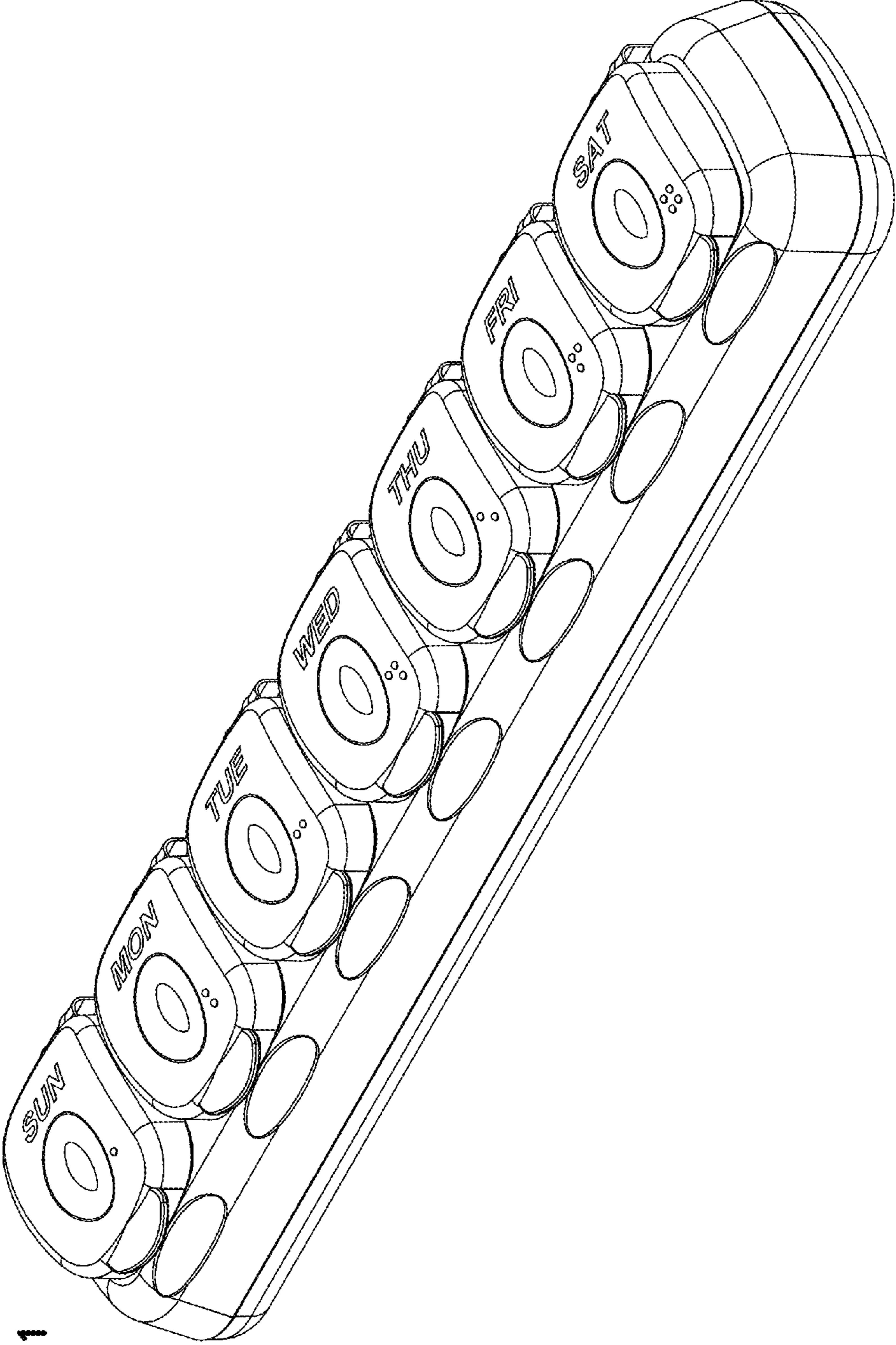


FIG. 1

FIG. 2

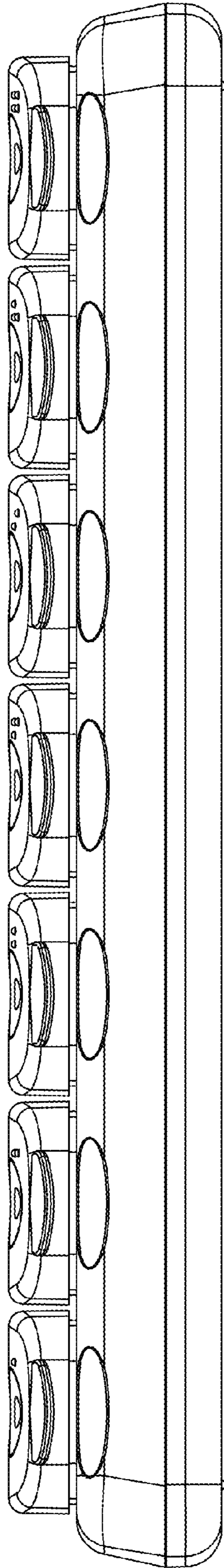


FIG. 3

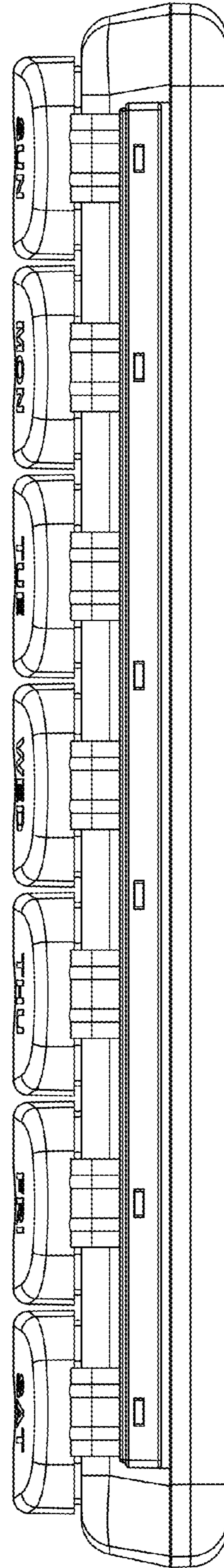


FIG. 4

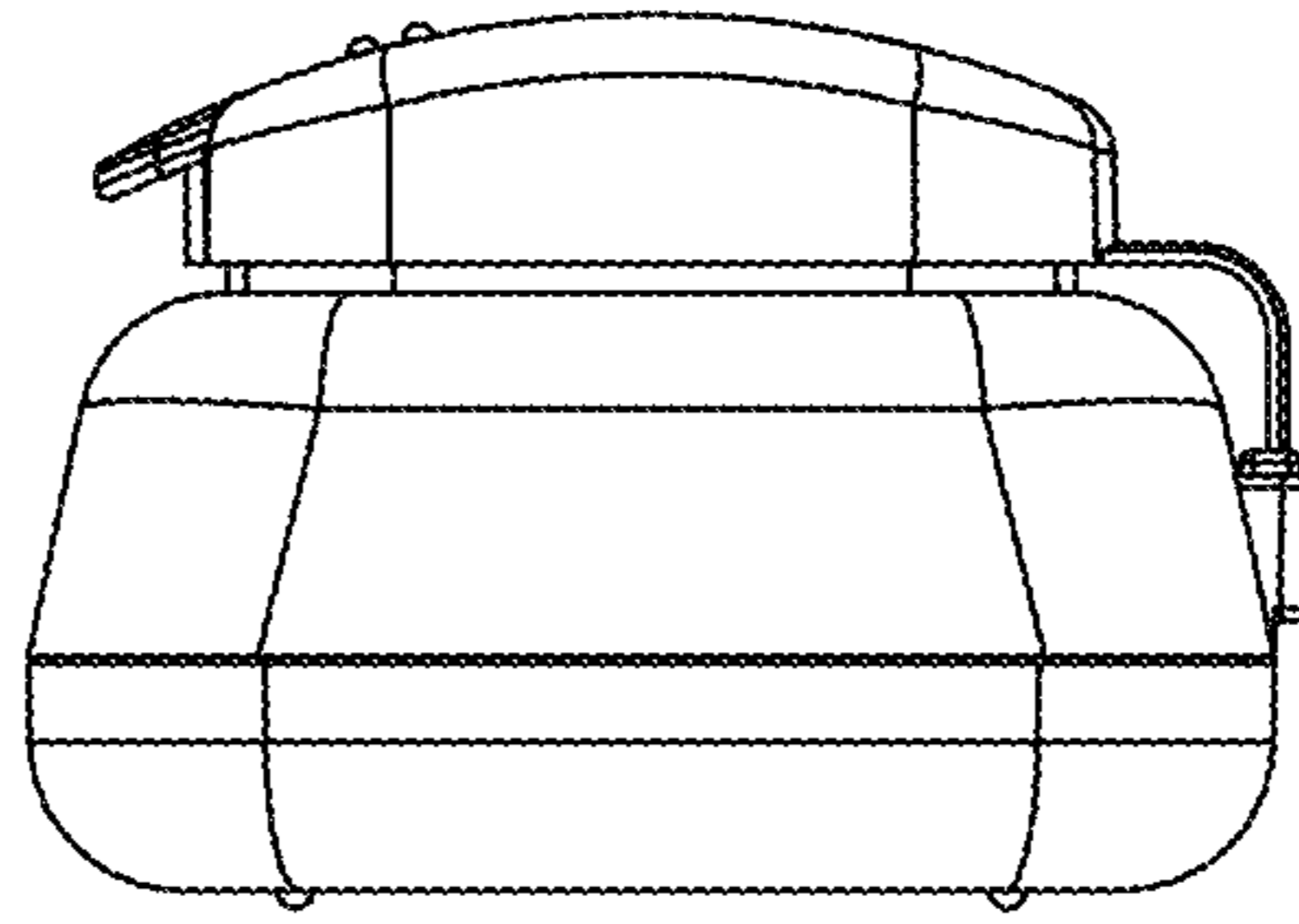


FIG. 5

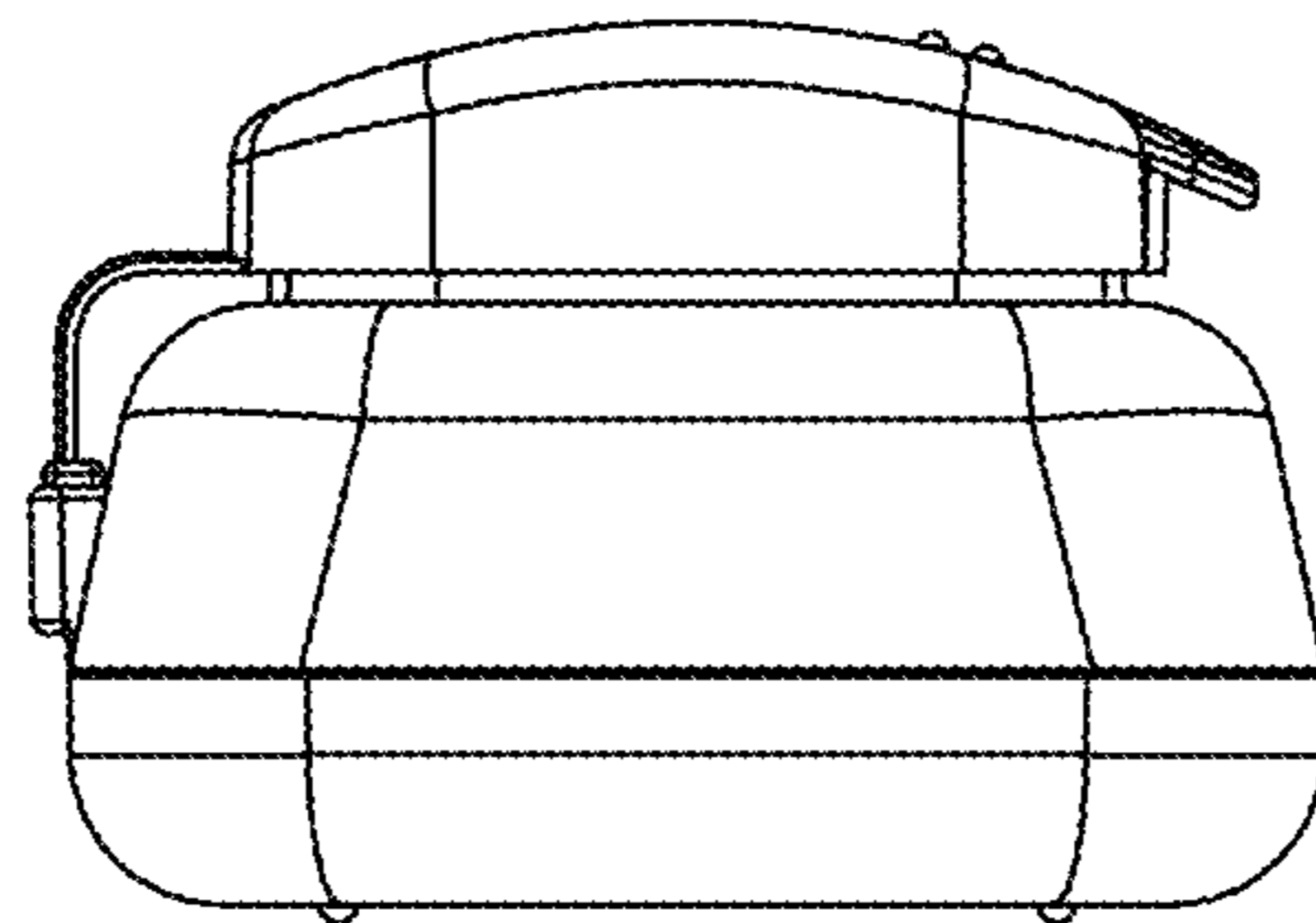


FIG. 6

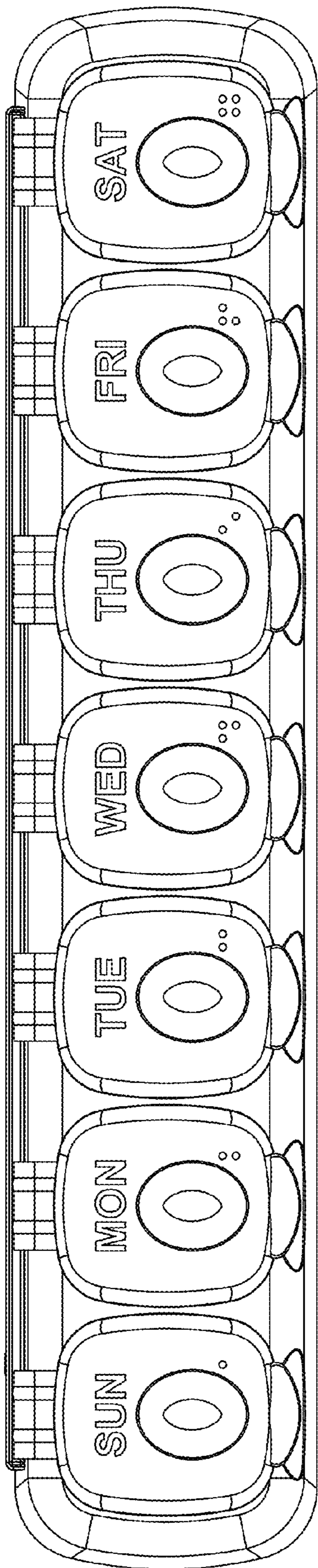
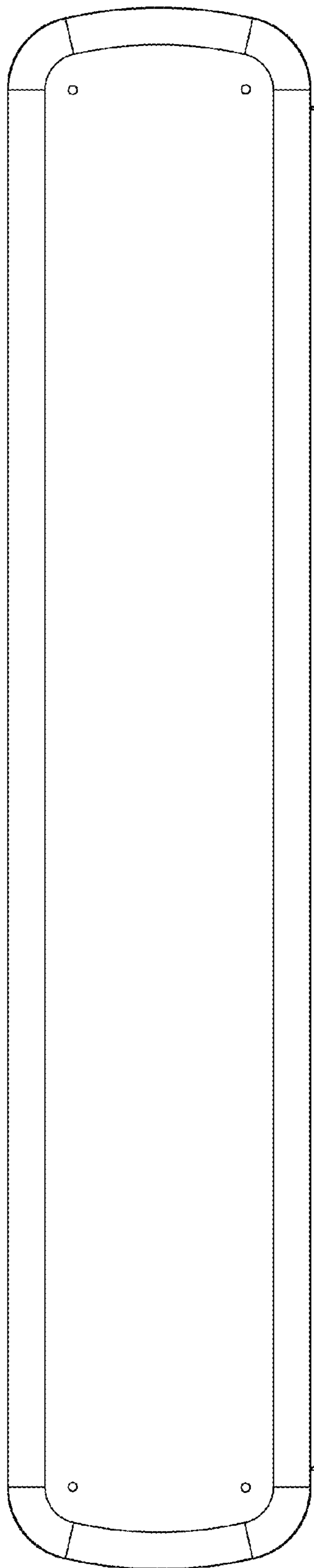


FIG. 7



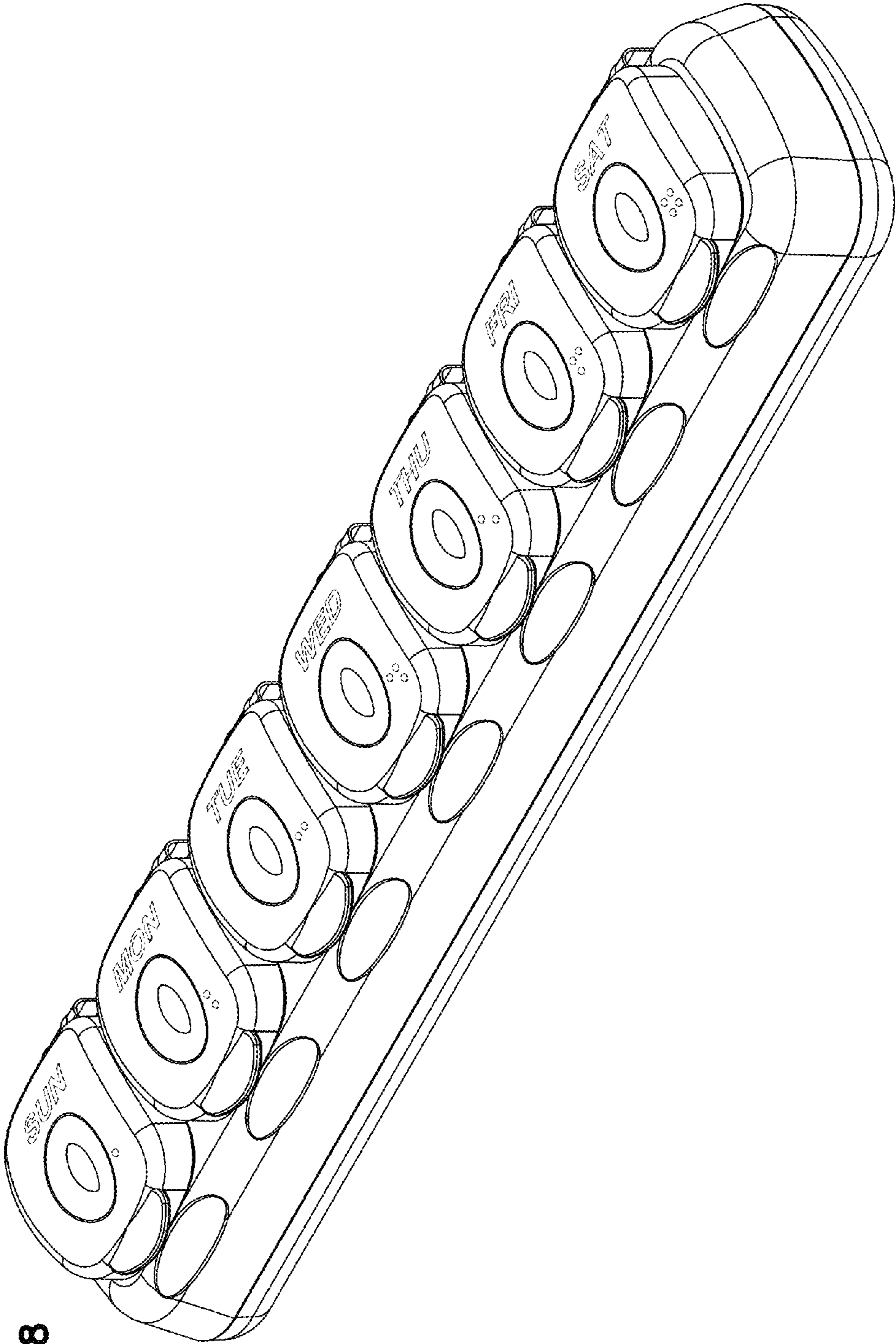


FIG. 8

FIG. 9

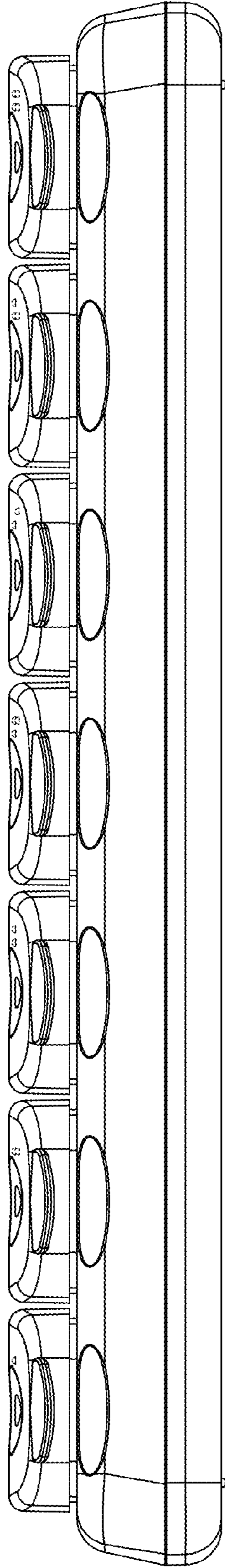


FIG. 10

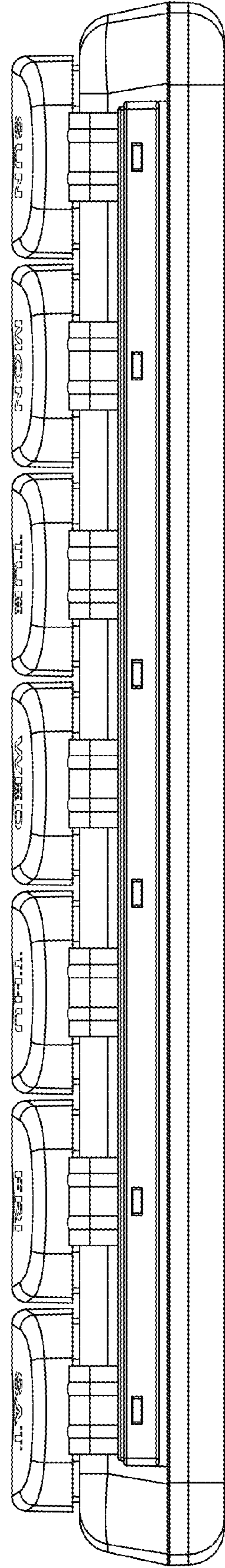


FIG. 11

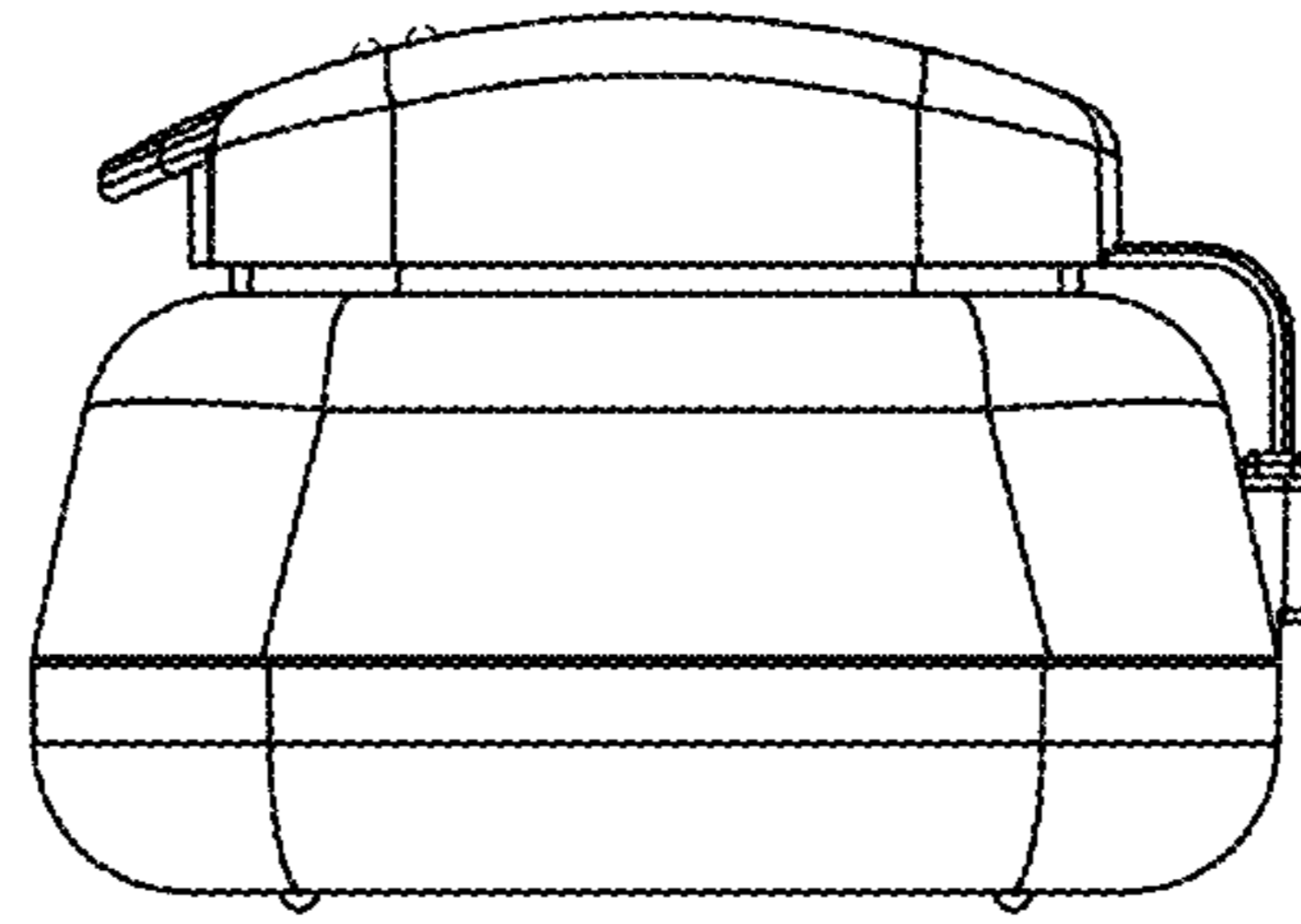


FIG. 12

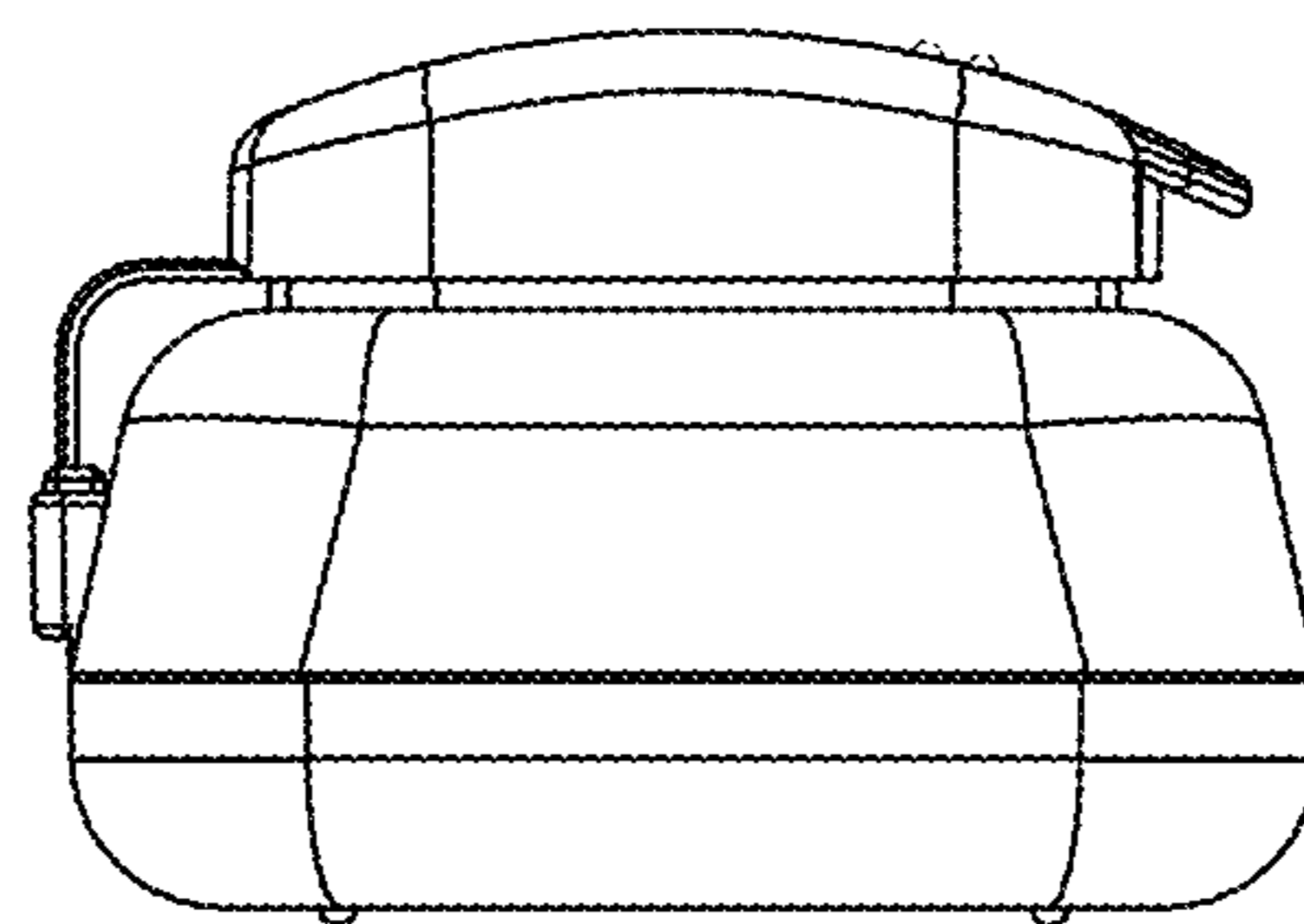


FIG. 13

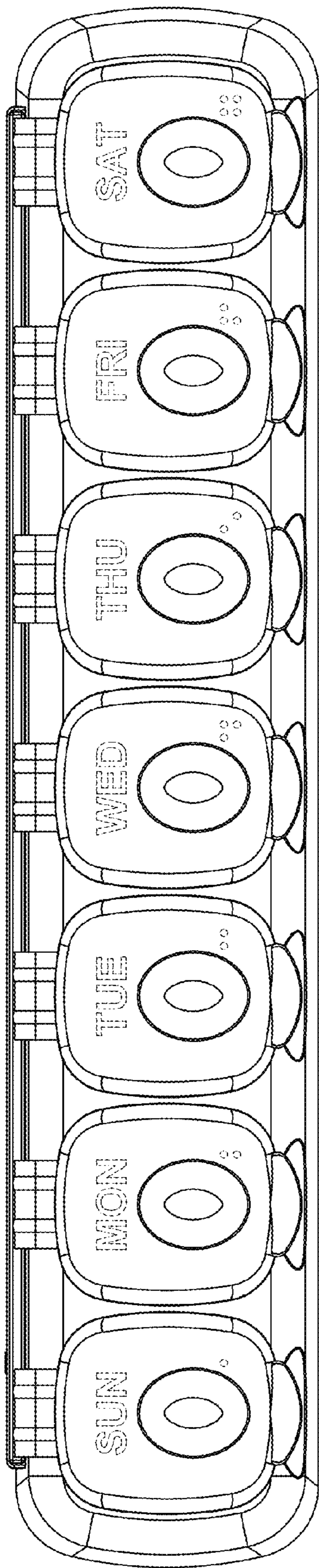
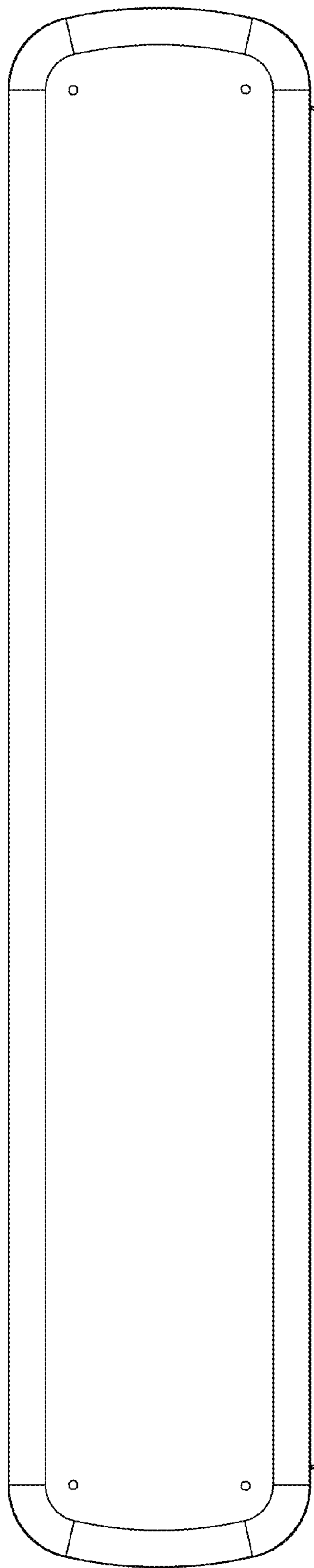


FIG. 14



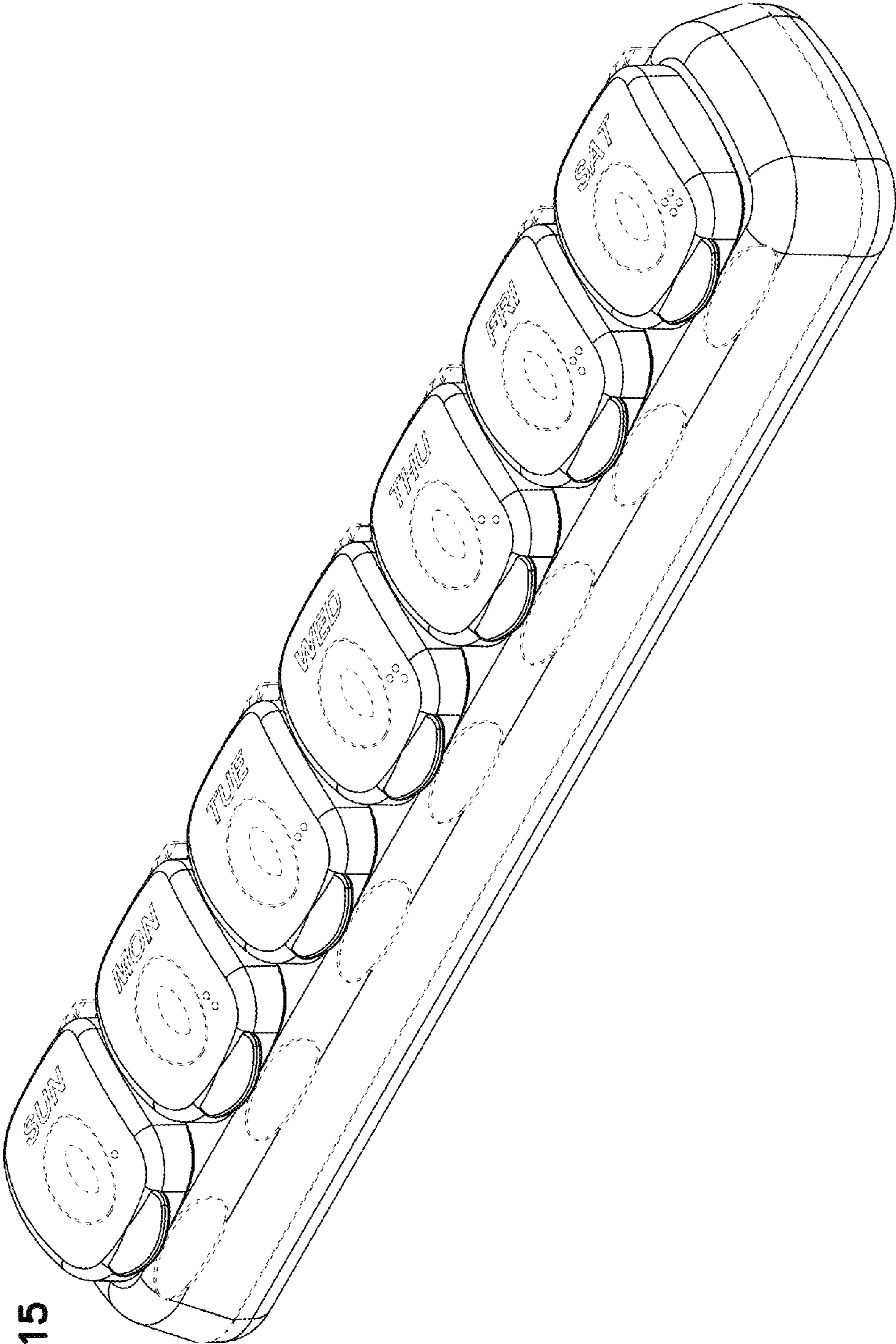


FIG. 15

FIG. 16

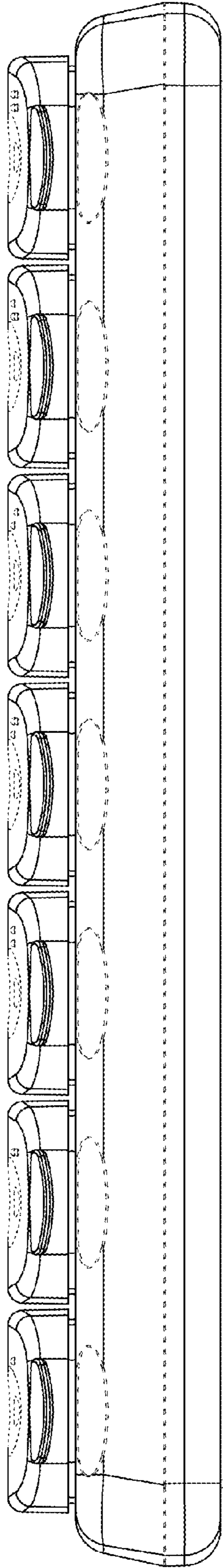


FIG. 17

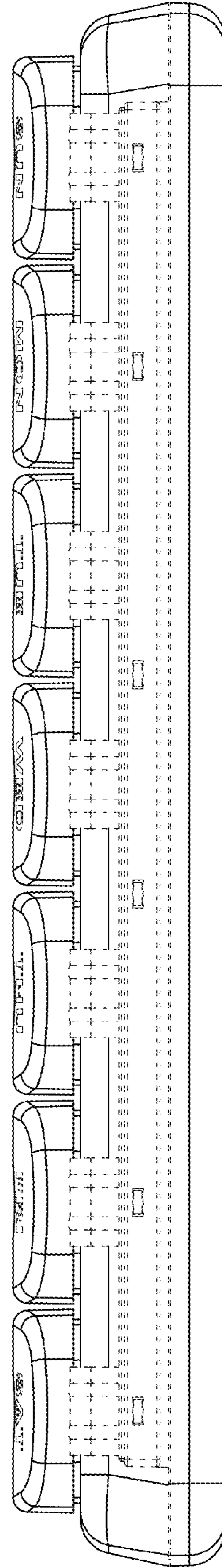


FIG. 18

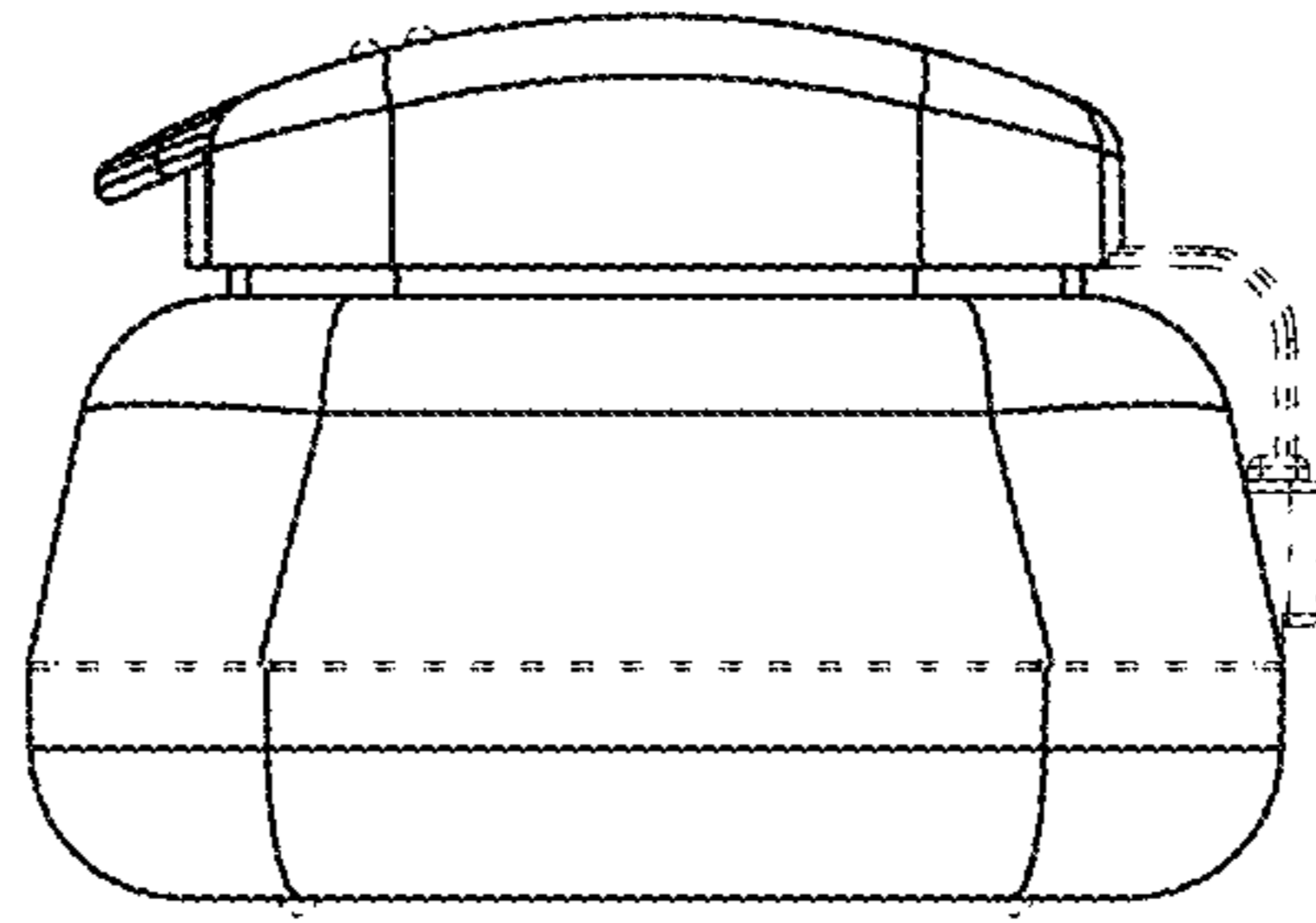


FIG. 19

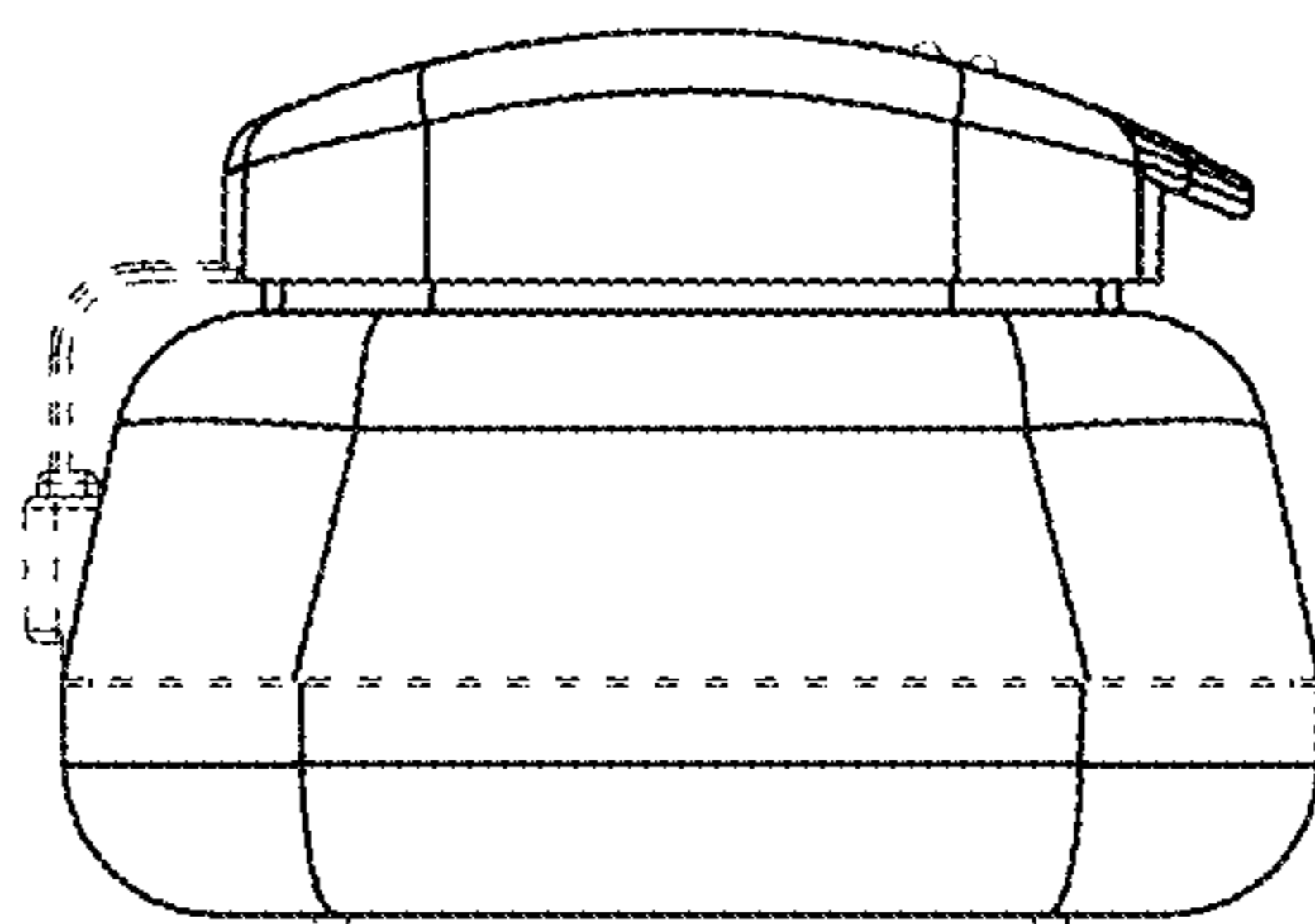


FIG. 20

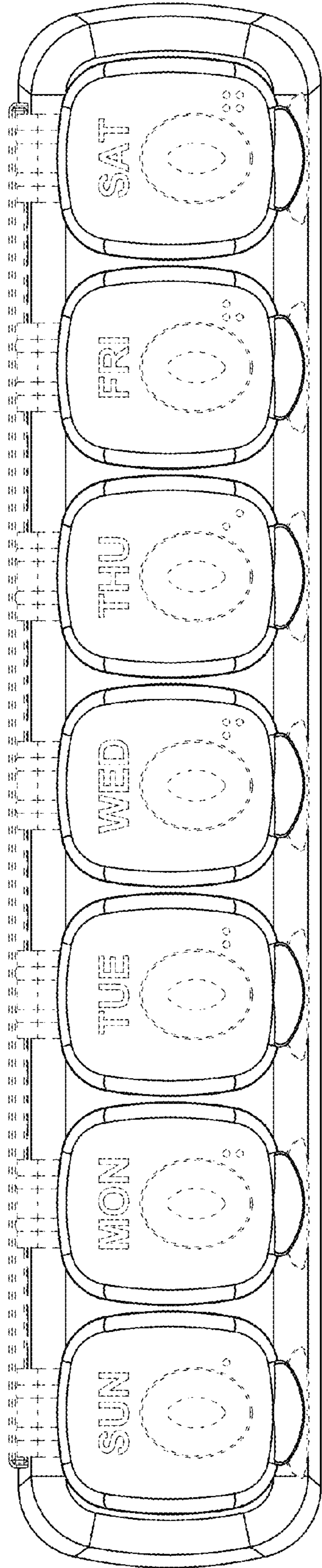


FIG. 21

