



US00D698539S

(12) **United States Design Patent**
Dhillon

(10) **Patent No.:** **US D698,539 S**

(45) **Date of Patent:** **** Feb. 4, 2014**

(54) **DISASTER RELIEF KIT**

D687,626 S * 8/2013 Roundhouse D3/203.6

* cited by examiner

(71) Applicant: **Harinder Dhillon**, Surrey (CA)

Primary Examiner — Catheri Oliver-Garcia

(72) Inventor: **Harinder Dhillon**, Surrey (CA)

(74) *Attorney, Agent, or Firm* — Oyen Wiggs Green & Mutala LLP

(**) Term: **14 Years**

(21) Appl. No.: **29/457,446**

(57) **CLAIM**

The ornamental design for a disaster relief kit, as shown and described.

(22) Filed: **Jun. 10, 2013**

(30) **Foreign Application Priority Data**

DESCRIPTION

Dec. 12, 2012 (CA) 149034

(51) **LOC (10) Cl.** **03-01**

(52) **U.S. Cl.**
USPC **D3/201; D3/203.6**

(58) **Field of Classification Search**
USPC D3/201–205, 230, 272–273;
206/528–540, 508, 349; 220/908–910
See application file for complete search history.

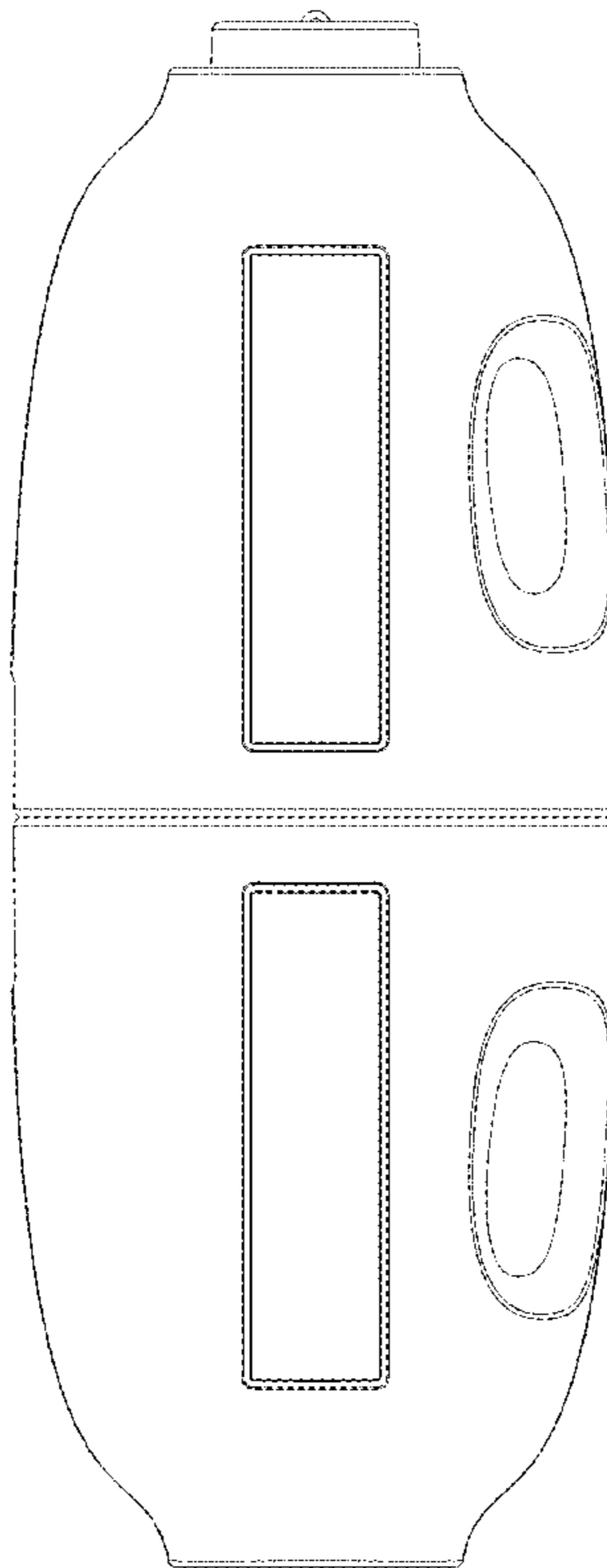
FIG. 1 is a front view of the disaster relief kit;
FIG. 2 is a top view of the disaster relief kit shown in FIG. 1;
FIG. 3 is a bottom view of the disaster relief kit shown in FIG. 1;
FIG. 4 is a front-left perspective view of the disaster relief kit shown in FIG. 1;
FIG. 5 is a right side view of the disaster relief kit shown in FIG. 1;
FIG. 6 is a left side view of the disaster relief kit shown in FIG. 1;
FIG. 7 is a rear view of the disaster relief kit shown in FIG. 1;
and,
FIG. 8 is a rear-right perspective view of the disaster relief kit shown in FIG. 1.

(56) **References Cited**

U.S. PATENT DOCUMENTS

D520,136 S * 5/2006 Keller et al. D3/273
D615,292 S * 5/2010 Brinkly et al. D3/201
D641,160 S * 7/2011 Minneman D3/274

1 Claim, 8 Drawing Sheets



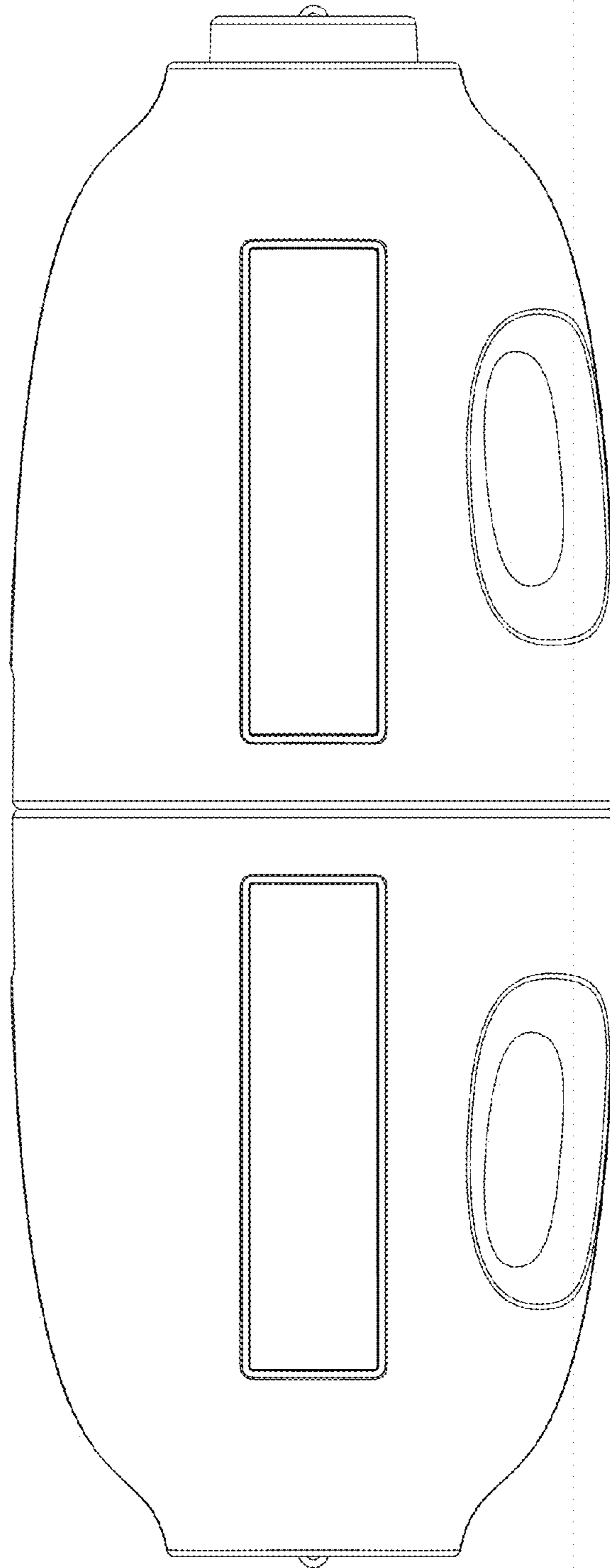


FIGURE 1

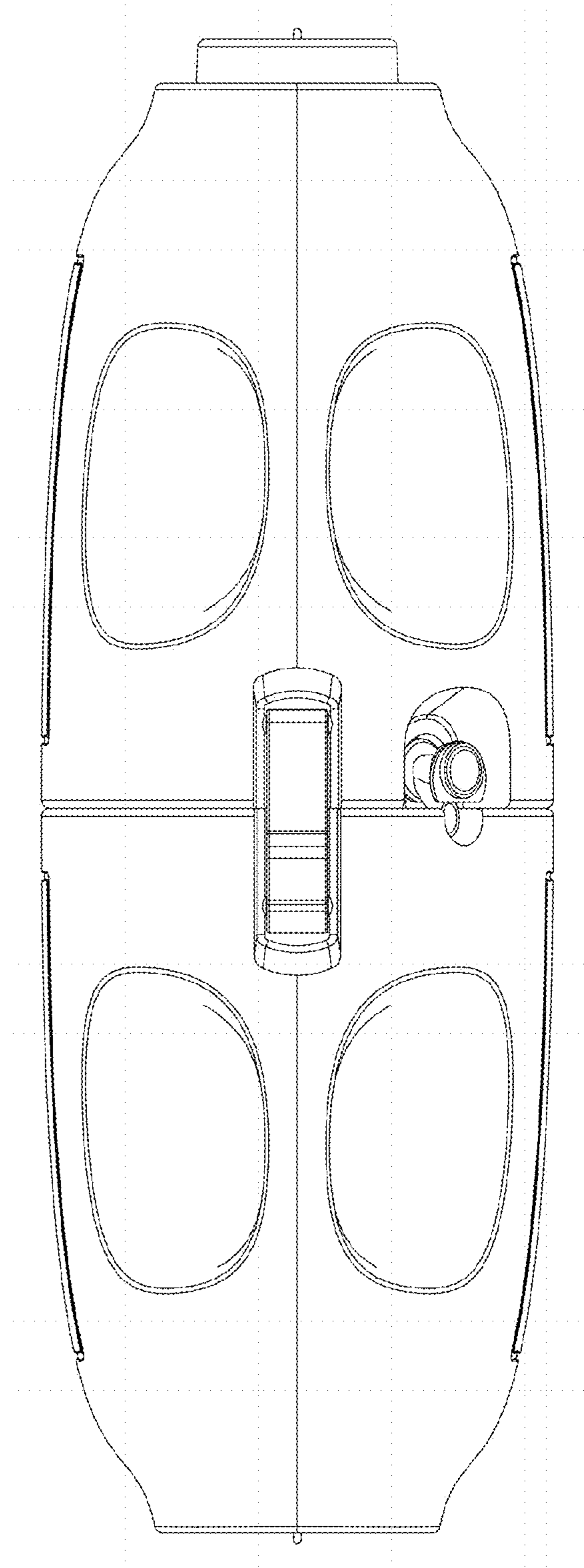


FIGURE 2

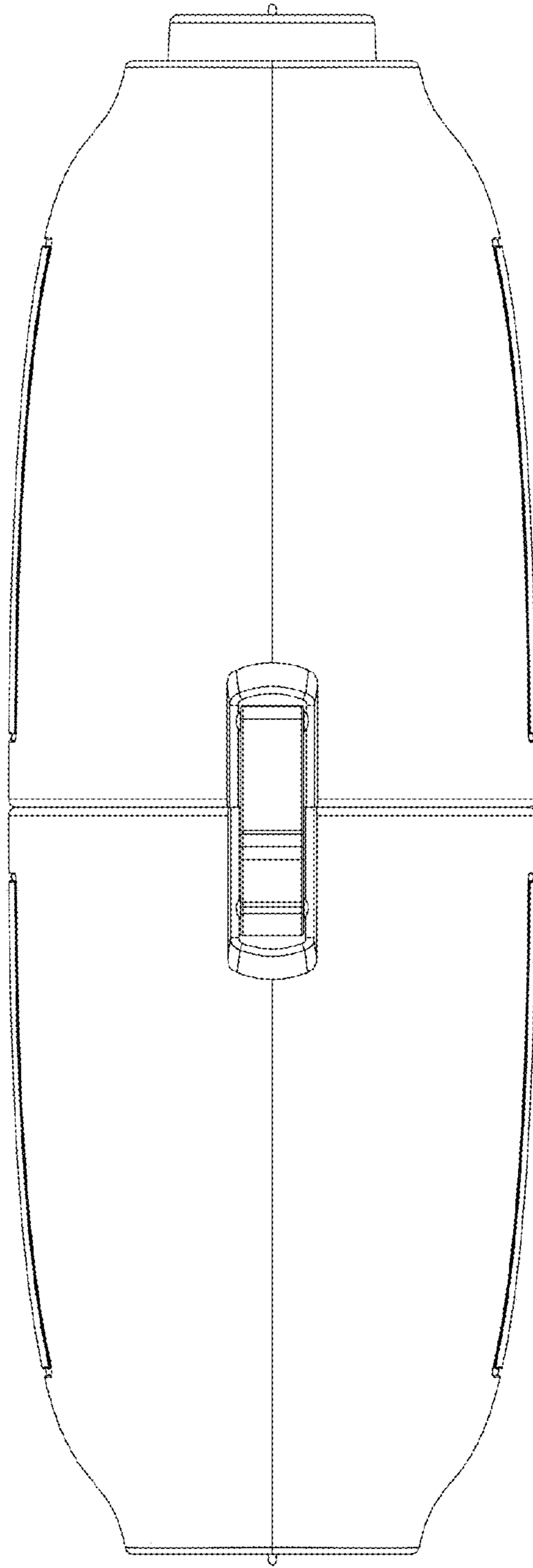


FIGURE 3

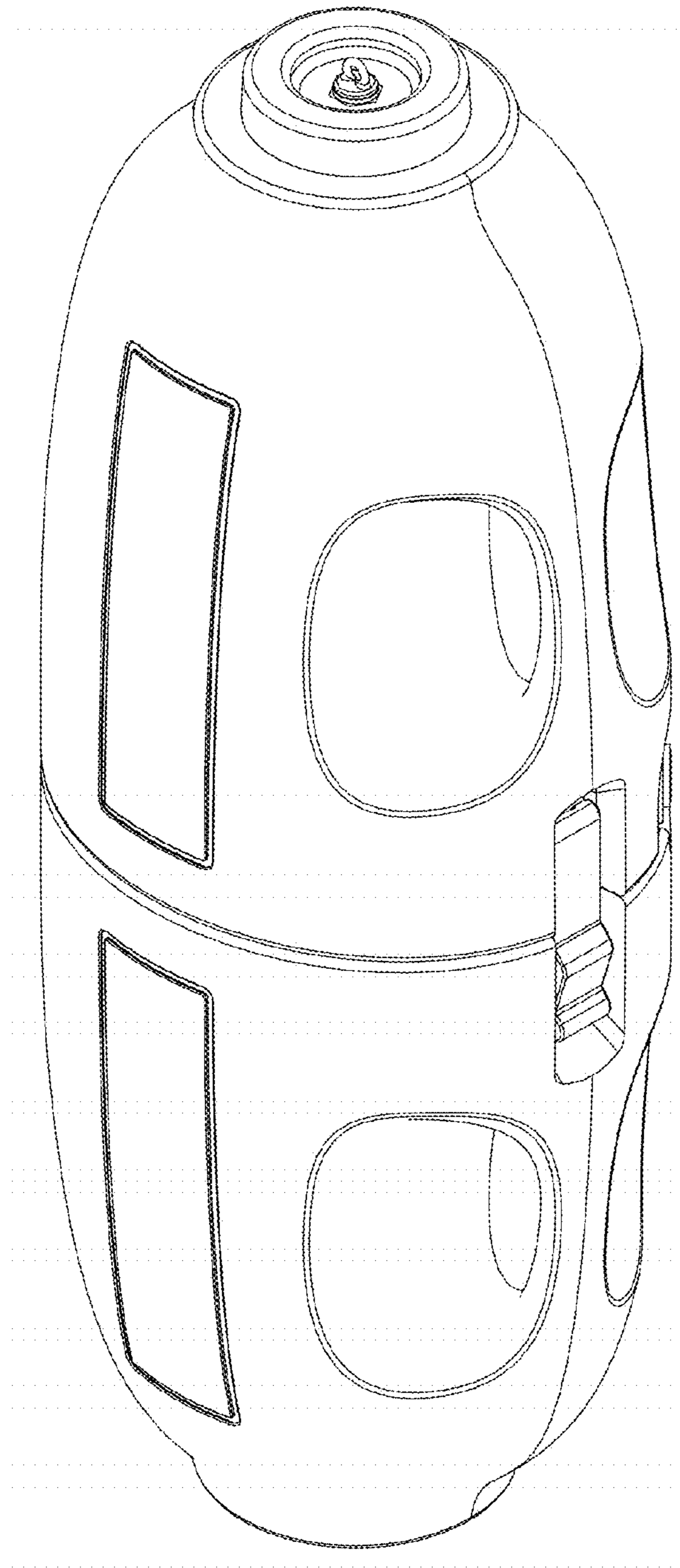


FIGURE 4

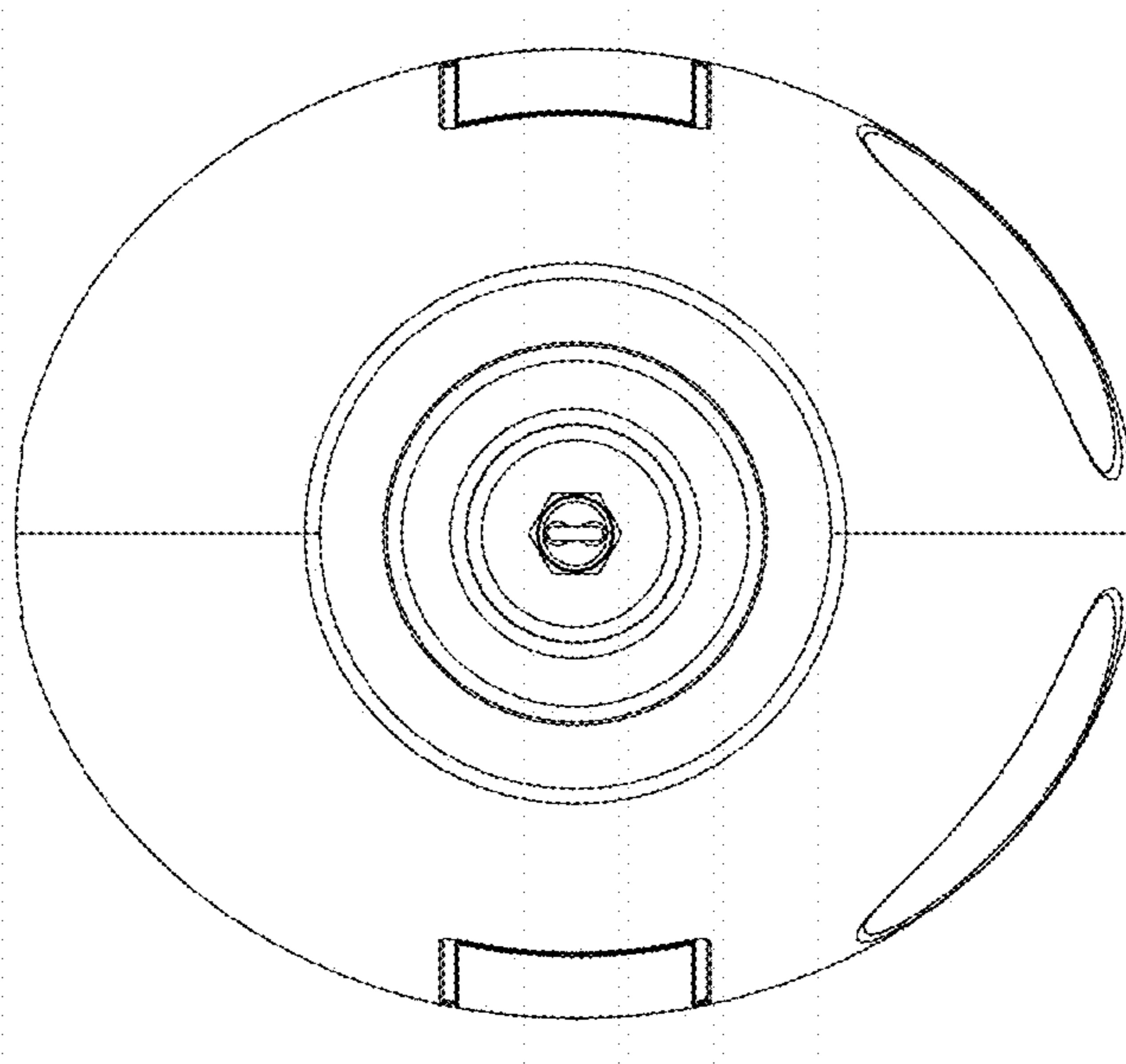


FIGURE 5

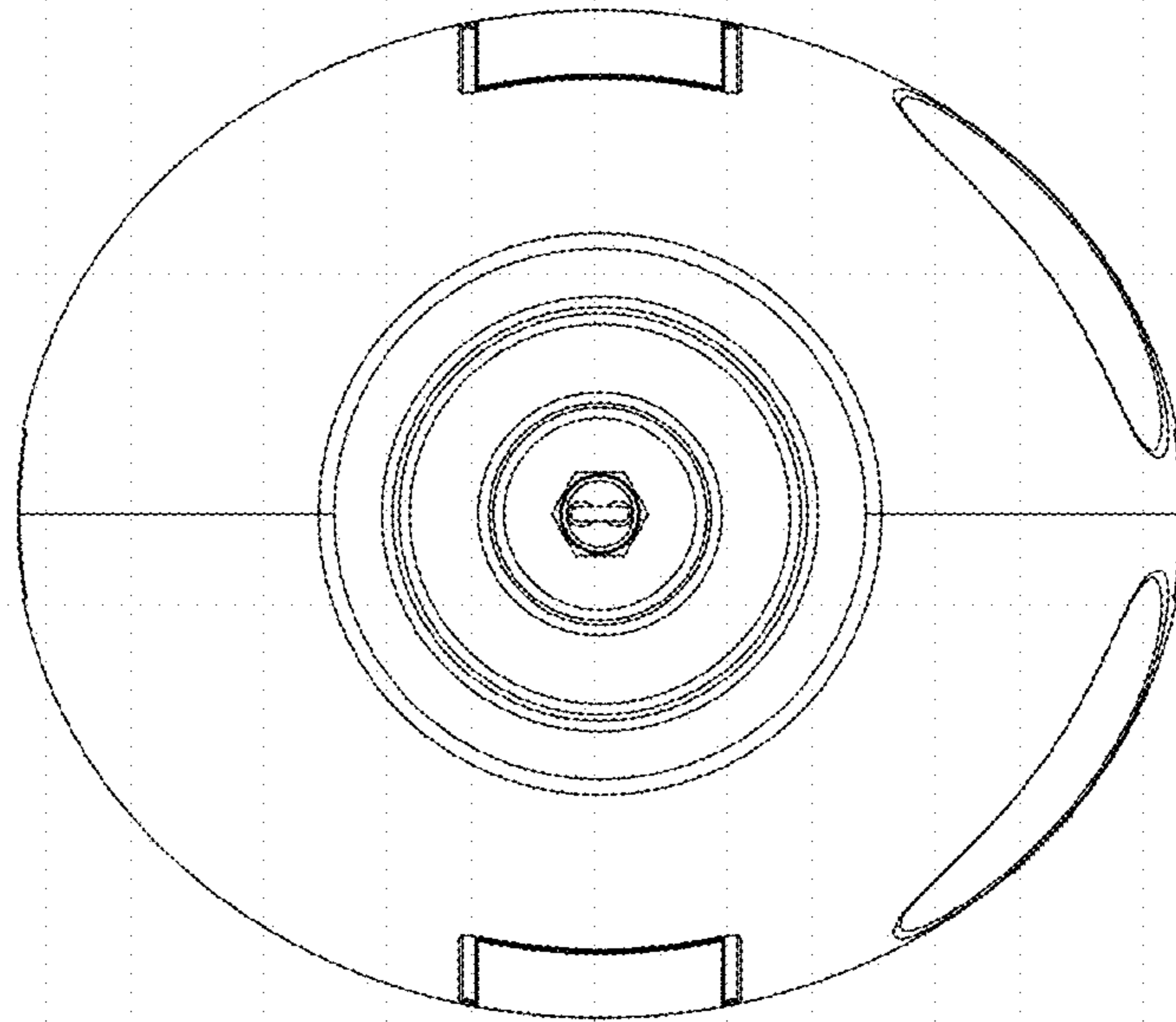


FIGURE 6

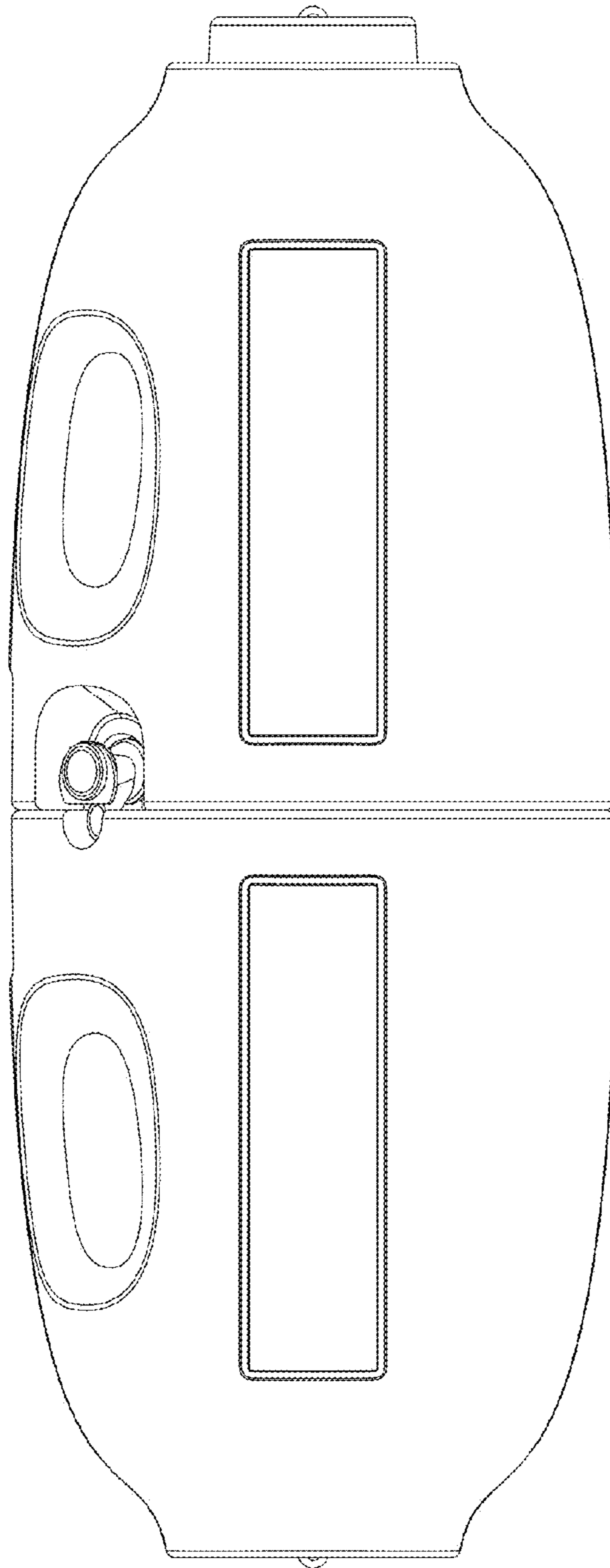


FIGURE 7

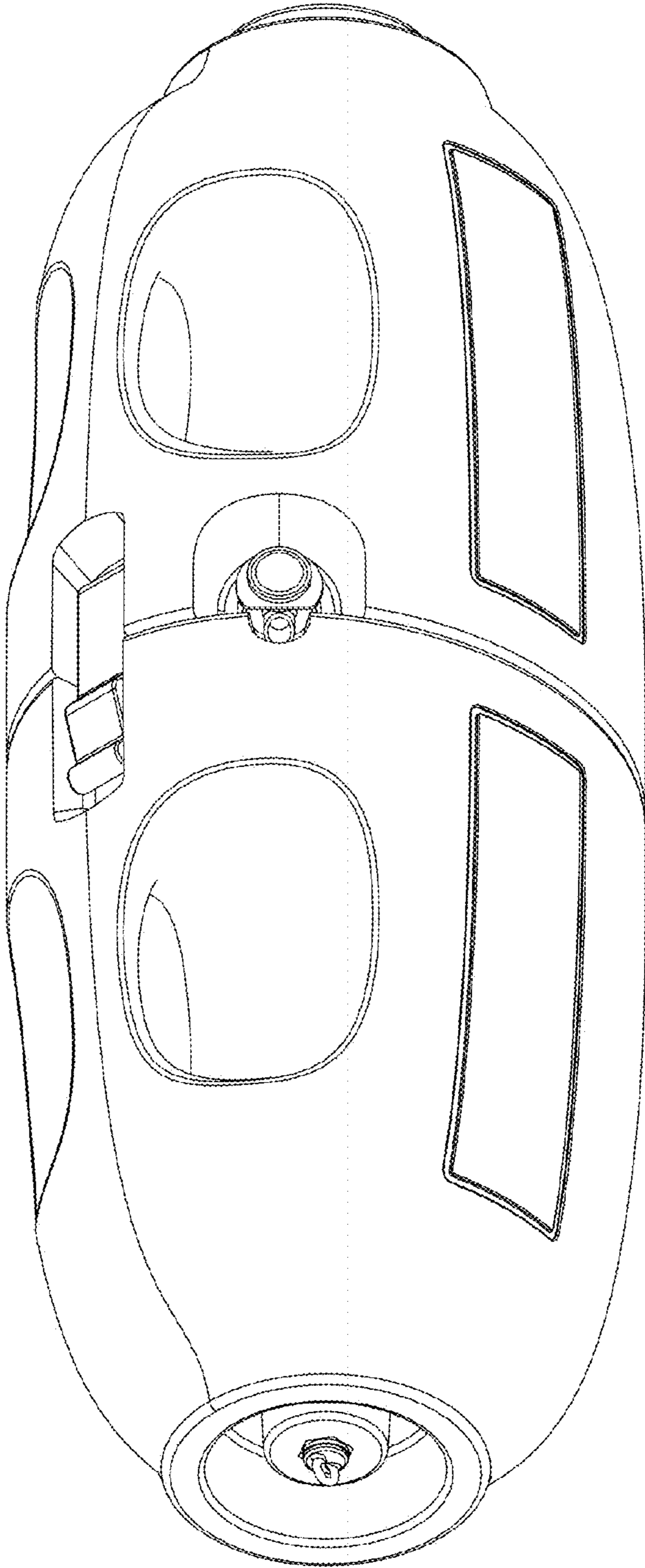


FIGURE 8