



US00D698534S

(12) **United States Design Patent**
Austin

(10) **Patent No.:** **US D698,534 S**

(45) **Date of Patent:** **** Feb. 4, 2014**

(54) **BOOT ATTACHMENT FOR MOTORCYCLE SHIFTING**

(71) Applicant: **Daniel Austin**, Herrin, IL (US)

(72) Inventor: **Daniel Austin**, Herrin, IL (US)

(**) Term: **14 Years**

(21) Appl. No.: **29/449,110**

(22) Filed: **Mar. 14, 2013**

(51) **LOC (10) Cl.** **02-04**

(52) **U.S. Cl.**
USPC **D2/915**

(58) **Field of Classification Search**
USPC D2/901, 902, 906, 909, 910, 913, 914,
D2/915, 962, 972; 36/7.1 R, 113, 114, 131,
36/132, 136, 71.5, 72 R; 54/83.1, 83.2
See application file for complete search history.

(56) **References Cited**

U.S. PATENT DOCUMENTS

116,404 A * 6/1871 Bohn 54/83.1
308,413 A * 11/1884 Kaino 54/83.2
694,421 A * 3/1902 Ridings 54/83.2

2,098,017 A * 11/1937 Seyfarth 54/83.1
2,454,228 A * 11/1948 Smith 54/83.1
3,157,013 A * 11/1964 Hayward et al. 54/83.1
3,812,606 A * 5/1974 Merola 36/72 R
D362,928 S * 10/1995 Redden D30/157
6,339,915 B1 * 1/2002 Bradbury 54/83.1
7,310,928 B2 * 12/2007 Curry 54/83.2
7,581,338 B1 * 9/2009 Housley et al. 36/131

* cited by examiner

Primary Examiner — Robert M Spear

Assistant Examiner — Rashida C McCoy

(74) *Attorney, Agent, or Firm* — Julia A. Tennyson

(57) **CLAIM**

I claim the ornamental design for a boot attachment for motorcycle shifting, as shown and described.

DESCRIPTION

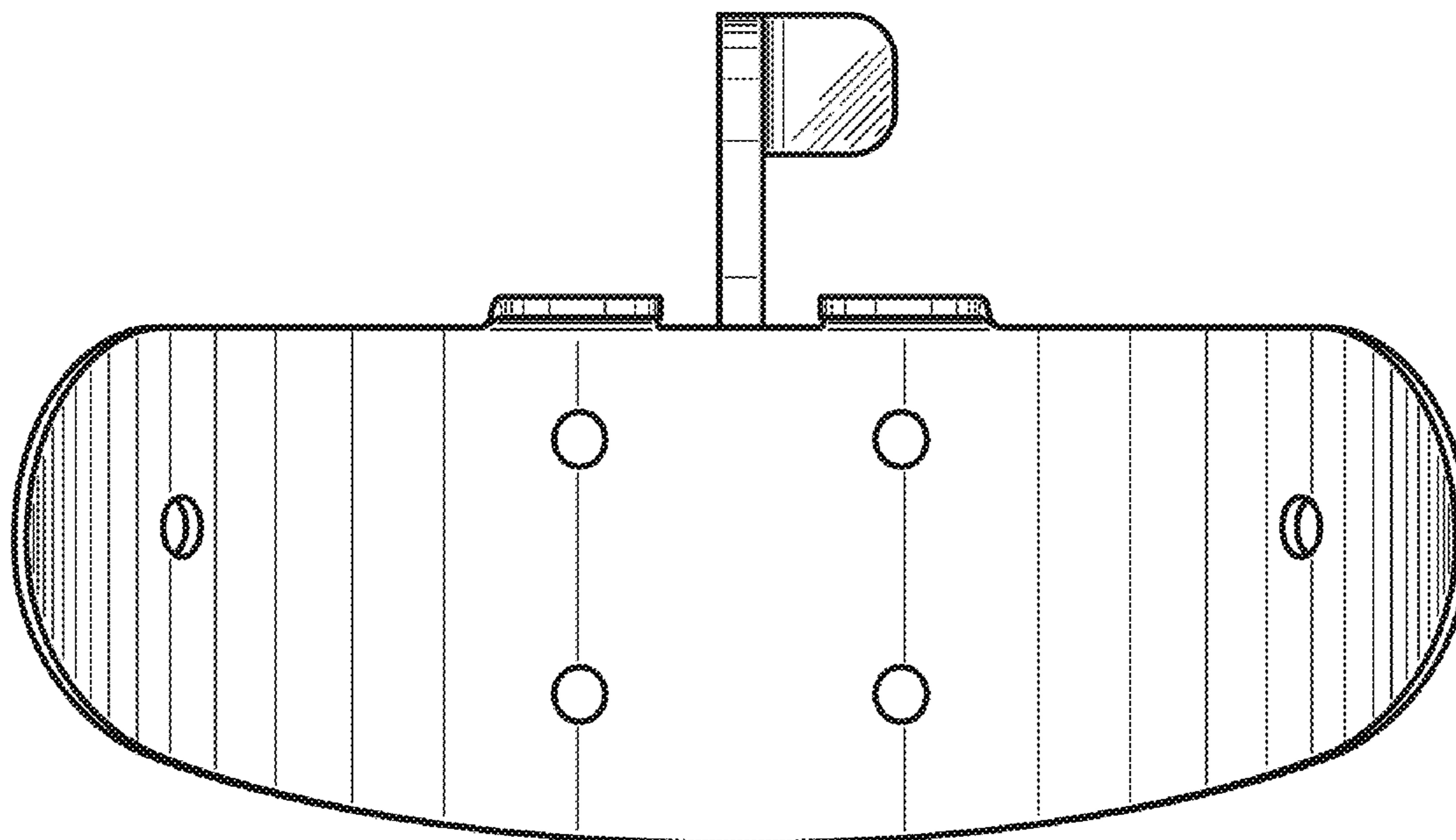
FIG. 1 is a front elevation view of the boot attachment when it is not attached to a boot.

FIG. 2 is a side elevation view of the boot attachment when it is not attached to a boot

FIG. 3 is a bottom plan view; and,

FIG. 4 is a top plan view.

1 Claim, 4 Drawing Sheets



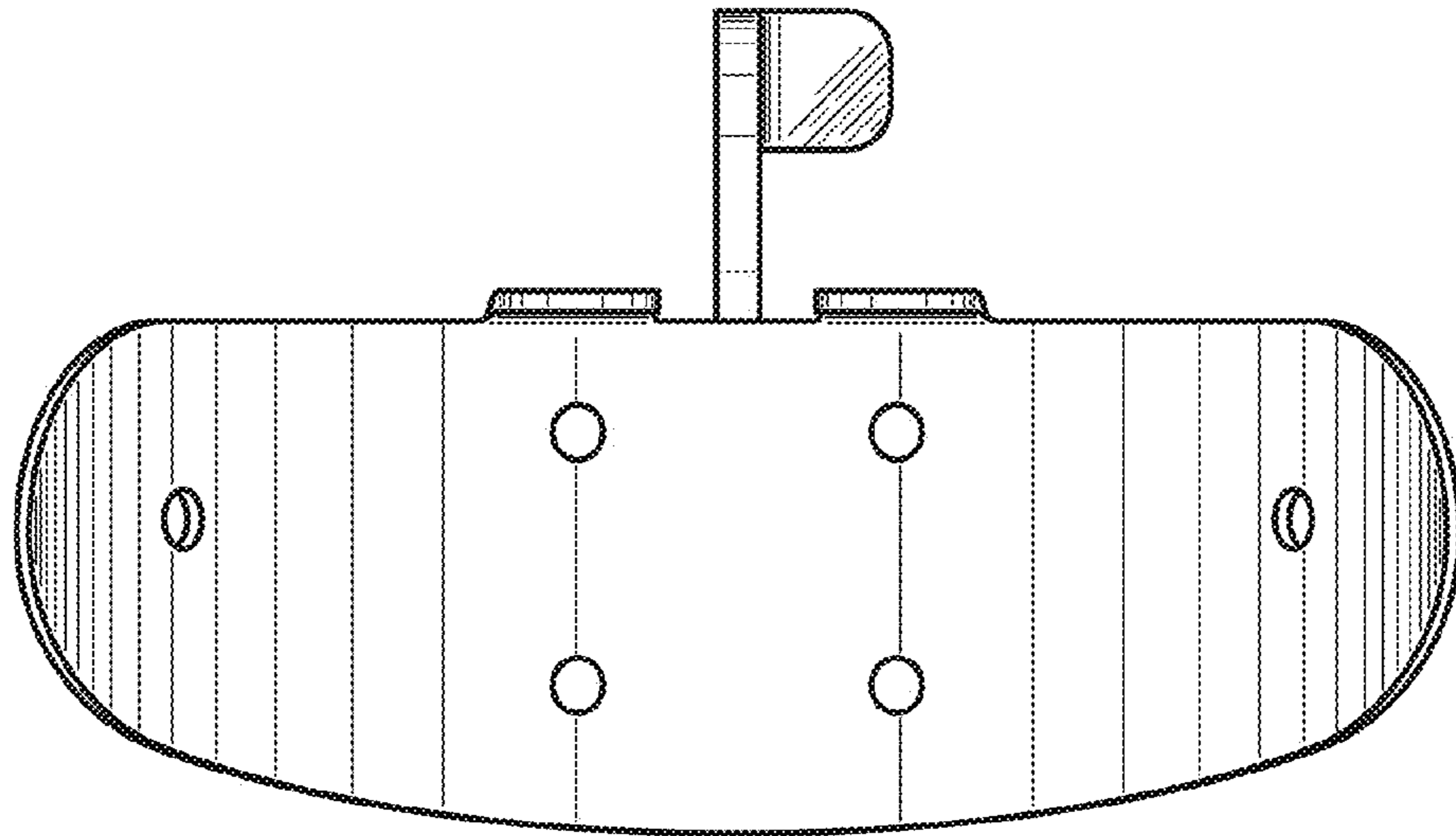


Figure 1

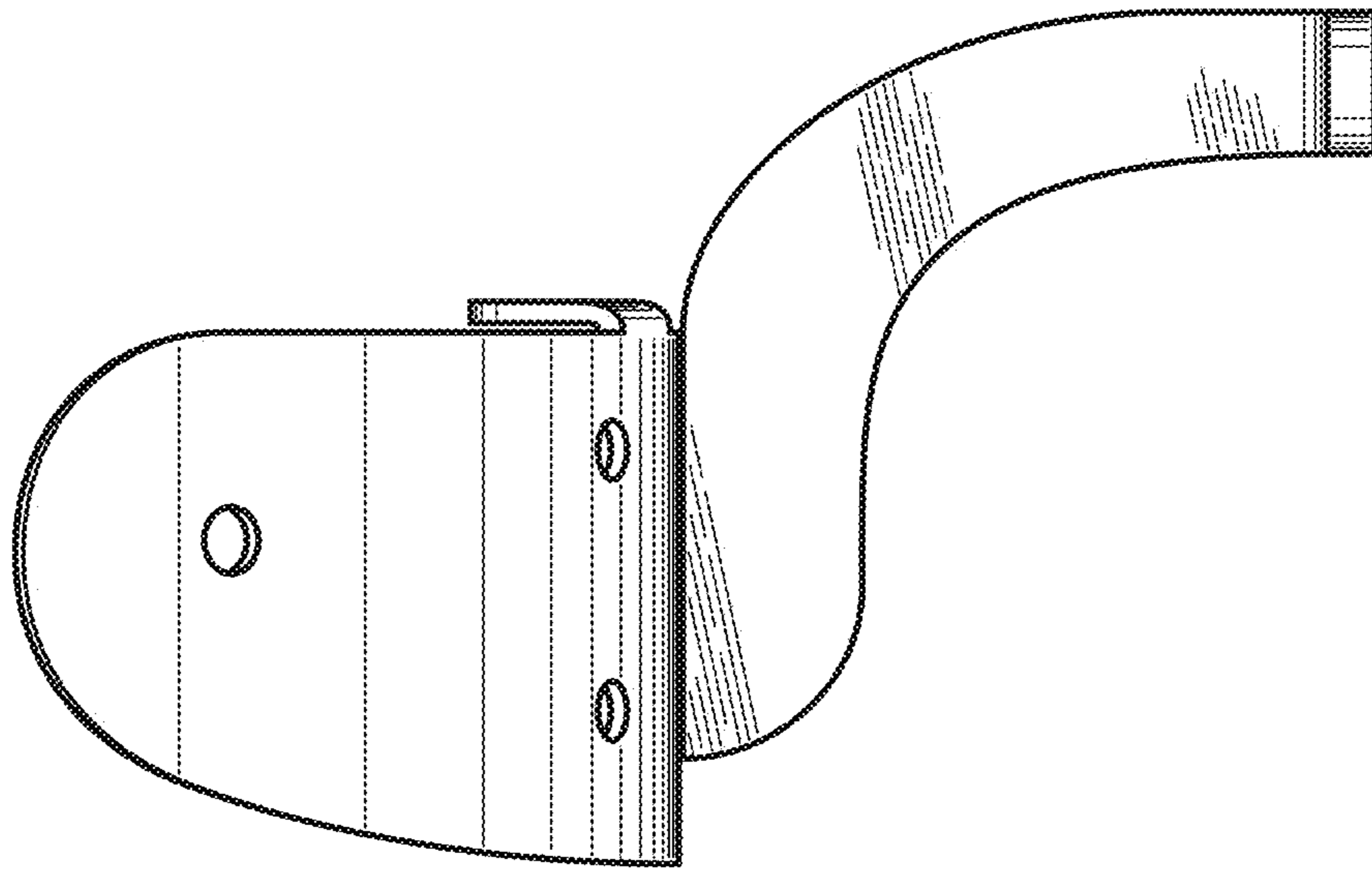


Figure 2

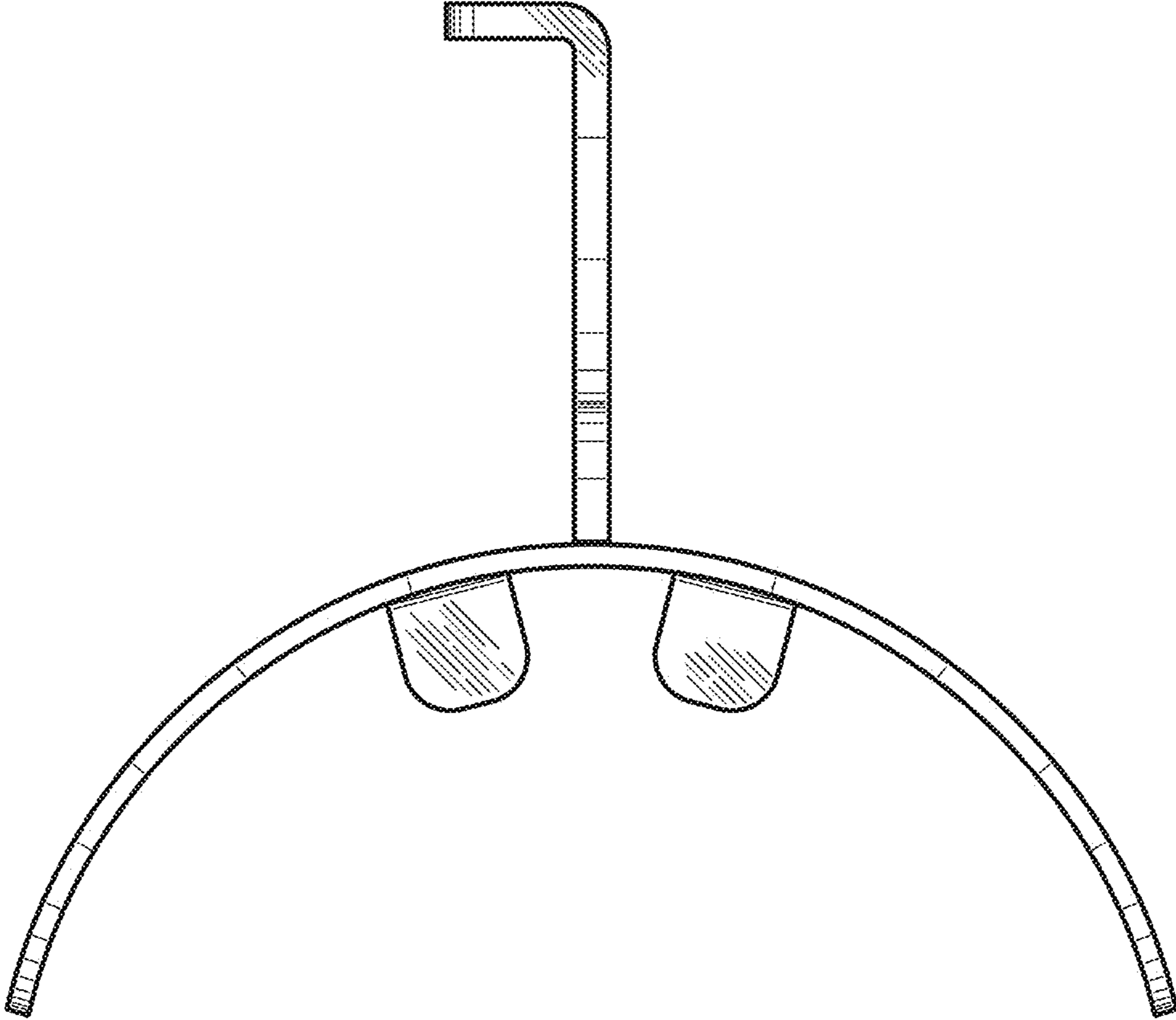


Figure 3

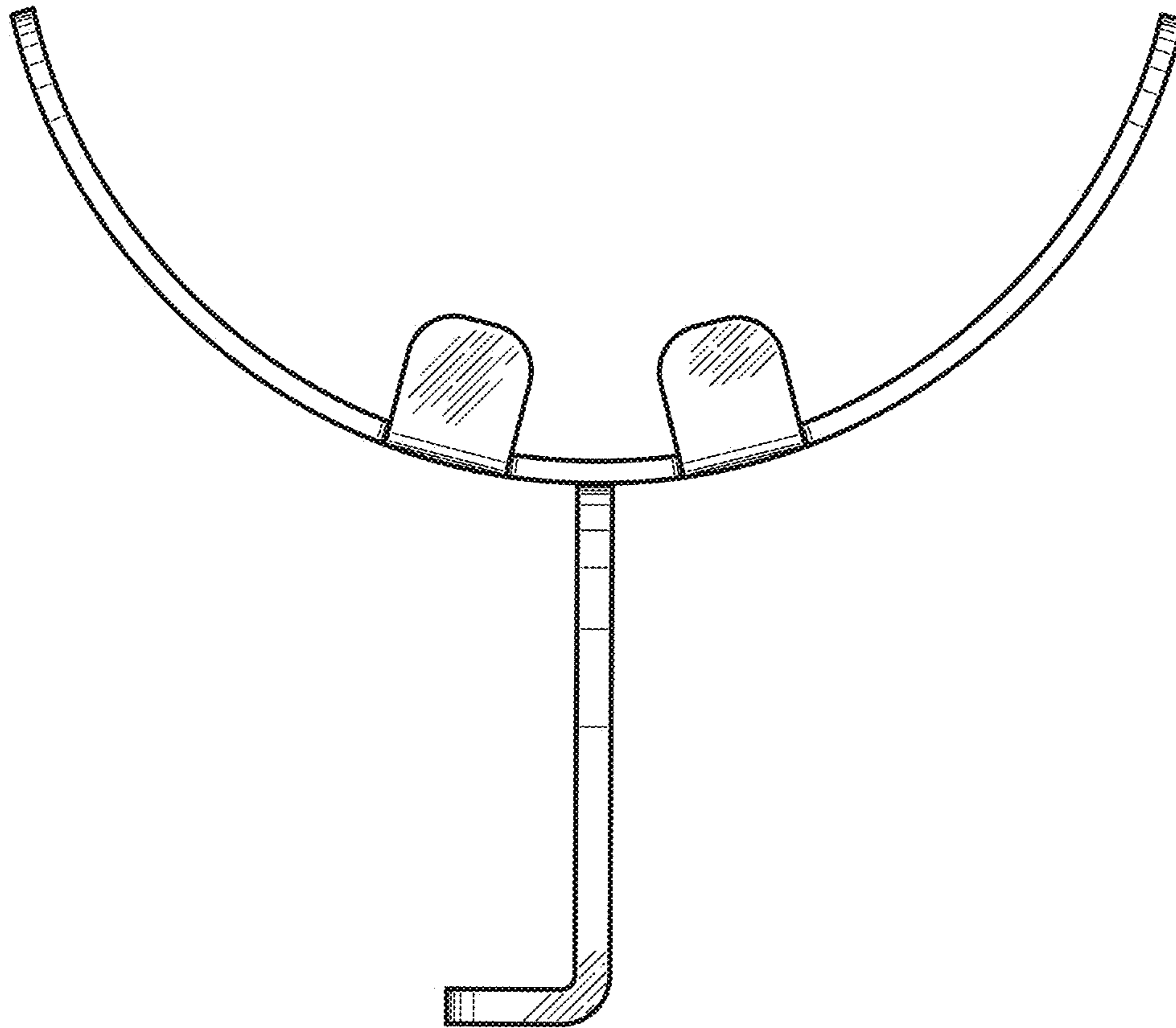


Figure 4