



US00D698528S

(12) **United States Design Patent**
Roberts et al.

(10) **Patent No.:** **US D698,528 S**
(45) **Date of Patent:** **** Feb. 4, 2014**

(54) **JACKET**

(71) Applicant: **Gerbings LLC**, Stoneville, NC (US)

(72) Inventors: **Cupid Roberts**, Stoneville, NC (US);
Susan Kiefer, Greensboro, NC (US)

(73) Assignee: **Gerbings, LLC**, Stoneville, NC (US)

(**) Term: **14 Years**

(21) Appl. No.: **29/458,699**

(22) Filed: **Jun. 21, 2013**

(51) **LOC (10) Cl.** **02-02**

(52) **U.S. Cl.**
USPC **D2/839**

(58) **Field of Classification Search**

USPC D2/719, 749, 750, 755, 828-831, 833,
D2/839, 840, 847, 849, 858; 2/84, 87, 90,
2/93, 96, 97, 102, 106, 108, 115, 116,
2/125

See application file for complete search history.

(56) **References Cited**

U.S. PATENT DOCUMENTS

D113,204 S *	1/1939	Zucker	D2/833
D194,967 S *	4/1963	Bauer	D2/839
4,006,495 A *	2/1977	Jones	2/93
4,084,264 A *	4/1978	Marion	2/459
D294,305 S *	2/1988	Meek	D2/828
D453,055 S *	1/2002	Ode	D29/101.4
D626,725 S *	11/2010	Snyder et al.	D2/831
D675,400 S *	2/2013	Mertes	D2/839
2003/0051286 A1 *	3/2003	Gregg	2/93
2007/0294800 A1 *	12/2007	Huang	2/97
2013/0042384 A1 *	2/2013	Mitchell et al.	2/84

OTHER PUBLICATIONS

FreeBuy.co&FreeBuy.cc. <http://www.freebuy.co/blog/satin-finish-blouson-puffer-jacket-gucci.htm>. Sep. 2012. "Satin-Finish Blouson Puffer Jacket".*

Modnique. <http://www.modnique.com/product/Men/Others/Armani-Jeans/The-Designer-Department-for-her-and-him/9950/Armani-Jeans-Puffer-Jacket/01498727/color/BLU/size/seeac/gseeac>. Copyright 2013.*

Downjacketsales.com. <http://downjacketsales.com/Sale/Hip-Length-Puffer-Jacket.html>. Copyright 2013. "Hip-Length Puffer Jacket".*

Flannels. http://www.flannels.com/polo-ralph-lauren-core-trek-padded-jacket-608851?awc=3805_1380288026_51306f8455d45535fff404e7592f378b. Copyright 2013. "Polo Ralph Lauren Core Trek Padded Jacket".*

* cited by examiner

Primary Examiner — Rashida Johnson

(74) *Attorney, Agent, or Firm* — Kutak Rock LLP

(57) **CLAIM**

The ornamental design for a jacket, as shown and described.

DESCRIPTION

FIG. 1 is a perspective view of a front and a right side of a jacket design;

FIG. 2 is a front elevational view the jacket from FIG. 1;

FIG. 3 is a rear elevational view of the jacket from FIGS. 1-2;

FIG. 4 is a left side elevational view of the jacket from FIGS. 1-3;

FIG. 5 is a right side elevational view of the jacket from FIGS. 1-4;

FIG. 6 is a top plan view of the jacket from FIGS. 1-5; and, FIG. 7 is a bottom plan view of the jacket from FIGS. 1-6.

The broken lines are for the purposes of illustrating environment only. None of the broken lines form part of the claimed design.

1 Claim, 5 Drawing Sheets





Figure 1



Figure 2



Figure 3

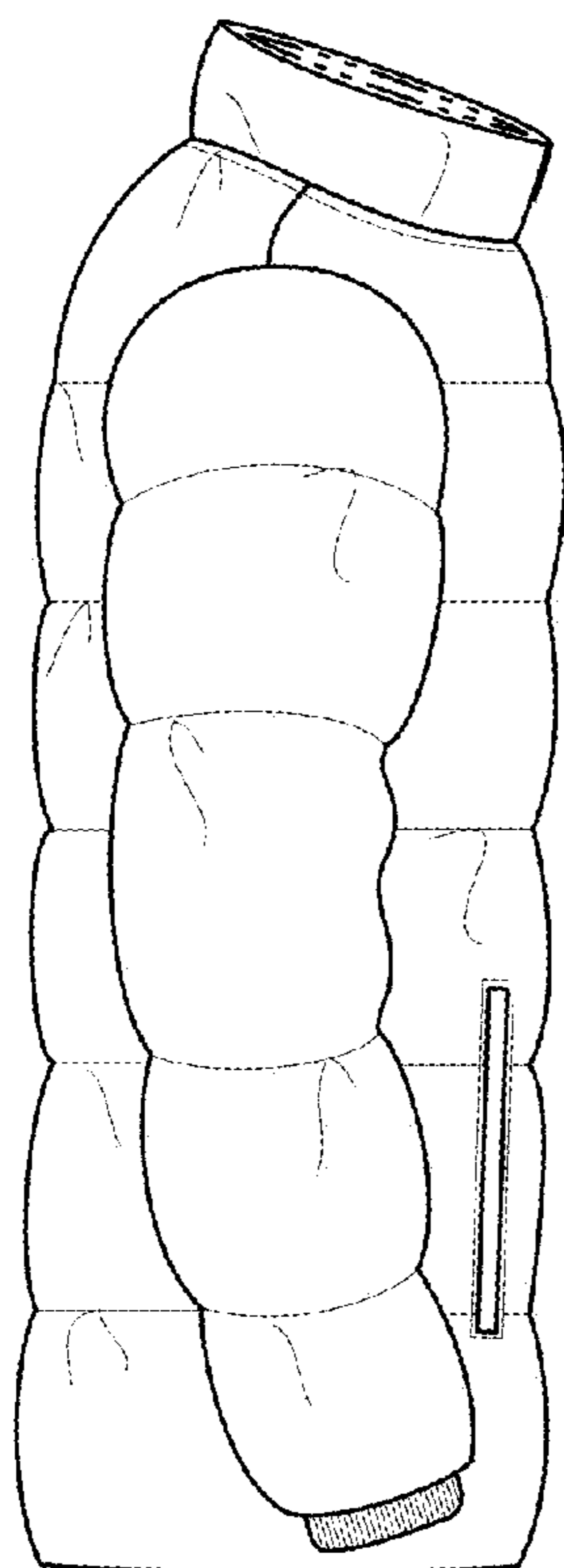


Figure 4

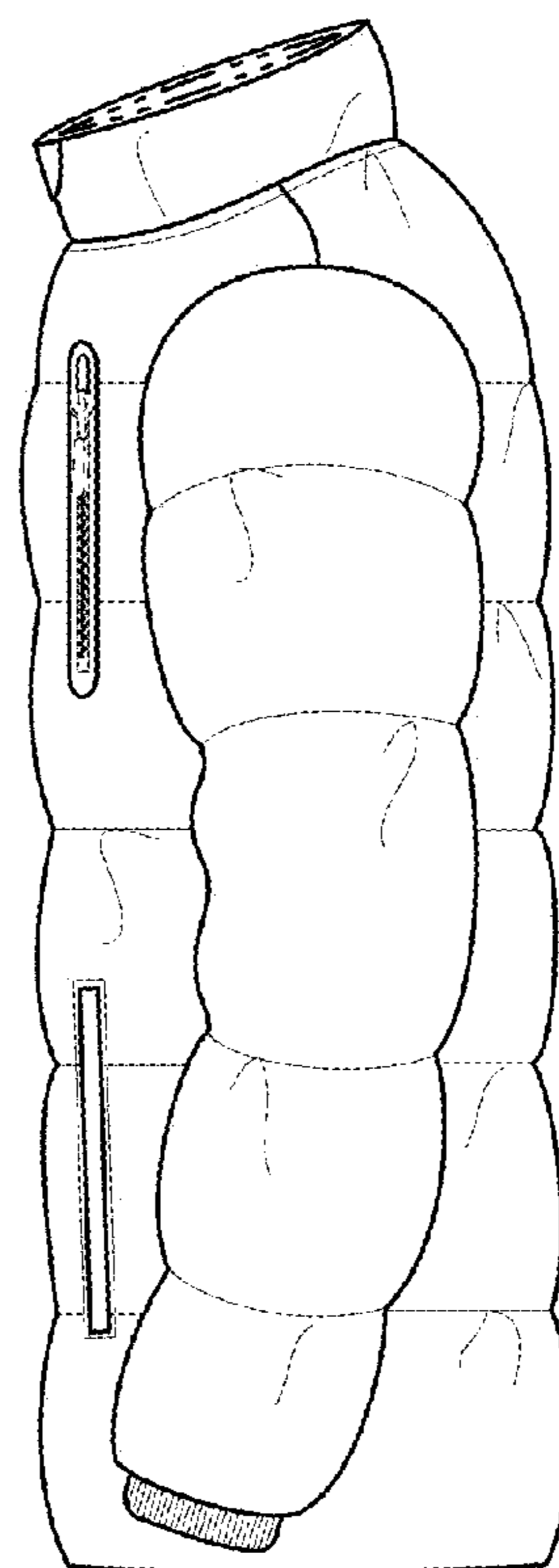


Figure 5

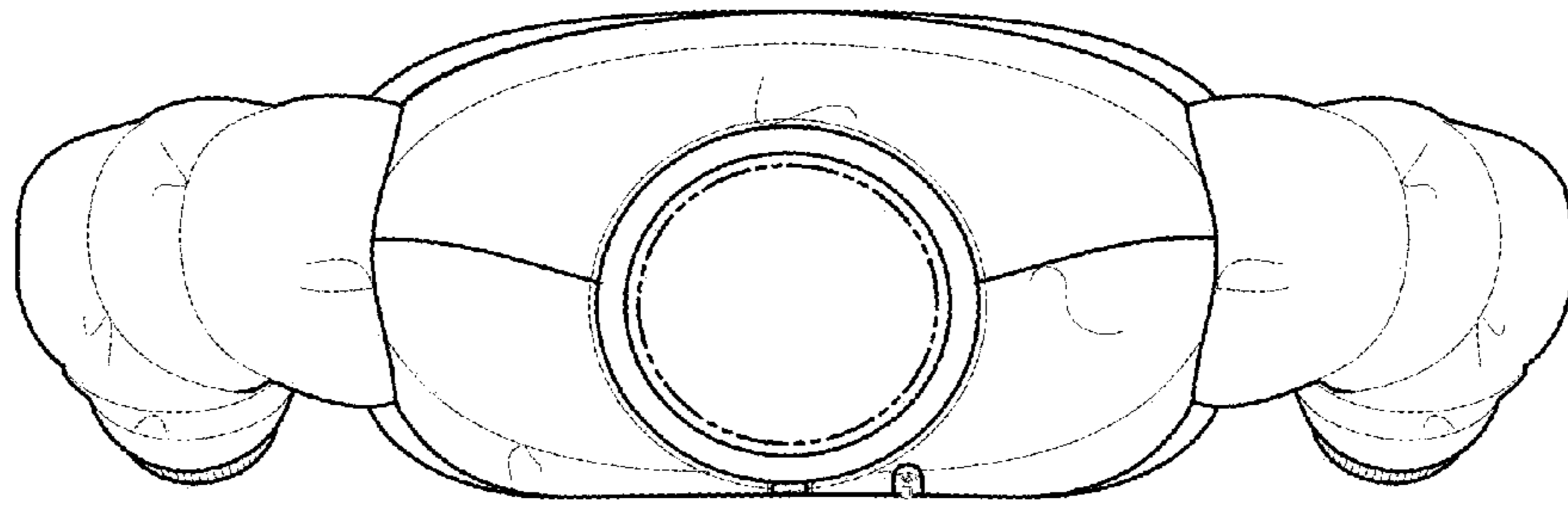


Figure 6

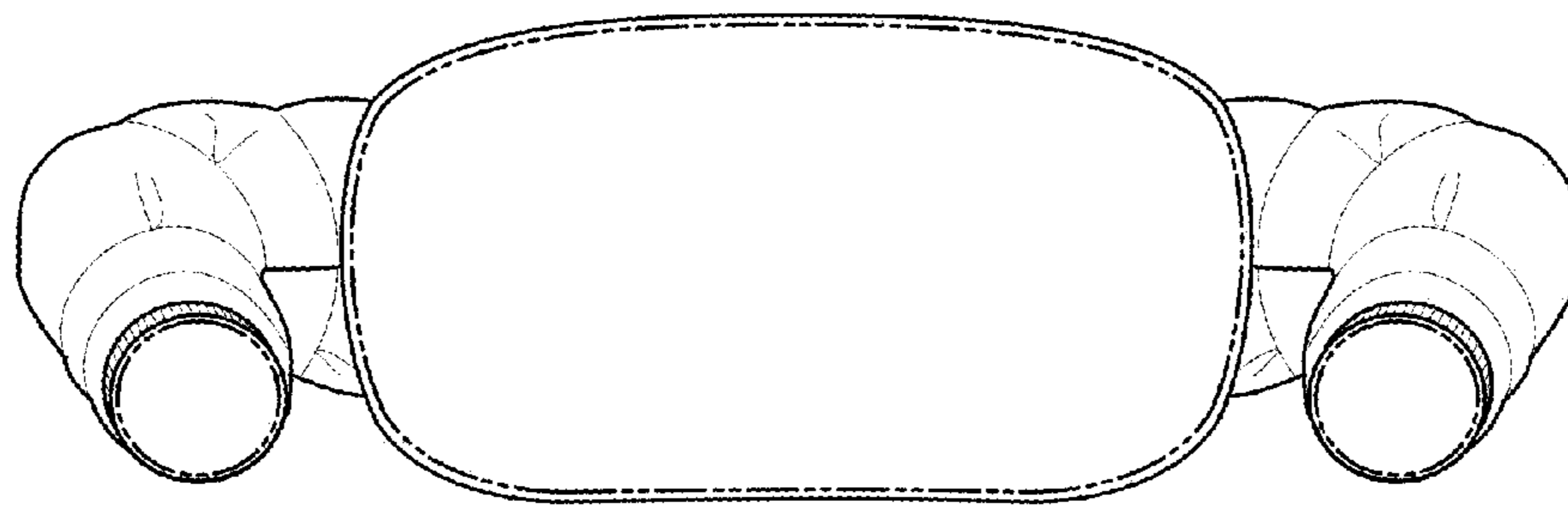


Figure 7