



US00D698527S

(12) **United States Design Patent**
Roberts et al.

(10) **Patent No.:** **US D698,527 S**
(45) **Date of Patent:** **** Feb. 4, 2014**

(54) **JACKET**

(71) Applicant: **Gerbings LLC**, Stoneville, NC (US)

(72) Inventors: **Cupid Roberts**, Stoneville, NC (US);
Susan Kiefer, Greensboro, NC (US)

(73) Assignee: **Gerbings, LLC**, Stoneville, NC (US)

(**) Term: **14 Years**

(21) Appl. No.: **29/458,696**

(22) Filed: **Jun. 21, 2013**

(51) **LOC (10) Cl.** **02-02**

(52) **U.S. Cl.**

USPC **D2/839**

(58) **Field of Classification Search**

USPC D2/719, 749, 750, 755, 828-831, 833,
D2/839, 840, 847, 849, 858; 2/84, 87, 90,
2/93, 96, 97, 102, 106, 108, 115, 116,
2/125

See application file for complete search history.

(56) **References Cited**

U.S. PATENT DOCUMENTS

5,603,646 A * 2/1997 Tobias 441/94
D426,050 S * 6/2000 Bowen D2/830
D588,783 S * 3/2009 Olstorn D2/828
D620,231 S * 7/2010 Parker D2/828

D637,794 S * 5/2011 Gosse D2/831
D641,137 S * 7/2011 Evans et al. D2/839
D654,664 S * 2/2012 Evans et al. D2/839
8,341,766 B2 * 1/2013 Rodriguez et al. 2/97
D685,158 S * 7/2013 Lambertz D2/828

* cited by examiner

Primary Examiner — Rashida Johnson

(74) *Attorney, Agent, or Firm* — Kutak Rock LLP

(57) **CLAIM**

The ornamental design for a jacket, as shown and described.

DESCRIPTION

FIG. 1 is a perspective view of a front and a right side of a jacket design;

FIG. 2 is a front elevational view the jacket from FIG. 1;

FIG. 3 is a rear elevational view of the jacket from FIGS. 1-2;

FIG. 4 is a left side elevational view of the jacket from FIGS. 1-3;

FIG. 5 is a right side elevational view of the jacket from FIGS. 1-4;

FIG. 6 is a top plan view of the jacket from FIGS. 1-5; and,

FIG. 7 is a bottom plan view of the jacket from FIGS. 1-6.

The broken lines are for the purposes of illustrating environment only. None of the broken lines form part of the claimed design.

1 Claim, 5 Drawing Sheets

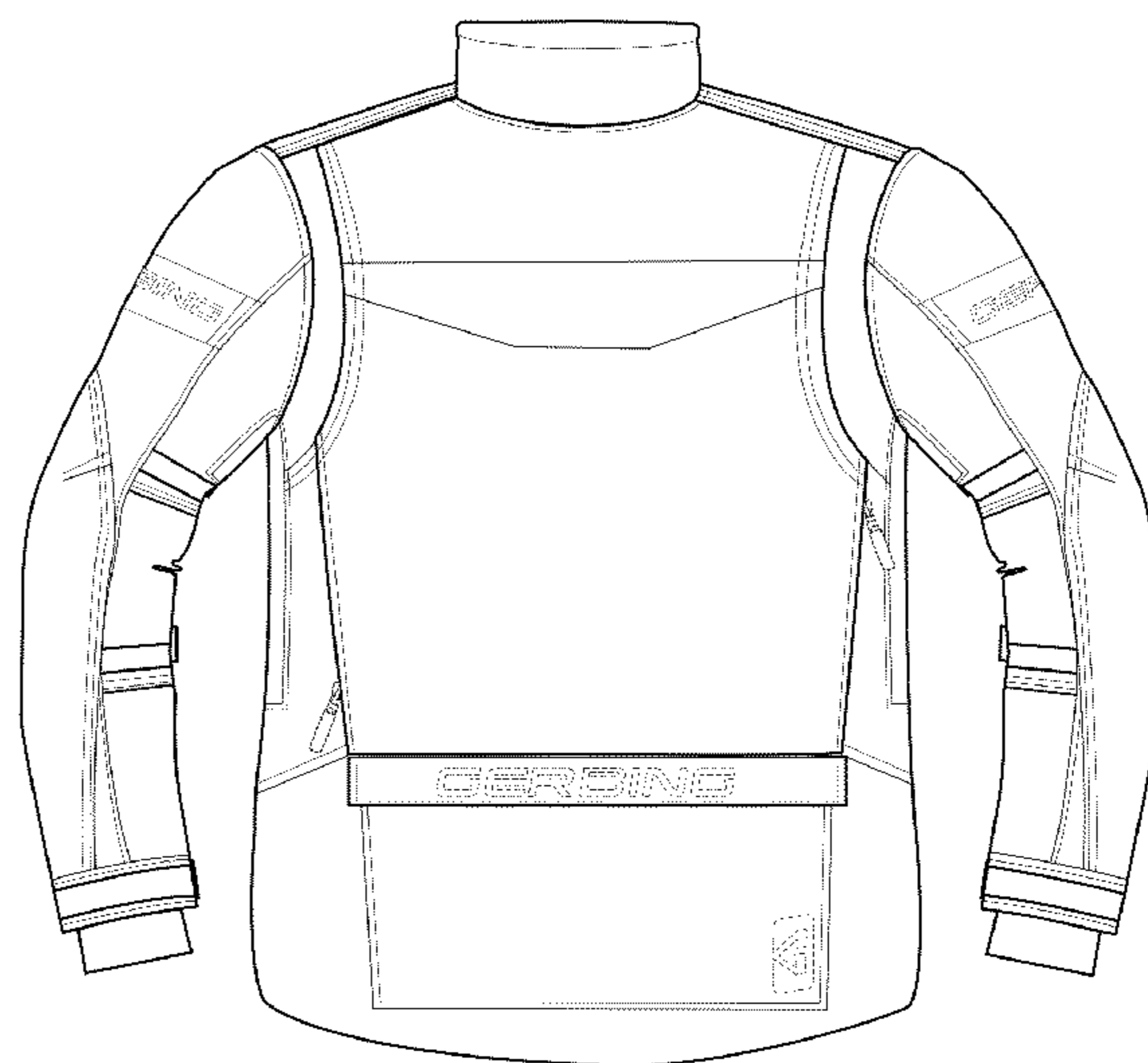




Figure 1



Figure 2

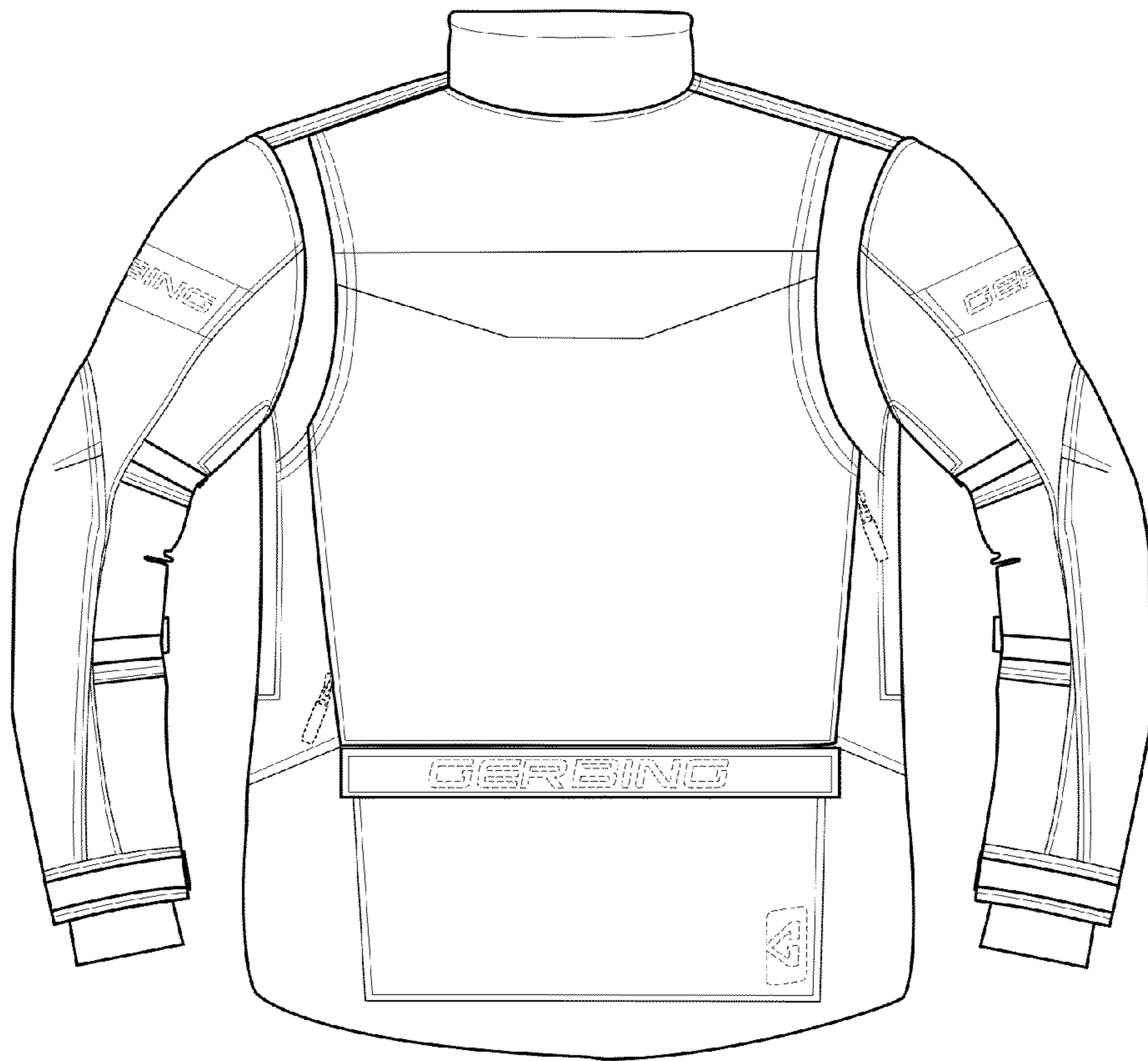


Figure 3



Figure 4

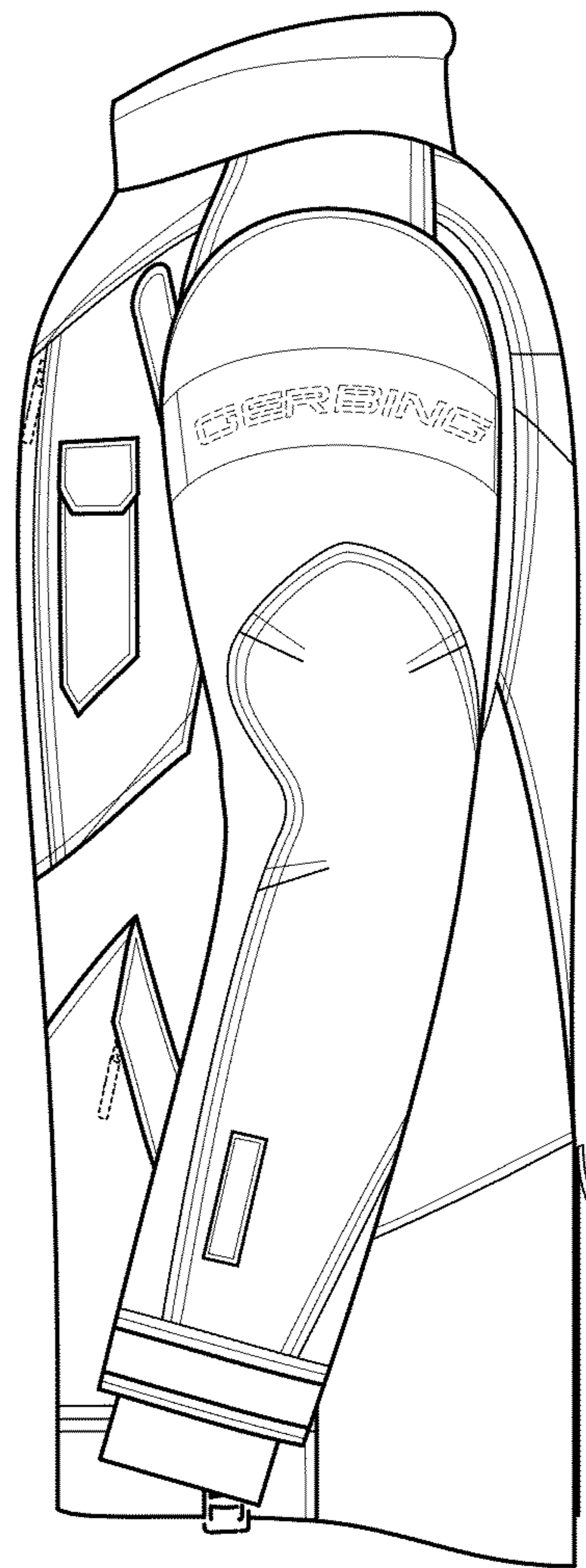


Figure 5

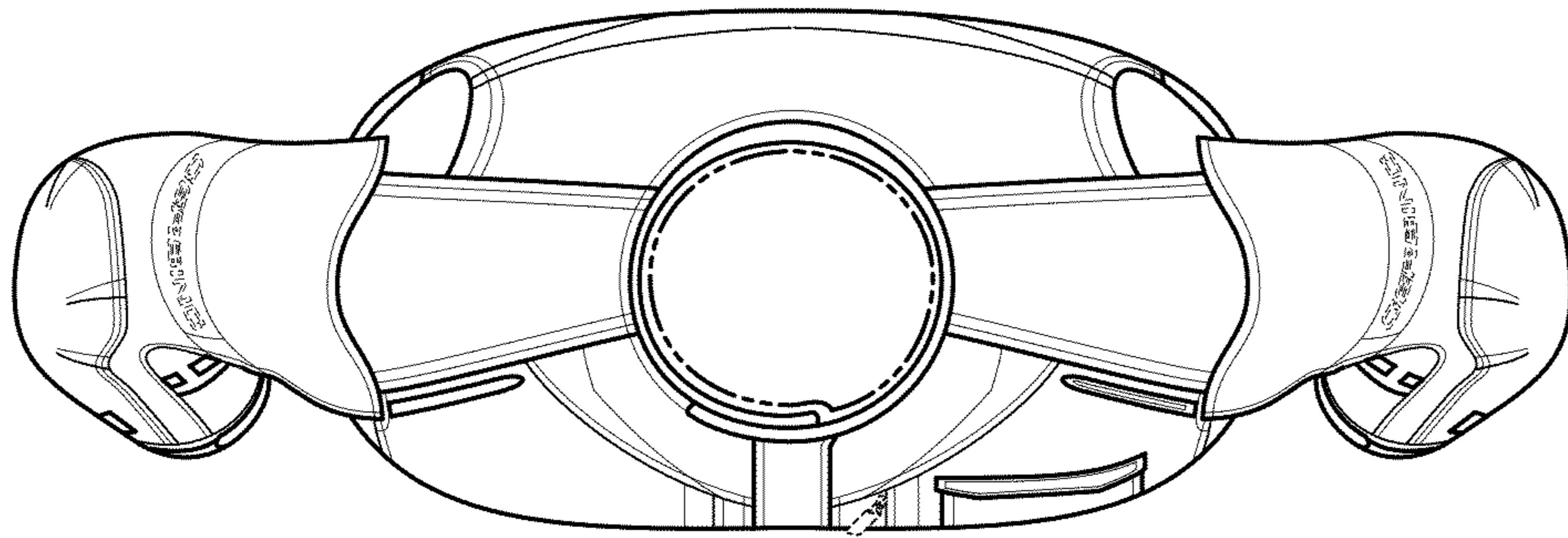


Figure 6

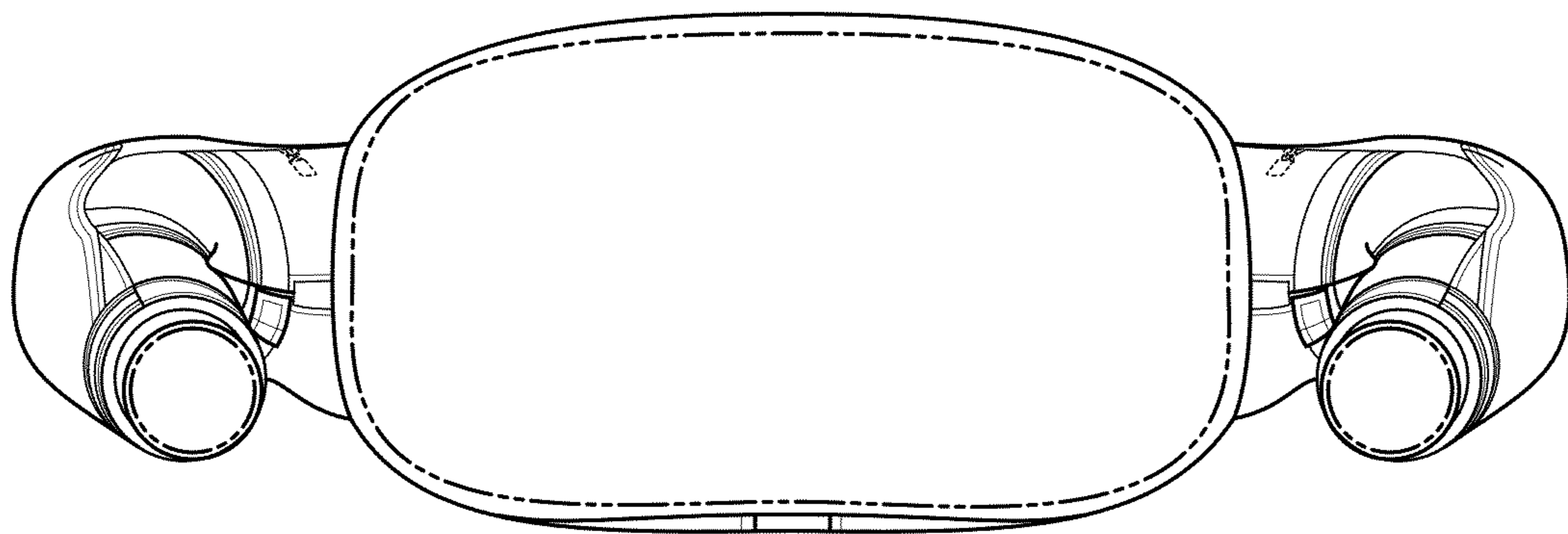


Figure 7