



US00D698525S

(12) **United States Design Patent**  
**Roberts et al.**

(10) **Patent No.:** **US D698,525 S**  
(45) **Date of Patent:** **\*\* Feb. 4, 2014**

(54) **JACKET**

- (71) Applicant: **Gerbings LLC**, Stoneville, NC (US)
  - (72) Inventors: **Cupid Roberts**, Stoneville, NC (US);  
**Susan Kiefer**, Greensboro, NC (US)
  - (73) Assignee: **Gerbings, LLC**, Stoneville, NC (US)
  - (\*\*) Term: **14 Years**
  - (21) Appl. No.: **29/458,661**
  - (22) Filed: **Jun. 21, 2013**
  - (51) **LOC (10) Cl.** ..... **02-02**
  - (52) **U.S. Cl.**  
USPC ..... **D2/839**
  - (58) **Field of Classification Search**  
USPC ..... D2/719, 749, 750, 755, 828-831, 833,  
D2/839, 840, 847, 849, 858; 2/84, 87, 90,  
2/93, 96, 97, 102, 106, 108, 115, 116,  
2/125
- See application file for complete search history.

(56) **References Cited**

**U.S. PATENT DOCUMENTS**

|                   |         |                  |       |        |
|-------------------|---------|------------------|-------|--------|
| D271,154 S *      | 11/1983 | Dowling          | ..... | D2/847 |
| D306,511 S *      | 3/1990  | Jones            | ..... | D2/839 |
| D622,937 S *      | 9/2010  | Bay              | ..... | D2/830 |
| D654,664 S *      | 2/2012  | Evans et al.     | ..... | D2/839 |
| D662,282 S *      | 6/2012  | Meunier-Bouchard | ..... | D2/828 |
| 8,341,766 B2 *    | 1/2013  | Rodriguez et al. | ..... | 2/97   |
| D679,072 S *      | 4/2013  | Abbevik et al.   | ..... | D2/828 |
| D685,158 S *      | 7/2013  | Lambertz         | ..... | D2/828 |
| 2003/0051286 A1 * | 3/2003  | Gregg            | ..... | 2/93   |
| 2004/0143884 A1 * | 7/2004  | Majerfeld        | ..... | 2/96   |
| 2004/0237168 A1 * | 12/2004 | Braun            | ..... | 2/93   |

**OTHER PUBLICATIONS**

Trek Bicycle Store. <http://trekbicyclestores.com/product/capo-sc-12-softshell-jacket-180344-1.htm>. Date Unknown: Viewed Sep. 2013. "SC-12 Softshell Jacket".\*

The North Face. [http://www.thenorthface.com/catalog/sc-gear/mens-apex-bionic-jacket\\_3.html](http://www.thenorthface.com/catalog/sc-gear/mens-apex-bionic-jacket_3.html). Date Unknown: Viewed Sep. 2013. "Men's Apex Bionic Jacket".\*

Atlantis. <http://www.atlantisweathergear.com/grand-prix-jacket/>. Copyright 2013. "Grand Prix Jacket".\*

\* cited by examiner

*Primary Examiner* — Rashida Johnson

(74) *Attorney, Agent, or Firm* — Kutak Rock LLP

(57) **CLAIM**

The ornamental design for a jacket, as shown and described.

**DESCRIPTION**

FIG. 1 is a perspective view of a front and a right side of a jacket design;

FIG. 2 is a front elevational view the jacket from FIG. 1;

FIG. 3 is a rear elevational view of the jacket from FIGS. 1-2;

FIG. 4 is a left side elevational view of the jacket from FIGS. 1-3;

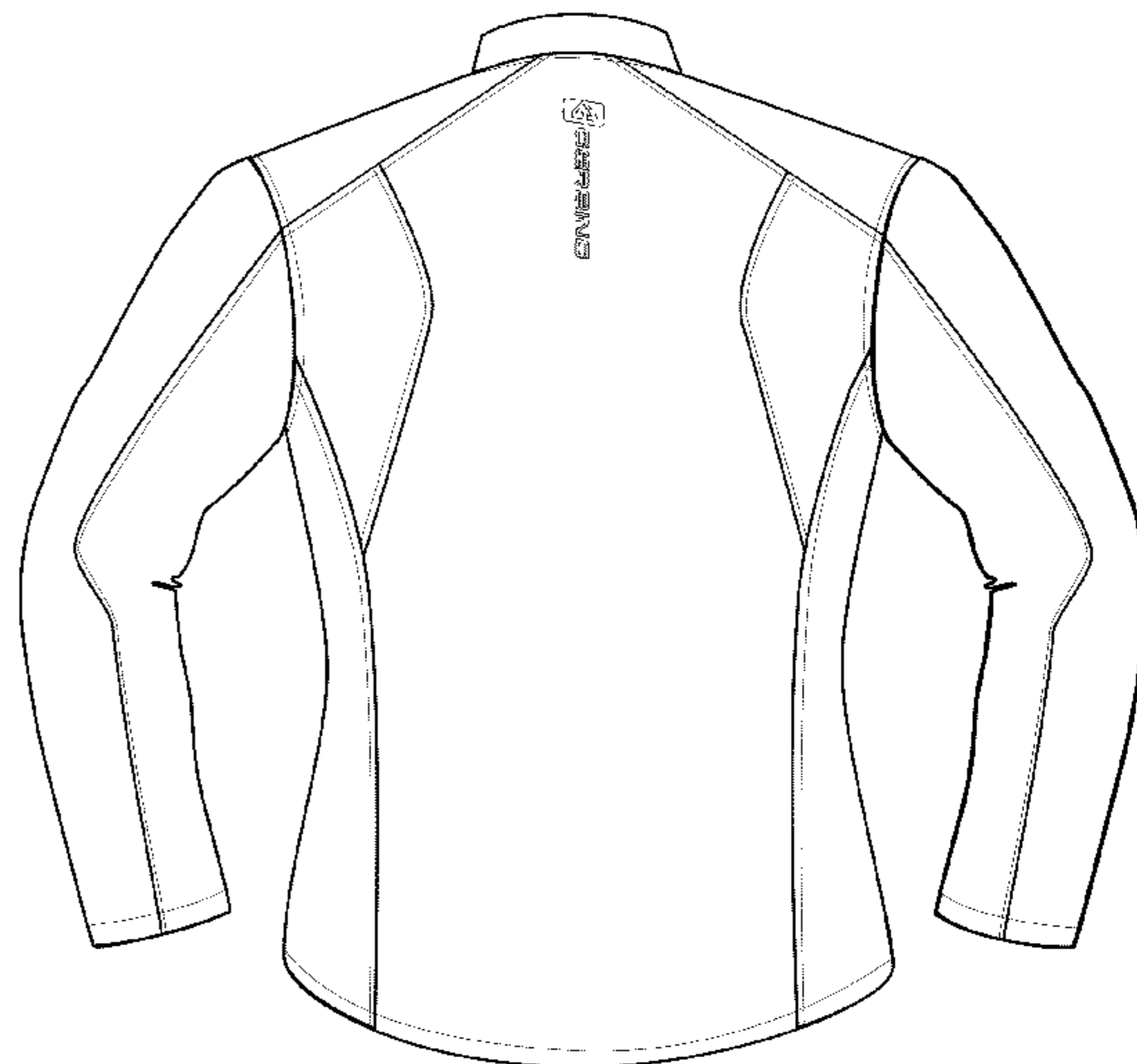
FIG. 5 is a right side elevational view of the jacket from FIGS. 1-4;

FIG. 6 is a top plan view of the jacket from FIGS. 1-5; and,

FIG. 7 is a bottom plan view of the jacket from FIGS. 1-6.

The broken lines are for the purposes of illustrating environment only. None of the broken lines form part of the claimed design.

**1 Claim, 5 Drawing Sheets**





*Figure 1*



Figure 2

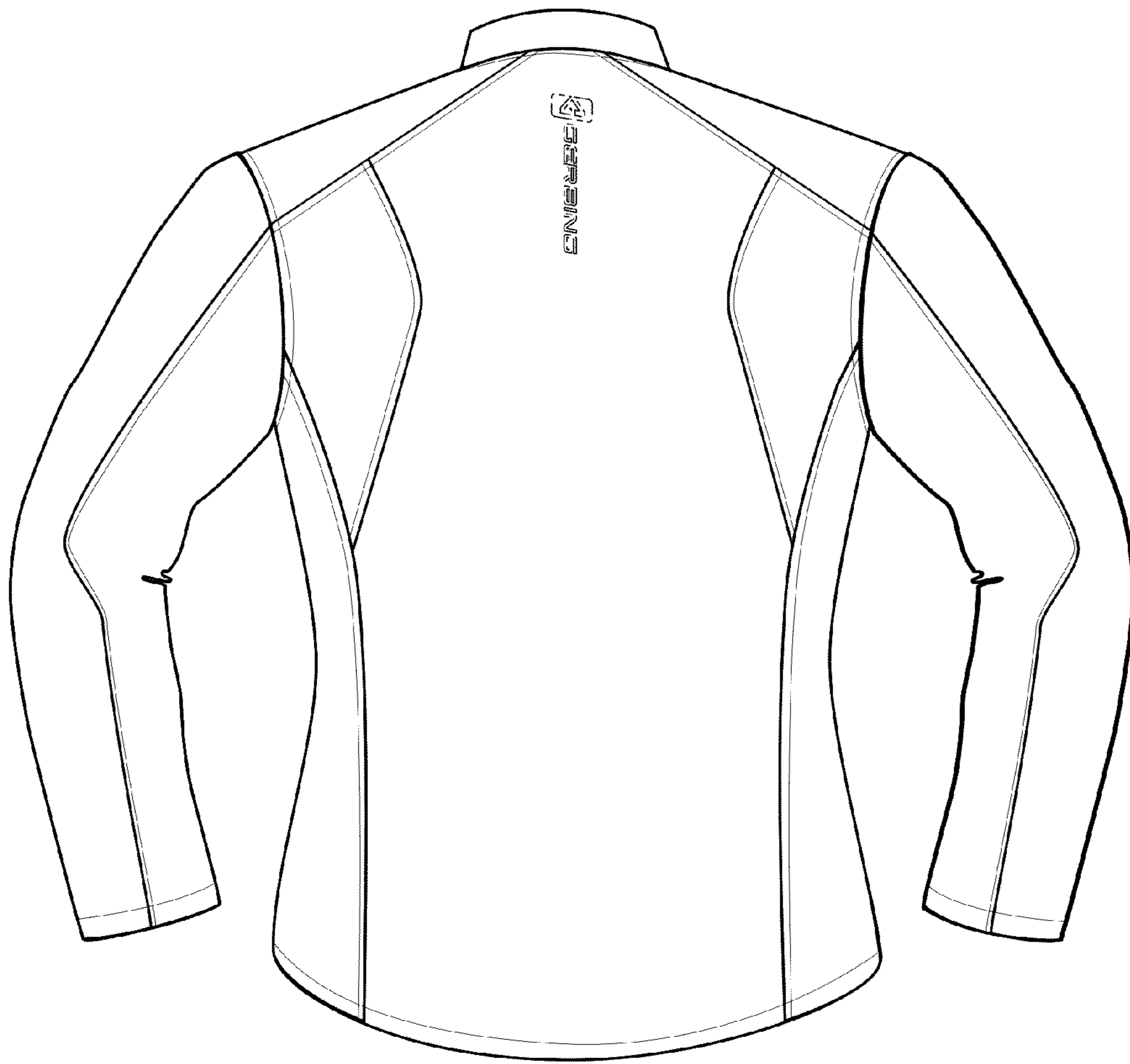


Figure 3



*Figure 4*



*Figure 5*

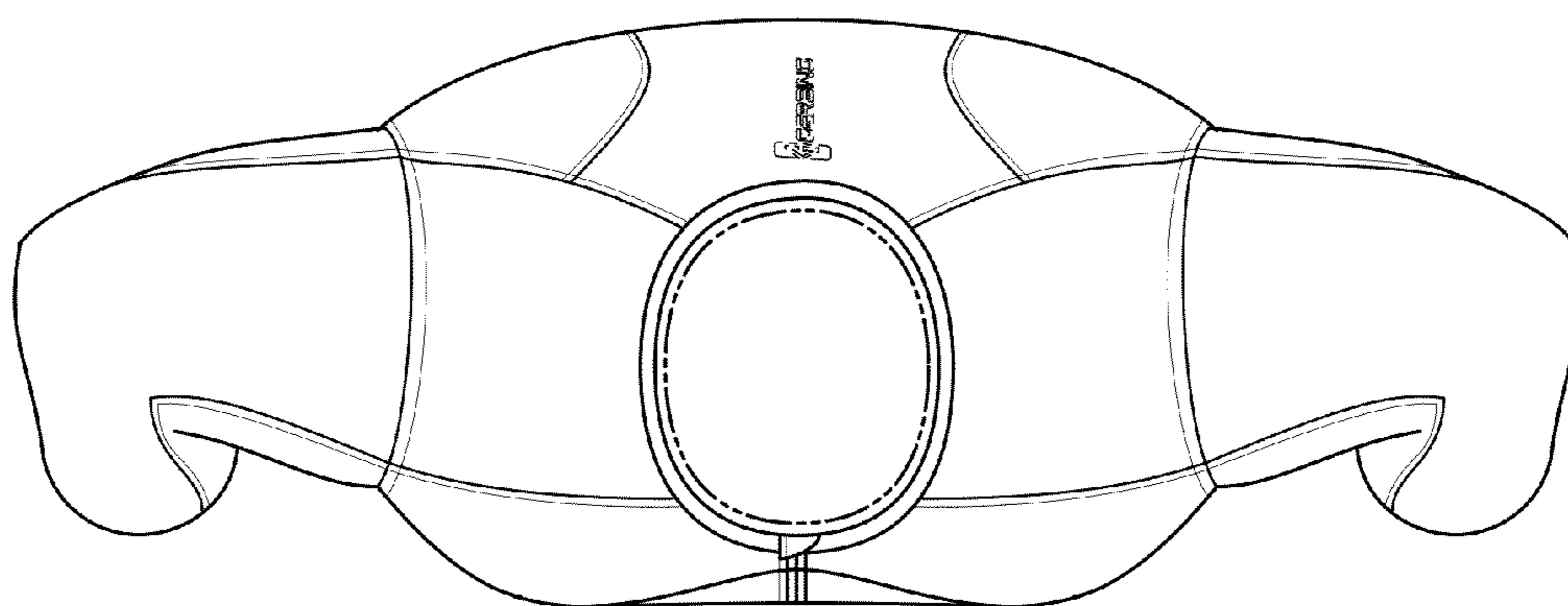


Figure 6

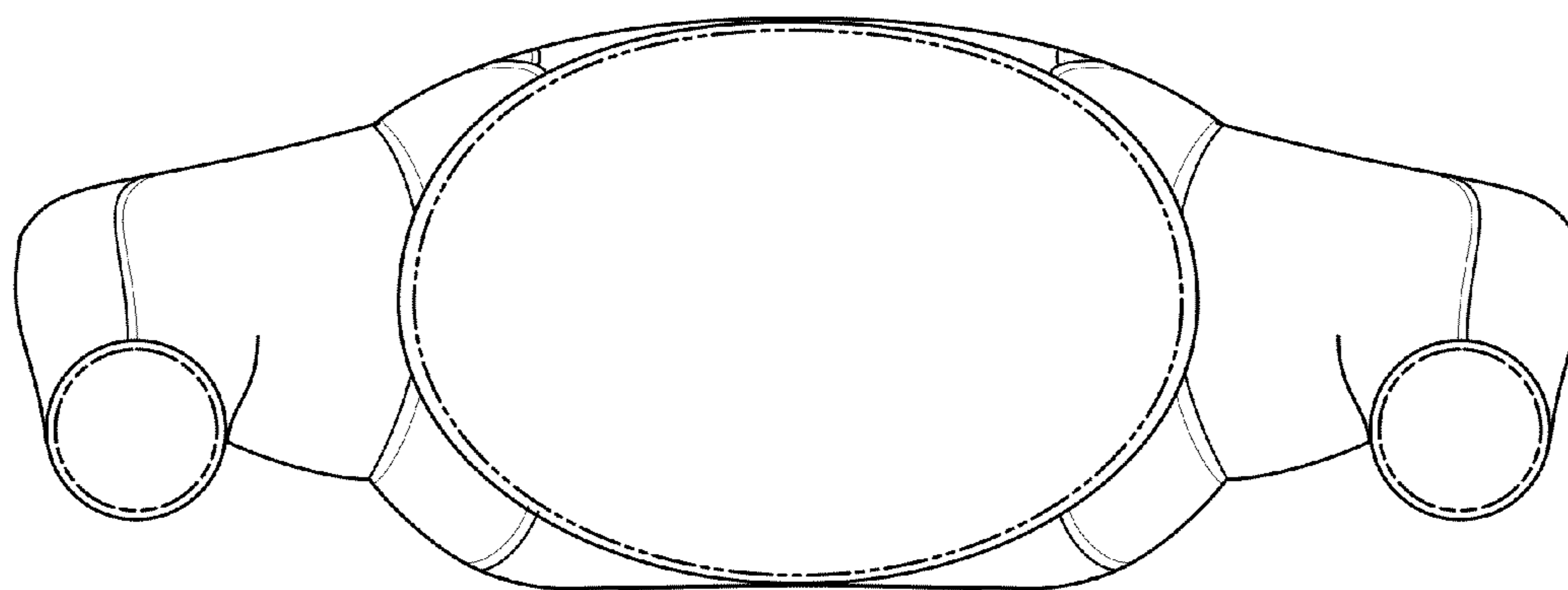


Figure 7