



US00D698515S

(12) **United States Design Patent**  
**Kim**

(10) **Patent No.:** **US D698,515 S**  
(45) **Date of Patent:** **\*\* Jan. 28, 2014**

(54) **STORAGE CABINET FOR TABLETS**

(75) Inventor: **Justin C. Kim**, Great Neck, NY (US)

(73) Assignee: **Jwin Electronics Corp.**, Port Washington, NY (US)

(\*\*) Term: **14 Years**

(21) Appl. No.: **29/425,997**

(22) Filed: **Jun. 29, 2012**

(51) **LOC (10) Cl.** ..... **99-00**

(52) **U.S. Cl.**  
USPC ..... **D99/28**

(58) **Field of Classification Search**  
USPC ..... D99/28, 34, 35, 36, 43, 99; D6/663,  
D6/664; 206/0.8, 0.81, 0.815, 0.82, 0.83,  
206/0.84; 109/1 R, 1 V, 2, 45, 23, 24.1, 58,  
109/59 R; 446/8-13

See application file for complete search history.

(56) **References Cited**

**U.S. PATENT DOCUMENTS**

D118,366 S *	1/1940	Davis	.....	D99/28
2,635,563 A *	4/1953	McBride	.....	109/58
D206,033 S *	10/1966	Koch	.....	D99/28
4,391,204 A *	7/1983	Mitchell et al.	.....	109/39
D273,052 S *	3/1984	Snodgrass	.....	D99/28
4,669,394 A *	6/1987	Fogleman et al.	.....	109/59 T
D291,019 S *	7/1987	Druihet	.....	D99/28
D308,279 S *	5/1990	Hill	.....	D99/35
D308,744 S *	6/1990	Arauchi	.....	D99/28
D314,406 S *	2/1991	Lerch	.....	D21/519
D319,329 S *	8/1991	Ogasawara et al.	.....	D99/28
D327,793 S *	7/1992	McGrory	.....	D6/448

D485,041 S *	1/2004	Paris et al.	.....	D99/28
D485,419 S *	1/2004	Paris et al.	.....	D99/43
D487,179 S *	2/2004	Traversie et al.	.....	D99/28
D503,255 S *	3/2005	Lynch et al.	.....	D99/43
D521,730 S *	5/2006	Lang	.....	D3/273
D557,875 S *	12/2007	Stuhlbarg et al.	.....	D99/28
D617,974 S *	6/2010	Alfeld, Sr.	.....	D99/28
D620,675 S *	7/2010	Doettling	.....	D99/28

\* cited by examiner

*Primary Examiner* — Elizabeth J Oswecki

(74) *Attorney, Agent, or Firm* — Greenberg Traurig, LLP

(57) **CLAIM**

The ornamental design for a storage cabinet for tablets, as shown and described.

**DESCRIPTION**

FIG. 1 is a front view of a storage cabinet for tablets showing my new design;

FIG. 2 is a front view thereof, with the door shown in an open position;

FIG. 3 is a rear view thereof;

FIG. 4 is a top view thereof;

FIG. 5 is a right view thereof;

FIG. 6 is a left view thereof;

FIG. 7 is a front perspective view thereof;

FIG. 8 is a front perspective view thereof, with the door shown in an open position;

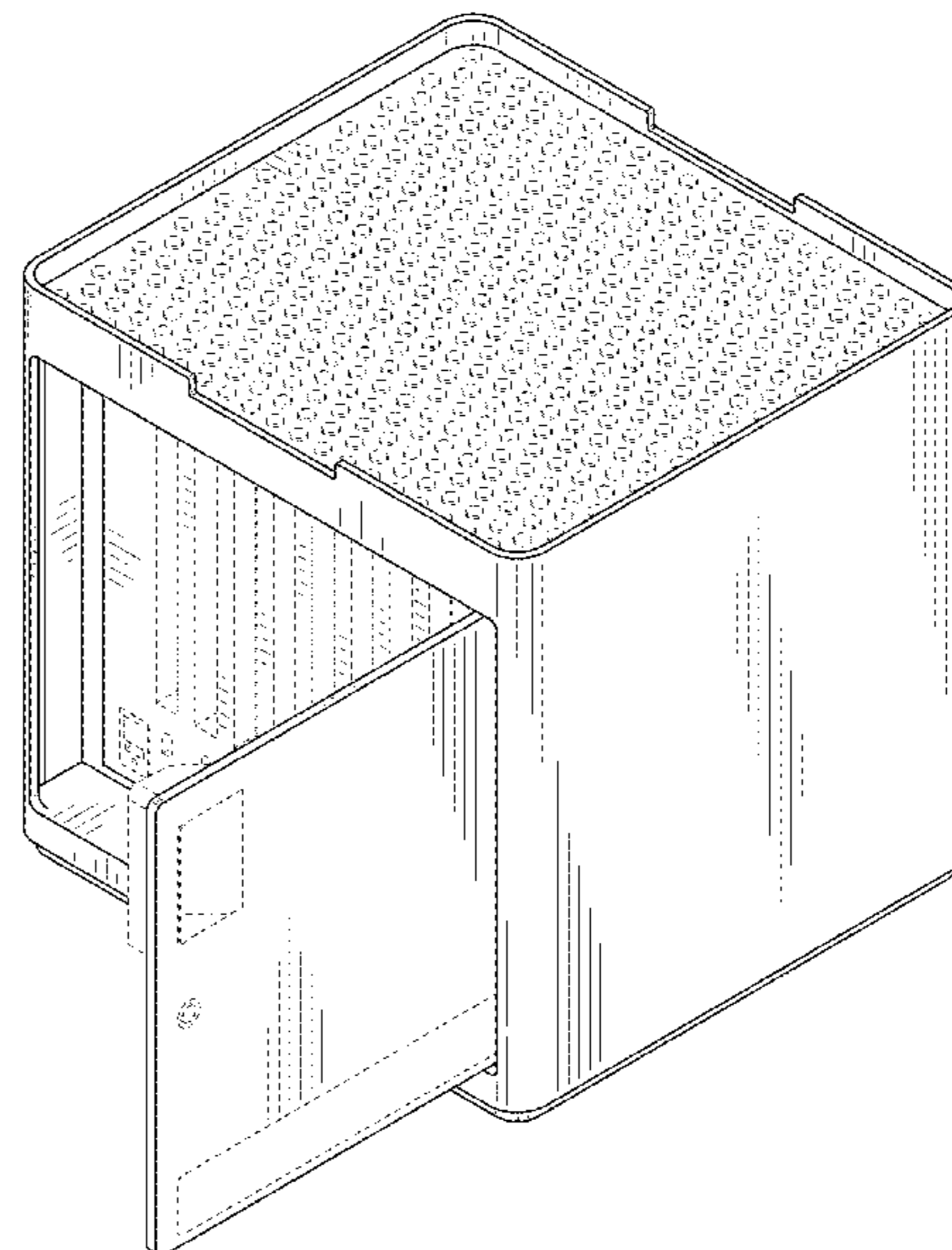
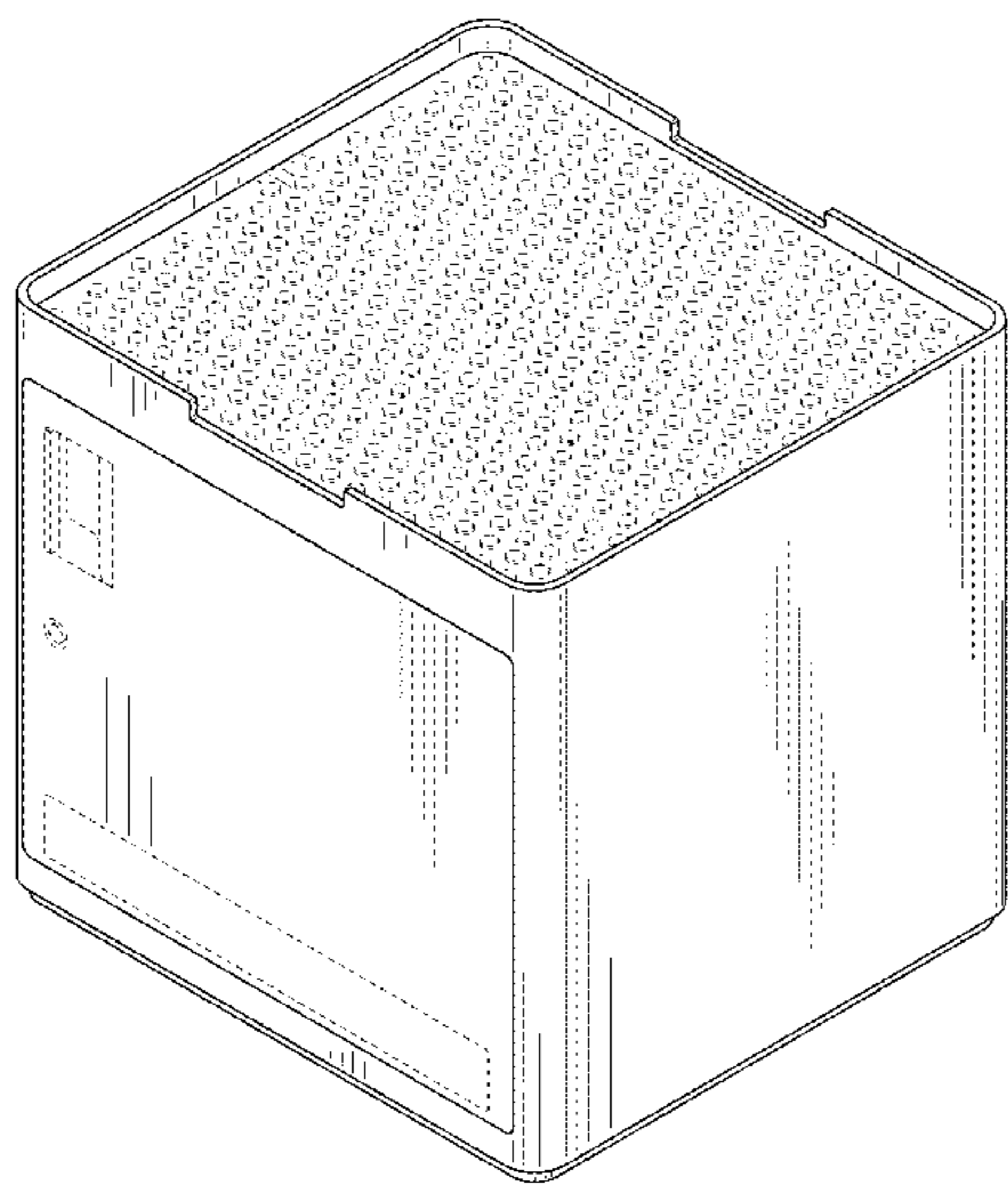
FIG. 9 is a front perspective view thereof, with the door shown in a stowed position; and,

FIG. 10 is a rear perspective view thereof.

All surfaces not shown form no part of the claimed design.

All structure and features shown in broken lines form no part of the claimed design.

**1 Claim, 7 Drawing Sheets**



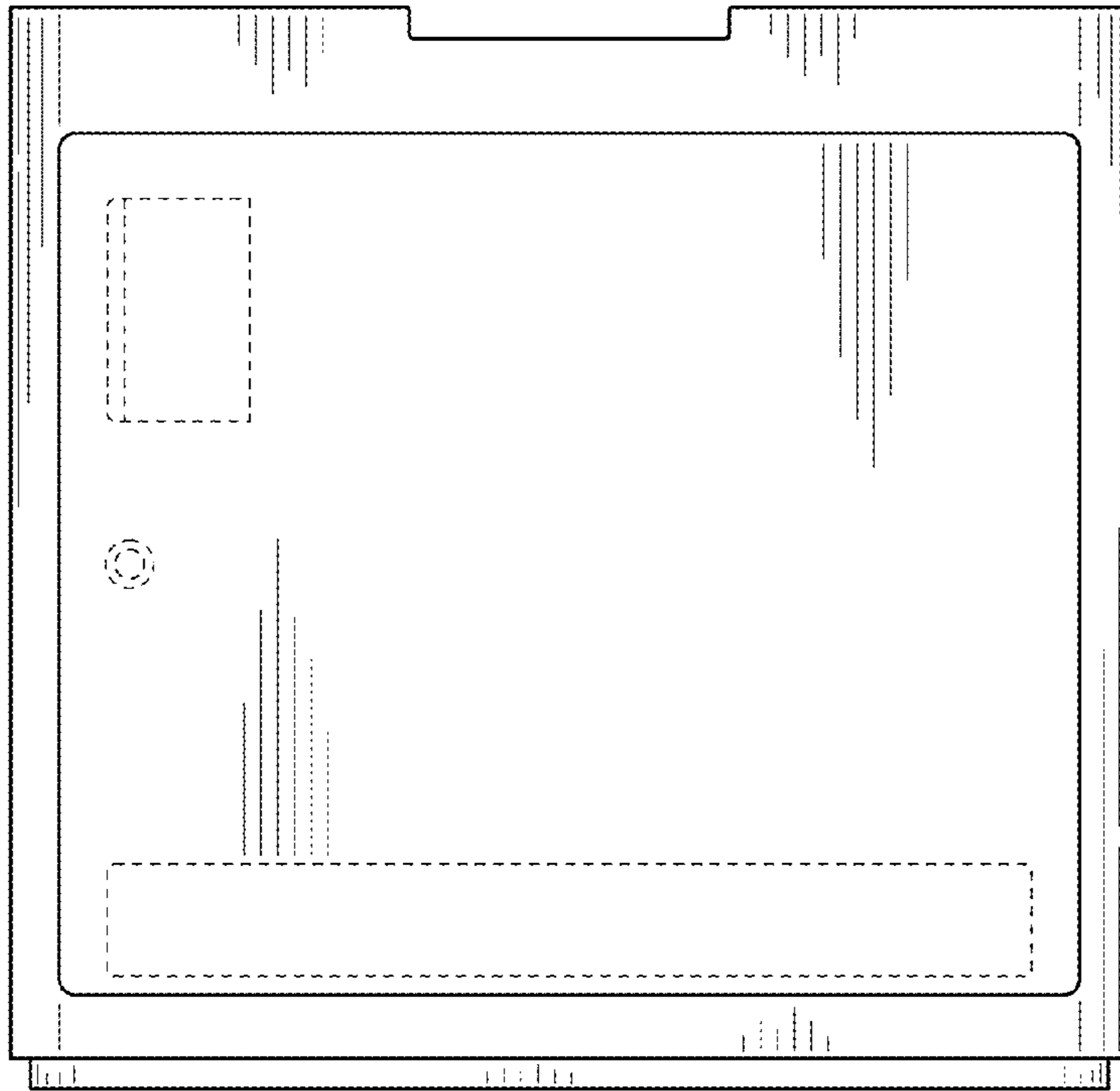


FIG. 1

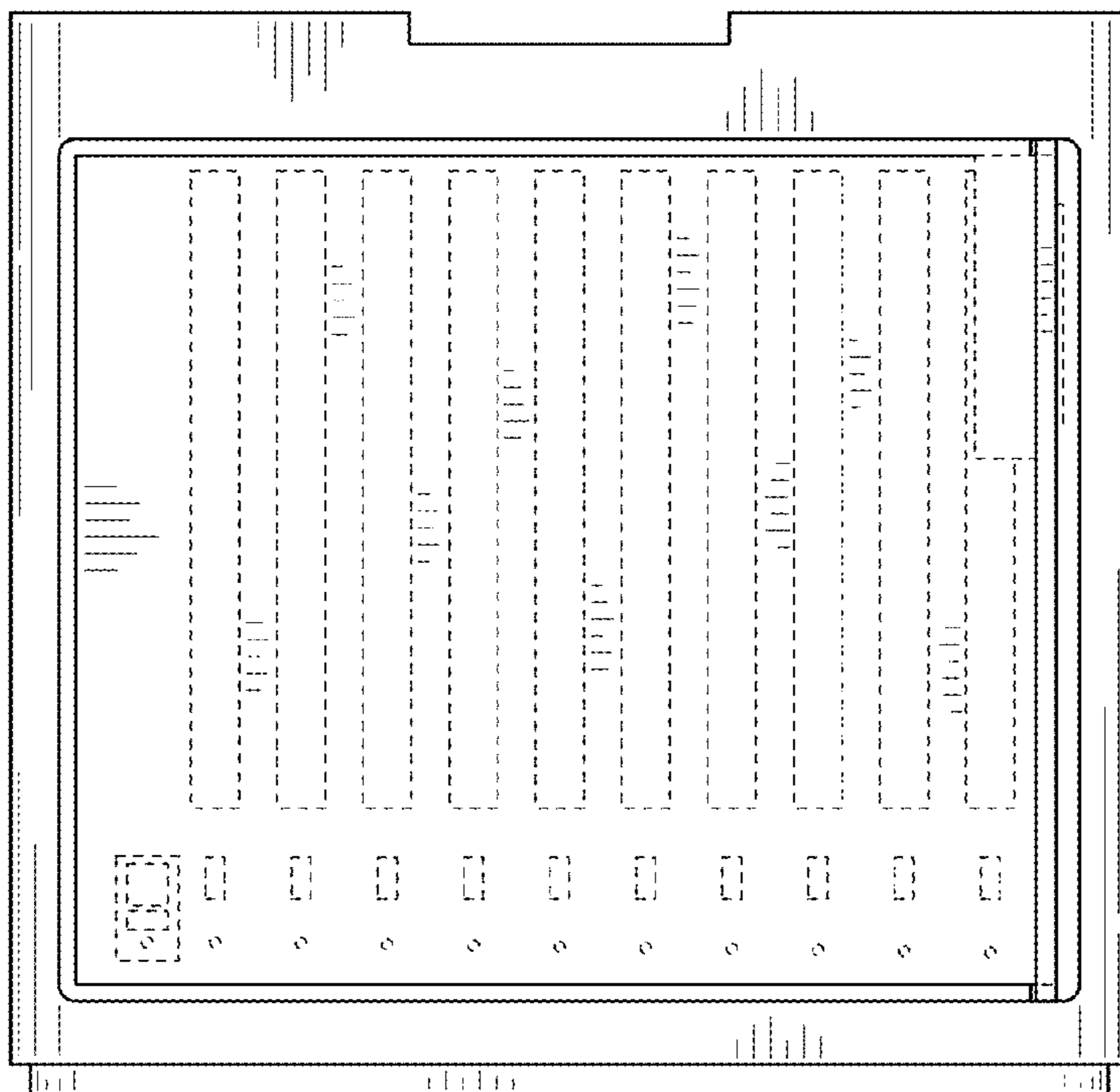


FIG. 2

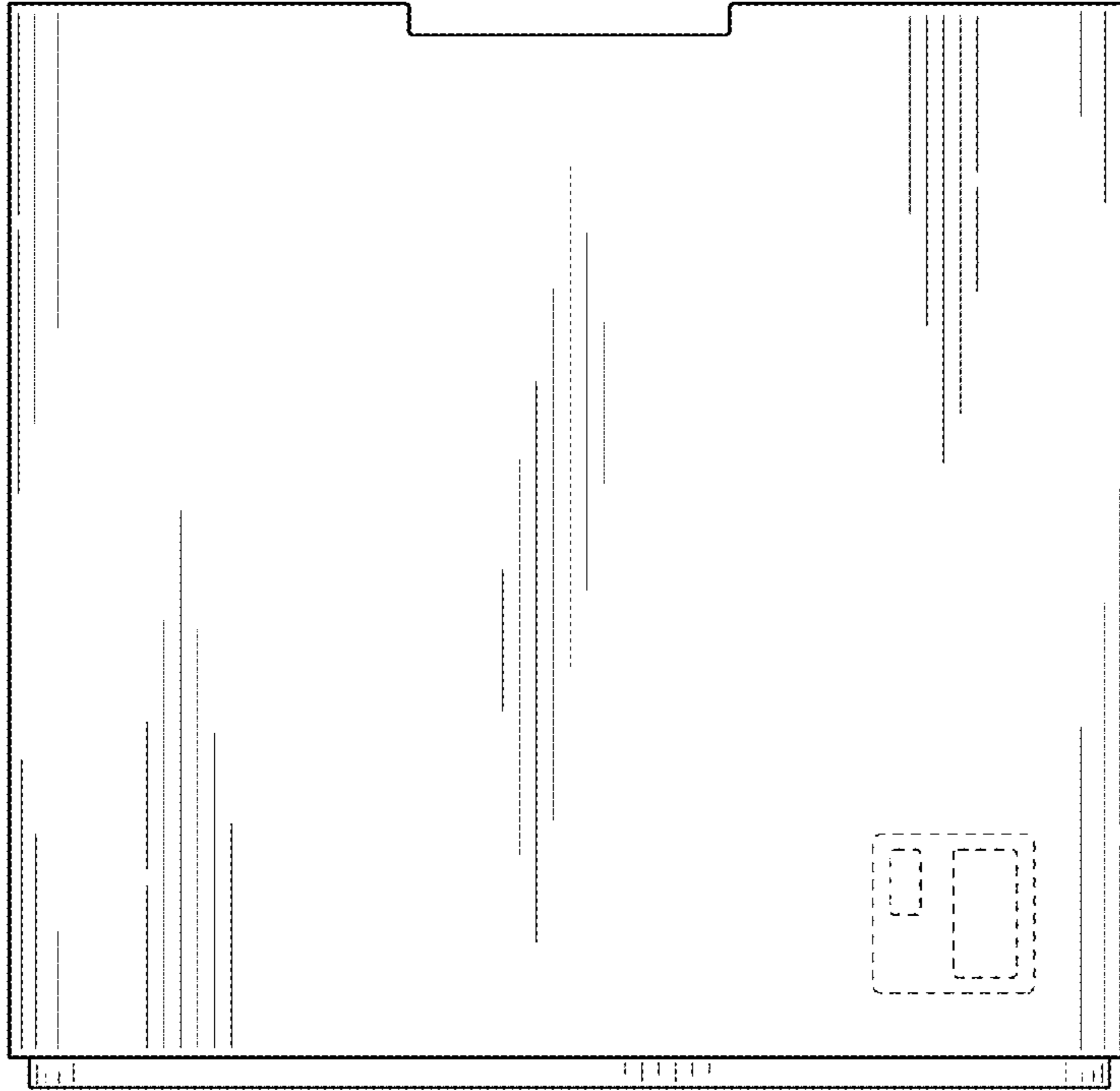


FIG. 3

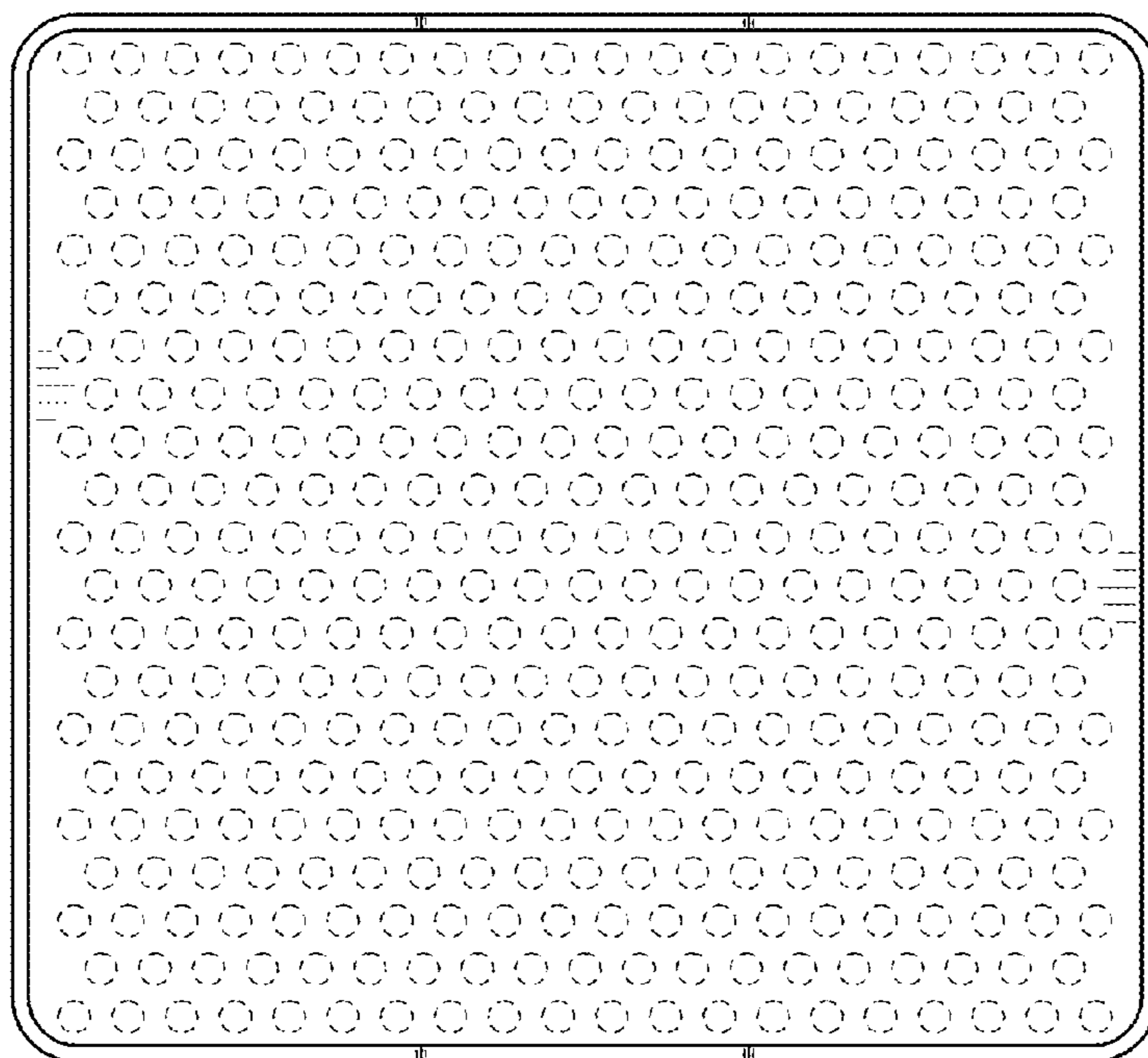


FIG. 4

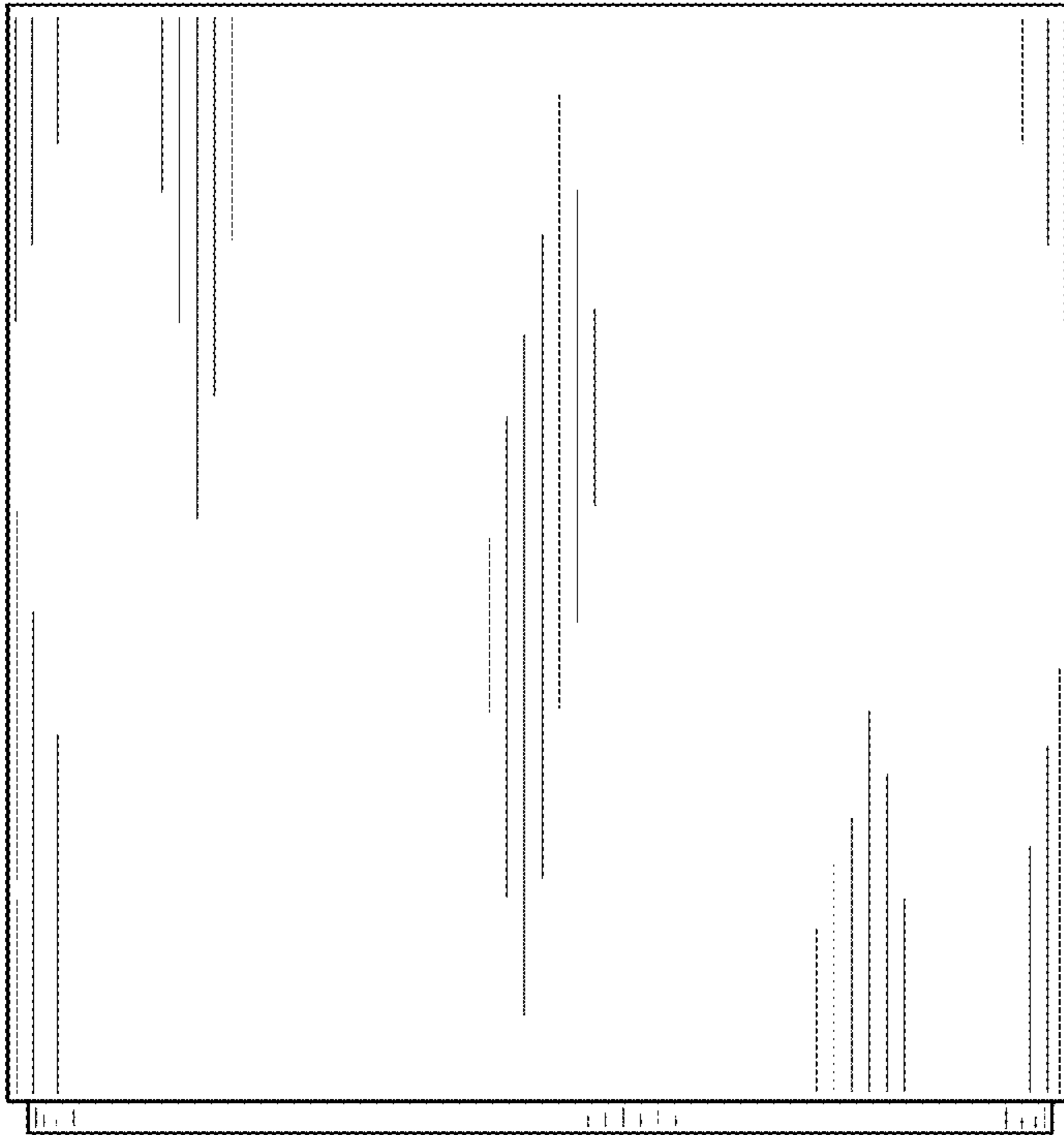


FIG. 5

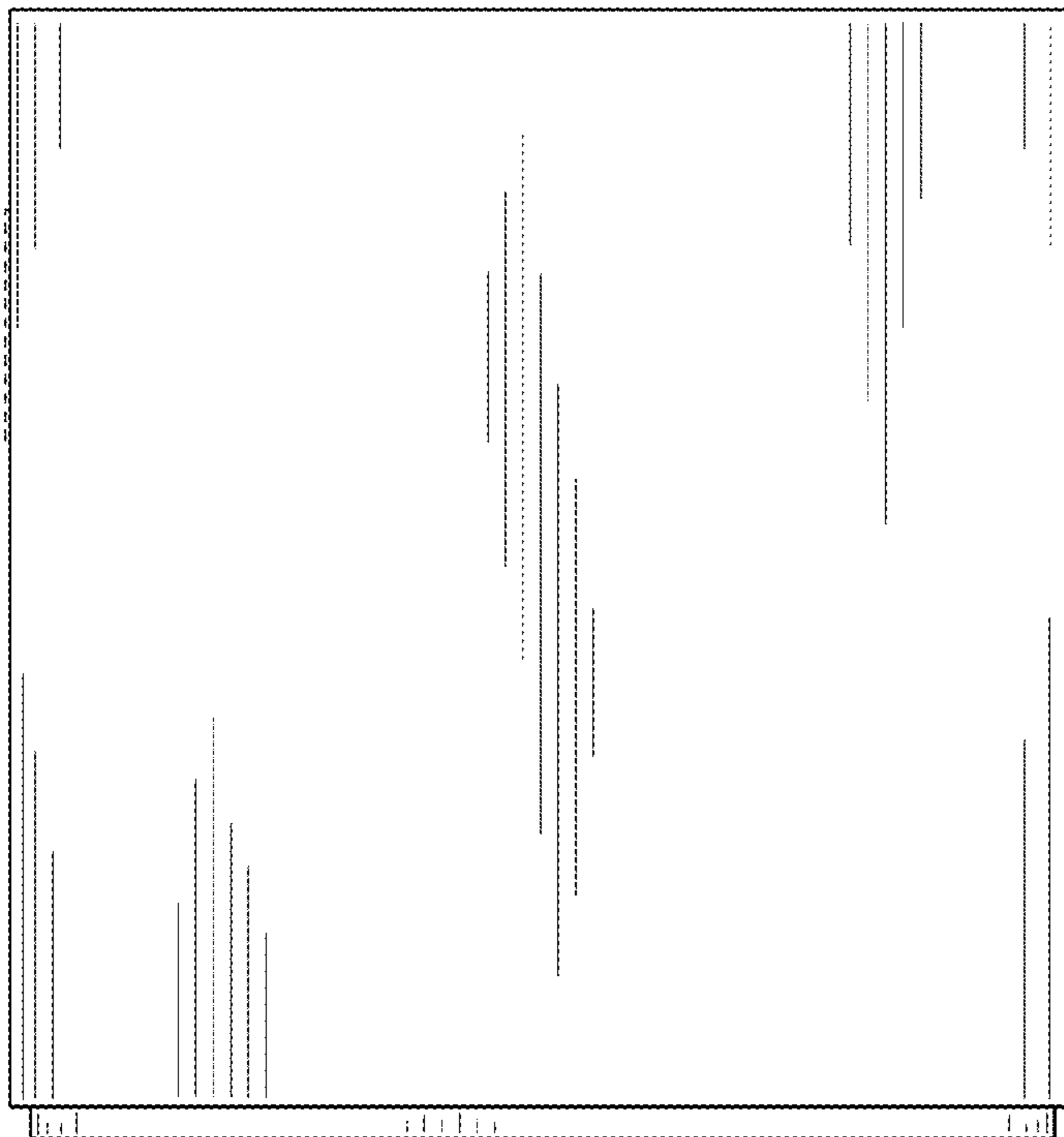


FIG. 6

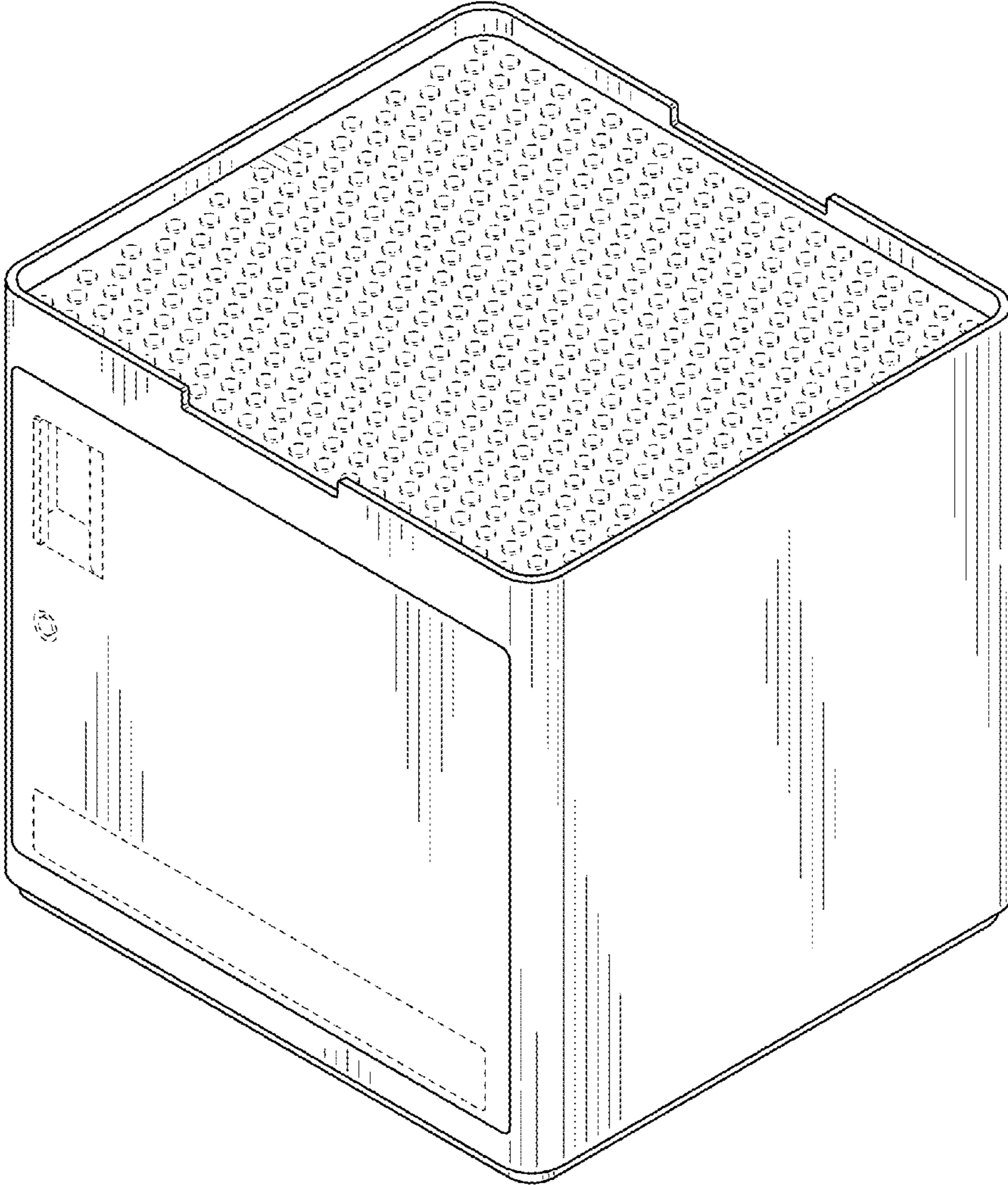


FIG. 7

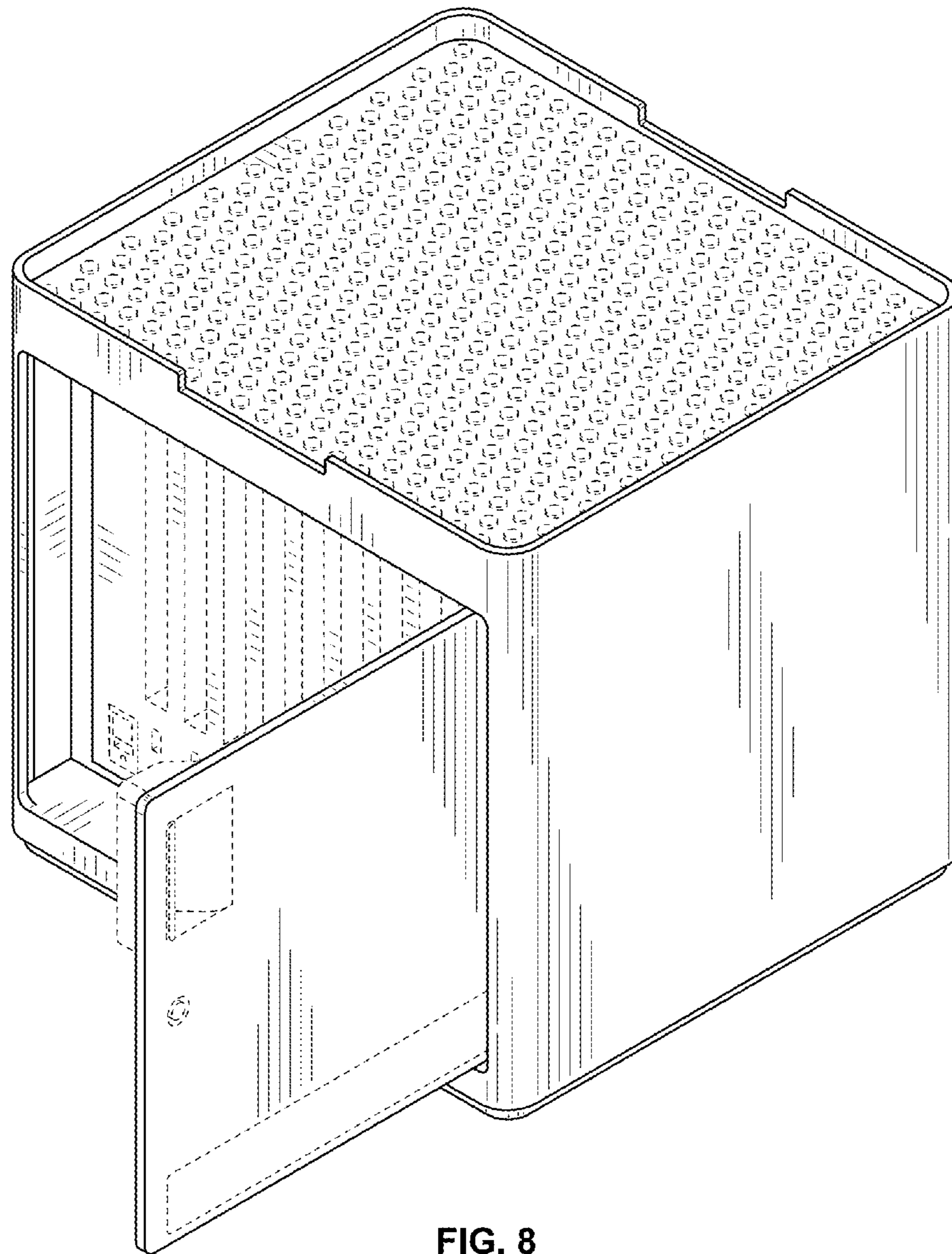


FIG. 8

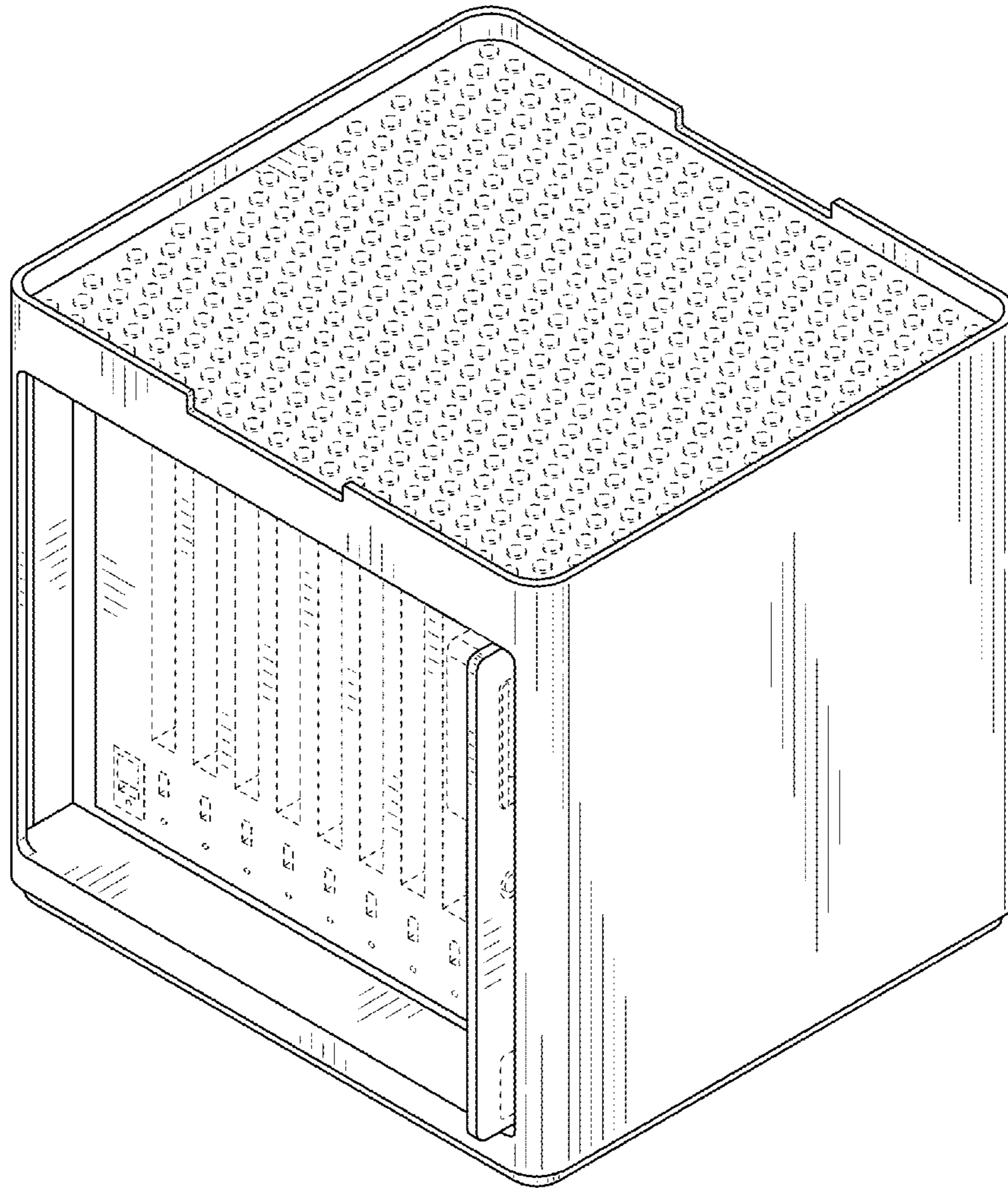


FIG. 9

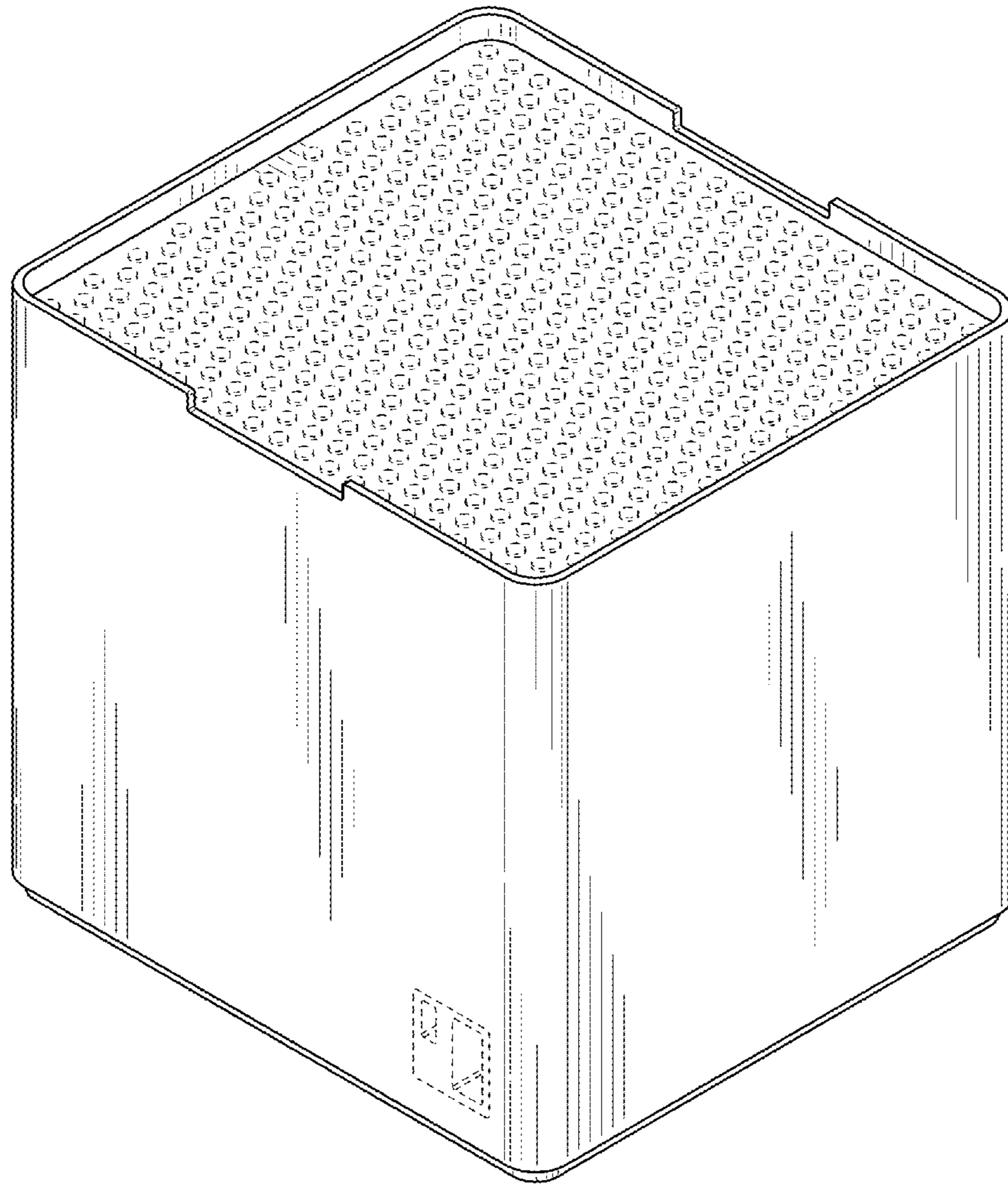


FIG. 10