



US00D698512S

(12) **United States Design Patent**
Howard

(10) **Patent No.:** **US D698,512 S**
(45) **Date of Patent:** **** Jan. 28, 2014**

(54) **MOP BUCKET**

(71) Applicant: **Michael Paul Howard**, Rochdale (GB)

(72) Inventor: **Michael Paul Howard**, Rochdale (GB)

(**) Term: **14 Years**

(21) Appl. No.: **29/467,517**

(22) Filed: **Sep. 20, 2013**

(51) **LOC (10) Cl.** **07-07**

(52) **U.S. Cl.**
USPC **D32/53**

(58) **Field of Classification Search**
USPC D32/53, 53.1, 54; D34/23; 280/79.5;
15/260-264; 220/904
See application file for complete search history.

(56) **References Cited**

U.S. PATENT DOCUMENTS

6,115,877 A * 9/2000 Morad et al. 15/261
D499,223 S * 11/2004 Libman et al. D32/53
D518,262 S * 3/2006 Jurgens D32/53
D527,506 S * 8/2006 Camp et al. D32/53

D557,472 S * 12/2007 Renner D32/53
D633,675 S * 3/2011 Libman et al. D32/53
D645,628 S * 9/2011 Tseng D32/53
8,056,179 B2 * 11/2011 Hsu 15/260

* cited by examiner

Primary Examiner — Robin V Webster

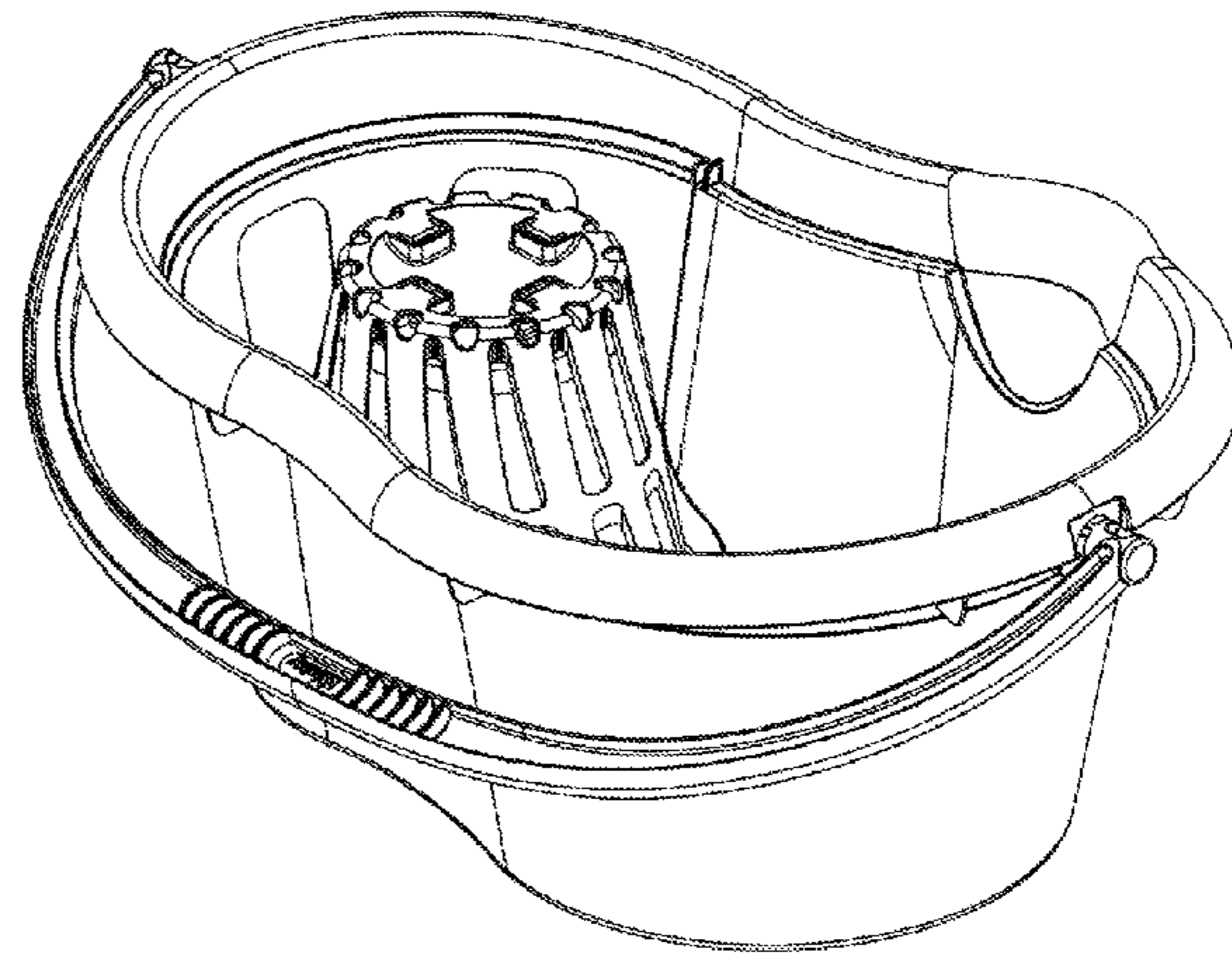
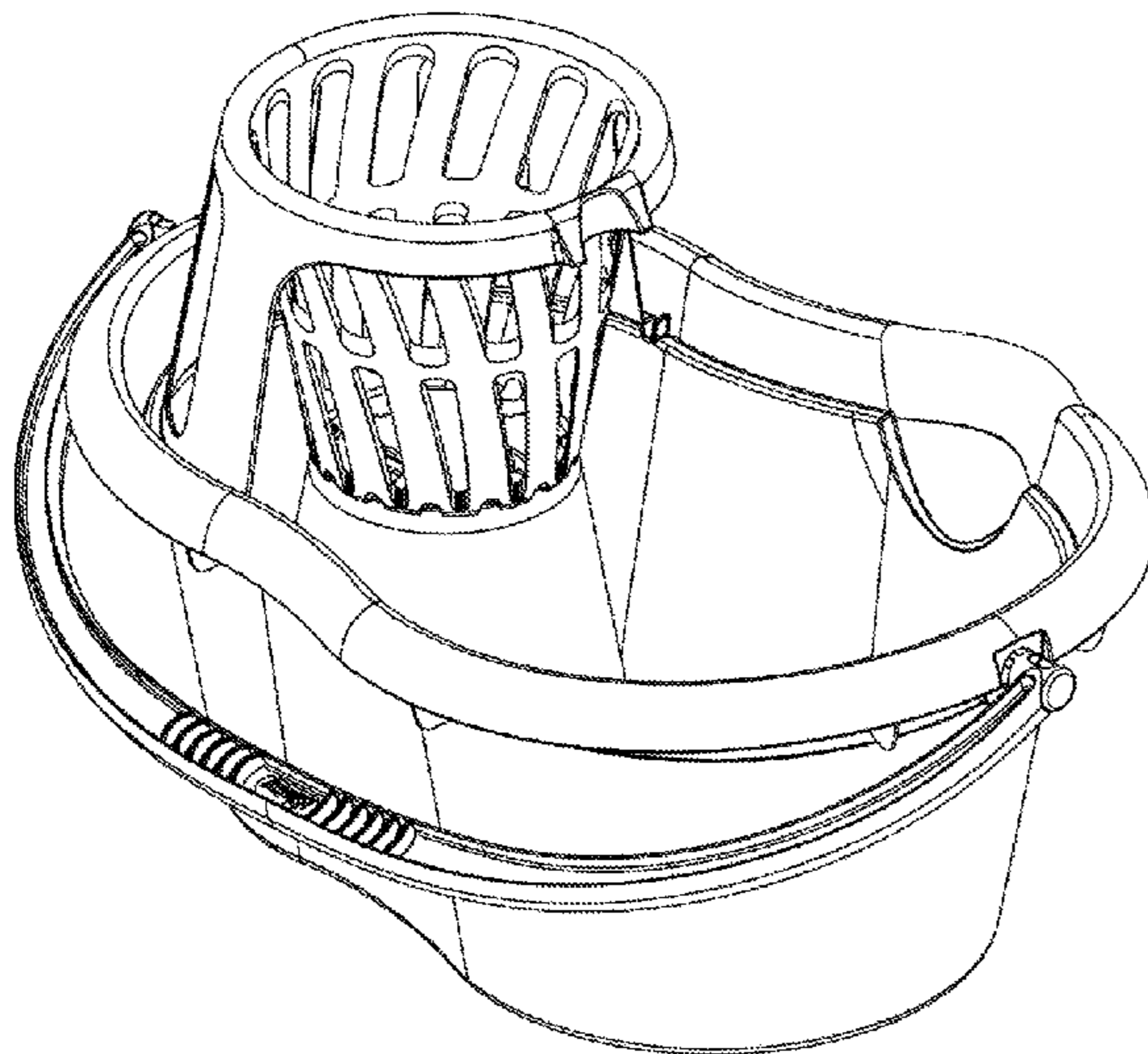
(57) **CLAIM**

The ornamental design for a mop bucket, as shown and described.

DESCRIPTION

FIG. 1 is a front three quarter perspective view of our new design
FIG. 2 is a rear three quarter perspective view thereof
FIG. 3 is a right side elevation thereof
FIG. 4 is a left side elevation thereof
FIG. 5 is a rear elevation thereof
FIG. 6 is a front elevation thereof
FIG. 7 is a top elevation thereof
FIG. 8 is a bottom elevation thereof; and,
FIG. 9 is a front three quarter perspective view thereof with the wringer in the packed position.

1 Claim, 5 Drawing Sheets



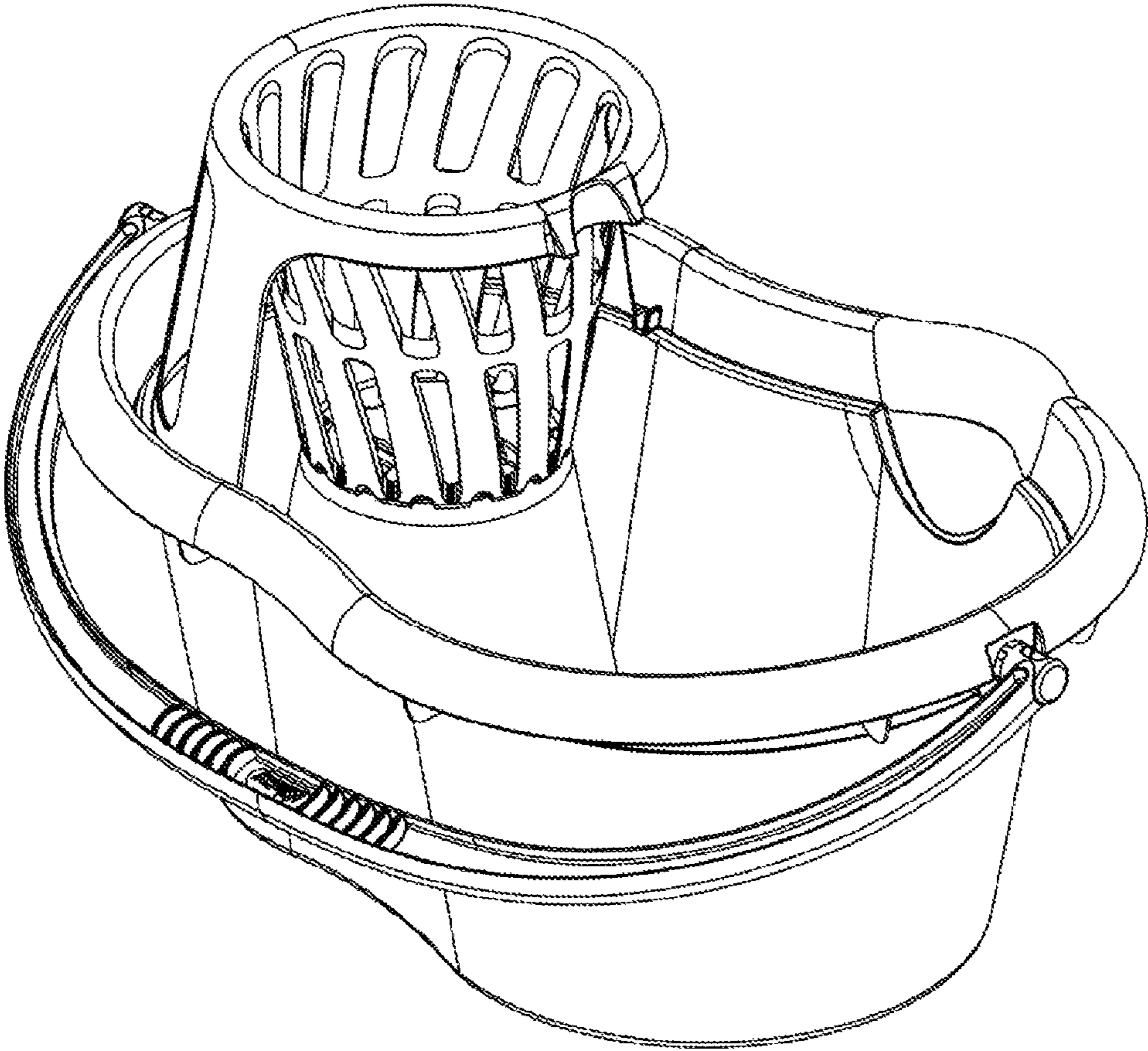


Fig. 1

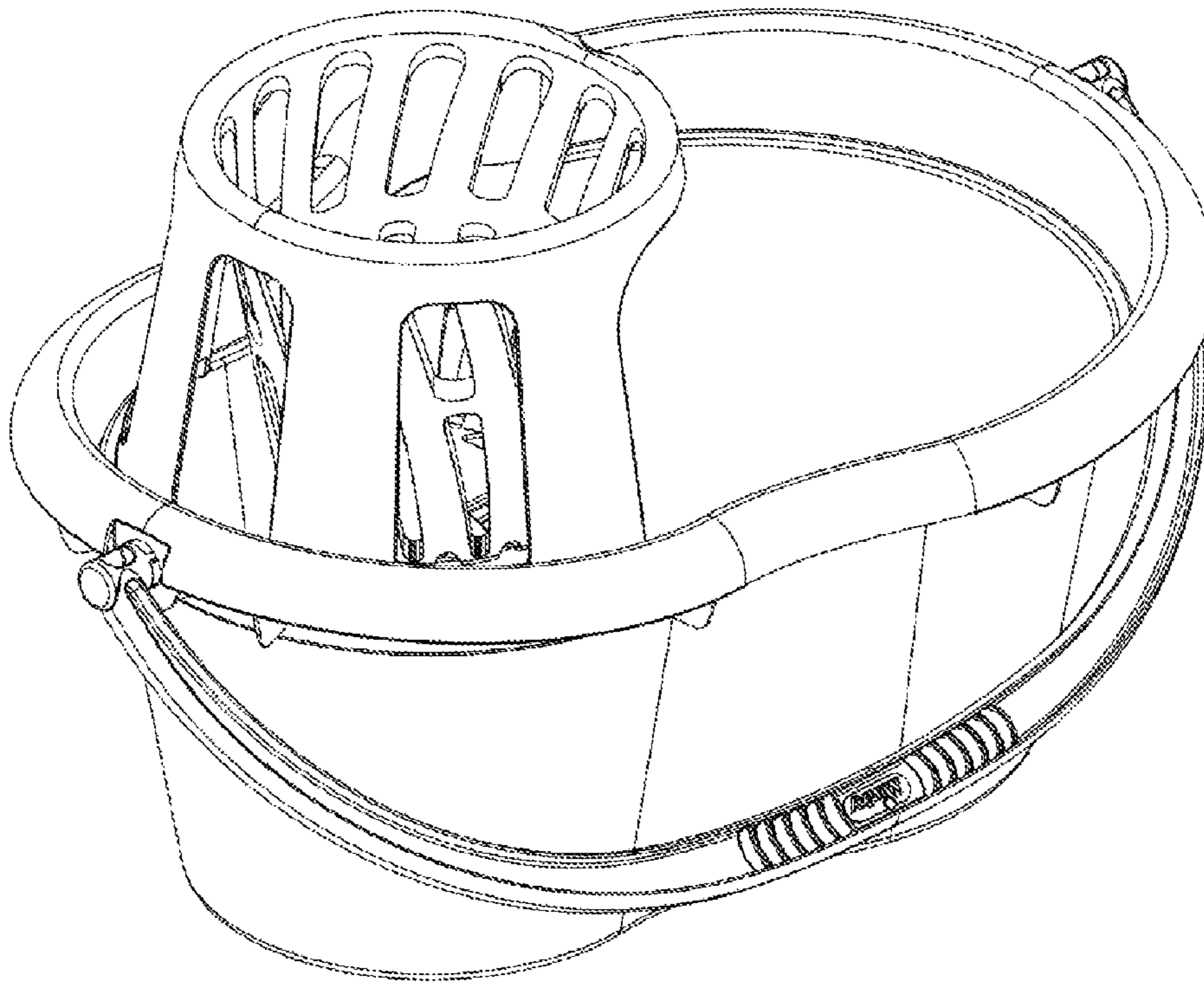


Fig. 2

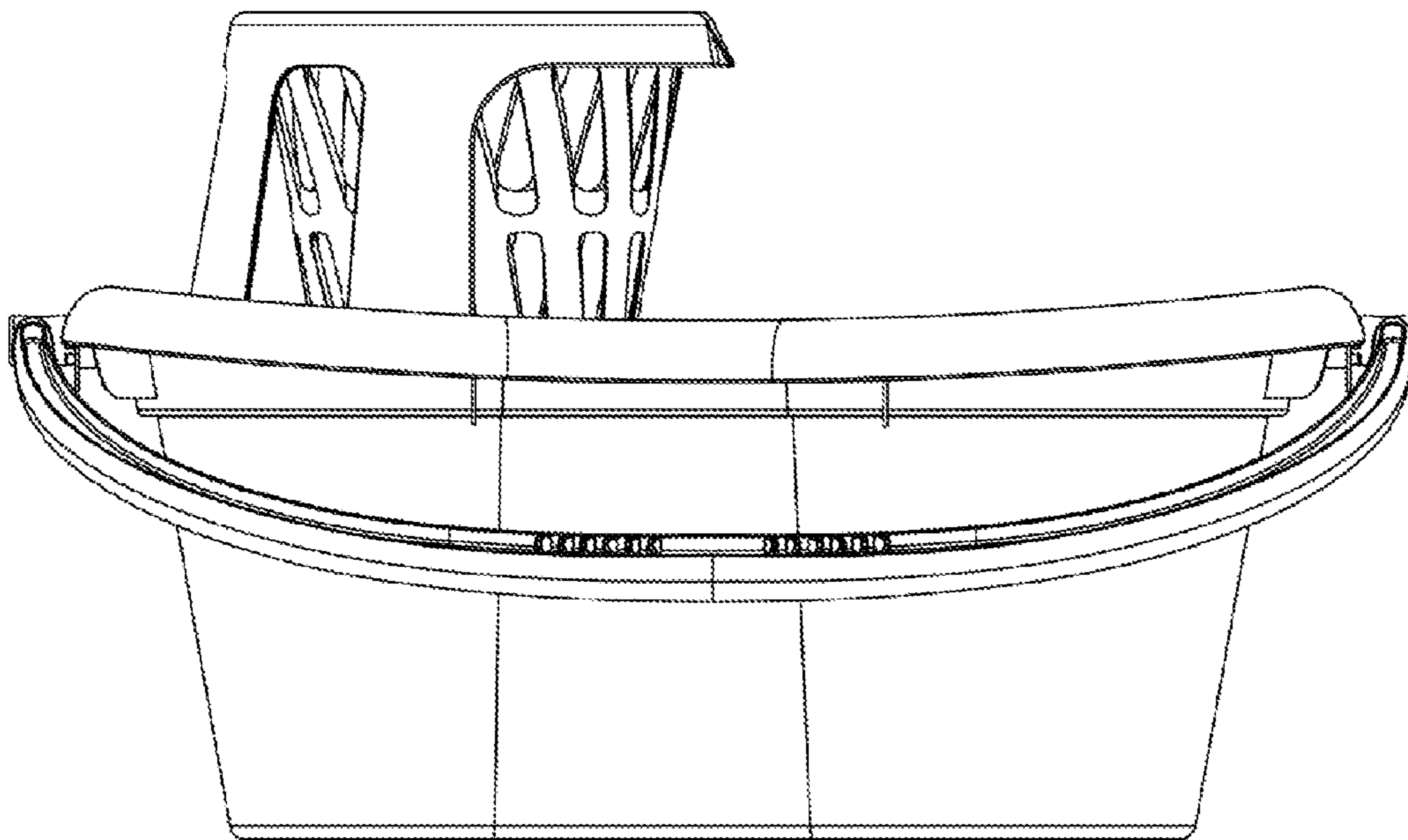


Fig. 3

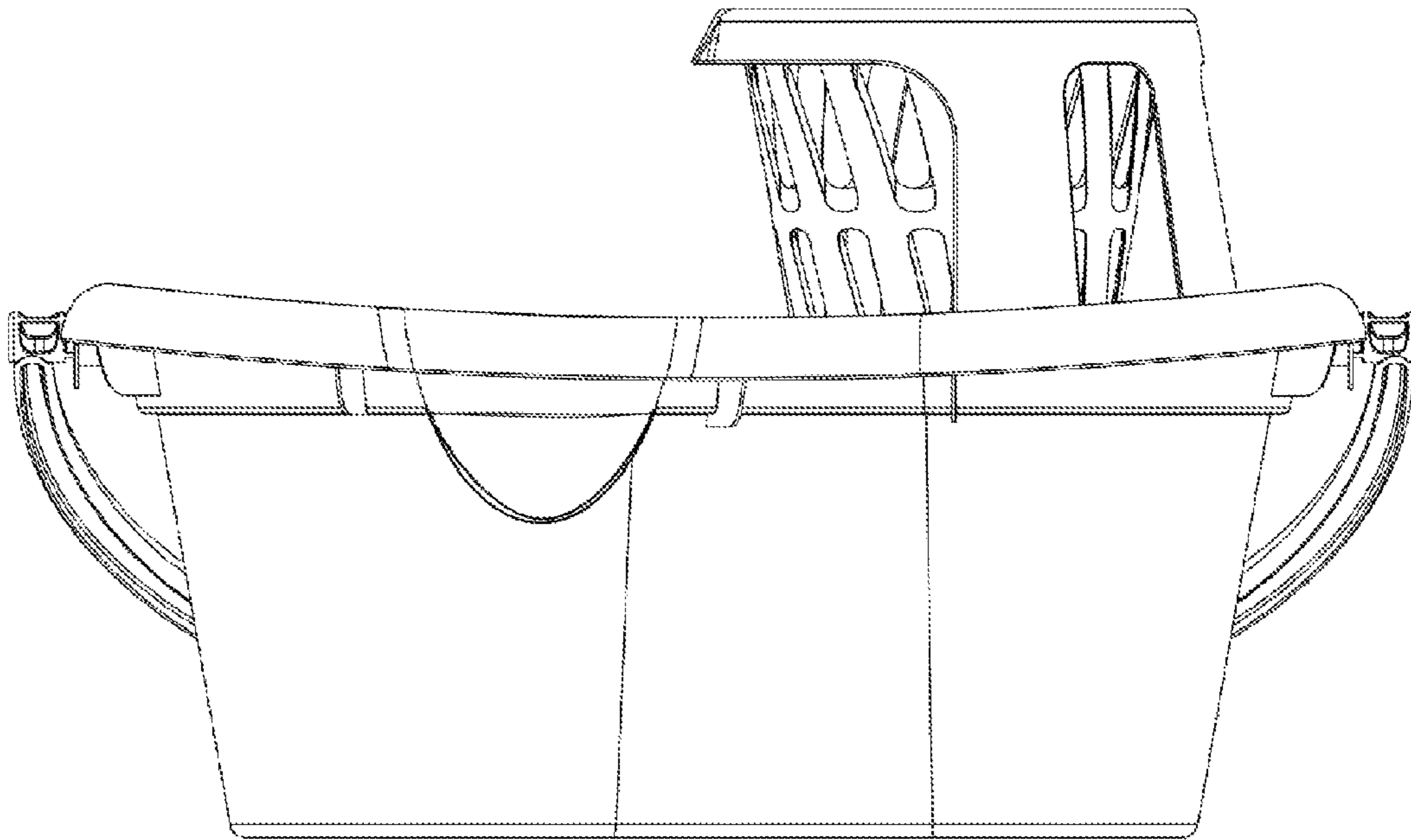


Fig. 4

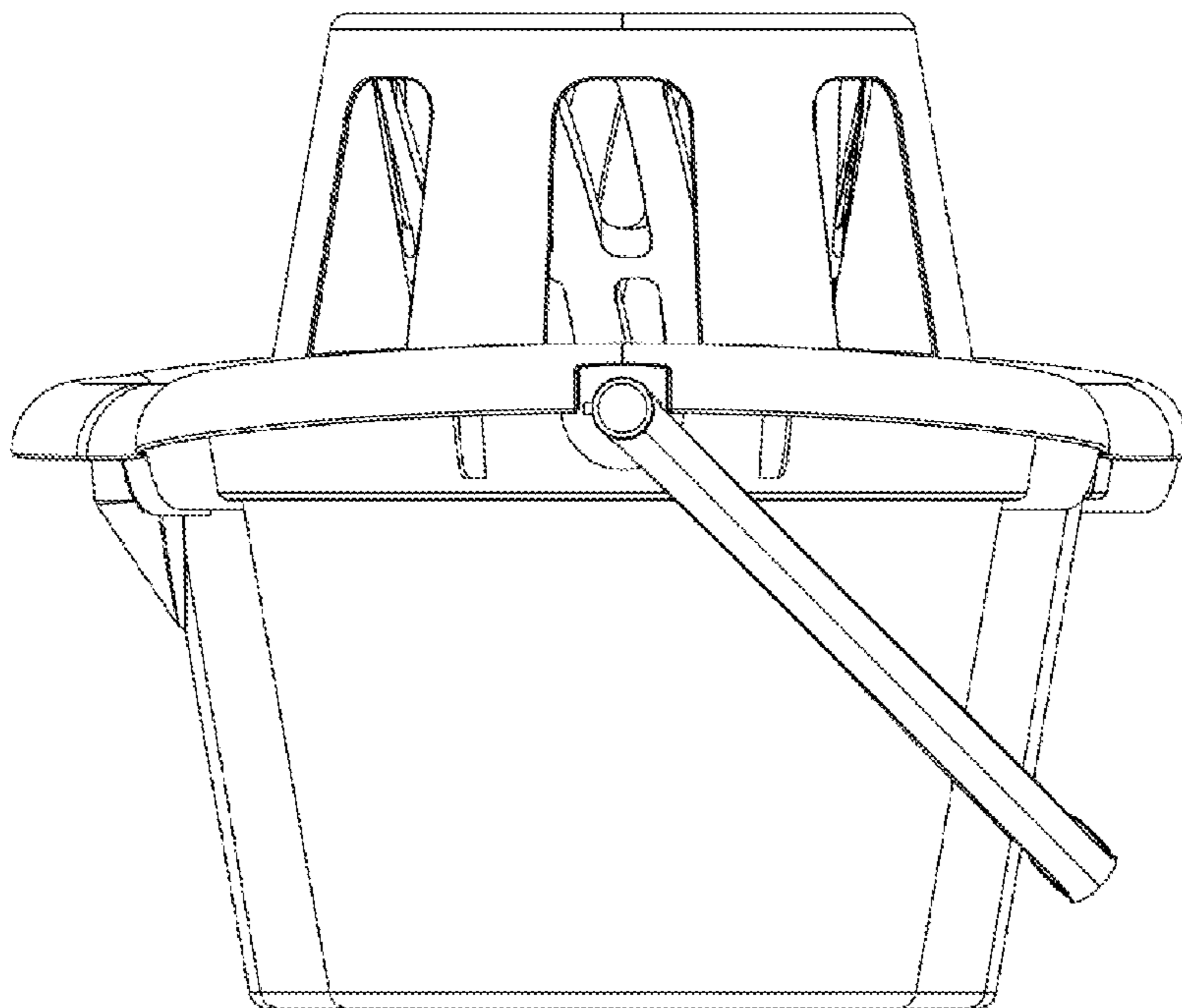


Fig. 5

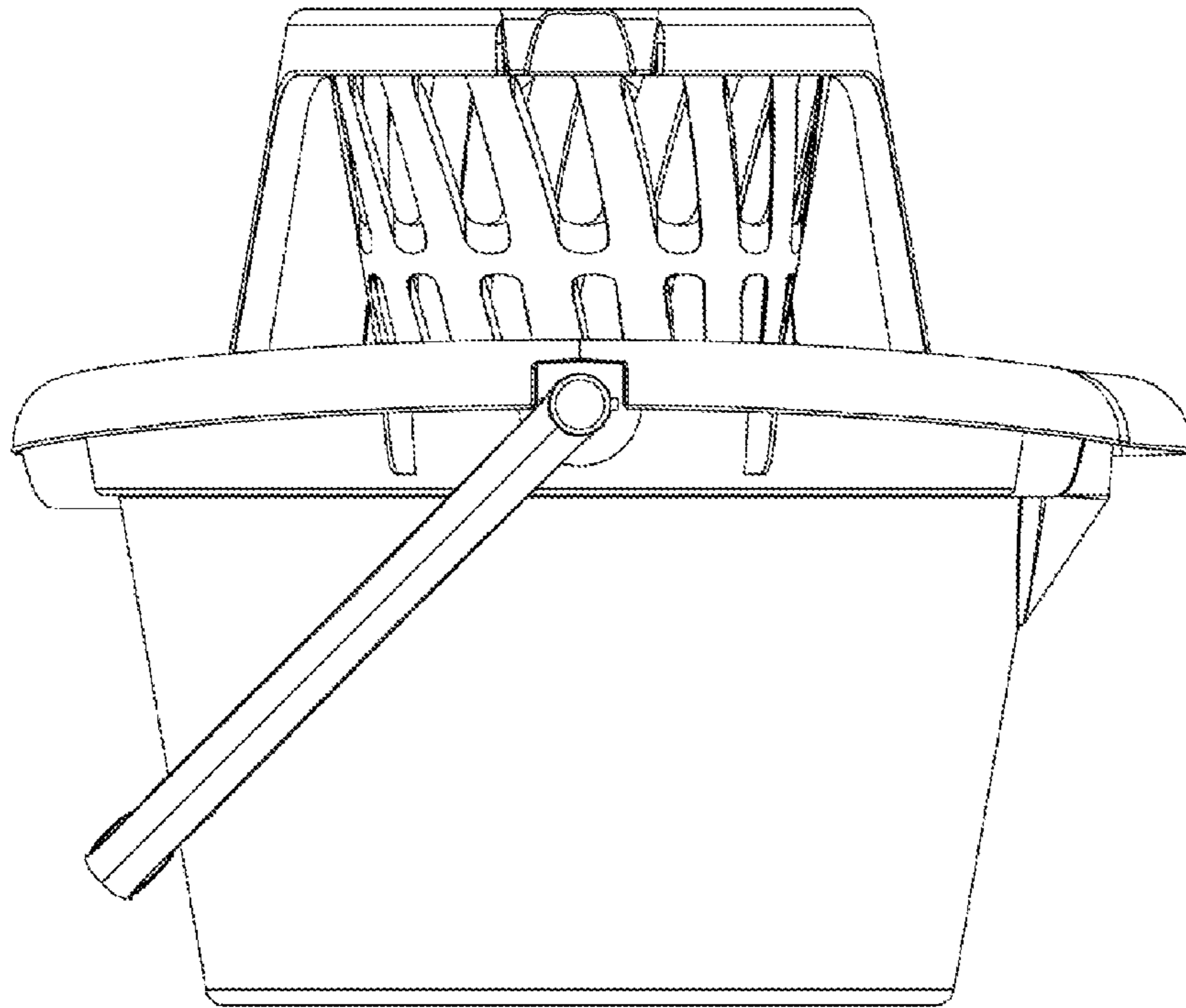


Fig. 6

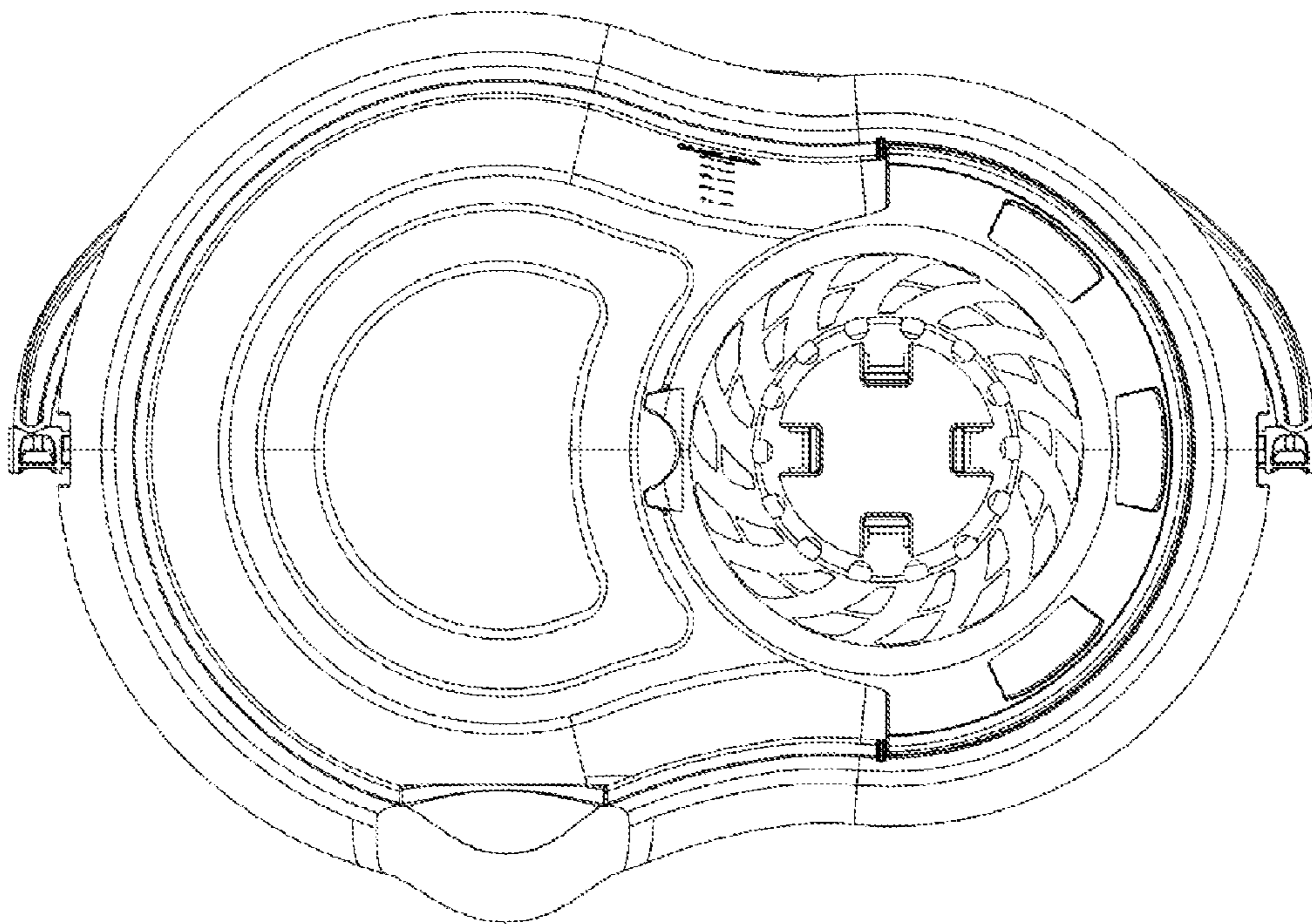


Fig. 7

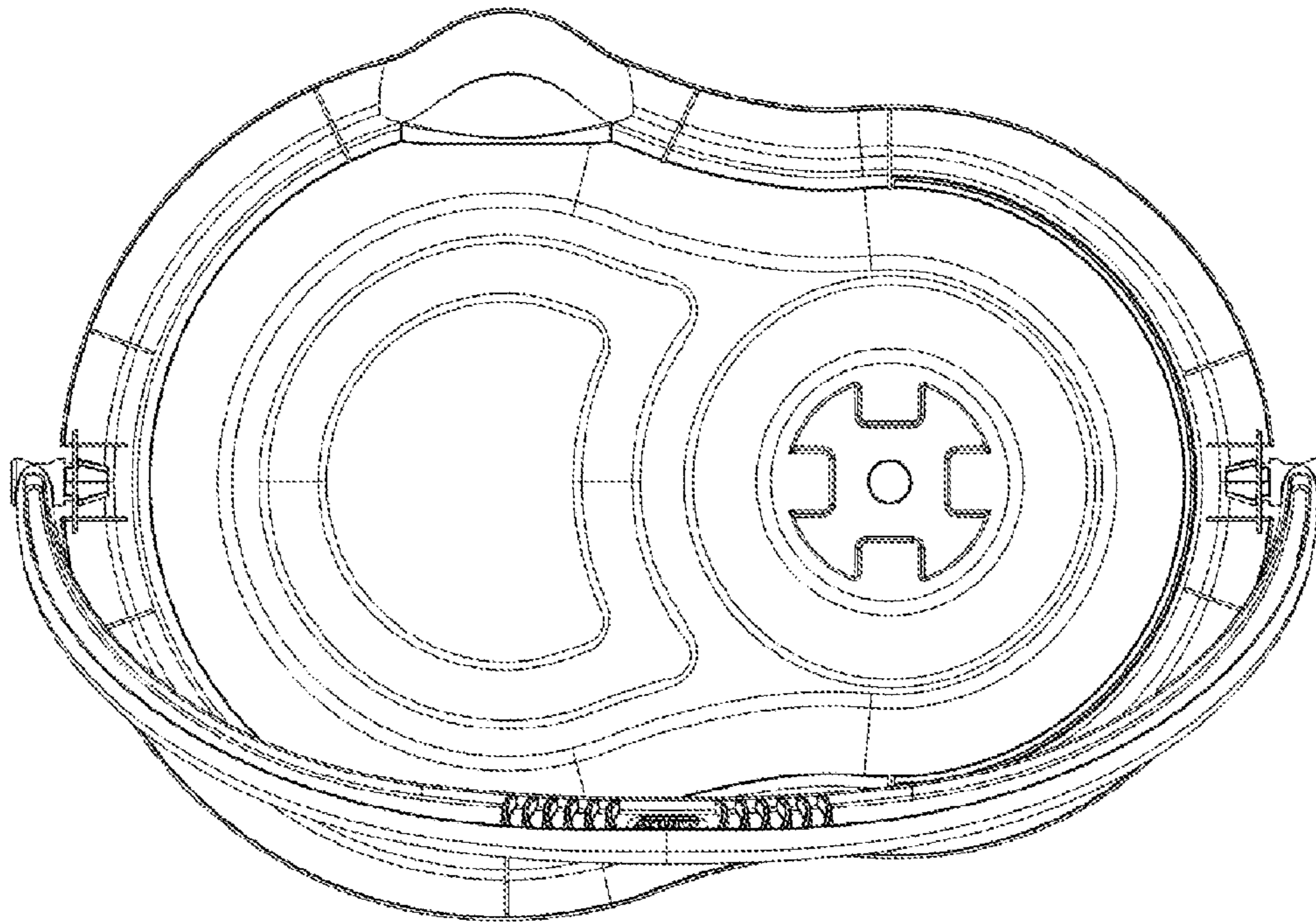


Fig. 8

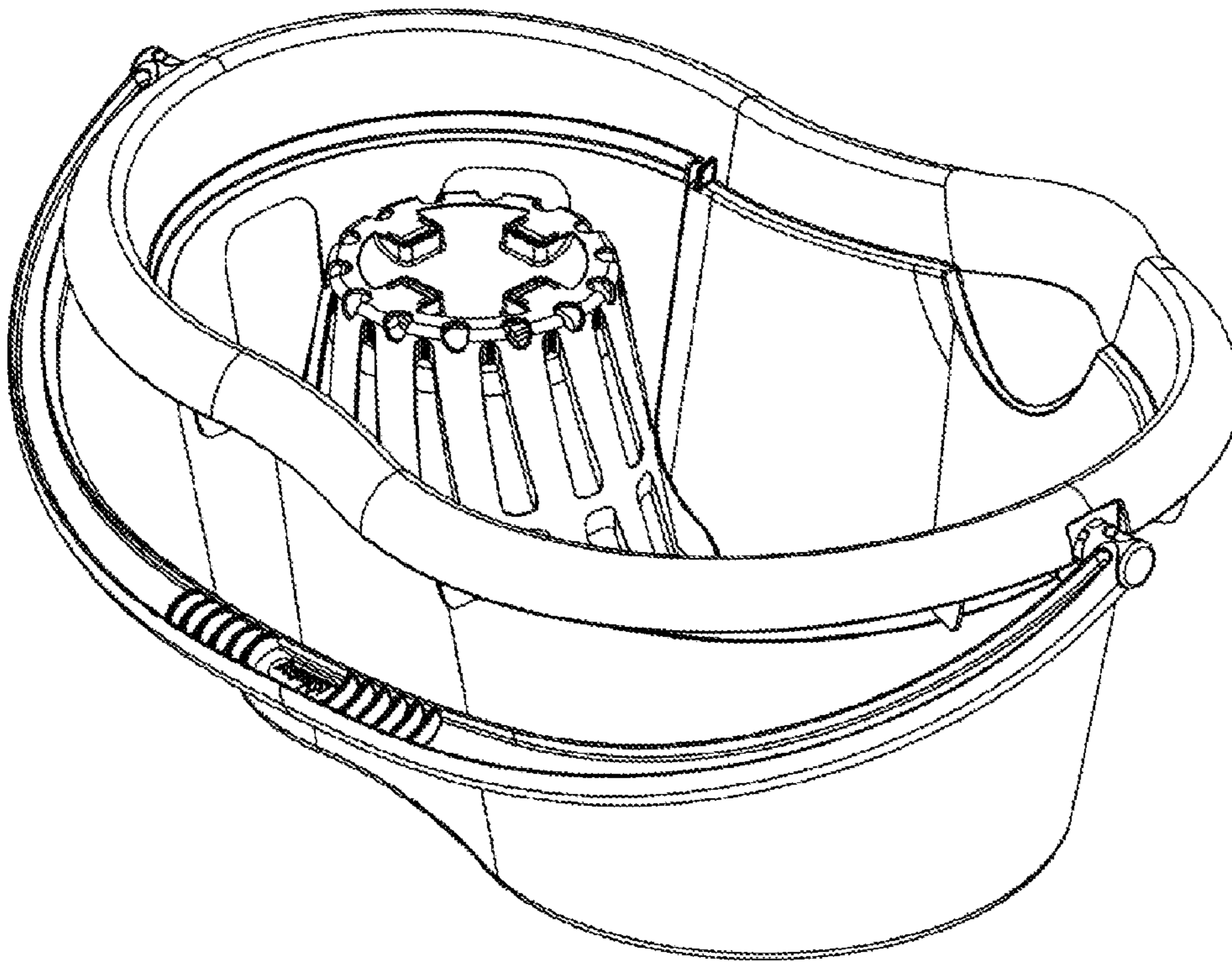


Fig. 9