



US00D698511S

(12) **United States Design Patent**  
**Kassouni**

(10) **Patent No.:** **US D698,511 S**  
(45) **Date of Patent:** **\*\* Jan. 28, 2014**

(54) **SCUFF REMOVER**

(76) Inventor: **Van M. Kassouni**, Grand Rapids, MI  
(US)

(\*\*) Term: **14 Years**

(21) Appl. No.: **29/429,238**

(22) Filed: **Aug. 8, 2012**

(51) **LOC (10) Cl.** ..... **08-99**

(52) **U.S. Cl.**  
USPC ..... **D32/35**

(58) **Field of Classification Search**  
USPC ..... D32/35, 39, 40, 42, 46, 50, 52; D4/100,  
D4/116, 137, 199; D28/63; 15/104.001,  
15/114, 143.1, 144.4, 210.1, 244.1; 134/6;  
84/422.4; 206/576; 451/59; 294/24;  
623/22.24

See application file for complete search history.

(56) **References Cited**

**U.S. PATENT DOCUMENTS**

239,126	A *	3/1881	Wagner	15/143.1
1,810,731	A *	6/1931	Roark	84/422.4
2,258,547	A *	10/1941	Dodds	15/210.1
4,457,038	A *	7/1984	Hammond	15/145
D277,512	S *	2/1985	Colognori	D28/63
5,003,660	A *	4/1991	Oohinata et al.	15/244.1
D328,192	S *	7/1992	Windsor	D4/100
5,435,040	A *	7/1995	McClure	15/244.1
5,609,255	A *	3/1997	Nichols	206/576
5,613,897	A *	3/1997	Thompson, Jr.	451/59
5,878,459	A *	3/1999	McParland	15/114
6,240,590	B1 *	6/2001	Nesbit	15/210.1
6,668,414	B1 *	12/2003	Benjamin, Jr.	15/104.001
6,833,034	B1 *	12/2004	Thomas, Jr.	134/6
6,877,181	B2 *	4/2005	Laux et al.	15/114
6,880,197	B2 *	4/2005	Katz et al.	15/144.4
7,203,988	B2	4/2007	Laux et al.	
D567,460	S *	4/2008	Vaughan	D32/40

7,649,133	B2 *	1/2010	Lento	84/422.4
8,091,934	B2 *	1/2012	Bair	294/24
2004/0019995	A1	2/2004	Kowalski et al.	
2004/0040105	A1 *	3/2004	Hillenbrand	15/104.001
2007/0102080	A1	5/2007	Spangler	
2011/0015753	A1 *	1/2011	Meridew	623/22.24

\* cited by examiner

*Primary Examiner* — Caron D Veynar

*Assistant Examiner* — Martie K Holtje

(74) *Attorney, Agent, or Firm* — Gardner, Linn, Burkhardt & Flory, LLP

(57) **CLAIM**

The ornamental design for a scuff remover, as shown and described.

**DESCRIPTION**

FIG. 1 is a perspective view of a scuff remover in accordance with the present invention;

FIG. 2 is a top plan view of the scuff remover of FIG. 1;

FIG. 3 is a bottom plan view of the scuff remover of FIG. 1;

FIG. 4 is a side elevation of the scuff remover of FIG. 1;

FIG. 5 is an opposite side elevation of the scuff remover of FIG. 4;

FIG. 6 is a perspective view of a second embodiment of a scuff remover of the present invention, shown with a flocking material disposed over the outer partial spherical surface thereof;

FIG. 7 is a top plan view of the scuff remover of FIG. 6;

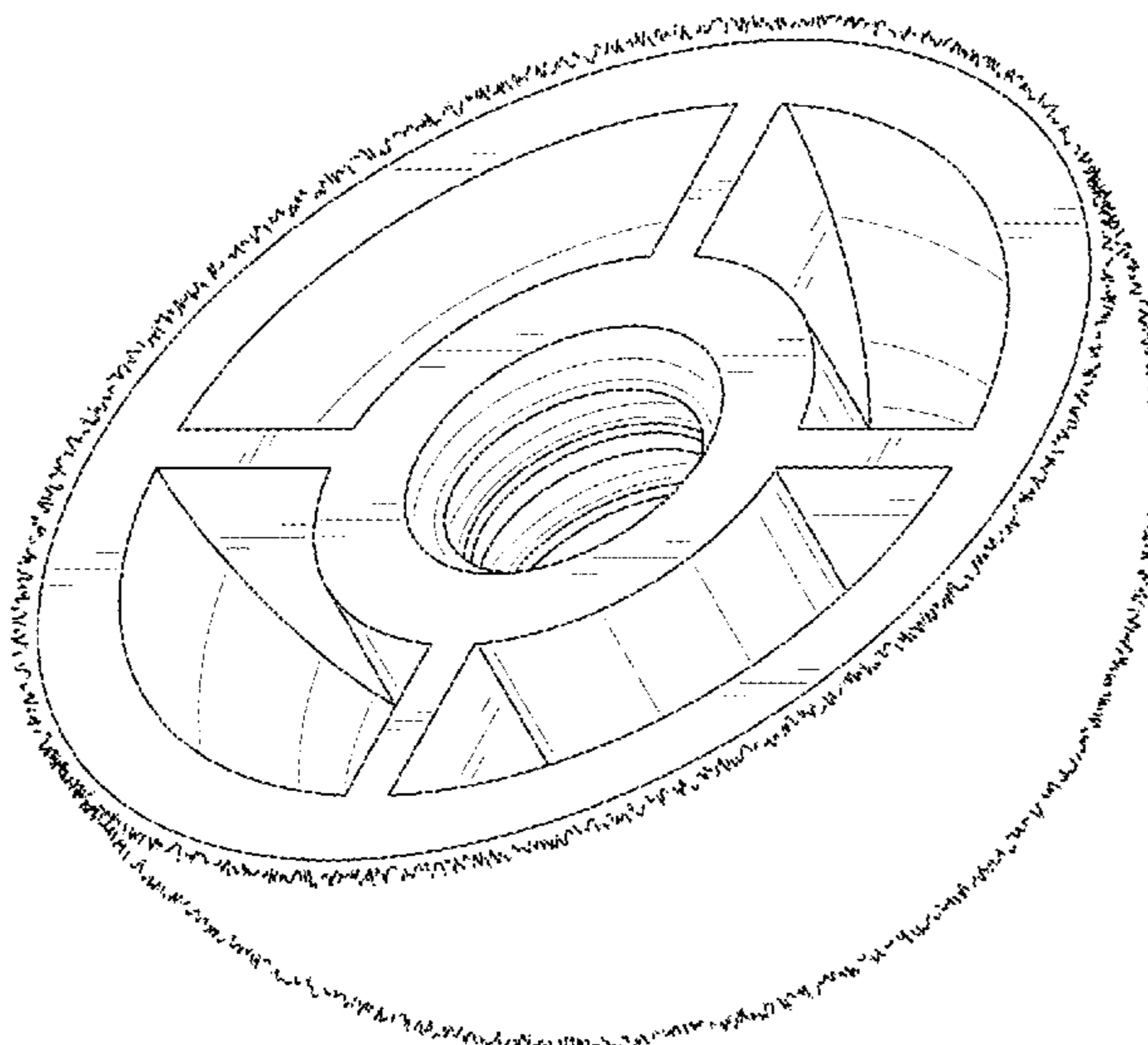
FIG. 8 is a bottom plan view of the scuff remover of FIG. 6;

FIG. 9 is a side elevation of the scuff remover of FIG. 6; and,

FIG. 10 is an opposite side elevation of the scuff remover of FIG. 9.

In the drawings, the dashed lines in FIGS. 1-5 are for illustrative purposes only and form no part of the claim.

**1 Claim, 8 Drawing Sheets**



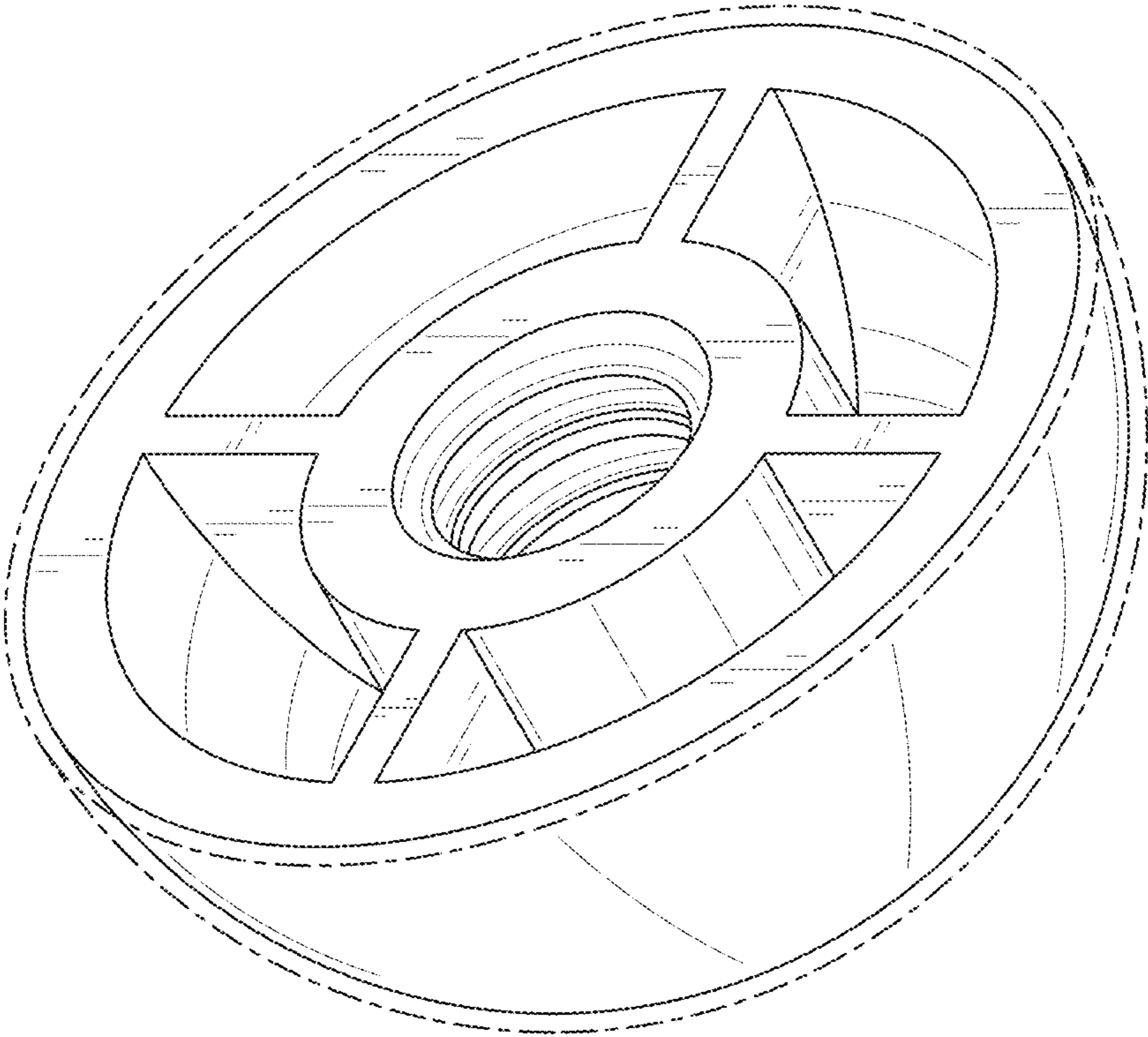


FIG. 1

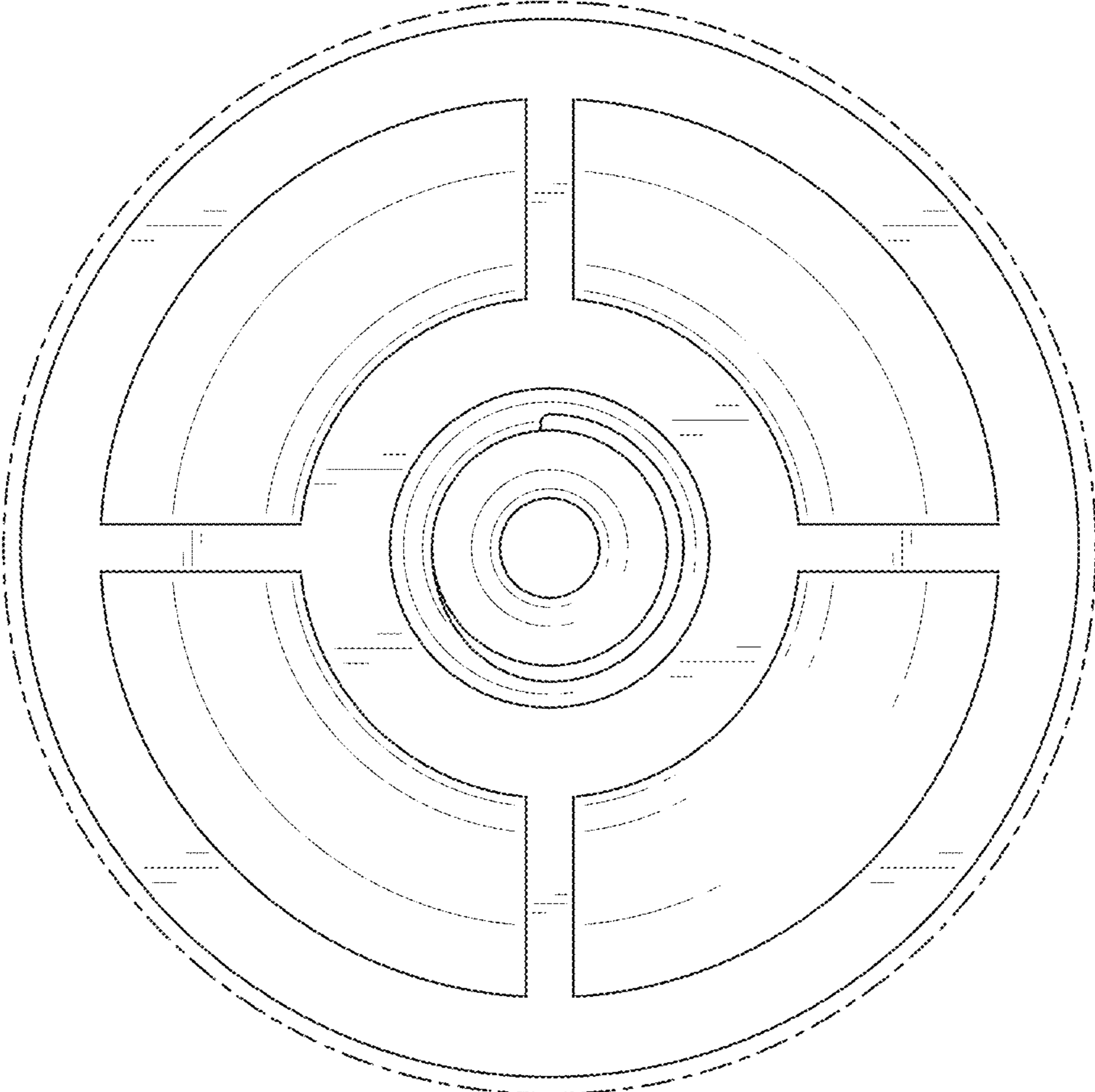


FIG. 2

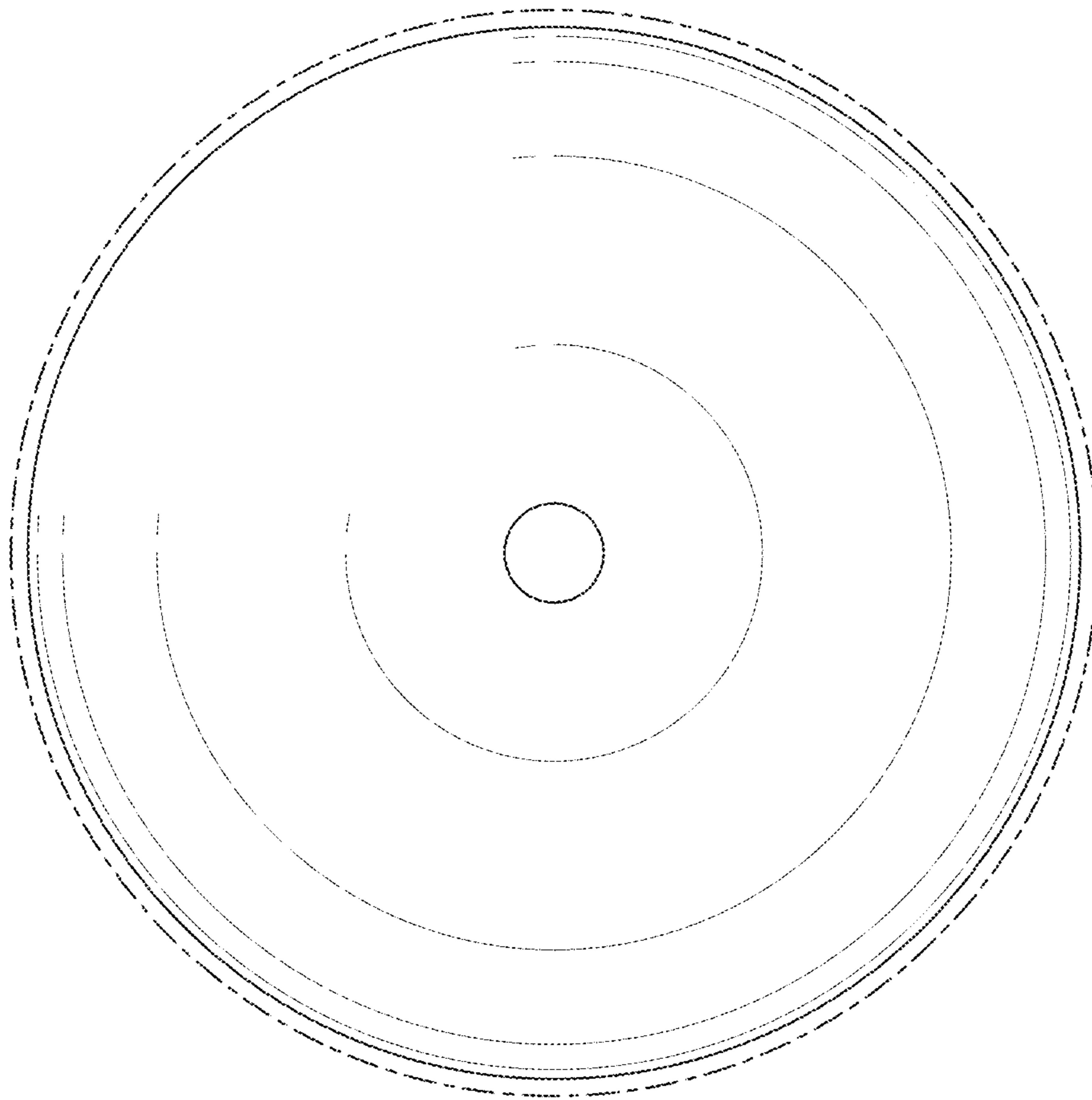


FIG. 3

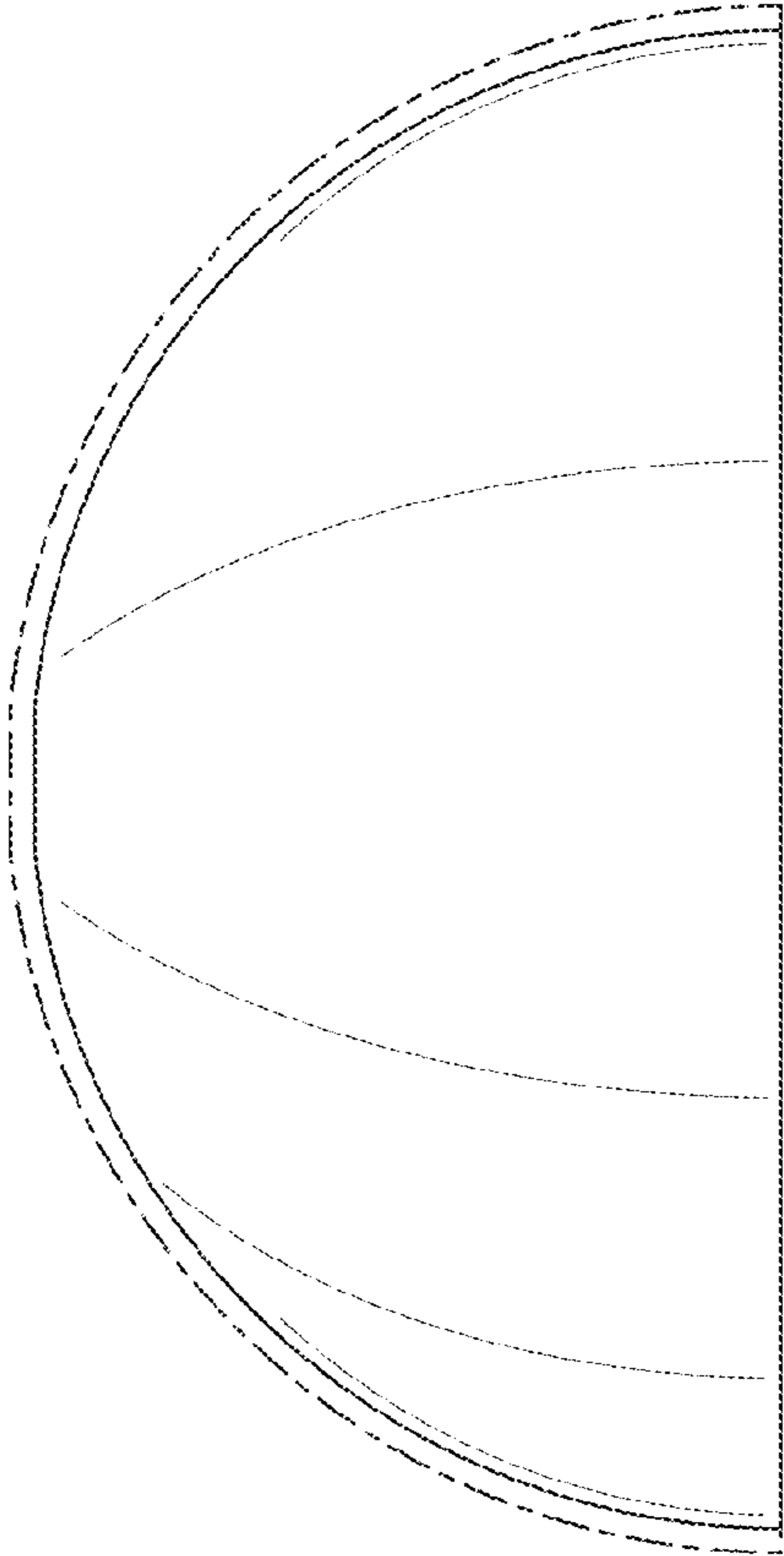


FIG. 4

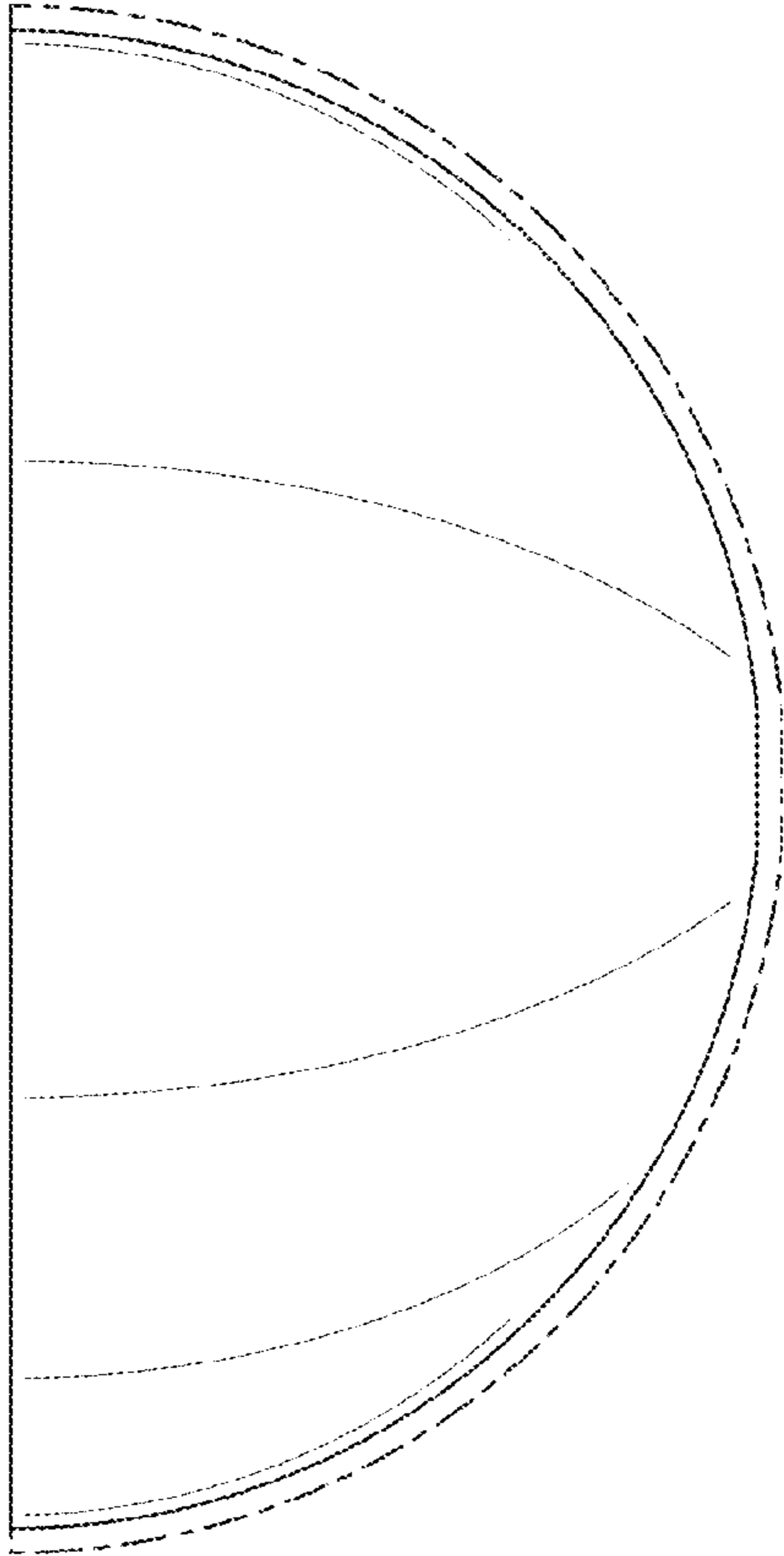


FIG. 5

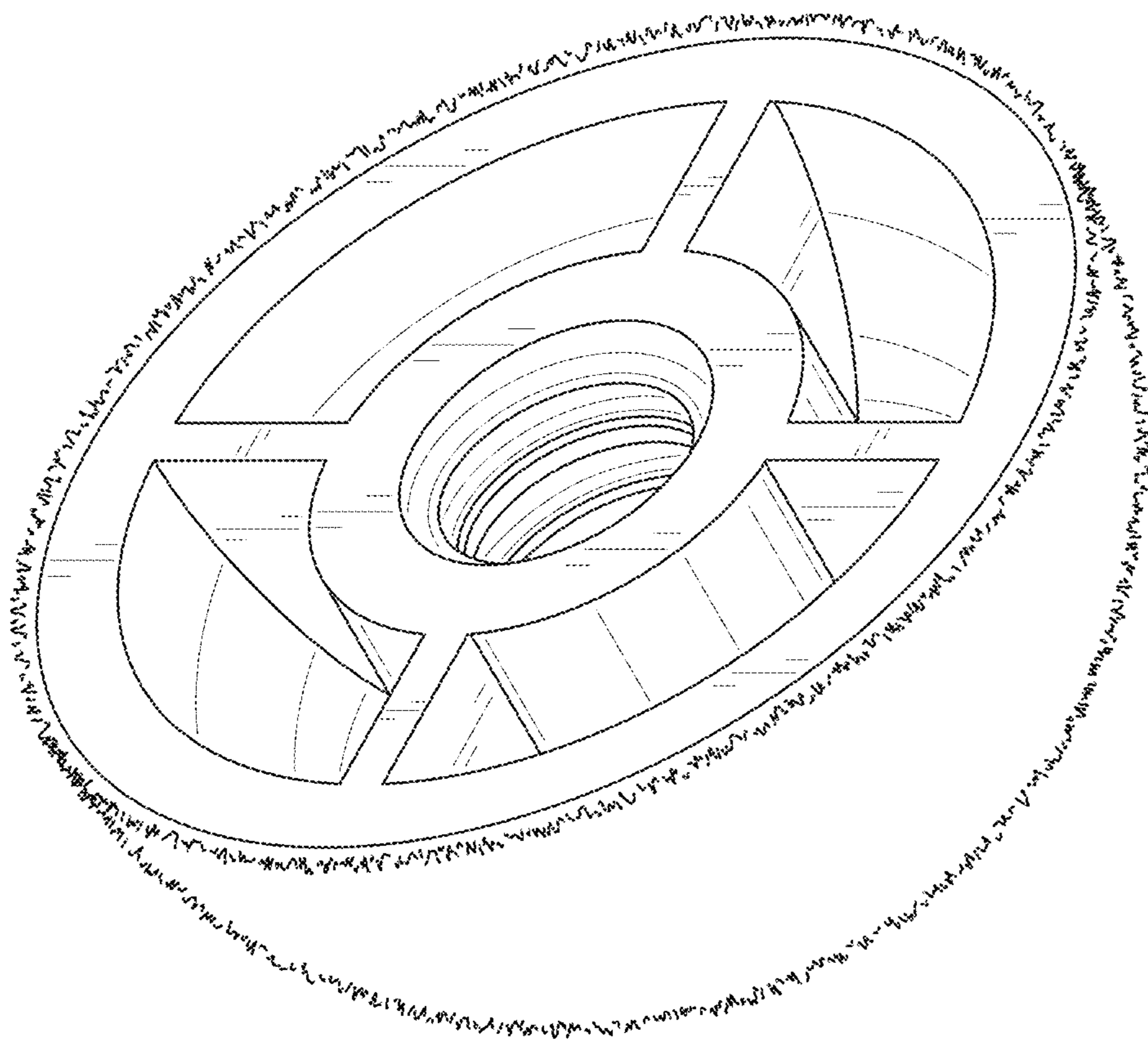


FIG. 6

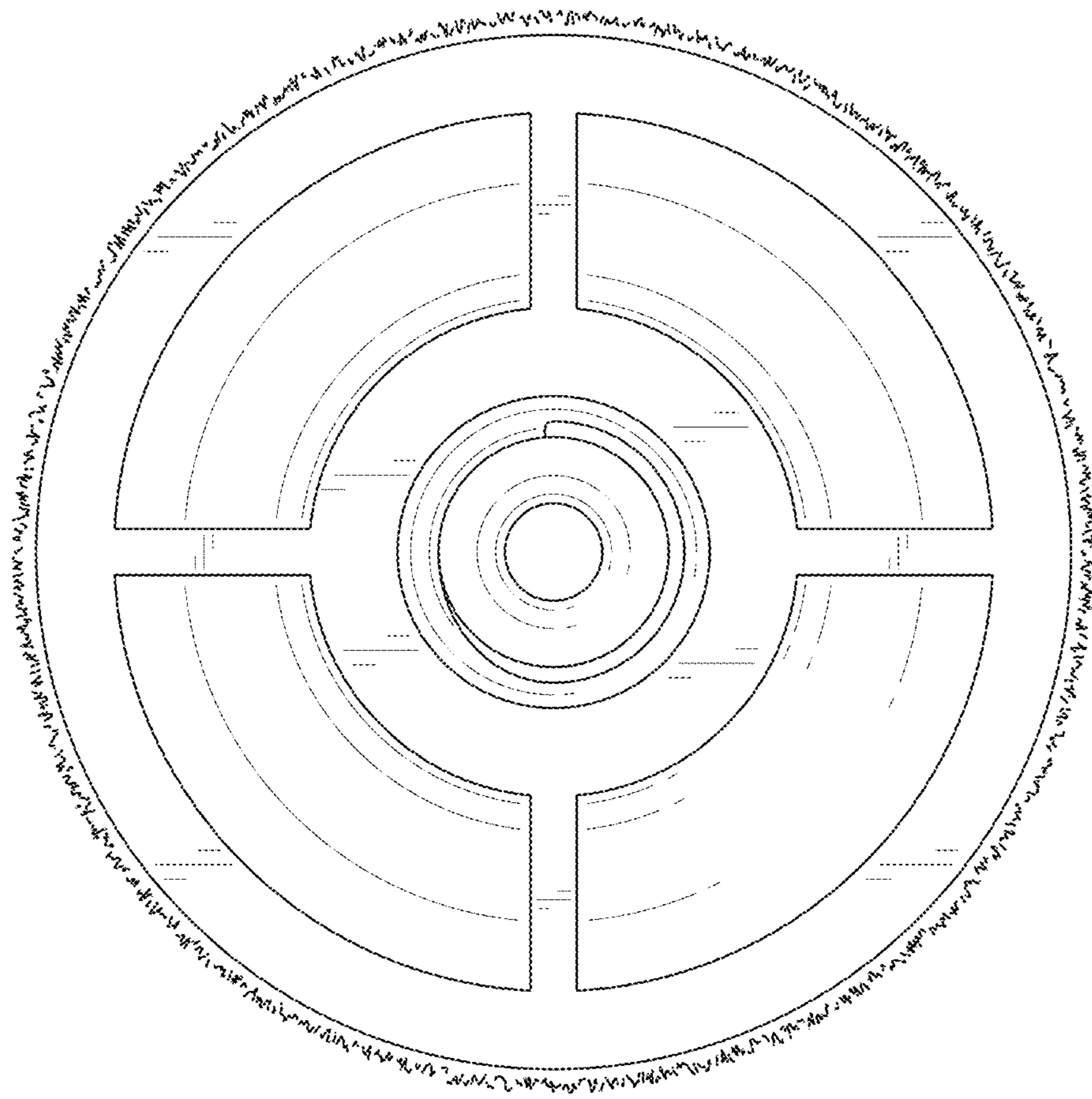


FIG. 7

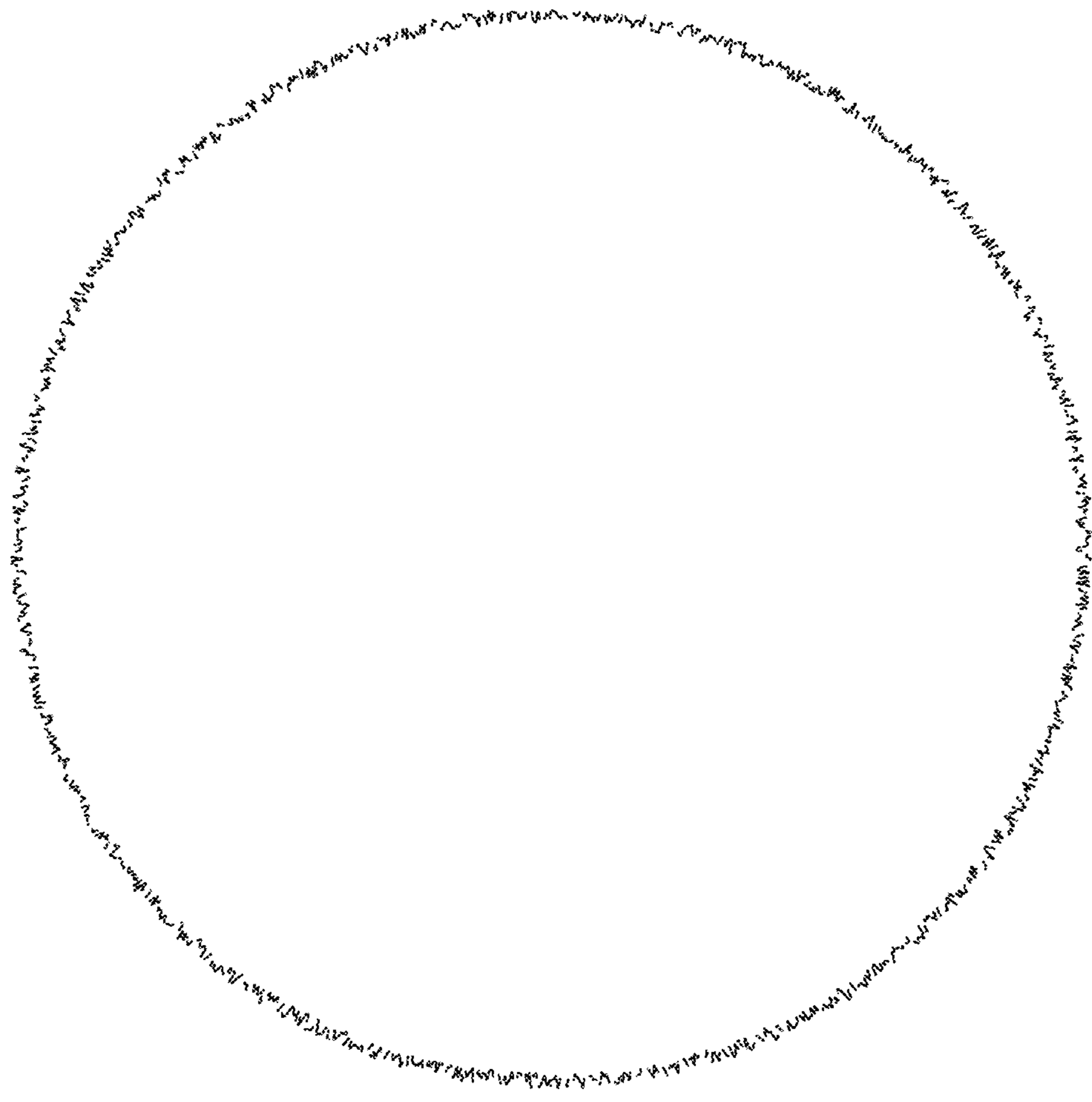


FIG. 8



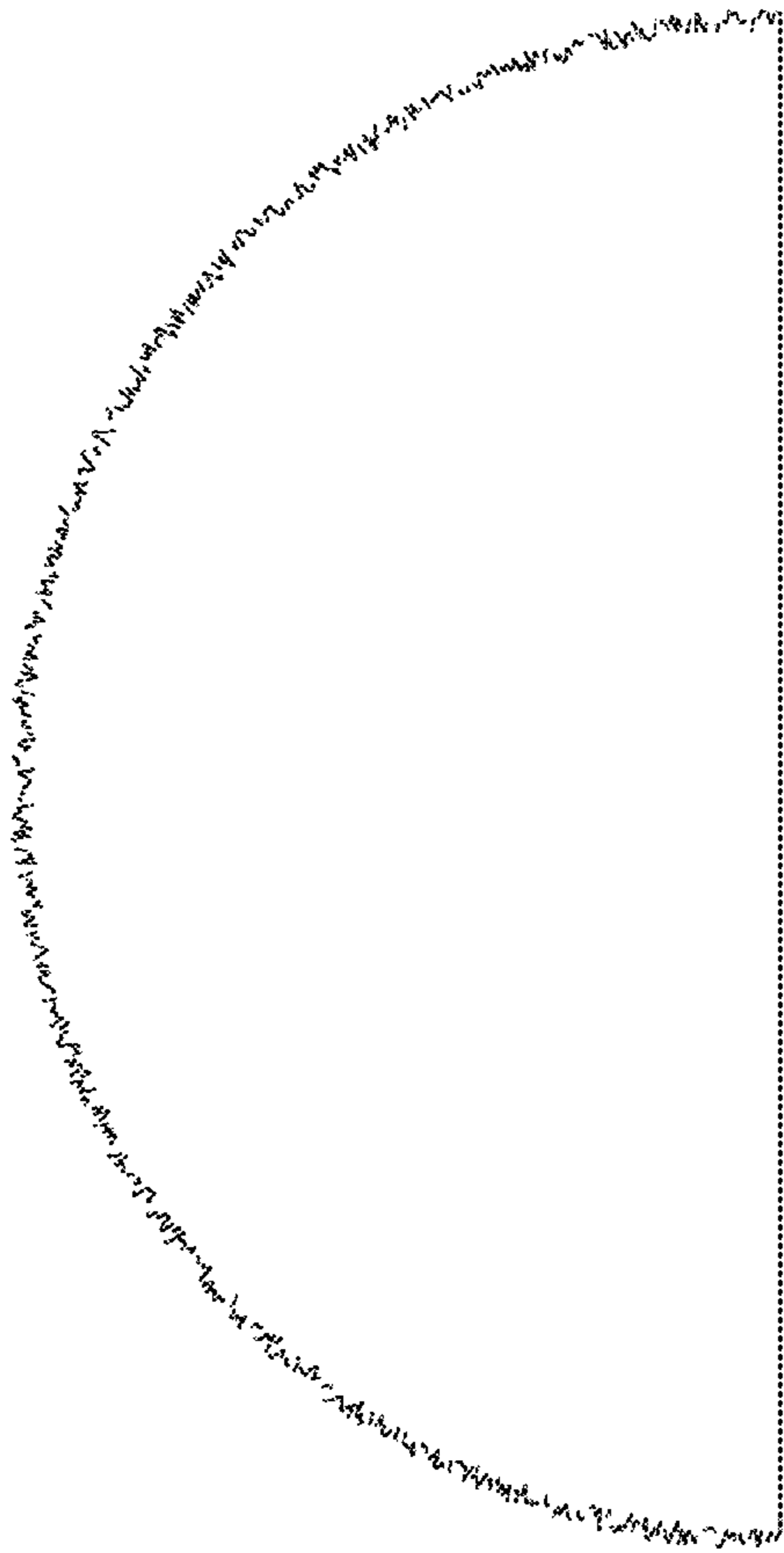


FIG. 9

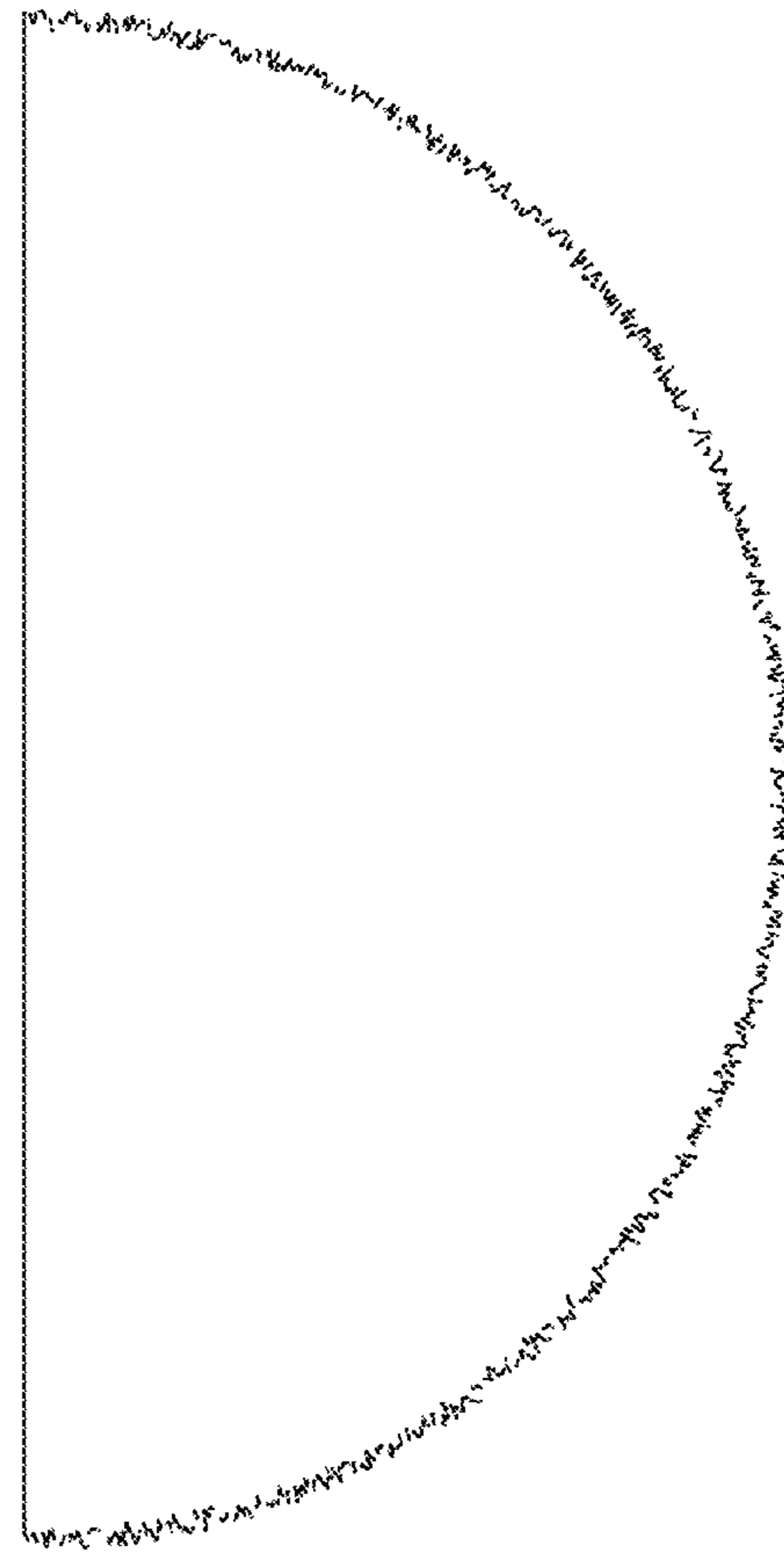


FIG. 10