



US00D698509S

(12) **United States Design Patent**  
**Cho et al.**

(10) **Patent No.:** **US D698,509 S**

(45) **Date of Patent:** **\*\* Jan. 28, 2014**

(54) **DETERGENT CASE FOR WASHING MACHINE**

(56) **References Cited**

(71) Applicant: **Samsung Electronics Co., Ltd.**,  
Gyeonggi-do (KR)

(72) Inventors: **Chul-Yong Cho**, Seoul (KR); **Jongsu Jeon**,  
Sungnam-si (KR); **Chris Bangle**, Clavesana (IT); **Seonju Lee**,  
Seoul (KR)

(73) Assignee: **Samsung Electronics Co., Ltd.**,  
Suwon-si (KR)

U.S. PATENT DOCUMENTS

2,219,487	A *	10/1940	Nyden	206/534.2
2,492,864	A *	12/1949	Hermani	206/540
2,655,259	A *	10/1953	Davoren	225/43
2,722,309	A *	11/1955	Waterman	206/534.2
6,138,693	A *	10/2000	Matz	134/57 D
D514,308	S *	2/2006	Wahl et al.	D3/203.2
7,254,966	B2 *	8/2007	Kim et al.	68/17 R
D574,606	S *	8/2008	Muhlhausen et al.	D3/203.2
D616,161	S *	5/2010	Tridello et al.	D32/3
7,757,858	B2 *	7/2010	Cross	206/540
7,845,361	B1 *	12/2010	Verespej et al.	134/99.2
D663,498	S *	7/2012	Jeon et al.	D32/29.1

\* cited by examiner

*Primary Examiner* — T. Chase Nelson  
*Assistant Examiner* — Kathleen M Sims  
(74) *Attorney, Agent, or Firm* — Ladas & Parry LLP

(\*\*) Term: **14 Years**

(21) Appl. No.: **29/441,408**

(22) Filed: **Jan. 4, 2013**

(57) **CLAIM**  
We claim the ornamental design for a detergent case for washing machine, as shown.

**DESCRIPTION**

(30) **Foreign Application Priority Data**  
Dec. 27, 2012 (KR) ..... 30-2012-0062552

(51) **LOC (10) Cl.** ..... **15-05**

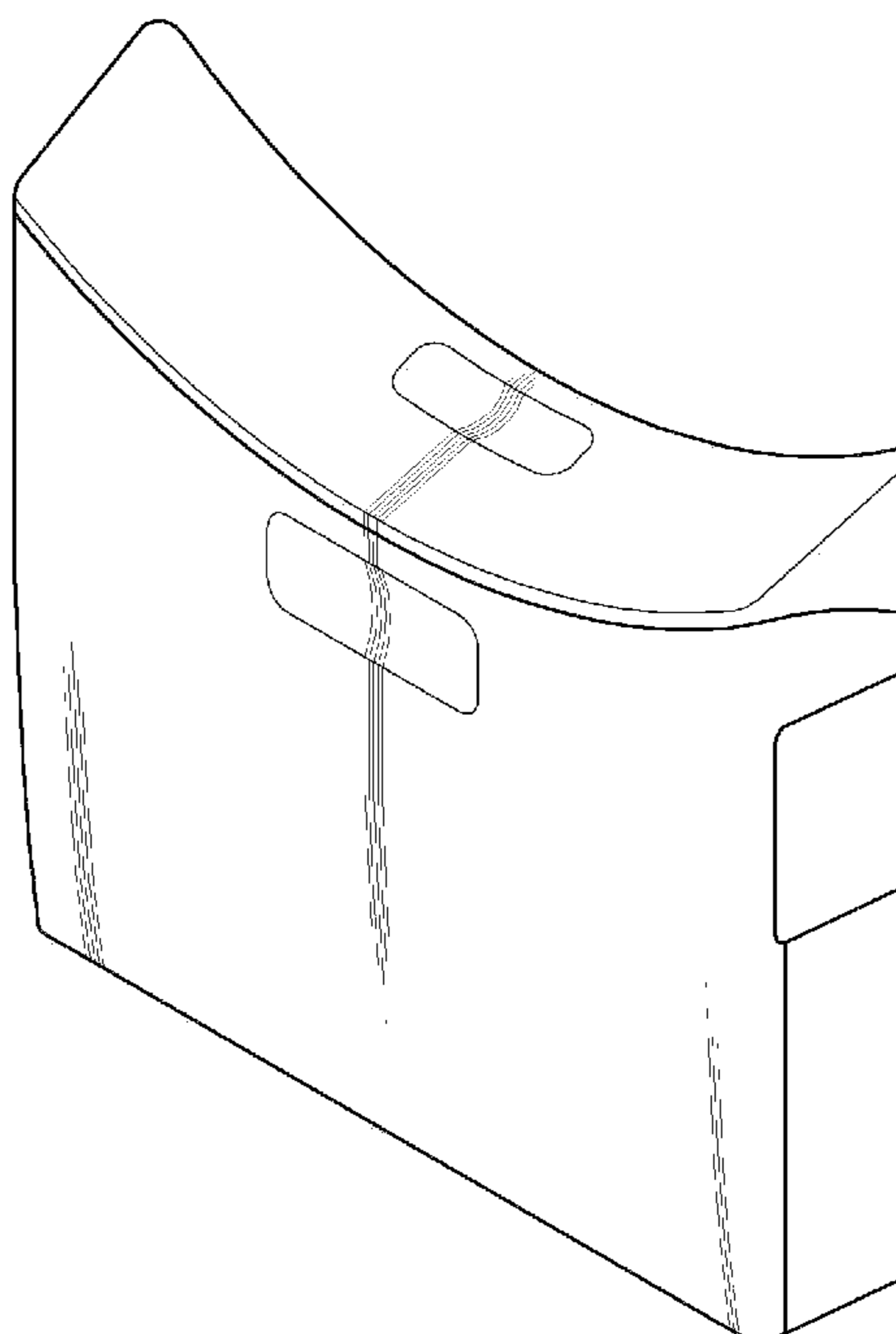
(52) **U.S. Cl.**  
USPC ..... **D32/29.1**

(58) **Field of Classification Search**  
USPC ..... D32/1, 3, 25, 29.1; D3/203.2, 273;  
D6/542; 134/58 D, 93, 99.2, 200;  
68/12.18, 17 R, 207, 212

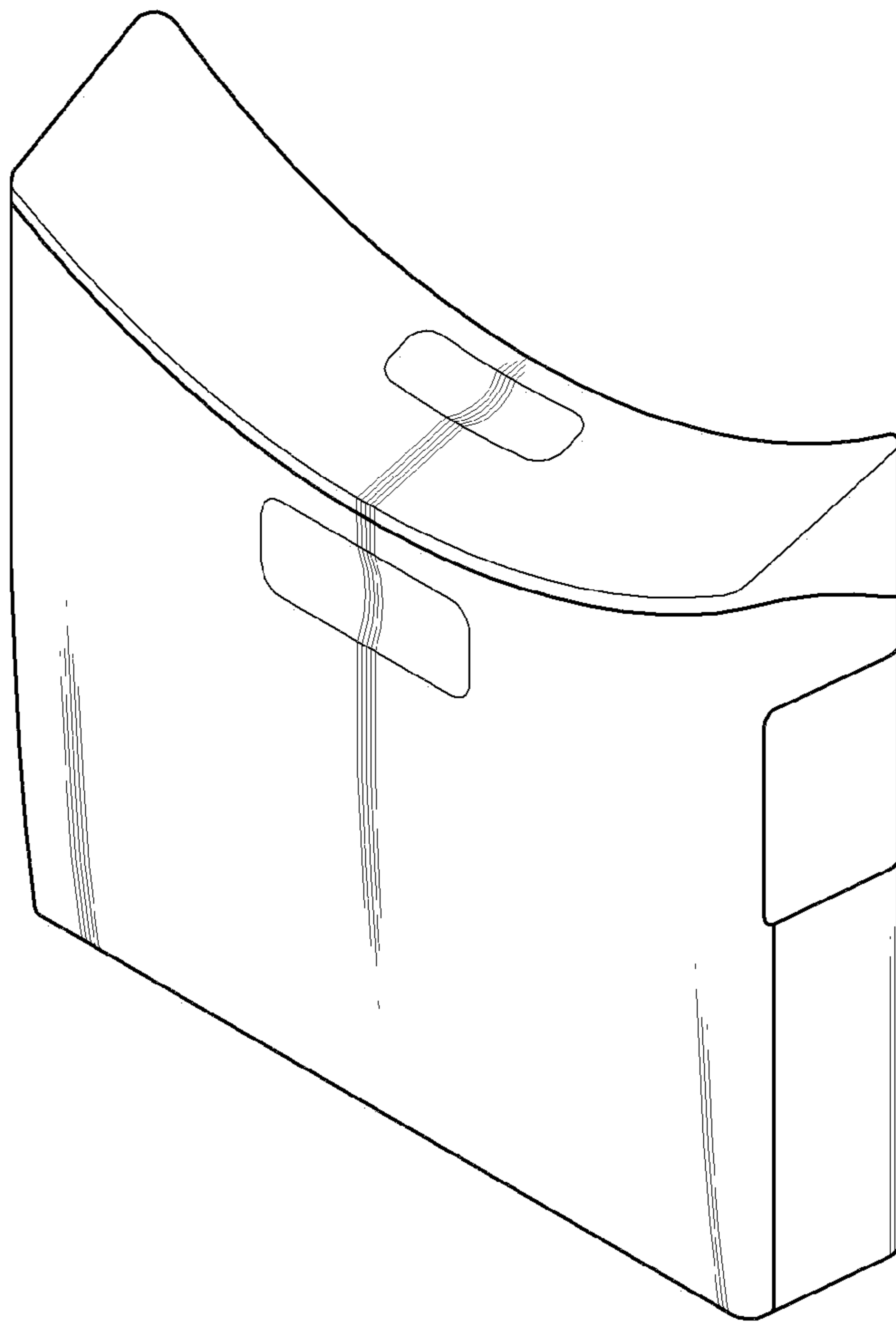
See application file for complete search history.

FIG. 1 is a front/right-side/top perspective view of a detergent case for washing machine showing our new design;  
FIG. 2 is a front elevational view thereof;  
FIG. 3 is a rear elevational view thereof;  
FIG. 4 is a left-side elevational view thereof;  
FIG. 5 is a right-side elevational view thereof;  
FIG. 6 is a top plan view thereof;  
FIG. 7 is a bottom plan view thereof; and,  
FIG. 8 is a referenced view thereof.  
None of broken lines form a part of the claimed design.

**1 Claim, 7 Drawing Sheets**



**FIG. 1**



**FIG. 2**

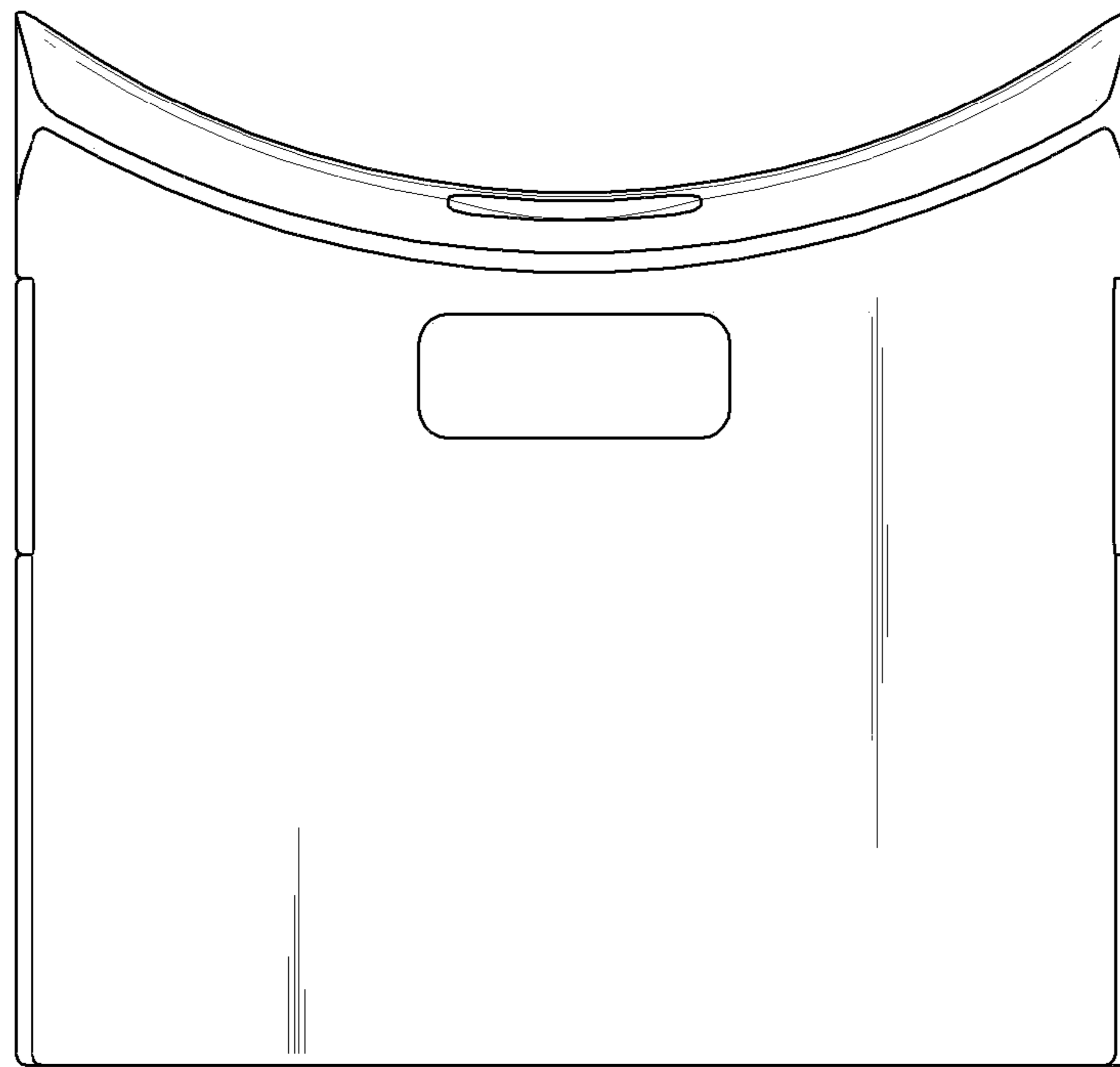
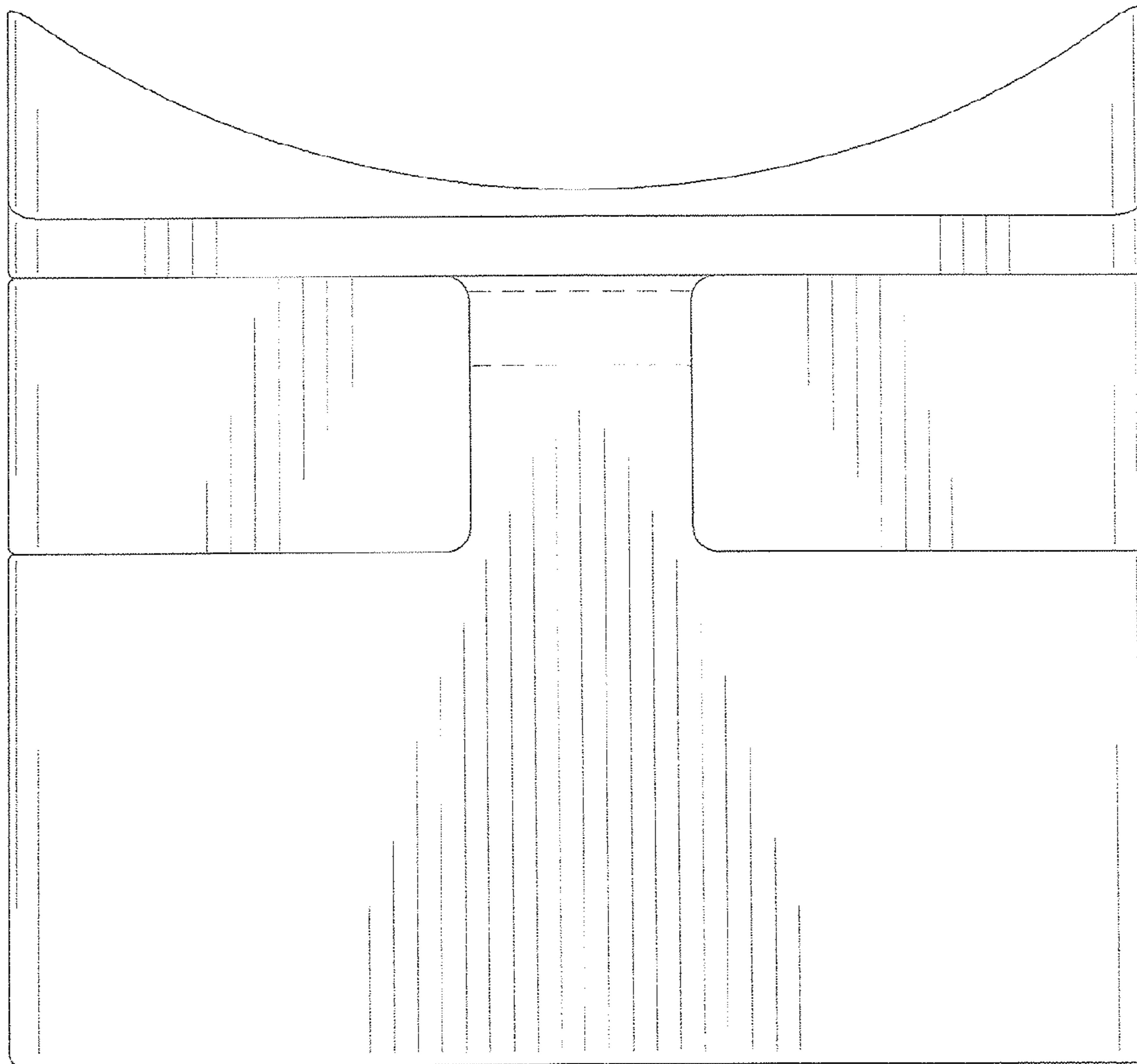
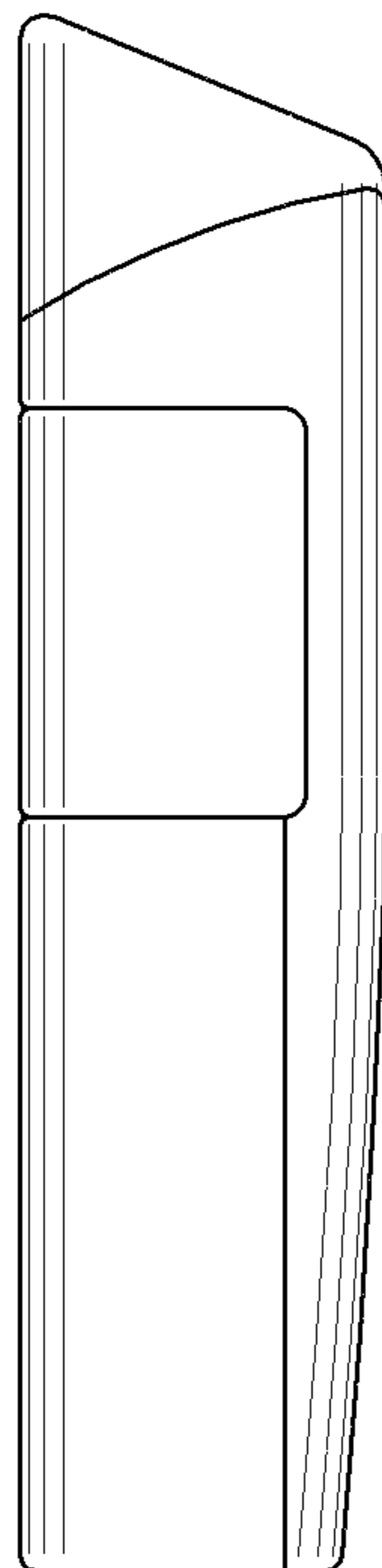


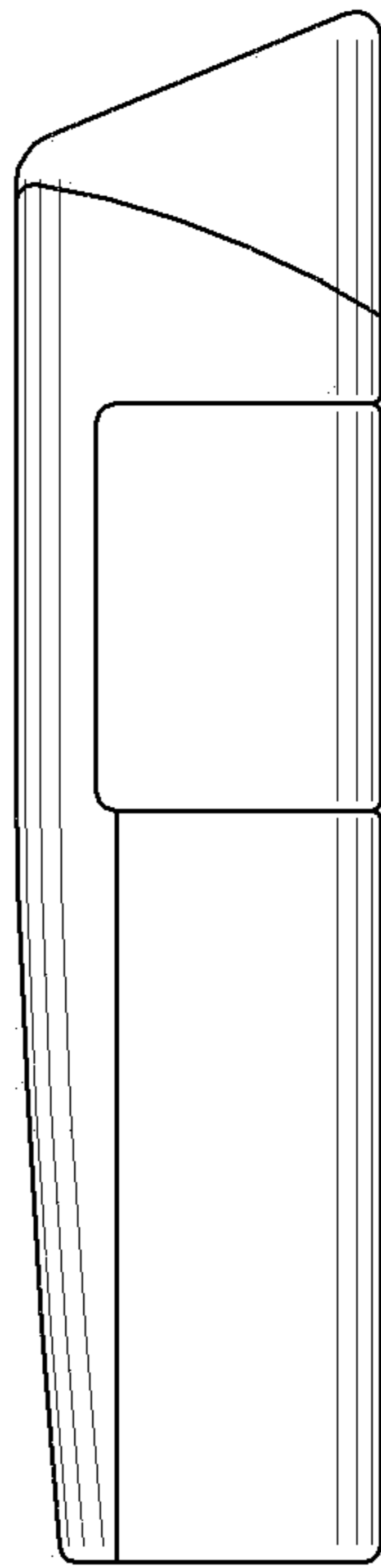
FIG. 3



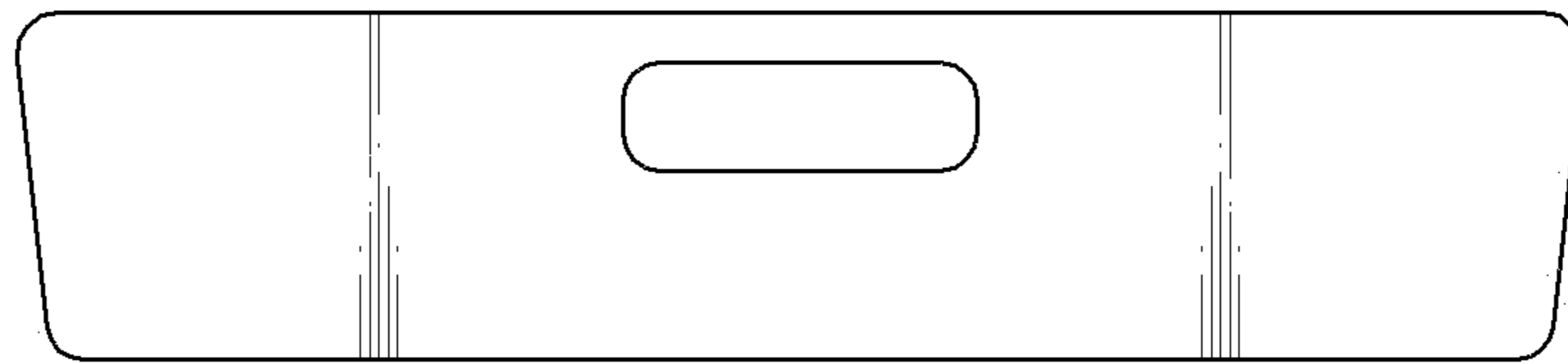
**FIG. 4**



**FIG. 5**



**FIG. 6**



**FIG. 7**

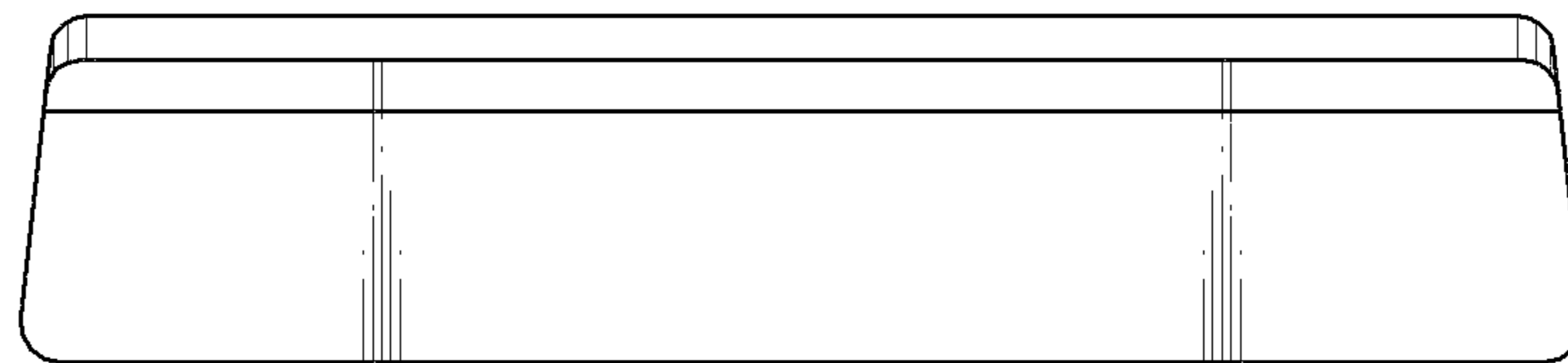


FIG. 8

