



US00D698508S

(12) **United States Design Patent**  
**Cho et al.**

(10) **Patent No.:** **US D698,508 S**  
(45) **Date of Patent:** **\*\* Jan. 28, 2014**

(54) **WASHING MACHINE**

(71) Applicant: **Samsung Electronics Co., Ltd.**,  
Gyeonggi-do (KR)

(72) Inventors: **Chul-Yong Cho**, Seoul (KR); **Jongsu Jeon**, Sungnamsi (KR); **Chris Bangle**, Clavesana (IT); **Lee Seonju**, Seoul (KR)

(73) Assignee: **Samsung Electronics Co., Ltd.**,  
Suwon-si (KR)

(\*\*) Term: **14 Years**

(21) Appl. No.: **29/441,418**

(22) Filed: **Jan. 4, 2013**

(51) **LOC (10) Cl.** ..... **15-05**

(52) **U.S. Cl.**  
USPC ..... **D32/25**

(58) **Field of Classification Search**  
USPC ..... D32/1, 5-6, 8, 10, 25, 28; 68/3 R, 5 R,  
68/12.01, 12.07-12.08; 34/57-58,  
34/523-524  
See application file for complete search history.

(56) **References Cited**

**U.S. PATENT DOCUMENTS**

D457,991 S \* 5/2002 Baldwin et al. .... D32/6  
D459,844 S \* 7/2002 Baldwin et al. .... D32/6

D515,257 S \* 2/2006 Geyer ..... D32/6  
D517,256 S \* 3/2006 Kim ..... D32/6  
D525,753 S \* 7/2006 Schoene ..... D32/25  
D566,347 S \* 4/2008 Cao et al. .... D32/1  
2004/0226320 A1\* 11/2004 Bongini ..... 68/3 R  
2009/0211313 A1\* 8/2009 Exler et al. .... 68/142

\* cited by examiner

*Primary Examiner* — T. Chase Nelson

*Assistant Examiner* — Kathleen M Sims

(74) *Attorney, Agent, or Firm* — Ladas & Parry LLP

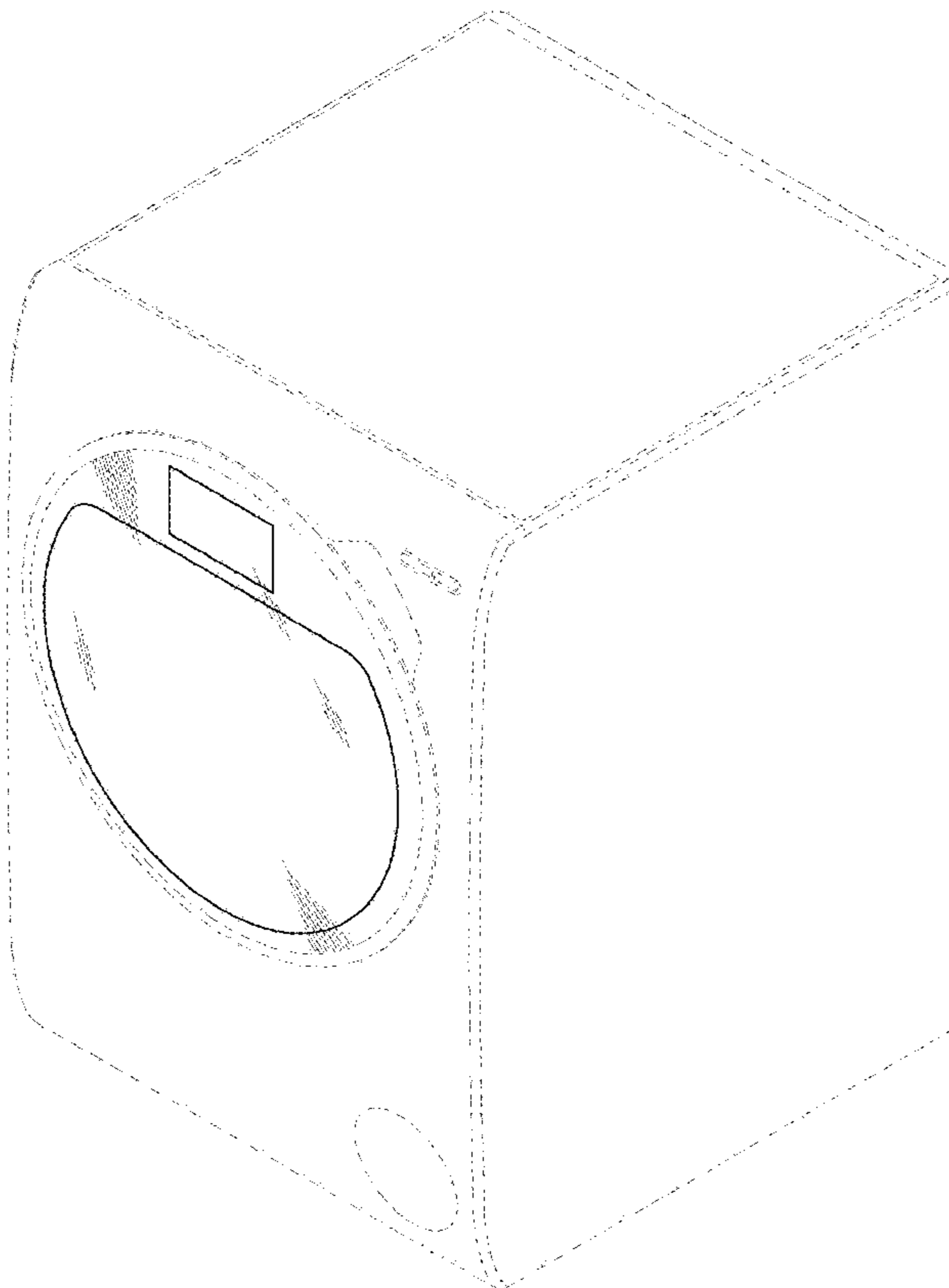
(57) **CLAIM**

We claim the ornamental design for a washing machine, as shown and described.

**DESCRIPTION**

FIG. 1 is a front/right-side/top perspective view of a washing machine showing our new design;  
FIG. 2 is a front elevational view thereof;  
FIG. 3 is a rear elevational view thereof;  
FIG. 4 is a left-side elevational view thereof;  
FIG. 5 is a right-side elevational view thereof;  
FIG. 6 is a top plan view thereof; and,  
FIG. 7 is a bottom plan view thereof.  
The broken lines depict portions of the washing machine that form no part of the claimed design.

**1 Claim, 7 Drawing Sheets**



**FIG. 1**

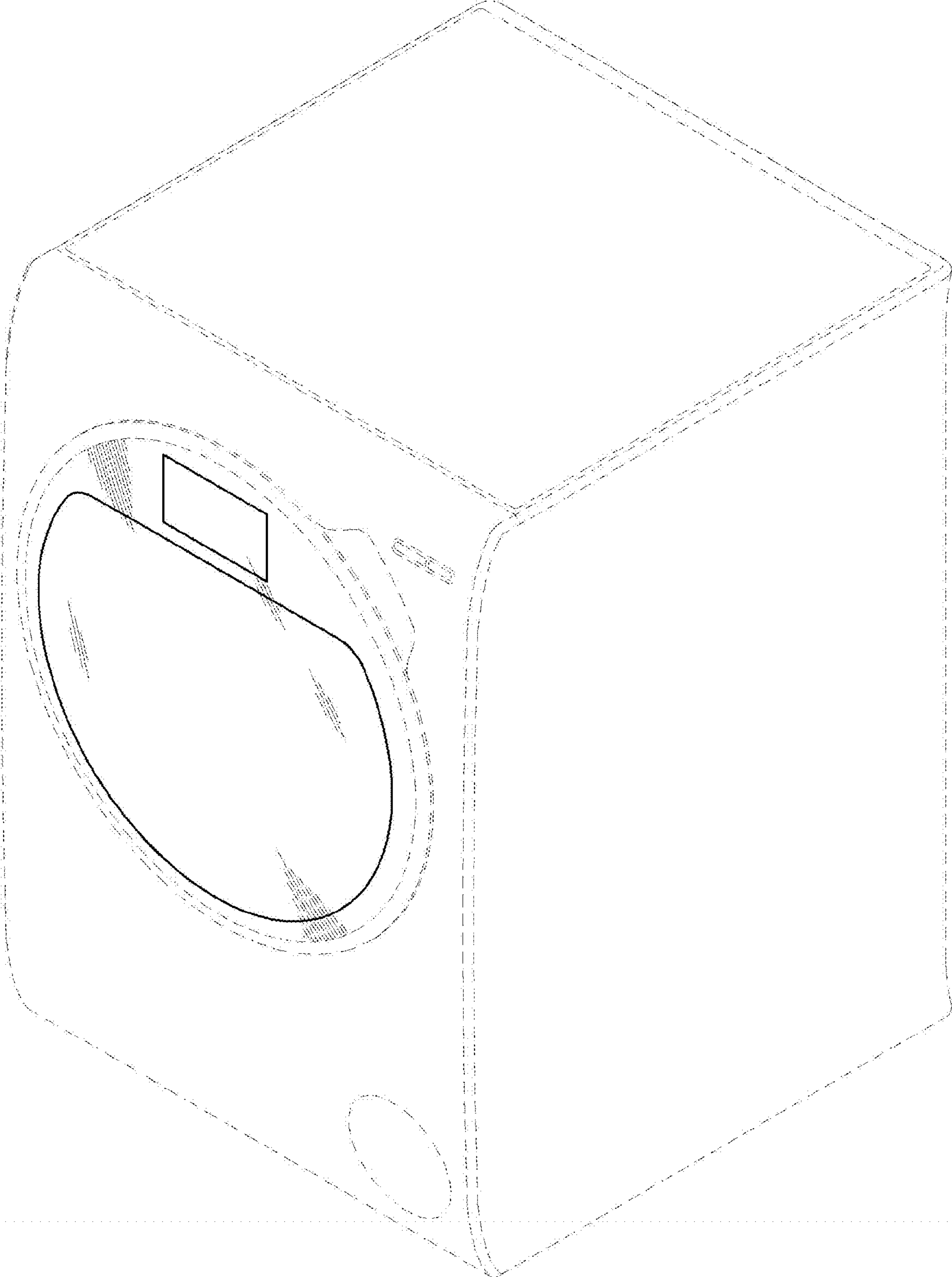
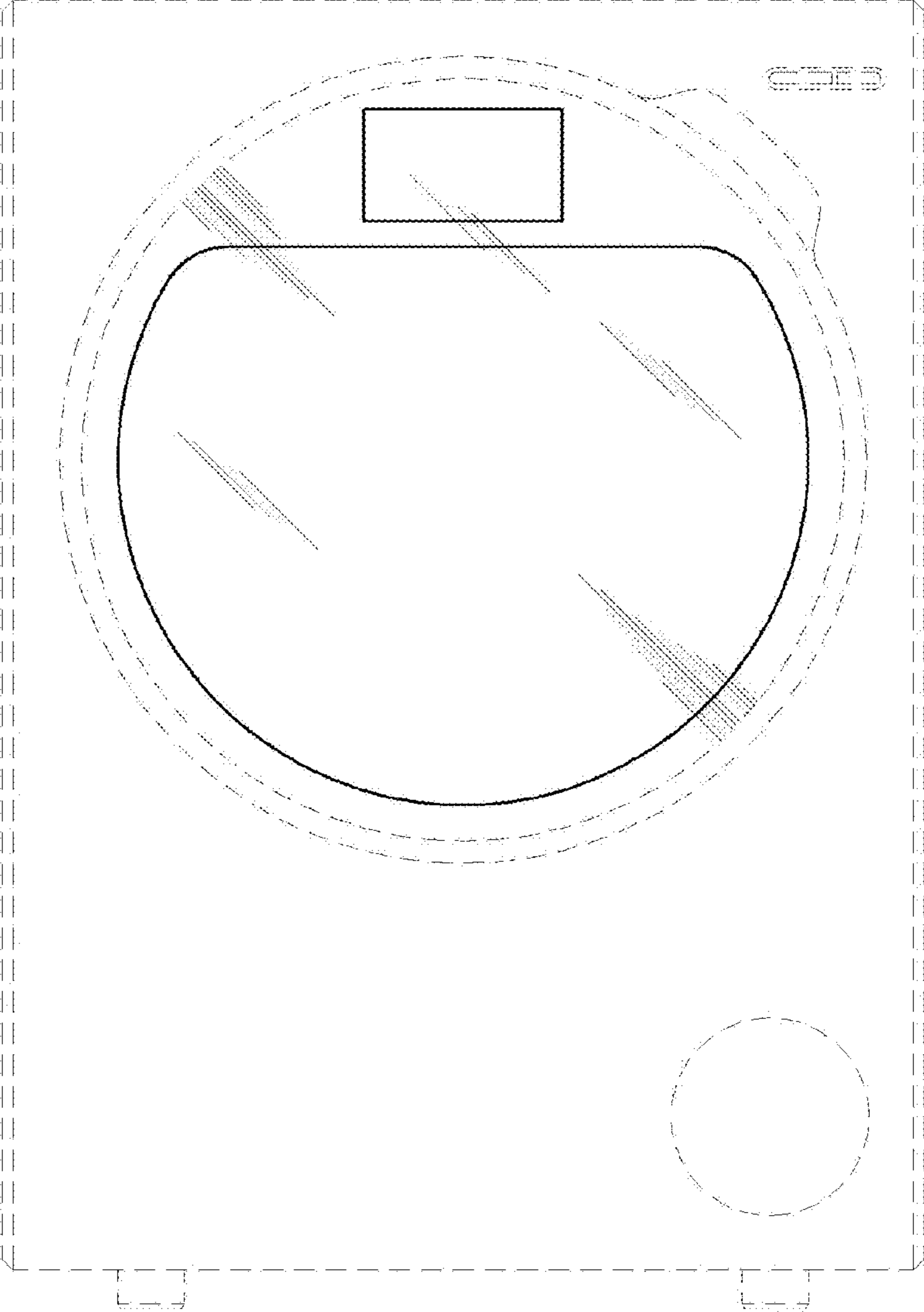
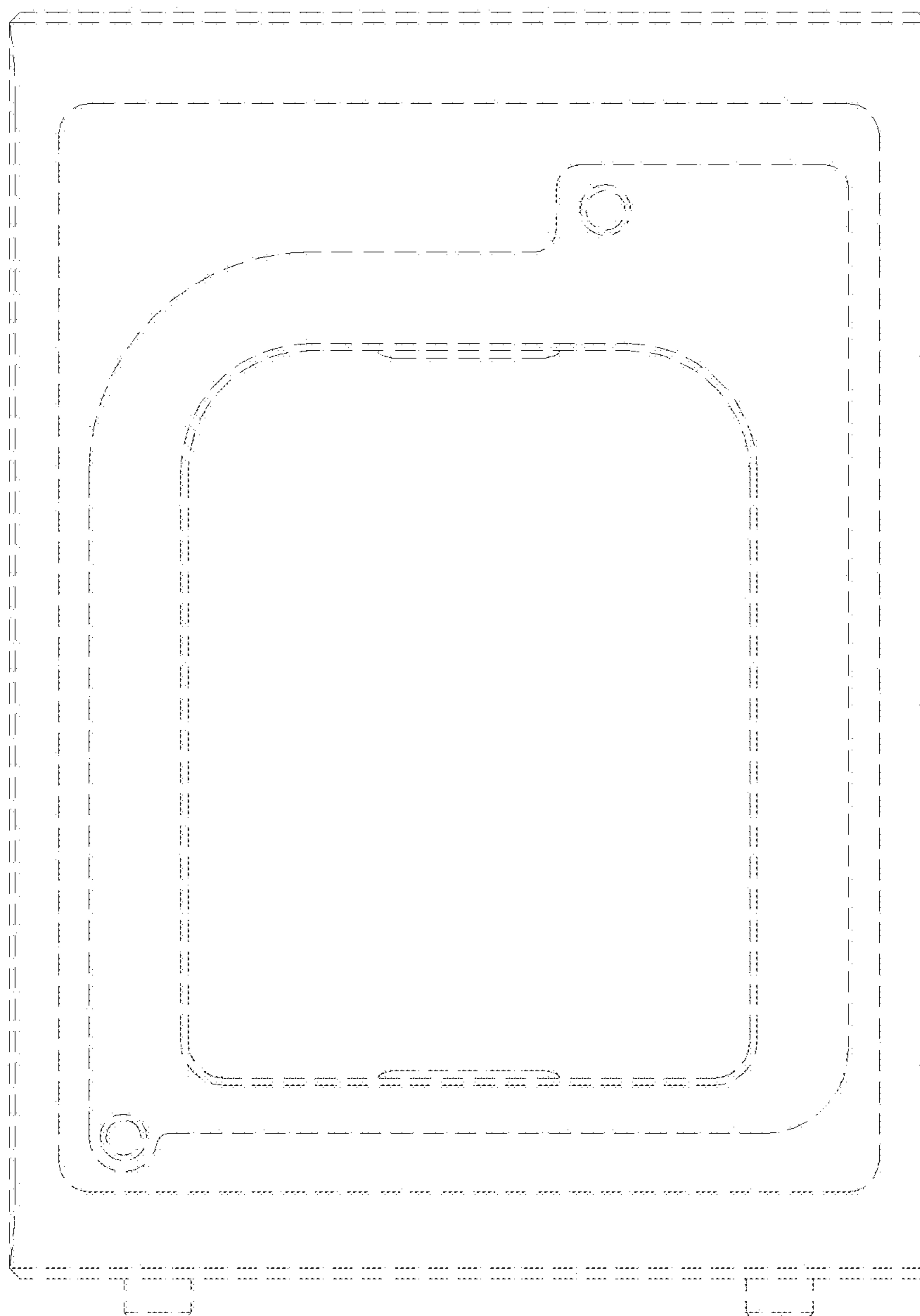


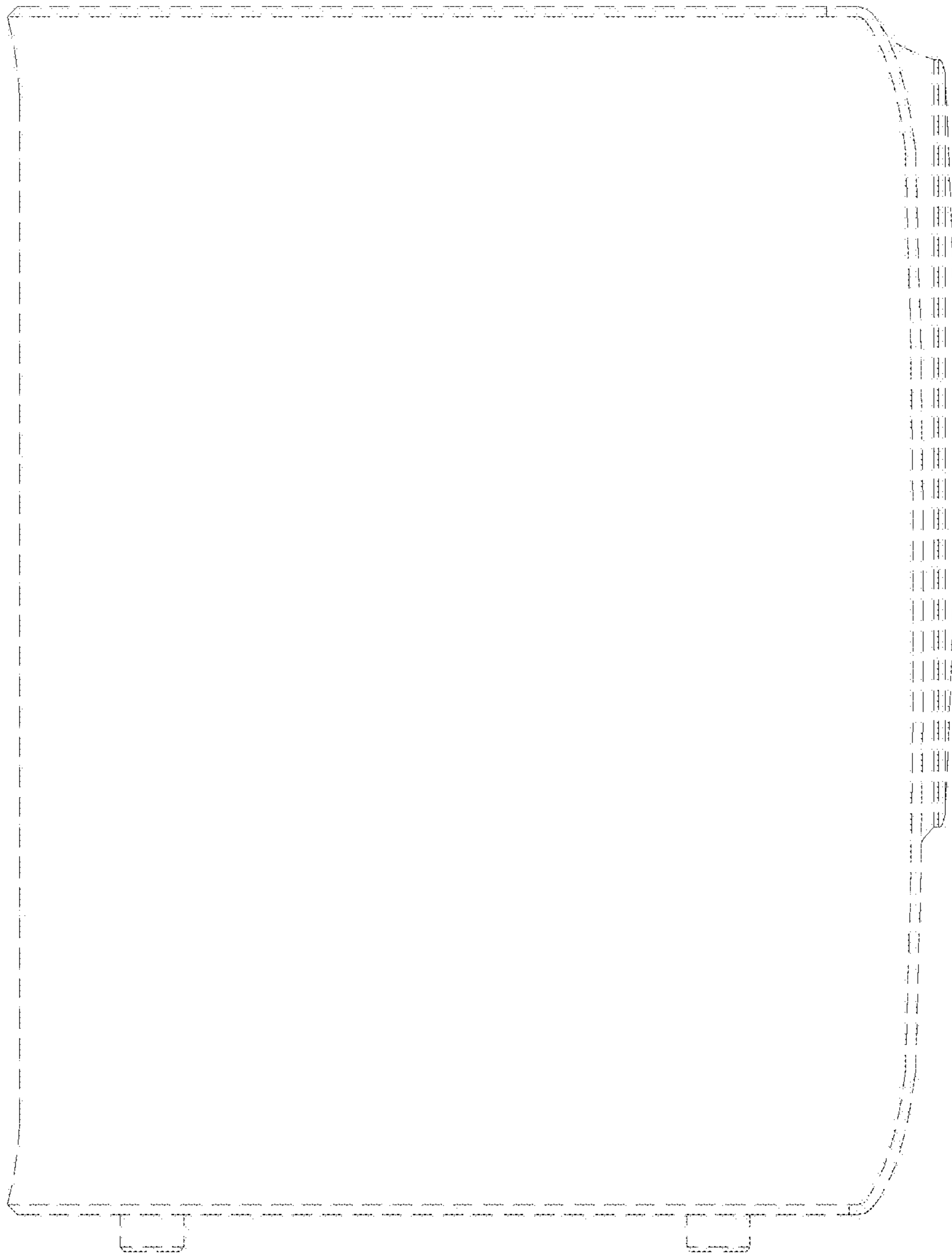
FIG. 2



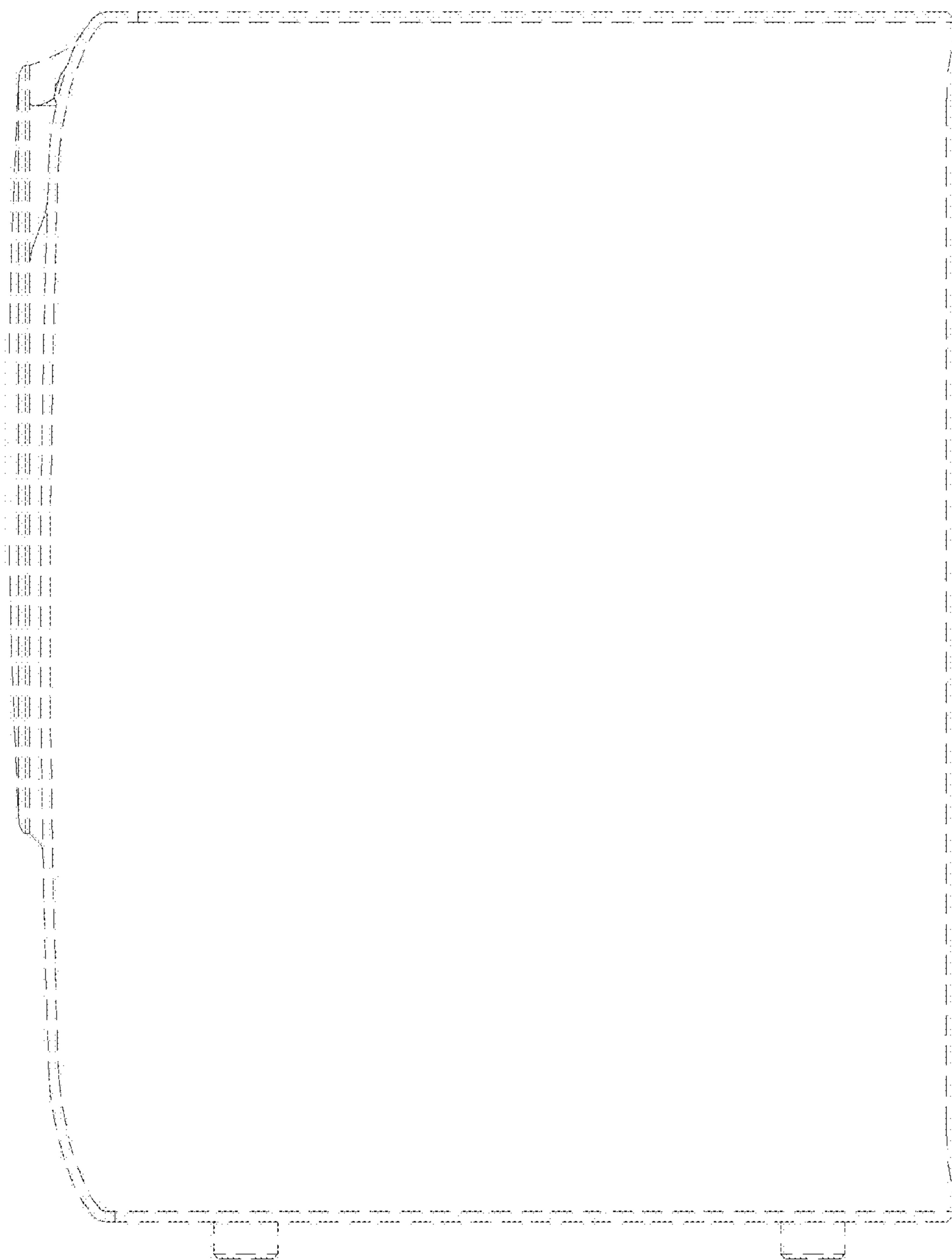
**FIG. 3**



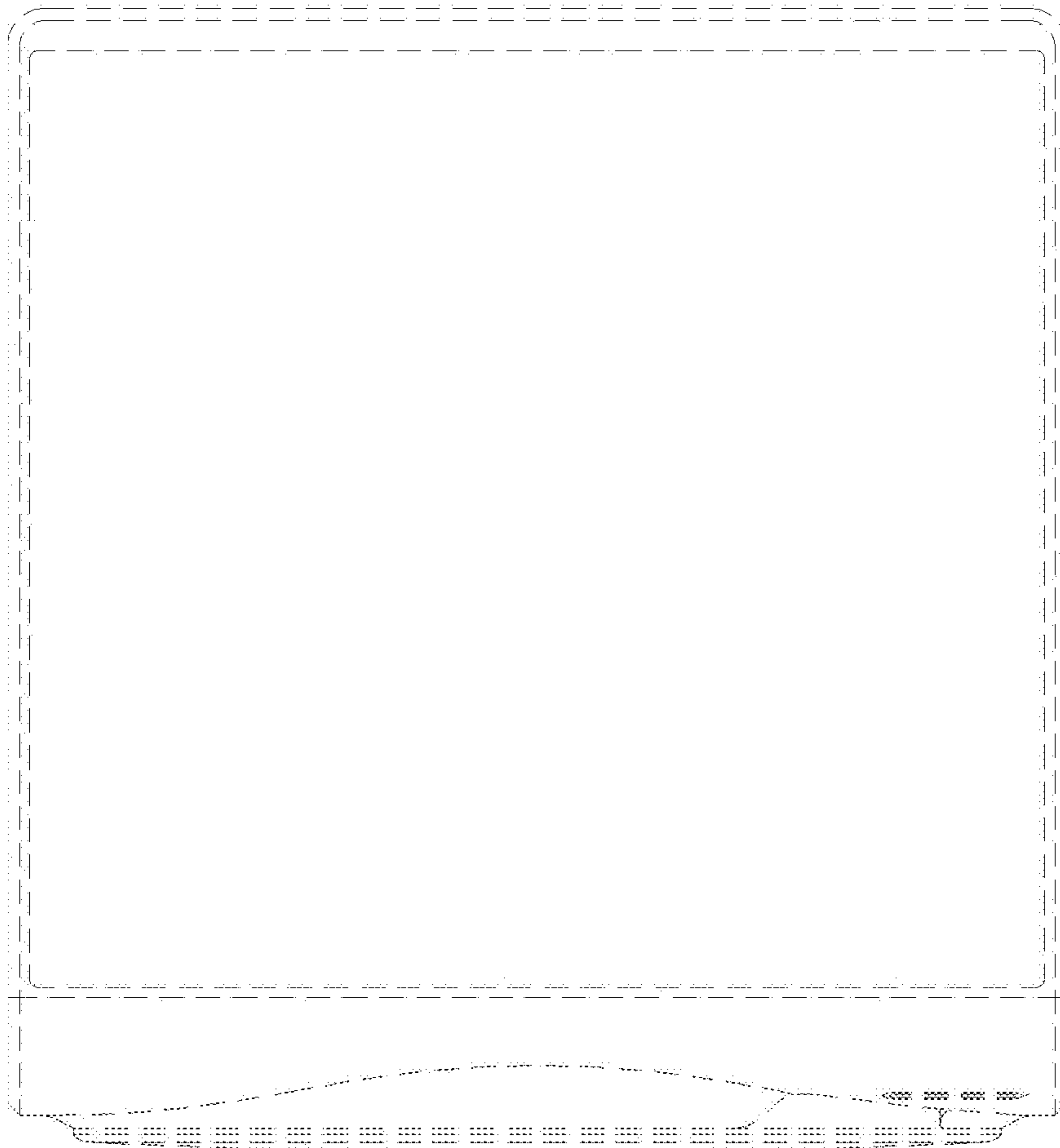
**FIG. 4**



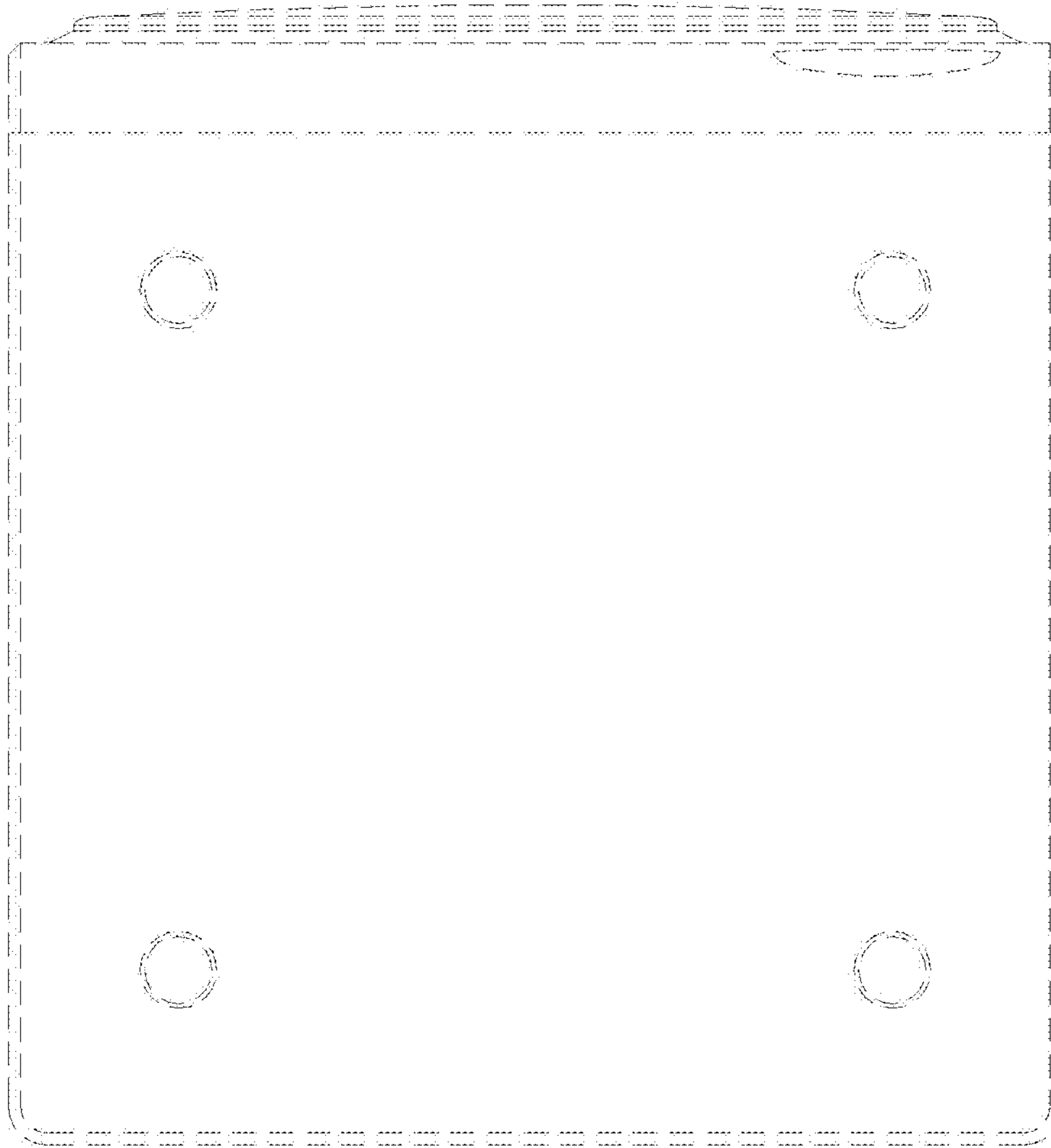
**FIG. 5**



**FIG. 6**



**FIG. 7**





UNITED STATES PATENT AND TRADEMARK OFFICE  
**CERTIFICATE OF CORRECTION**

PATENT NO. : D698,508 S  
APPLICATION NO. : 29/441418  
DATED : January 28, 2014  
INVENTOR(S) : Chul-Yong Cho et al.

Page 1 of 1

It is certified that error appears in the above-identified patent and that said Letters Patent is hereby corrected as shown below:

On the Title Page, please insert item (30)

-- Foreign Application Priority Data

Dec. 27, 2012 (KR) 30-2012-0062553--.

Signed and Sealed this  
Thirteenth Day of May, 2014



Michelle K. Lee  
*Deputy Director of the United States Patent and Trademark Office*