



US00D698505S

(12) **United States Design Patent**
Muzaffer

(10) **Patent No.:** **US D698,505 S**
(45) **Date of Patent:** **** Jan. 28, 2014**

(54) **PET GATE**

(71) Applicant: **Samir Ali Muzaffer**, Centennial, CO (US)

(72) Inventor: **Samir Ali Muzaffer**, Centennial, CO (US)

(**) Term: **14 Years**

(21) Appl. No.: **29/439,940**

(22) Filed: **Dec. 17, 2012**

(51) **LOC (10) Cl.** **30-99**

(52) **U.S. Cl.**
USPC **D30/199; D30/108**

(58) **Field of Classification Search**
USPC D30/108, 109, 114, 119, 199; D6/300, D6/332, 718.21; D20/10, 17, 39, 40, 41; D25/38.1, 35, 48.5, 149; 49/55, 169, 49/463, 465; 52/200, 202, 207, 507; 119/452, 474, 484, 498, 502, 512-514; 160/217, 218, 225, 130, 135; 256/24, 256/26, 73; 403/382

See application file for complete search history.

(56) **References Cited**

U.S. PATENT DOCUMENTS

534,389	A *	2/1895	Duncan	256/24
D82,779	S *	12/1930	Armstrong	D25/149
2,577,034	A *	12/1951	Quinlan	160/217
2,896,277	A *	7/1959	Halligan	49/465
D208,534	S *	9/1967	Blum et al.	D25/35
3,863,899	A *	2/1975	Werner	256/24

(Continued)

Primary Examiner — Caron D Veynar

Assistant Examiner — Martie K Holtje

(74) *Attorney, Agent, or Firm* — Abigail Smith; Oppedahl Patent Law Firm LLC

(57) **CLAIM**

The ornamental design for a pet gate, as shown and described.

DESCRIPTION

FIG. 1 is a left side elevation view of my new design for a pet gate.

FIG. 2 is a right side elevation view of FIG. 1.

FIG. 3 is a top plan view of FIG. 1.

FIG. 4 is a bottom plan view of FIG. 1.

FIG. 5 is a front elevation view of FIG. 1, the rear elevation view being a mirror image thereof.

FIG. 6 is a front perspective view of FIG. 1.

FIG. 7 is a left side elevation view of a second embodiment of my new design for a pet gate.

FIG. 8 is a right side elevation view of FIG. 7.

FIG. 9 is a top plan view of FIG. 7.

FIG. 10 is a bottom plan view of FIG. 7.

FIG. 11 is a front elevation view of FIG. 7, the rear elevation view being a mirror image thereof.

FIG. 12 is a front perspective view of FIG. 7.

FIG. 13 is a left side elevation view of a third embodiment of my new design for a pet gate.

FIG. 14 is a right side elevation view of FIG. 13.

FIG. 15 is a top plan view of FIG. 13.

FIG. 16 is a bottom plan view of FIG. 13.

FIG. 17 is a front elevation view of FIG. 13, the rear elevation view being a mirror image thereof.

FIG. 18 is a front perspective view of FIG. 13.

FIG. 19 is a left side elevation view of a fourth embodiment of my new design for a pet gate.

FIG. 20 is a right side elevation view of FIG. 19.

FIG. 21 is a top plan view of FIG. 19.

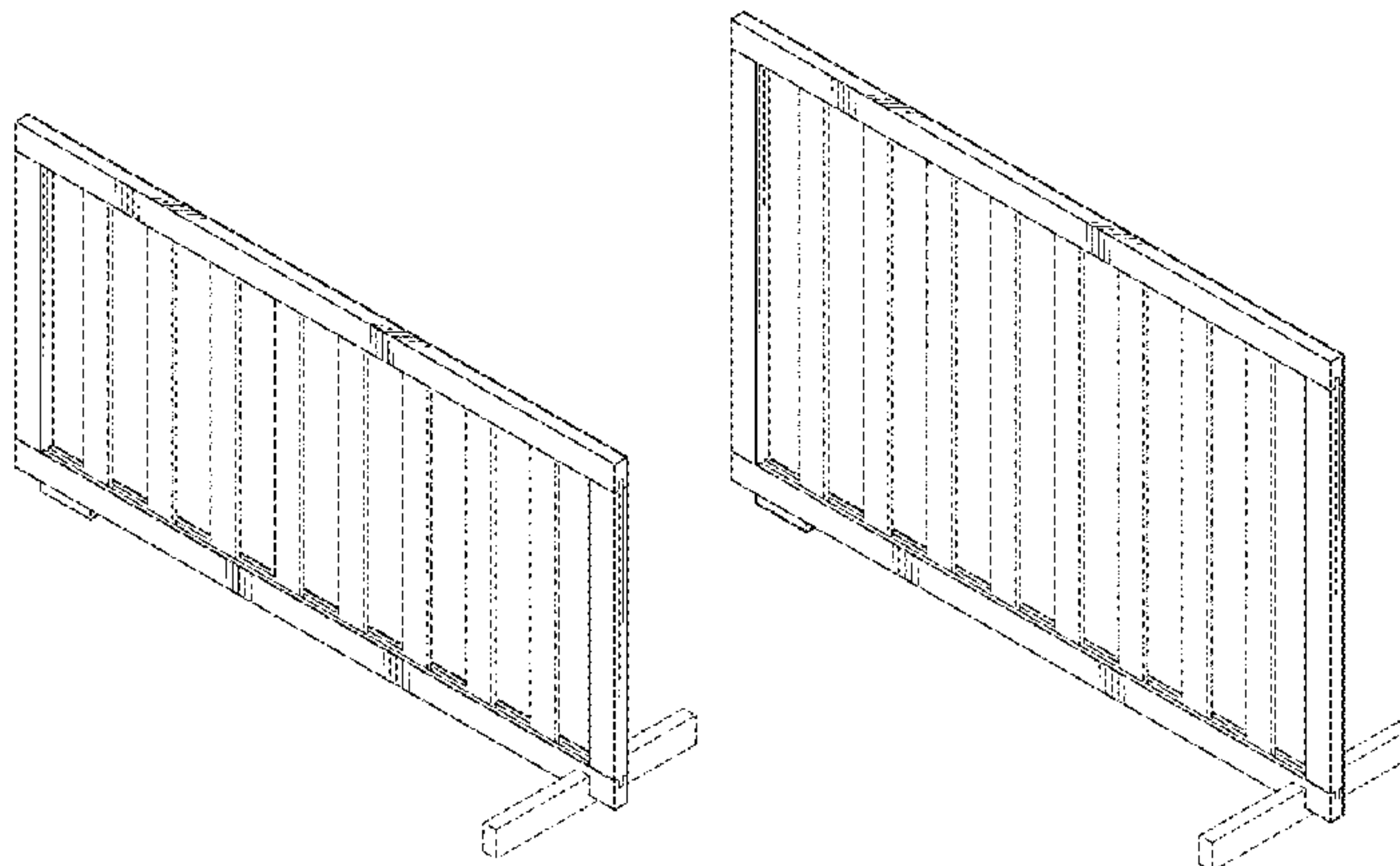
FIG. 22 is a bottom plan view of FIG. 19.

FIG. 23 is a front elevation view of FIG. 19, the rear elevation view being a mirror image thereof; and,

FIG. 24 is a front perspective view of FIG. 19.

The features shown in broken lines in the drawings depict environmental subject matter only and form no part of the claimed design.

1 Claim, 7 Drawing Sheets



(56)

References Cited

U.S. PATENT DOCUMENTS

D242,100 S * 11/1976 Casey D6/332
 4,844,424 A * 7/1989 Knudslien 256/26
 5,603,585 A * 2/1997 Bruchu et al. 403/382
 D385,967 S * 11/1997 Junell D25/38.1
 5,868,382 A * 2/1999 Groves 256/73
 6,016,629 A * 1/2000 Sylvester et al. 49/55
 D422,367 S * 4/2000 Mishina D25/38.1
 6,112,460 A * 9/2000 Wagnitz 49/55
 6,152,081 A * 11/2000 Baker 119/498
 D472,331 S * 3/2003 Zadak D25/48.5
 6,681,523 B1 * 1/2004 Stener 49/55
 D502,550 S * 3/2005 Walker D25/38.1

D524,061 S * 7/2006 Bruce D6/300
 D579,609 S * 10/2008 Hirokawa et al. D30/114
 7,568,449 B2 * 8/2009 Hirokawa et al. 119/452
 7,739,983 B2 * 6/2010 Hirokawa et al. 119/452
 D620,608 S * 7/2010 Deneyer D25/38.1
 7,954,456 B2 * 6/2011 Hirokawa et al. 119/452
 8,074,969 B2 * 12/2011 Lee et al. 256/73
 8,196,348 B2 * 6/2012 Flannery 49/55
 2006/0081827 A1 * 4/2006 Strong et al. 256/24
 2008/0110413 A1 * 5/2008 Kobayashi et al. 119/514
 2008/0185566 A1 * 8/2008 Flannery 256/73
 2009/0071074 A1 * 3/2009 Yates 49/55
 2011/0198549 A1 * 8/2011 Hirokawa et al. 256/24
 2012/0233922 A1 * 9/2012 Flannery et al. 49/55

* cited by examiner

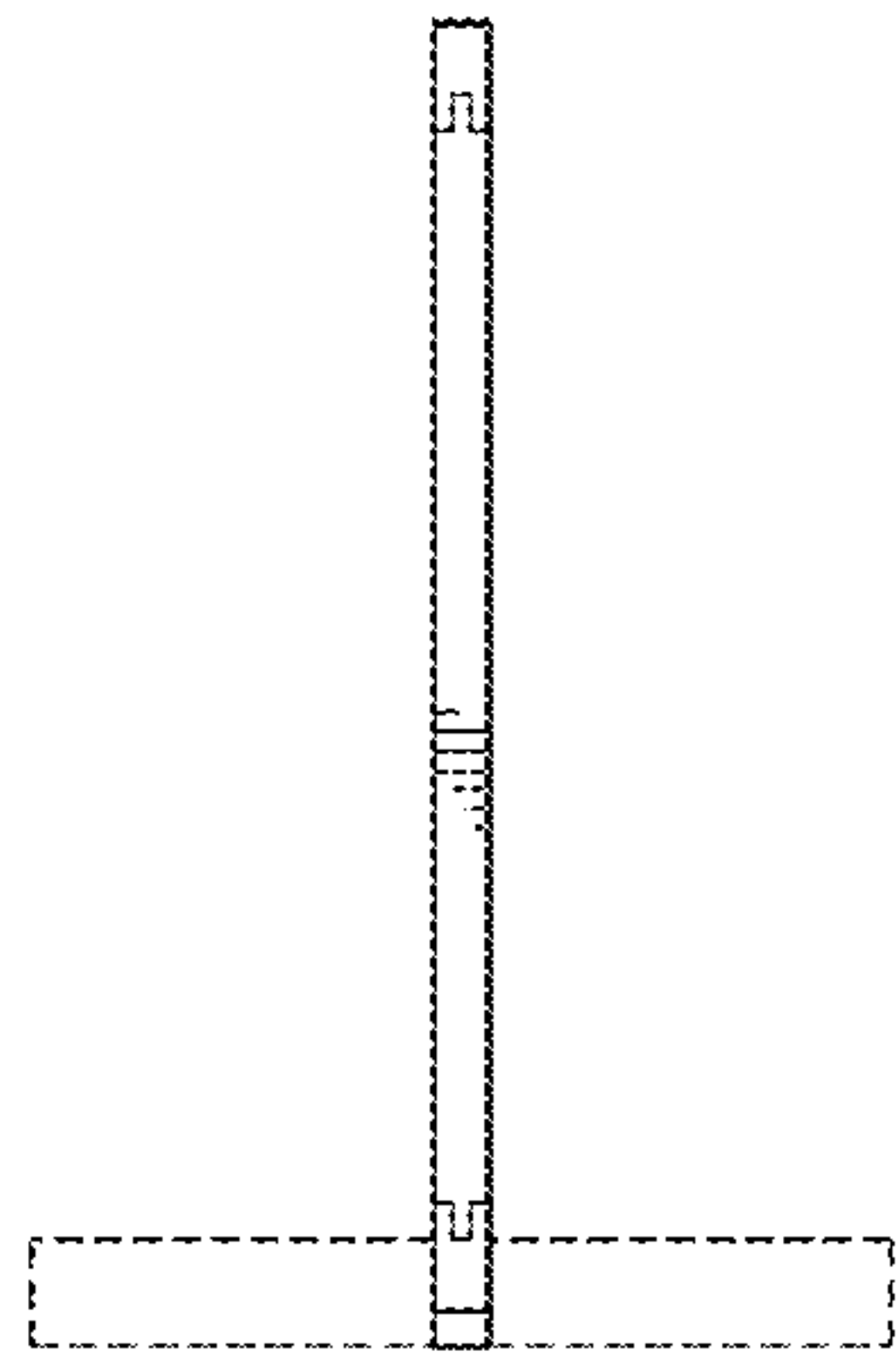


FIG.1

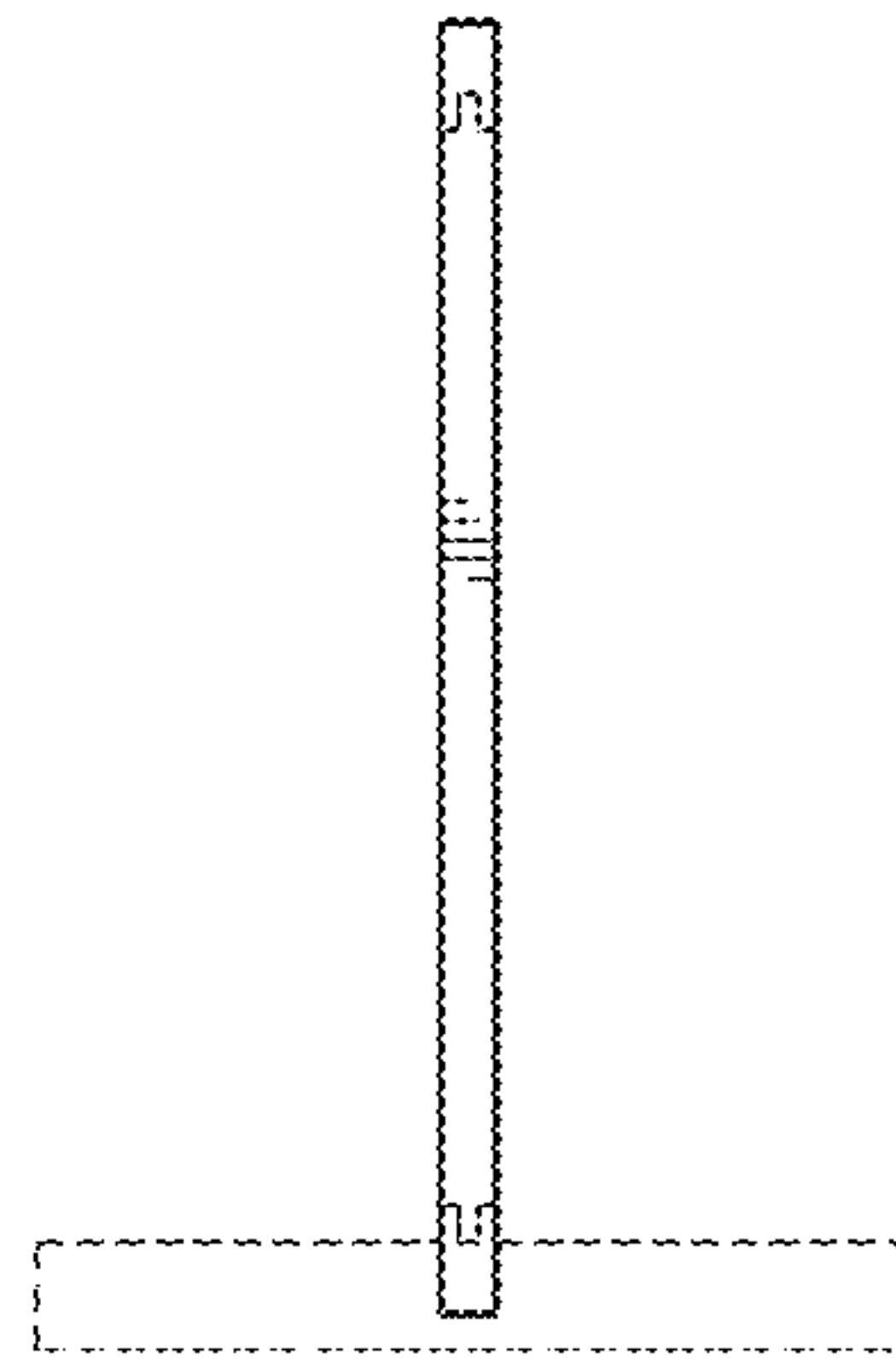


FIG.2

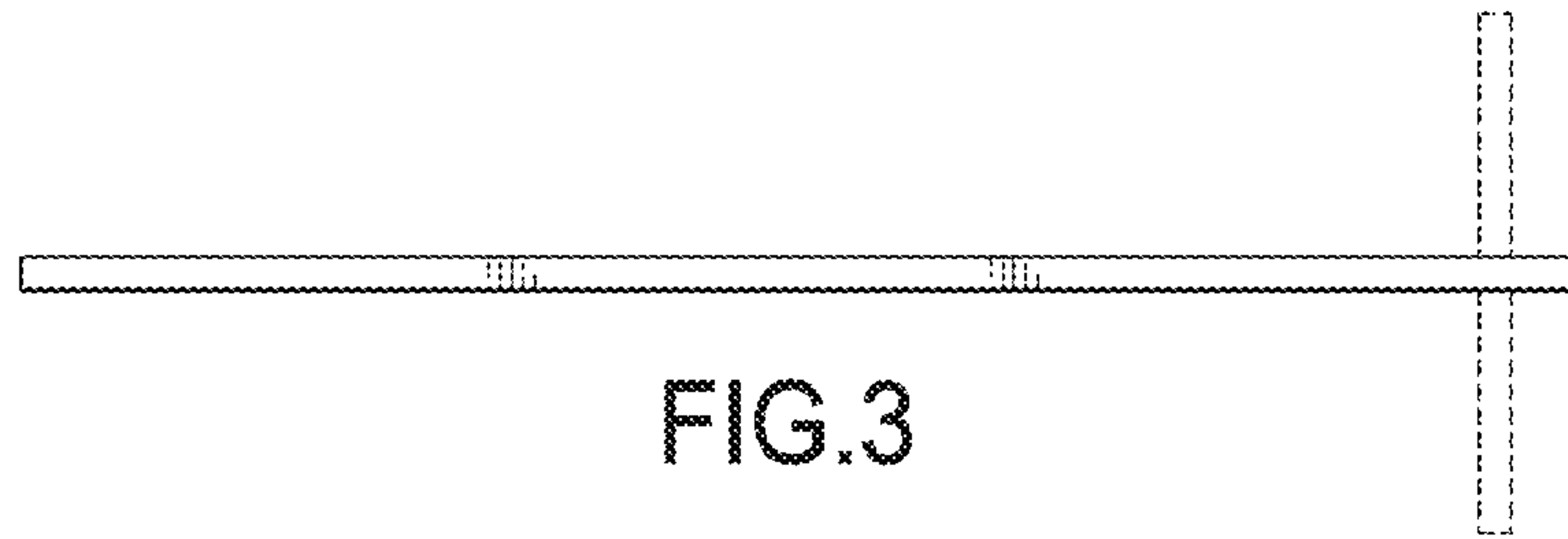


FIG.3

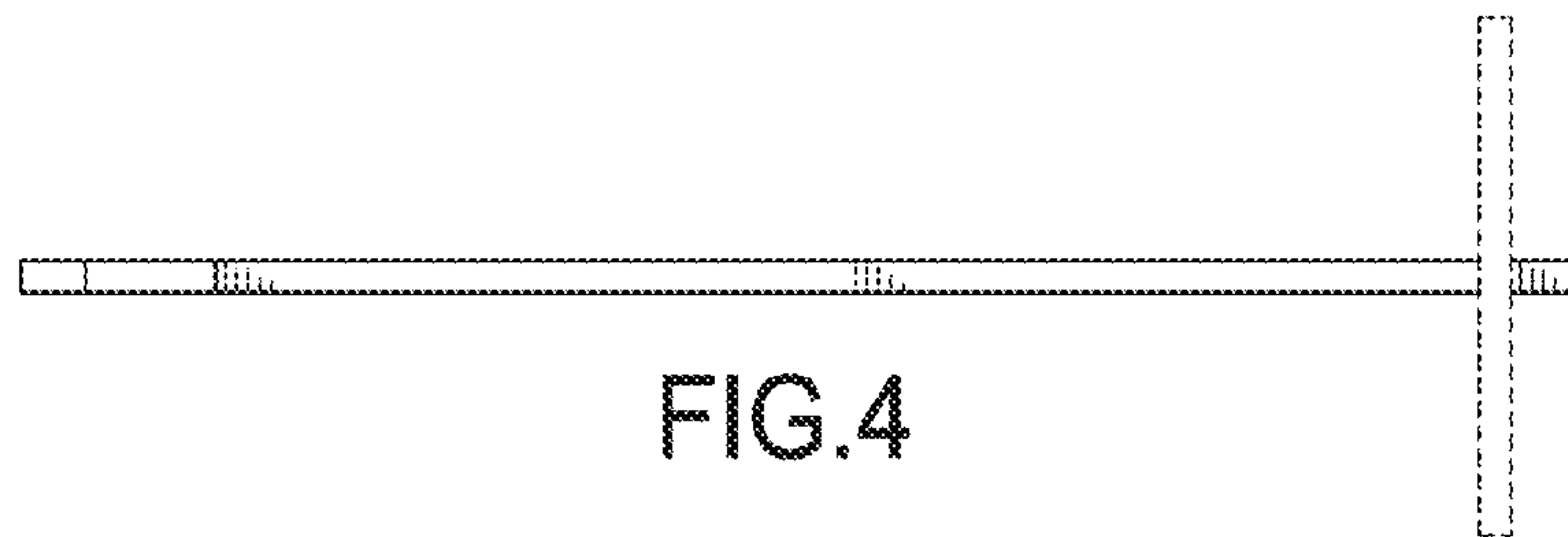


FIG.4

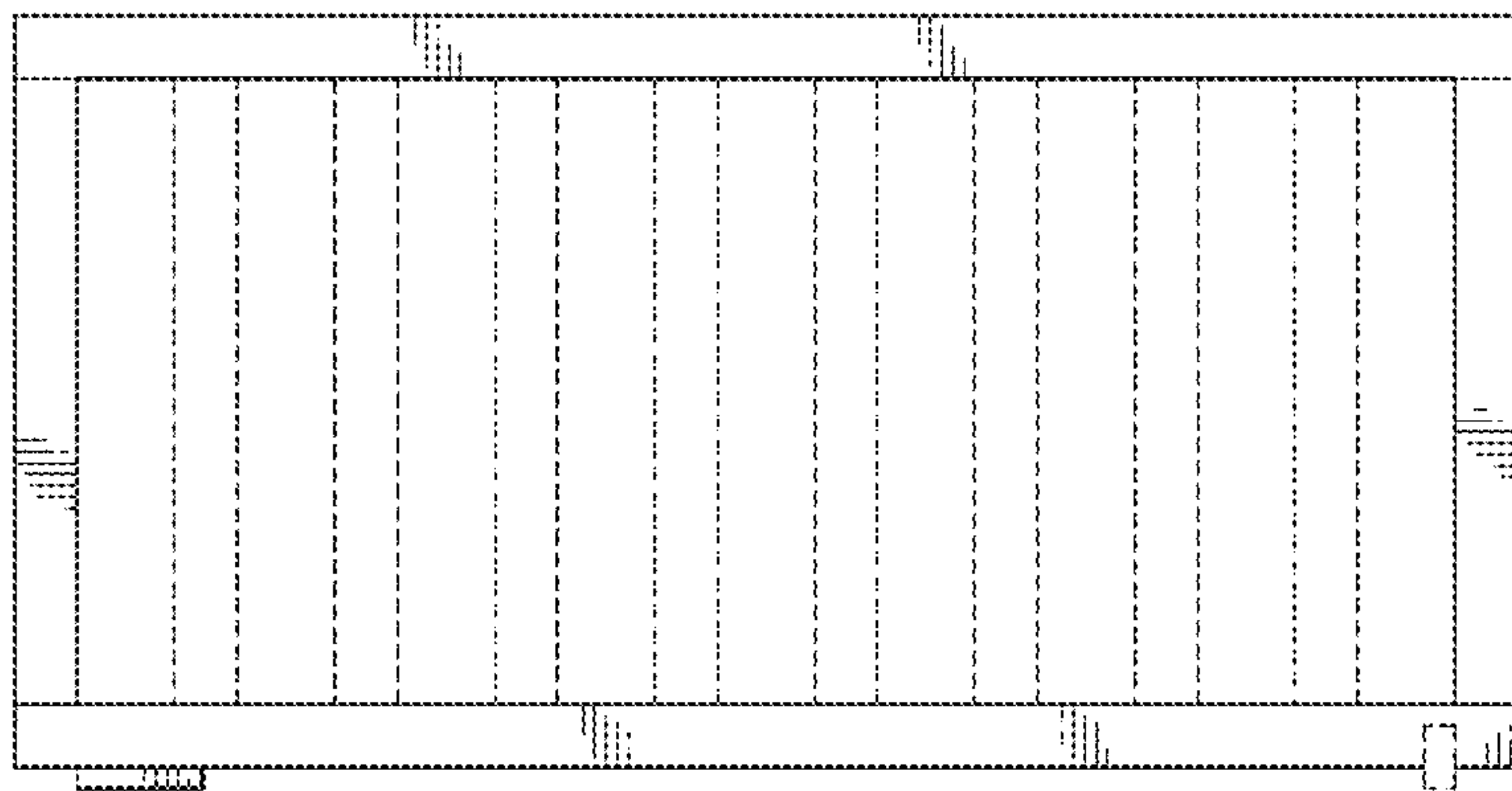


FIG.5

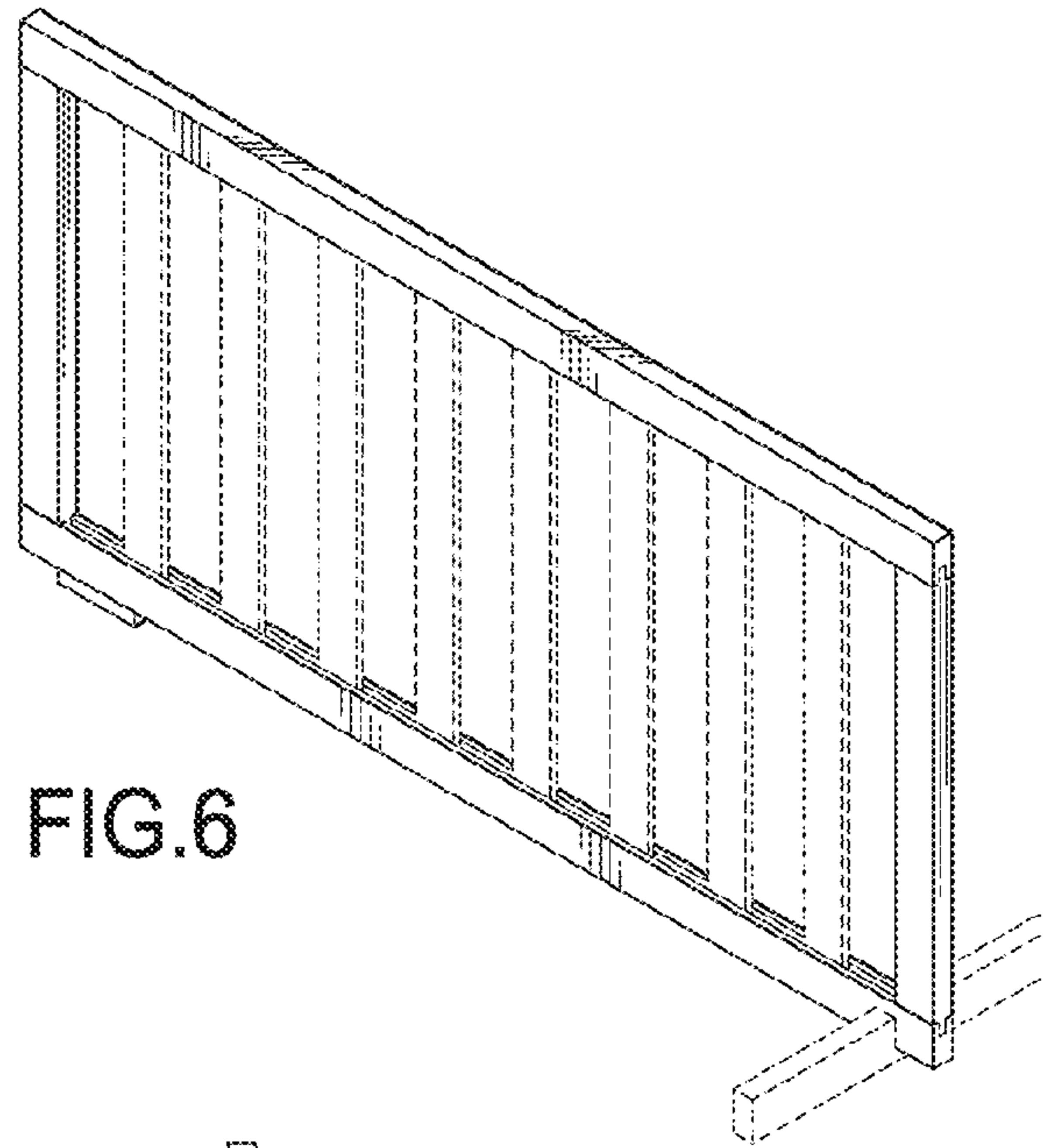


FIG. 6

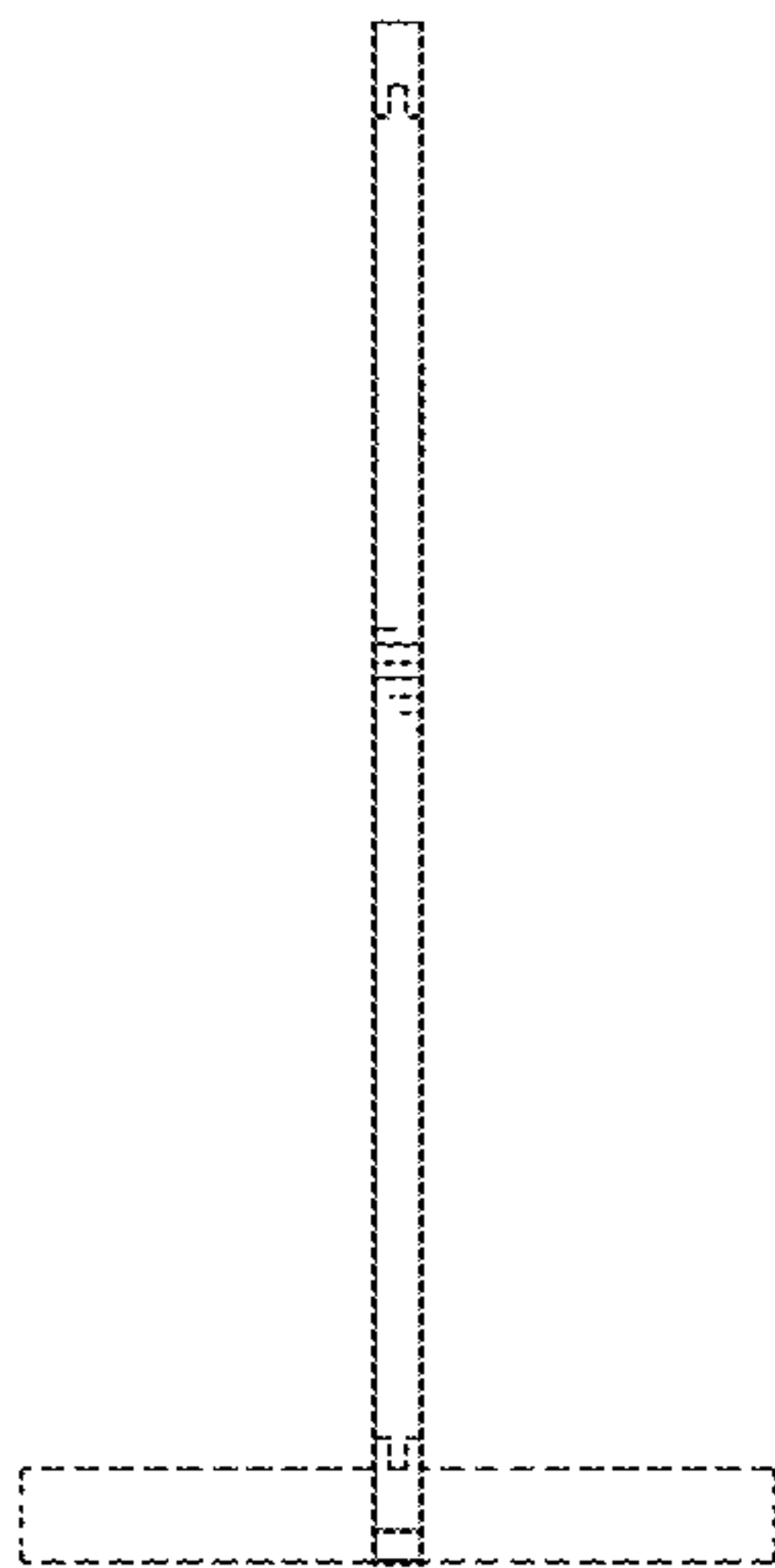


FIG. 7

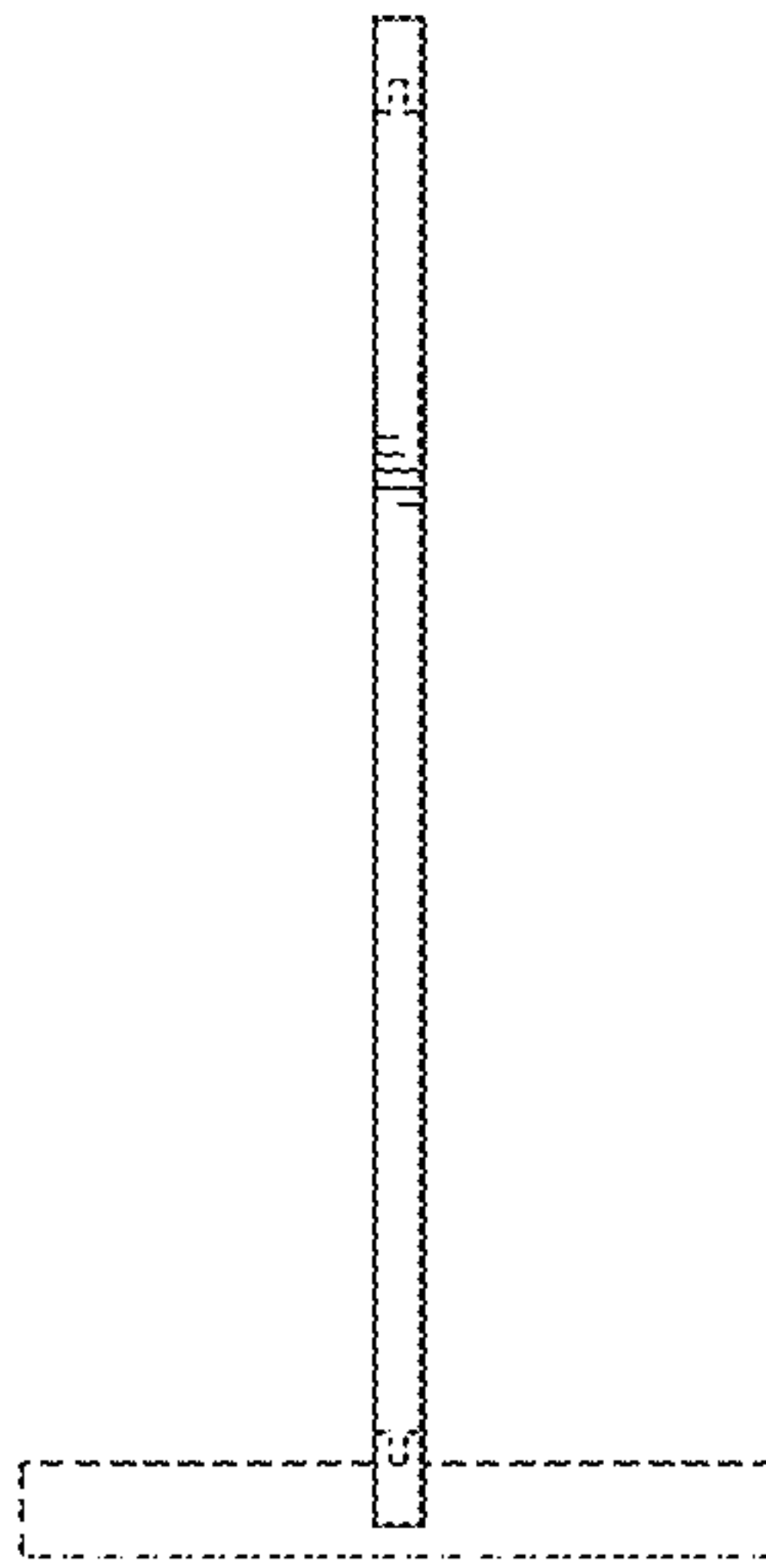


FIG. 8

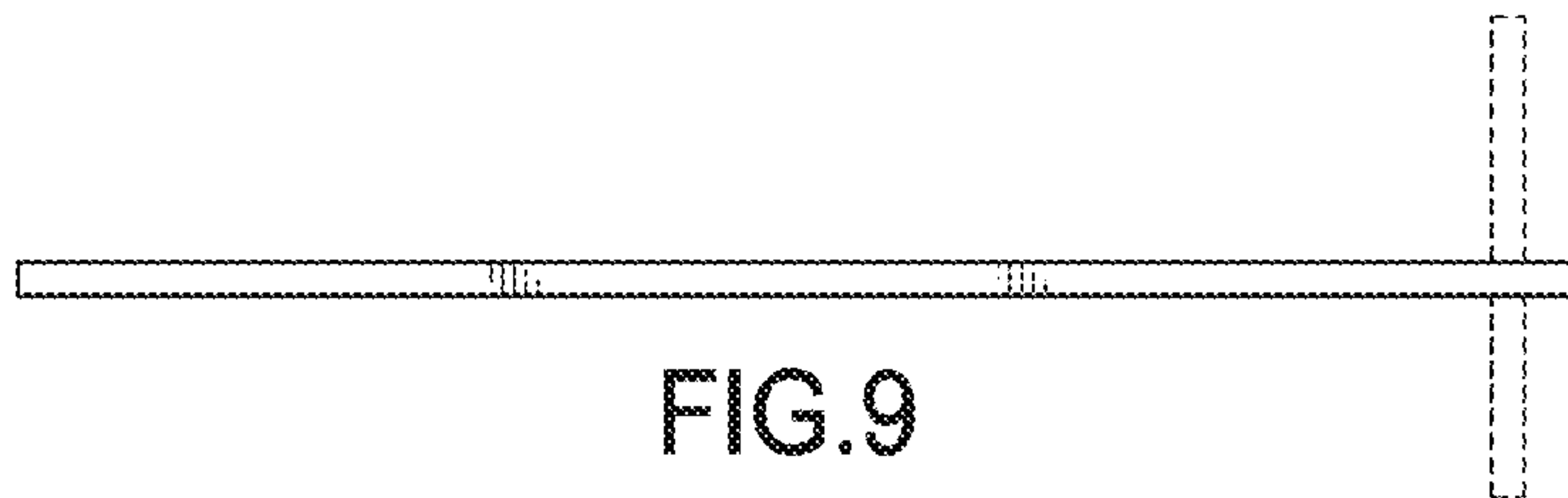


FIG. 9

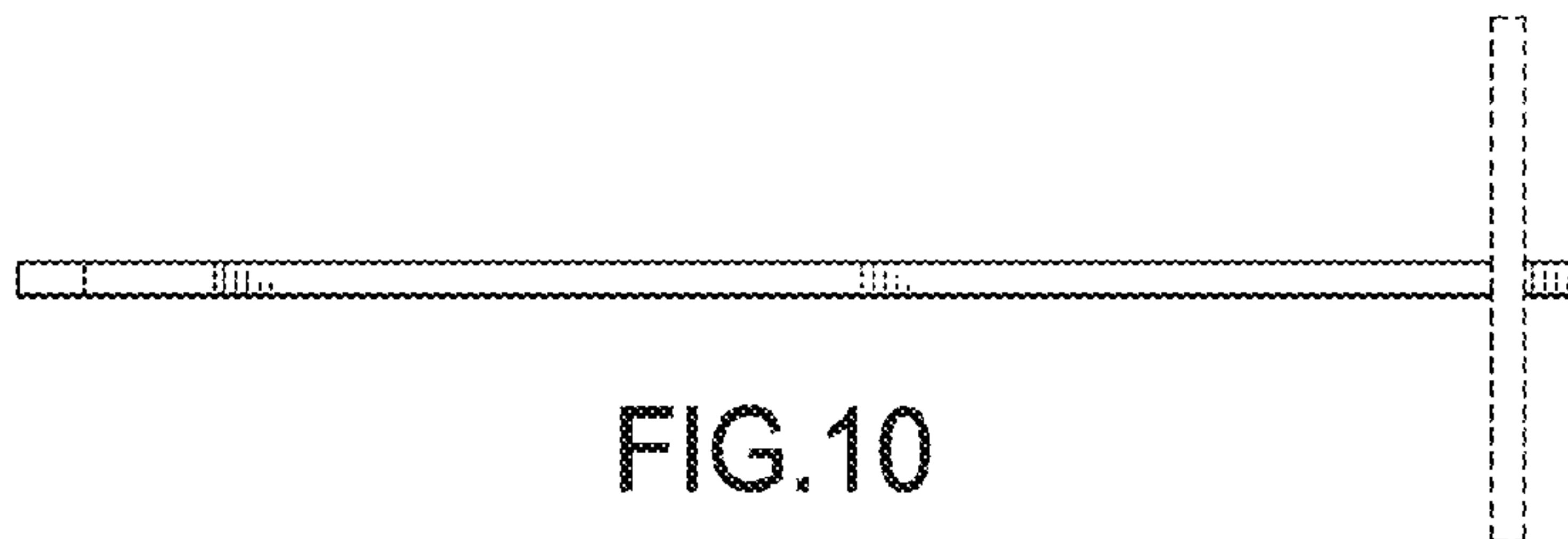


FIG. 10

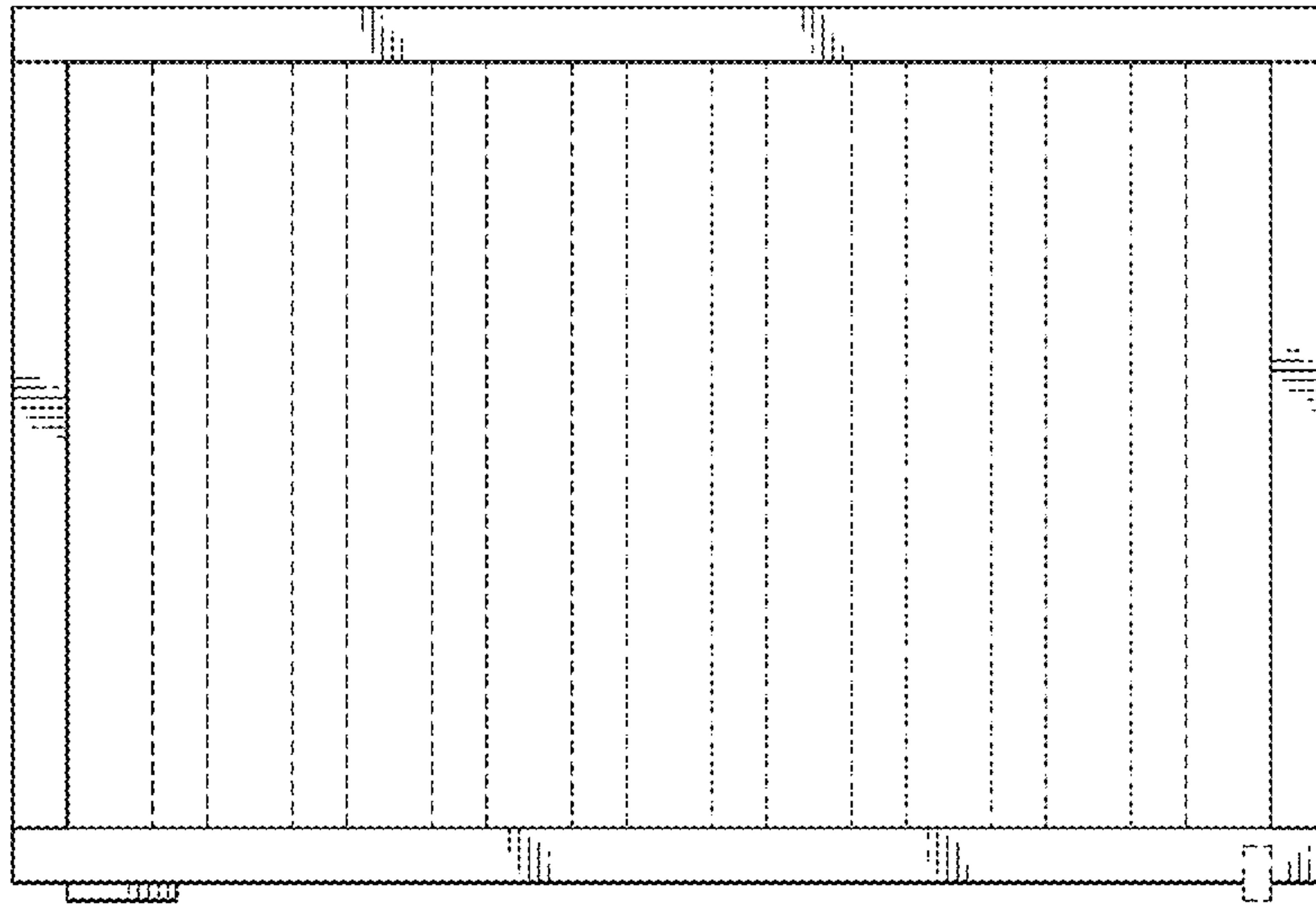


FIG. 11

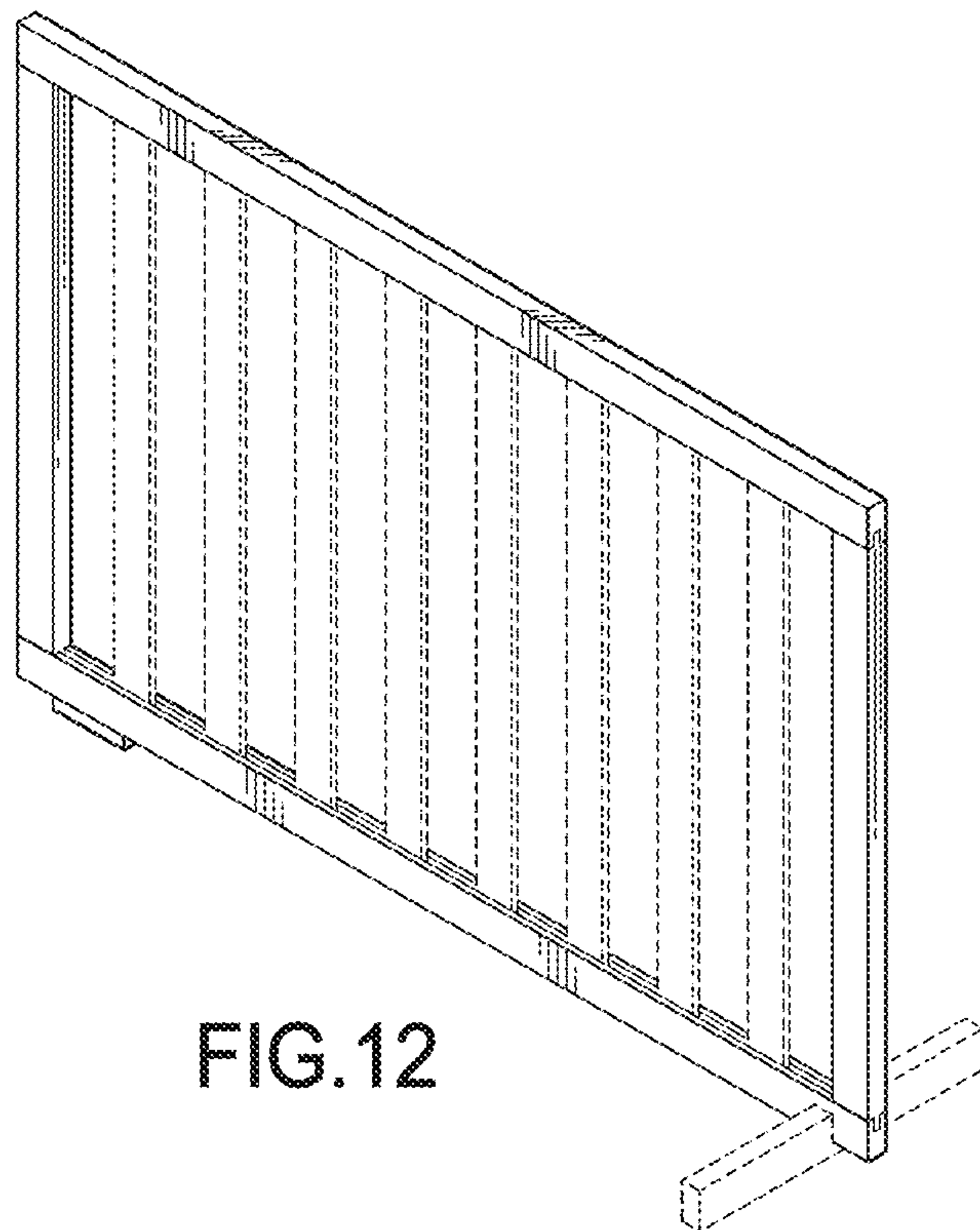


FIG. 12

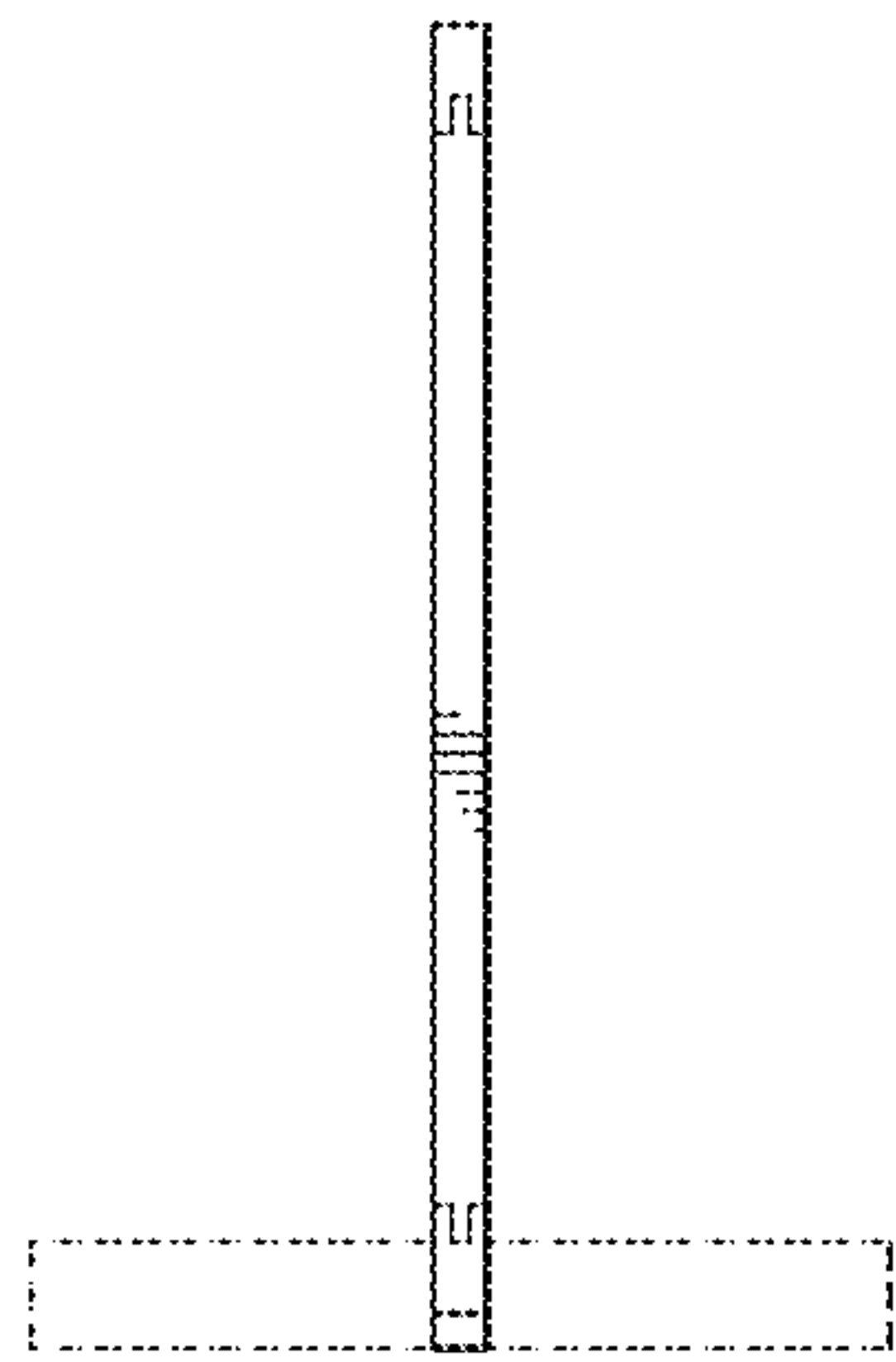


FIG. 13

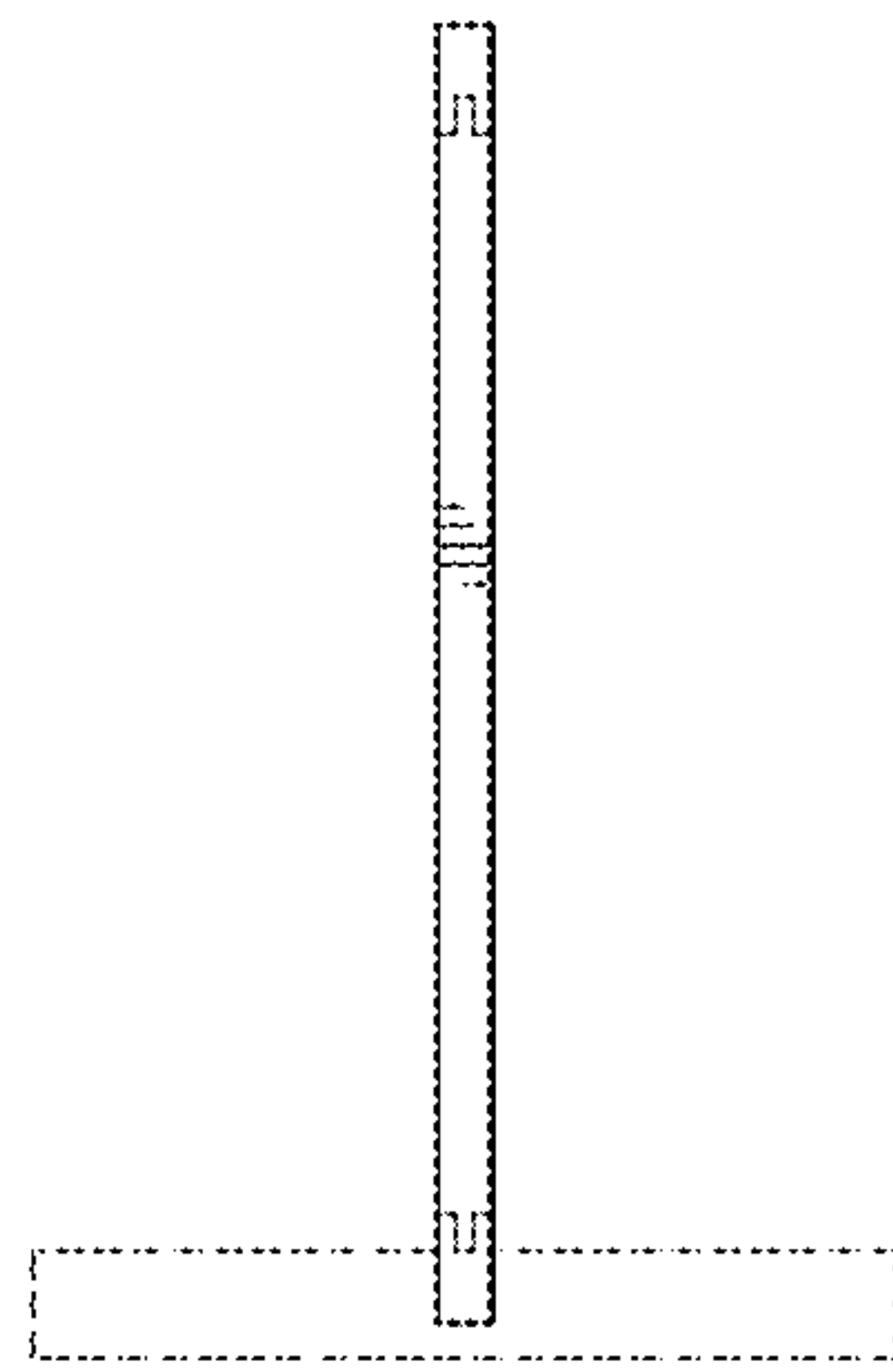


FIG. 14

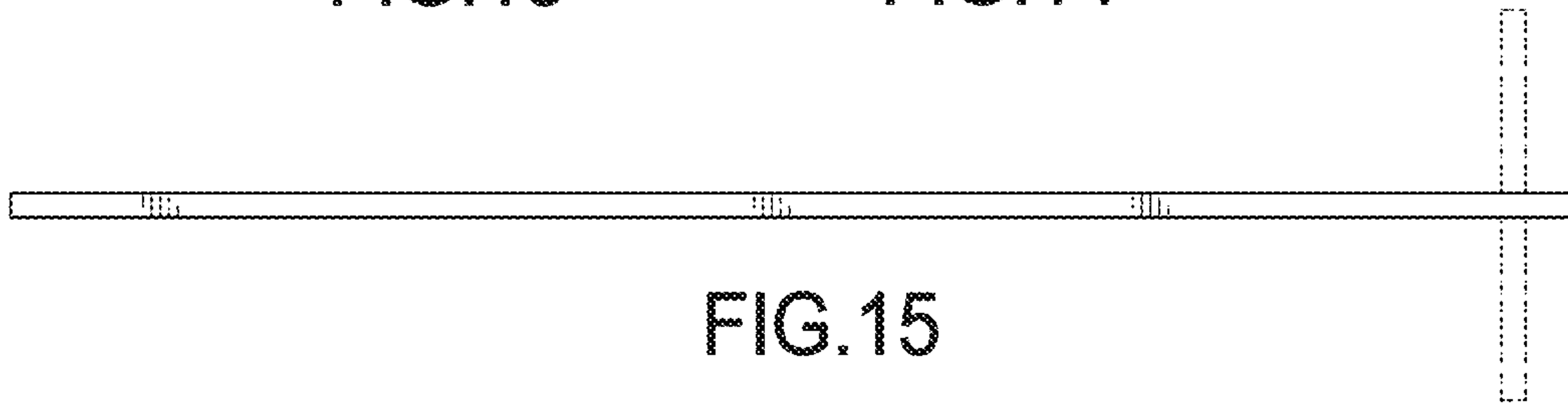


FIG. 15

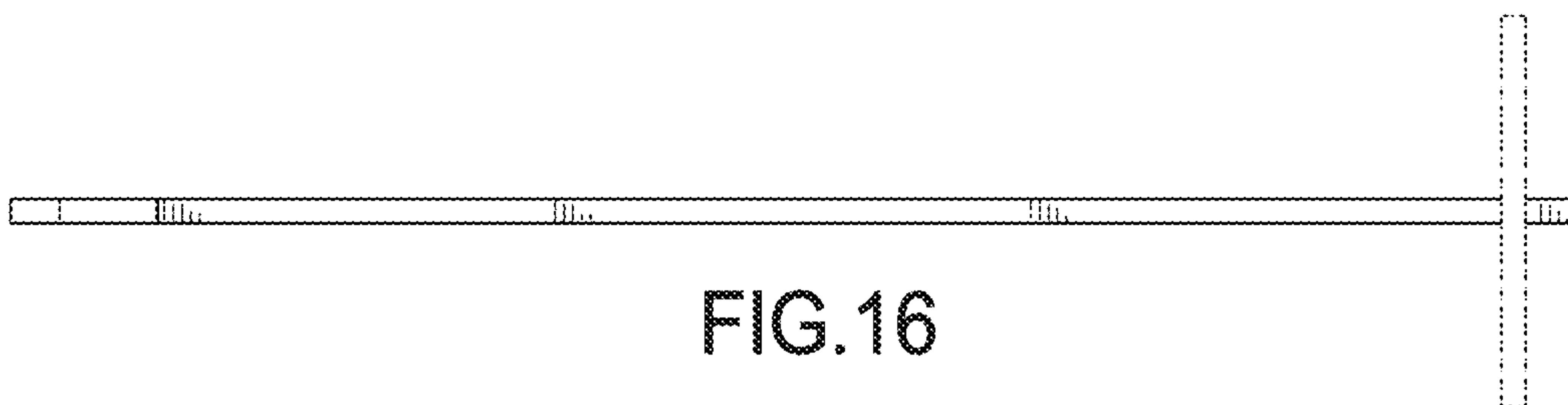


FIG. 16

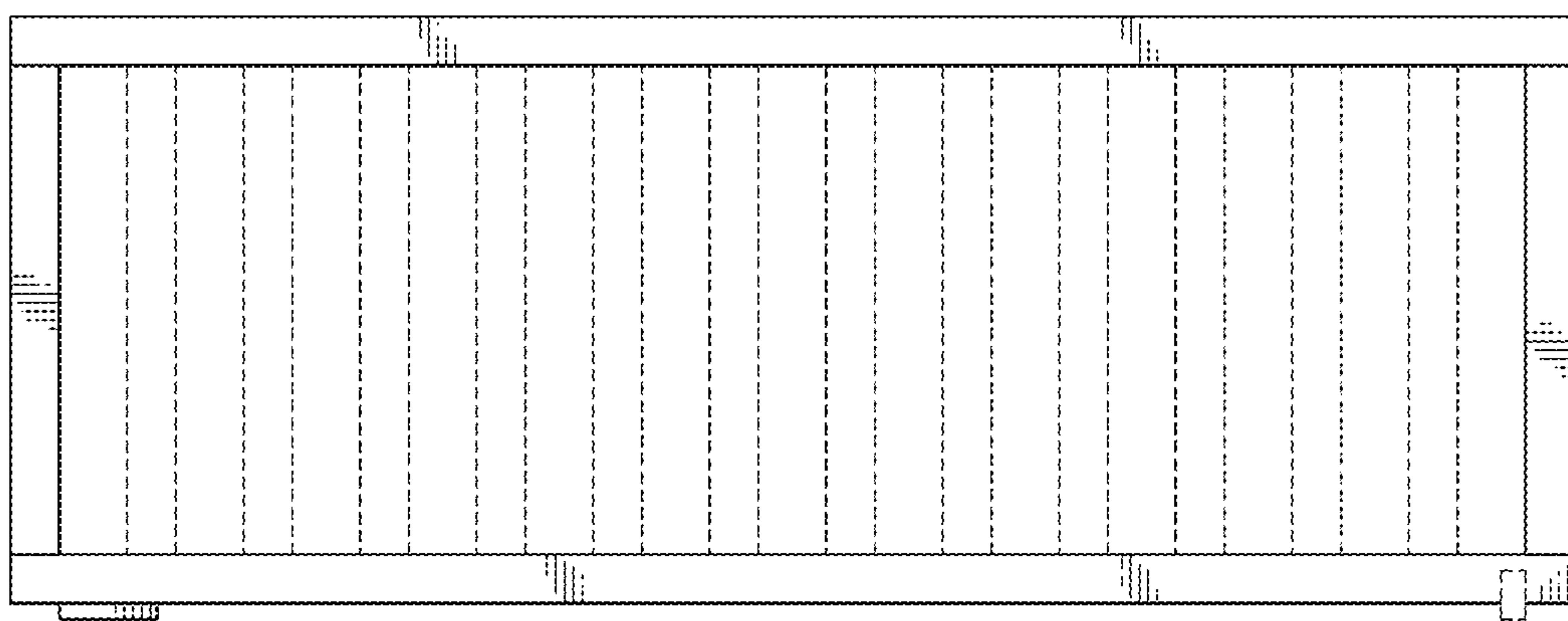


FIG. 17

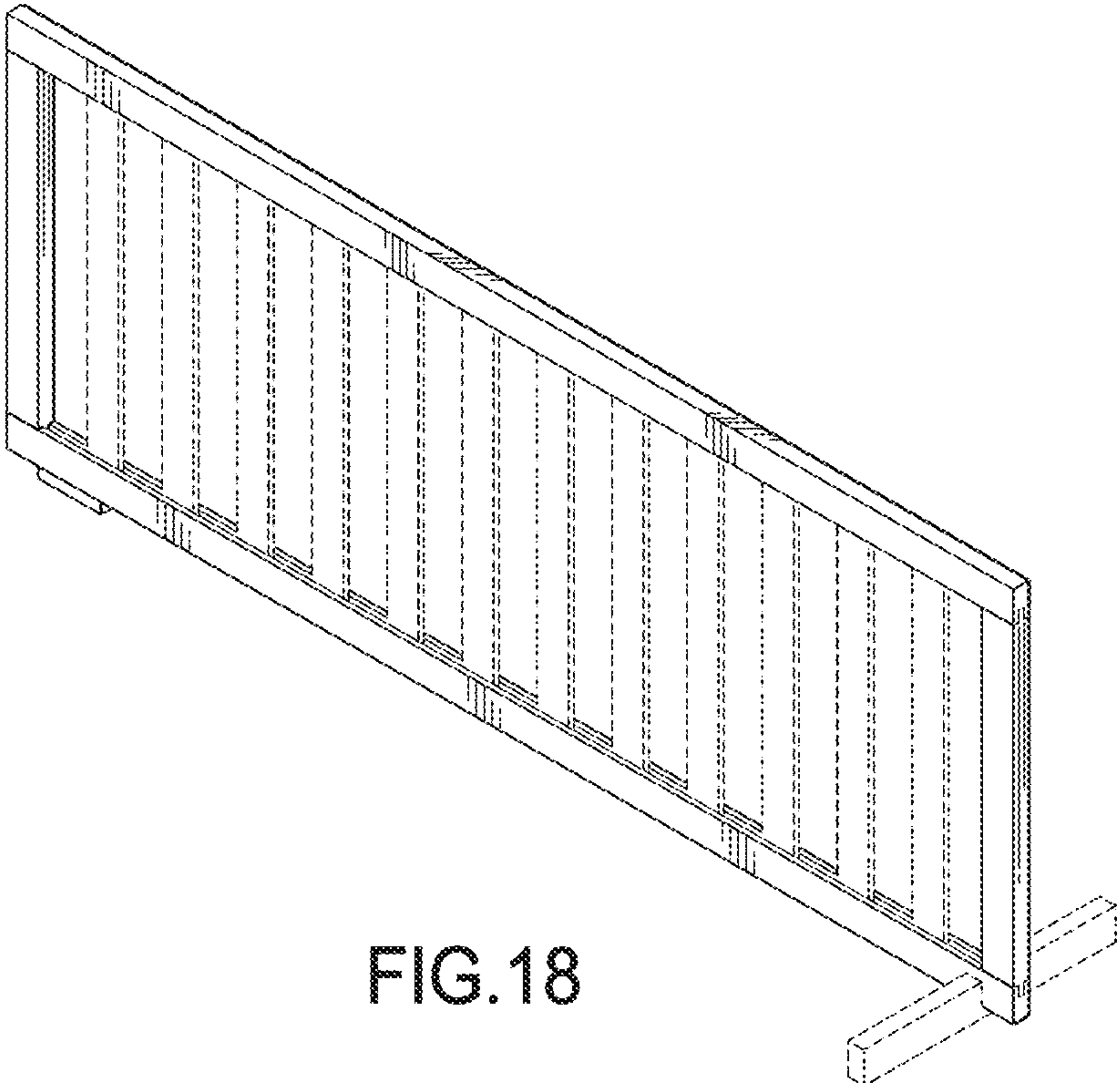


FIG.18

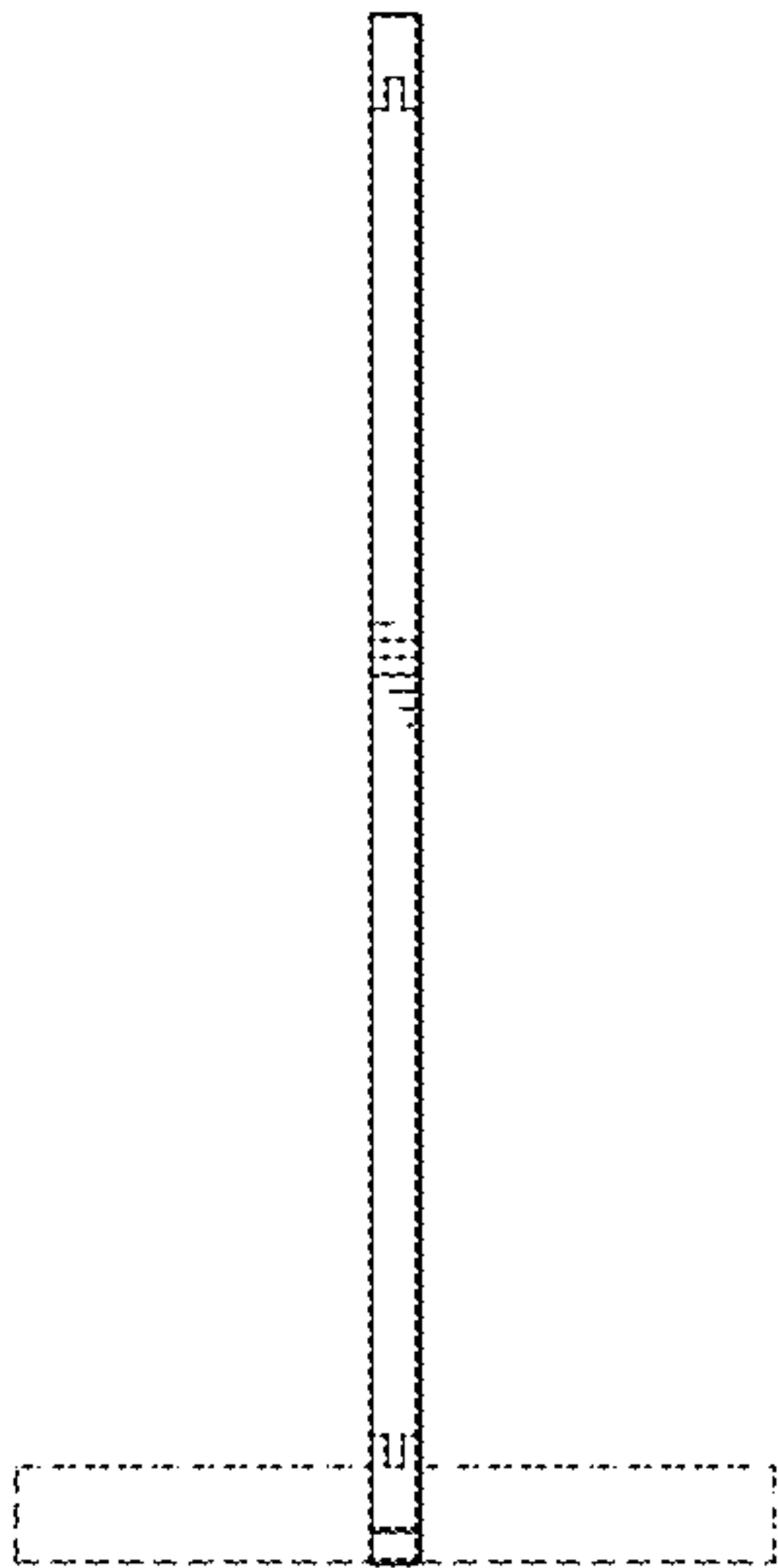


FIG.19

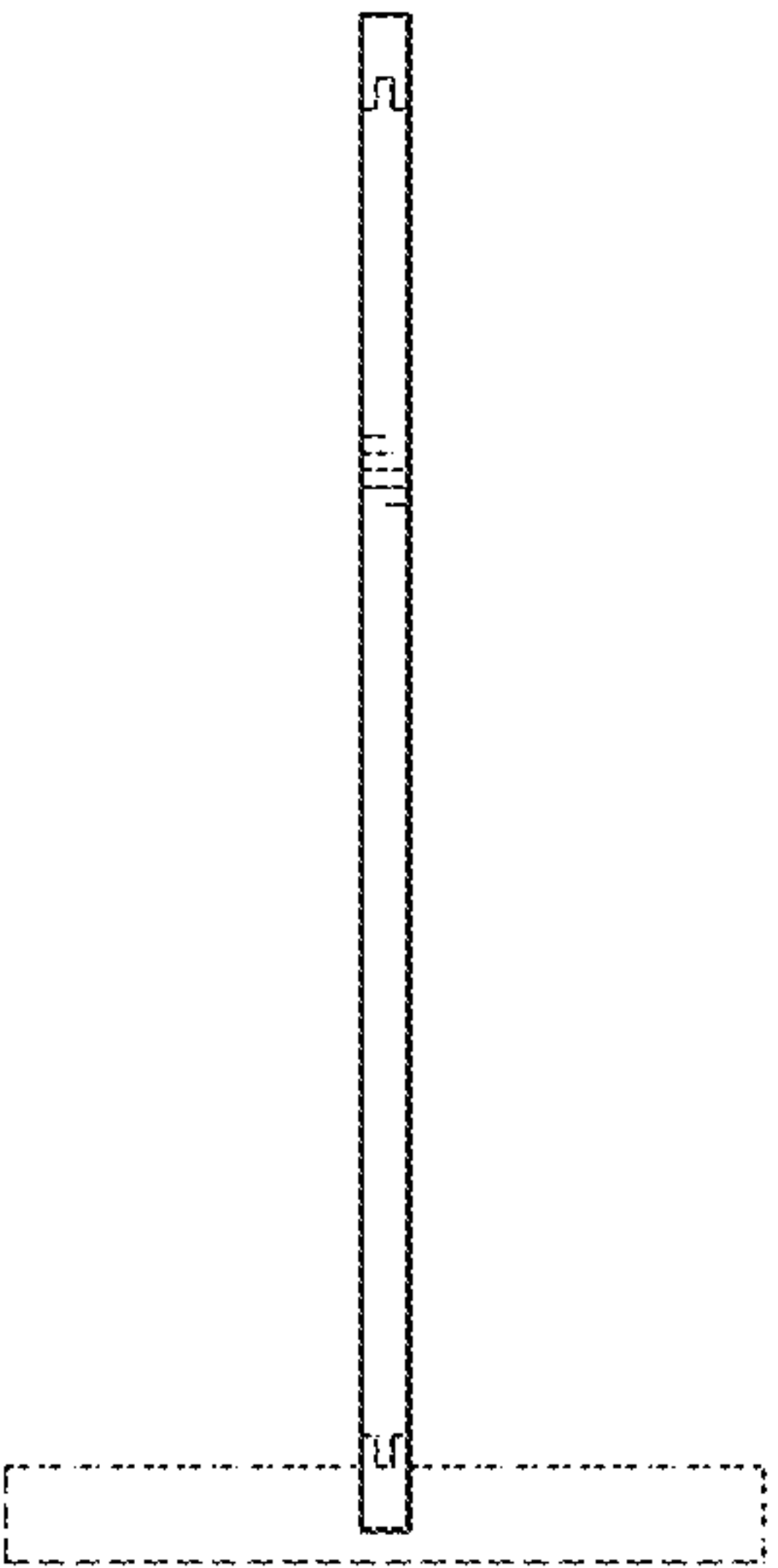


FIG.20

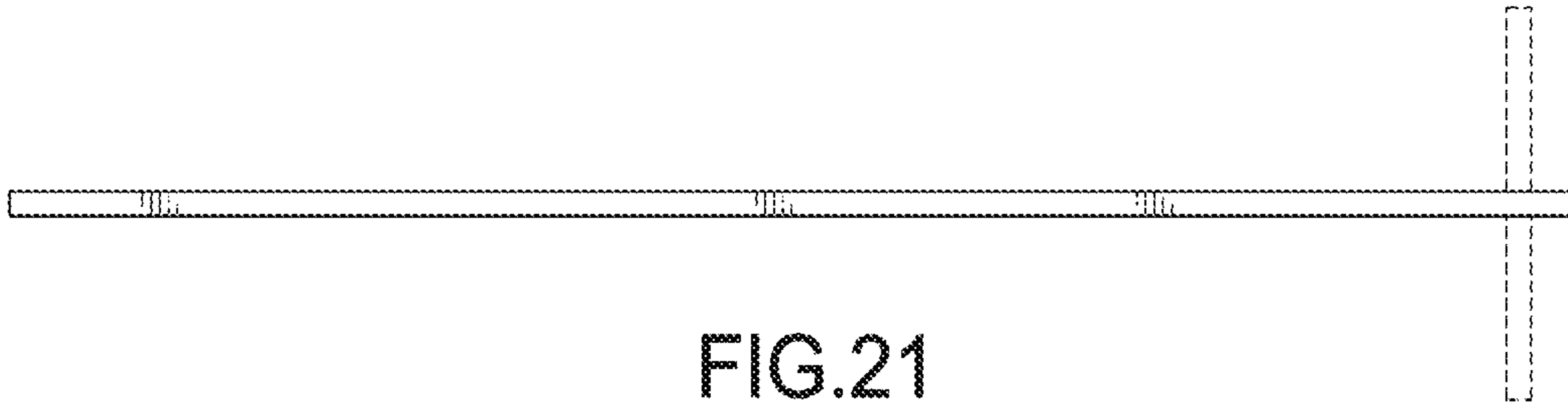


FIG. 21

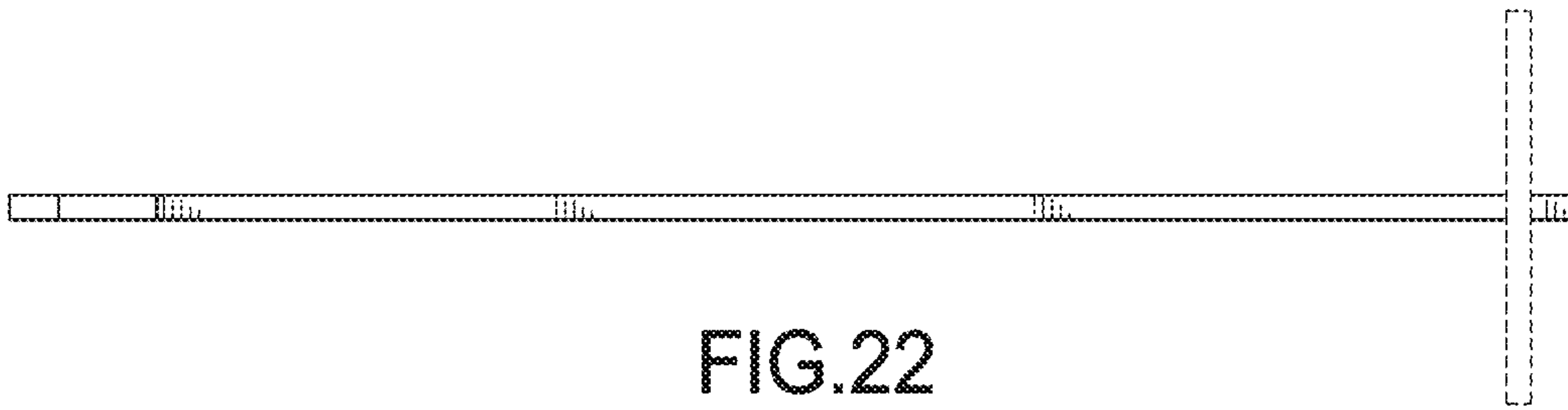


FIG. 22

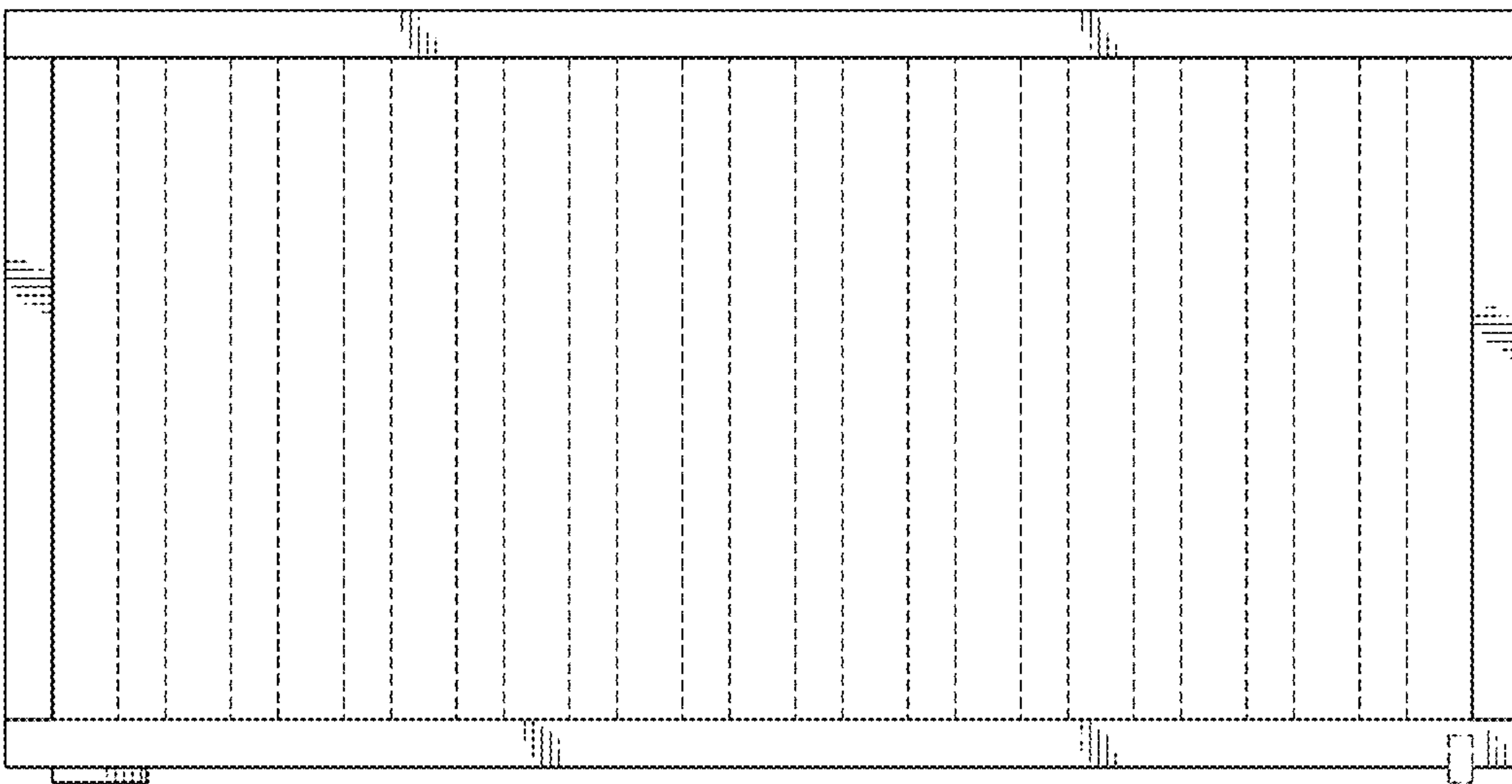


FIG. 23

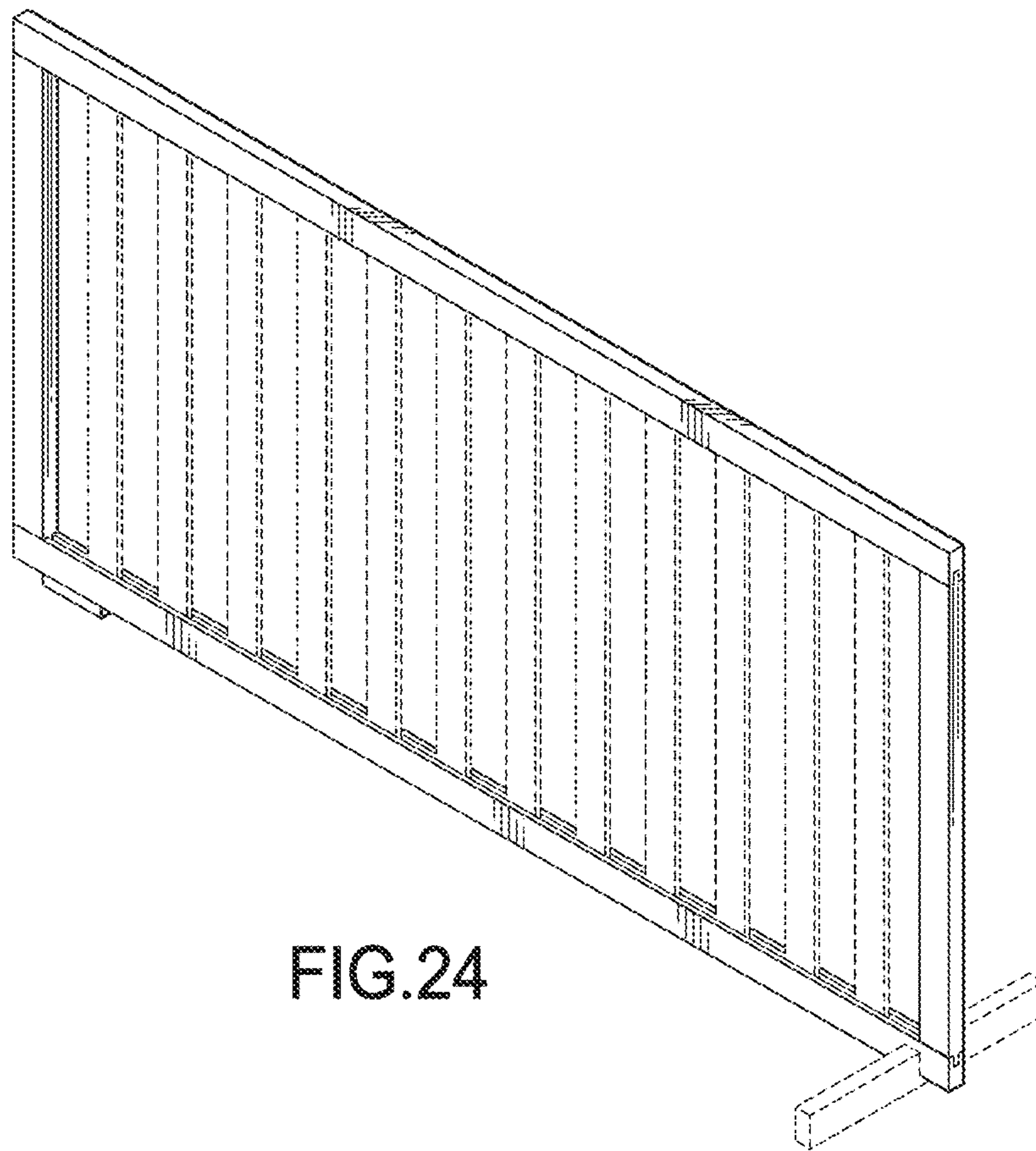


FIG.24