



US00D698499S

(12) **United States Design Patent**
Deng

(10) **Patent No.:** **US D698,499 S**
(45) **Date of Patent:** **** Jan. 28, 2014**

(54) **CRYSTAL PALACE**

(75) Inventor: **Peixing Deng**, Shenzhen (CN)

(73) Assignee: **Shenzhen Xingrisheng Industrial Co., Ltd.**, Shenzhen (CN)

(**) Term: **14 Years**

(21) Appl. No.: **29/423,665**

(22) Filed: **Jun. 4, 2012**

(30) **Foreign Application Priority Data**

Dec. 6, 2011 (CN) 2011 3 0459881

(51) **LOC (10) CL.** **30-02**

(52) **U.S. Cl.**
USPC **D30/101**

(58) **Field of Classification Search**

USPC D30/101-107; D11/145, 152; D9/418, D9/503; 206/769, 776; 119/233, 245-248, 119/251, 253, 258, 265, 269; 220/23.87
See application file for complete search history.

(56) **References Cited**

U.S. PATENT DOCUMENTS

D259,292 S * 5/1981 Conrad D30/101
5,036,998 A * 8/1991 Dunn 220/23.87

D350,626 S * 9/1994 Ross D30/101
D400,005 S * 10/1998 Wolff D9/418
D571,052 S * 6/2008 Kilroy D30/104
D630,124 S * 1/2011 Connell et al. D11/152

* cited by examiner

Primary Examiner — Wan Laymon

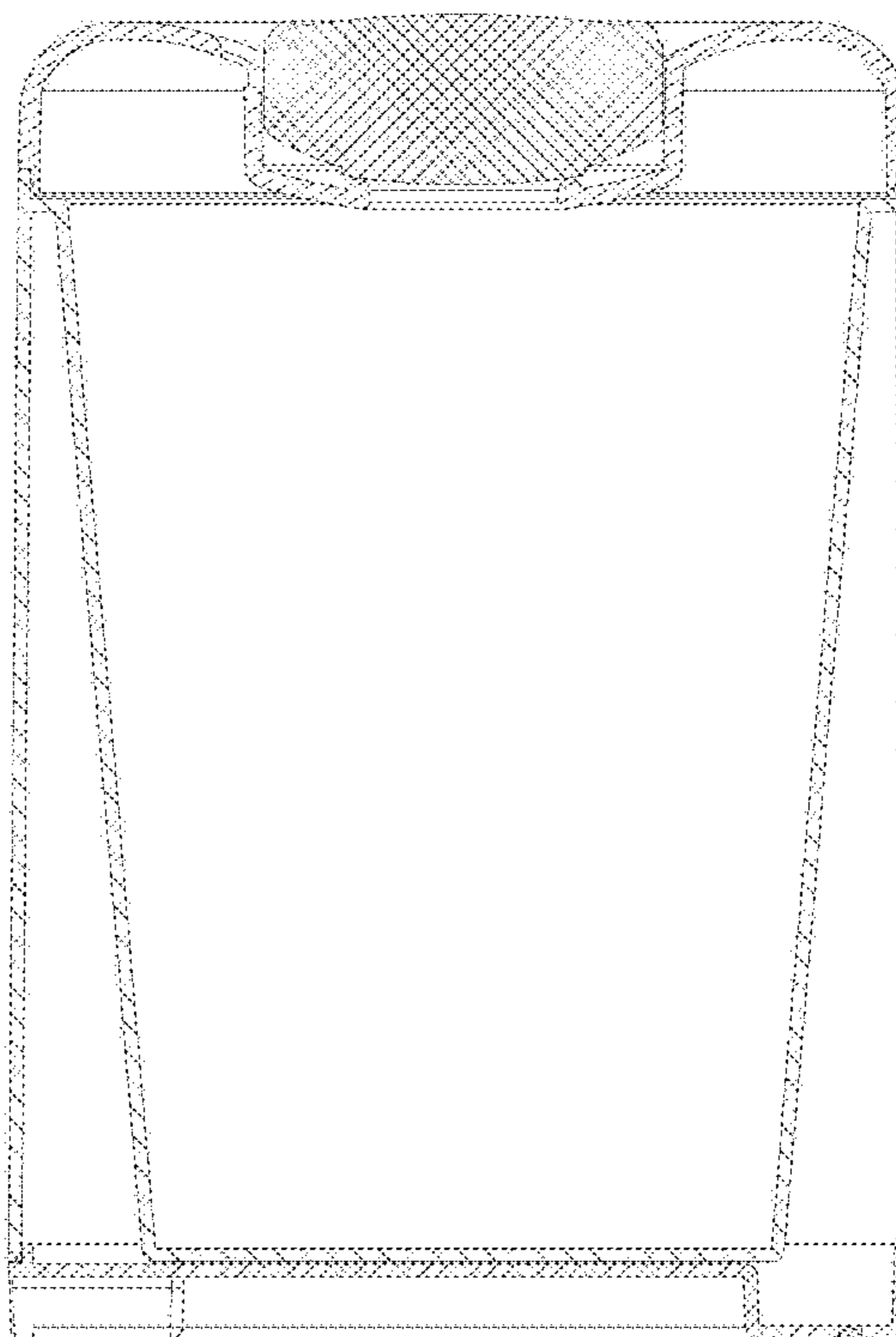
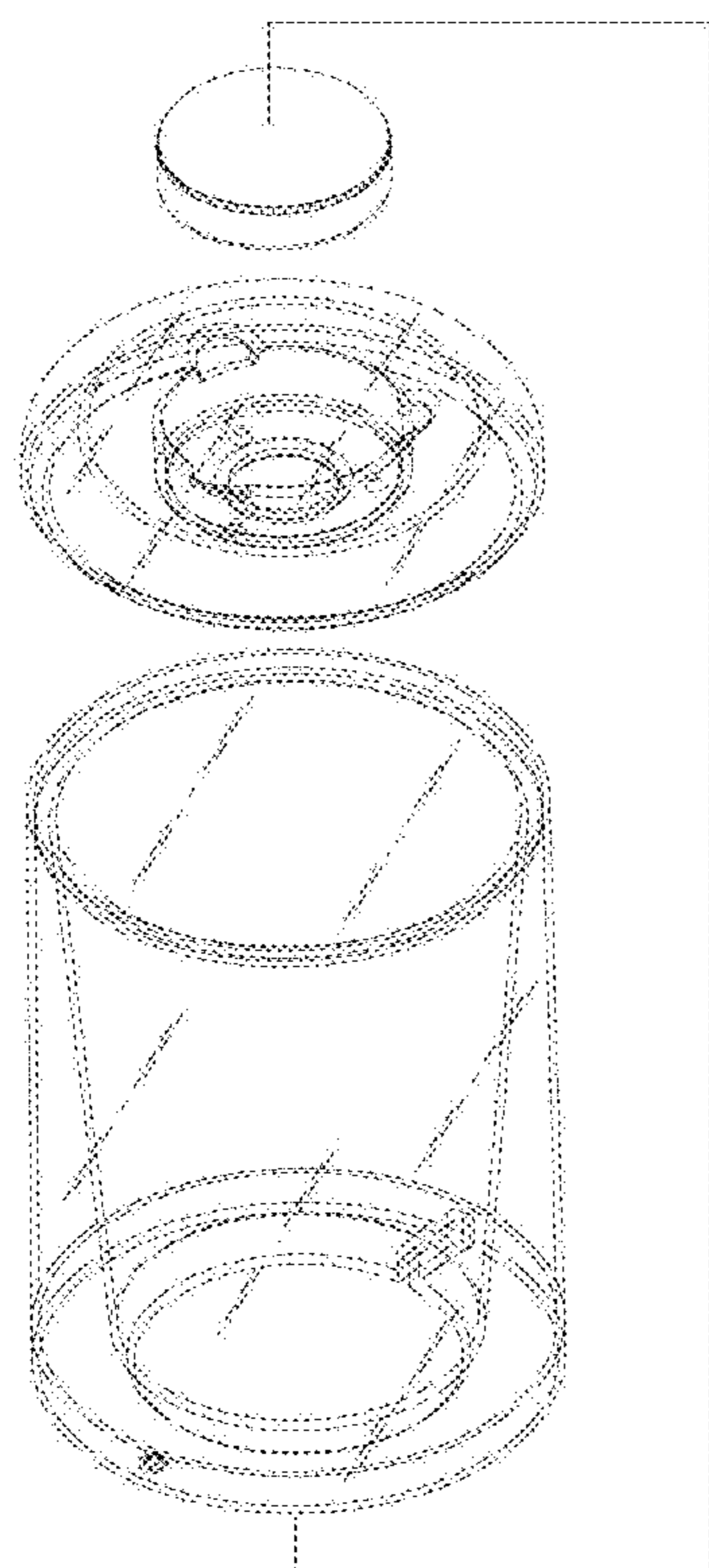
(57) **CLAIM**

The ornamental design for a crystal palace, as shown and described.

DESCRIPTION

FIG. 1 is a reduced exploded perspective view of the crystal palace showing my new design;
FIG. 2 is a perspective view thereof;
FIG. 3 is a cross section view thereof taken along line A-A in FIG. 8;
FIG. 4 is a front plan view thereof;
FIG. 5 is a back plan view thereof;
FIG. 6 is a left plan view thereof;
FIG. 7 is a right plan view thereof; and,
FIG. 8 is a downward plan view thereof.

1 Claim, 8 Drawing Sheets



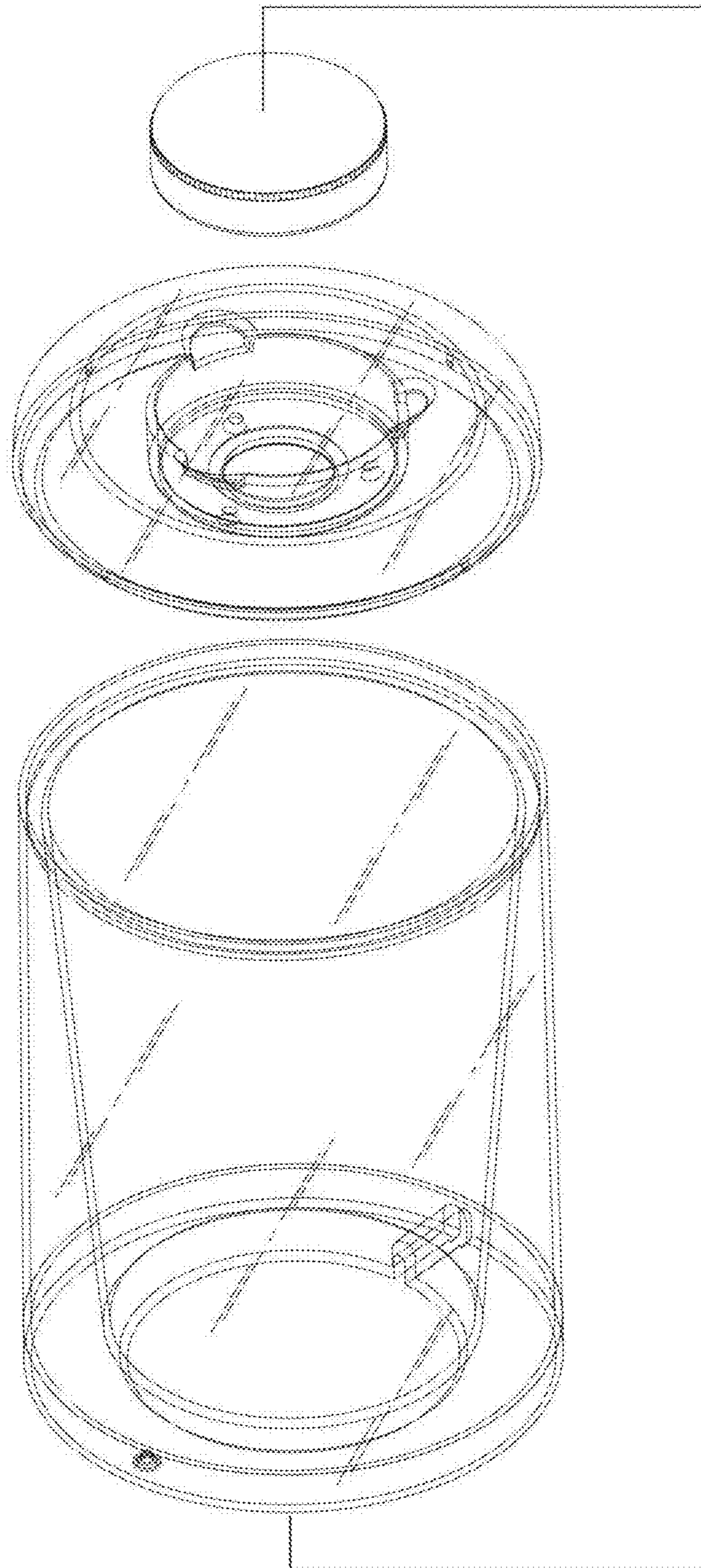


Figure 1

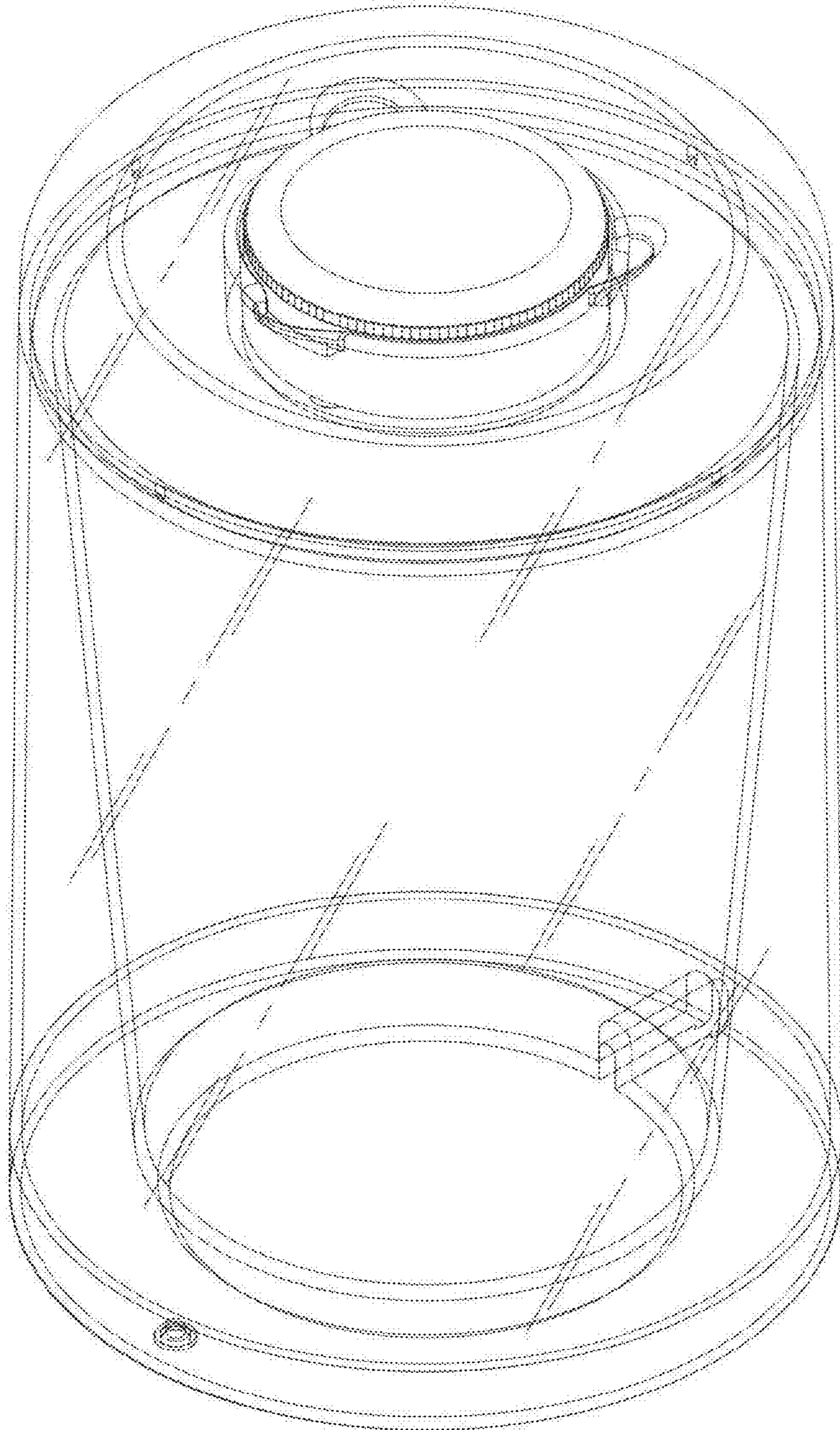


Figure 2

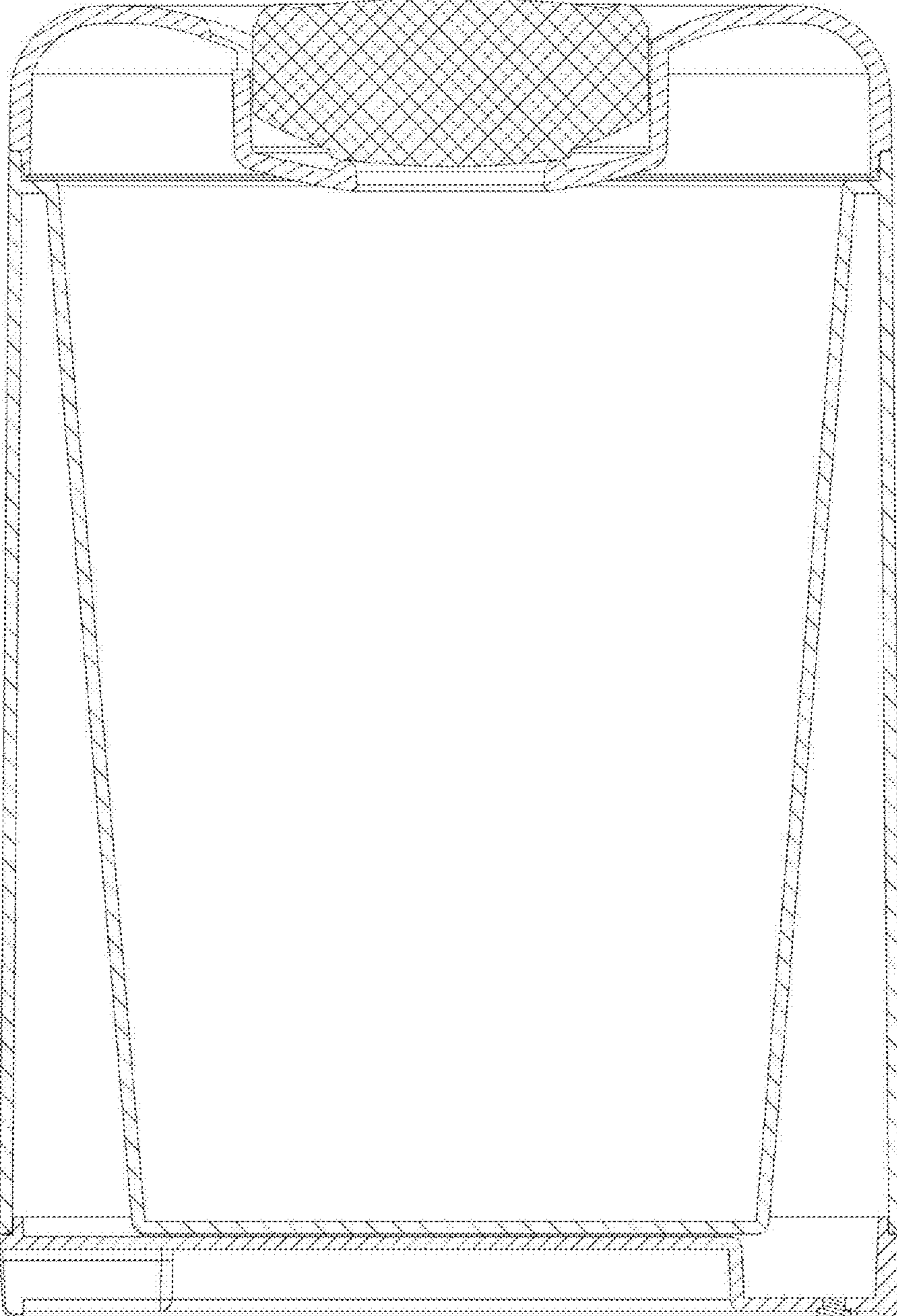


Figure 3

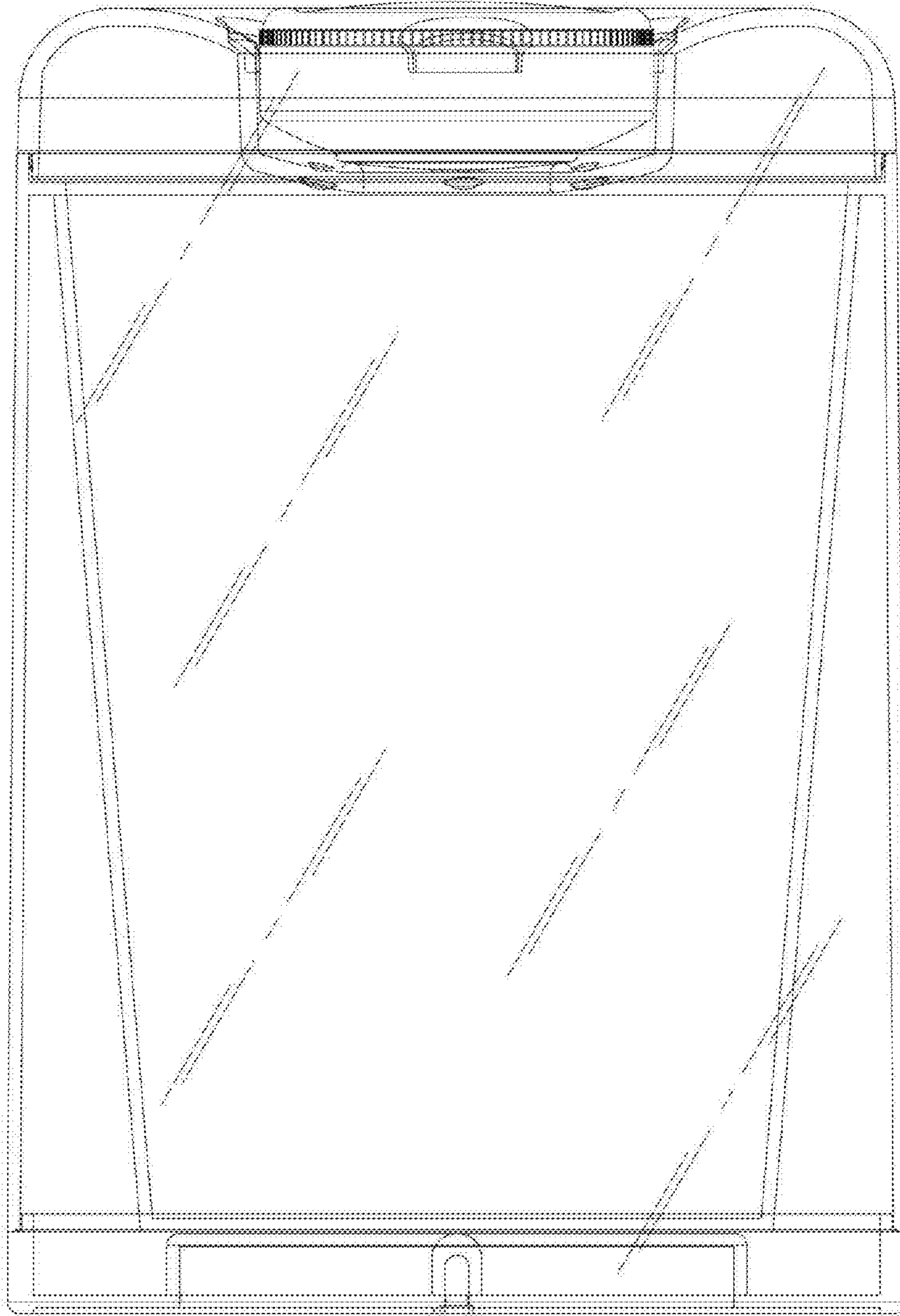


Figure 4

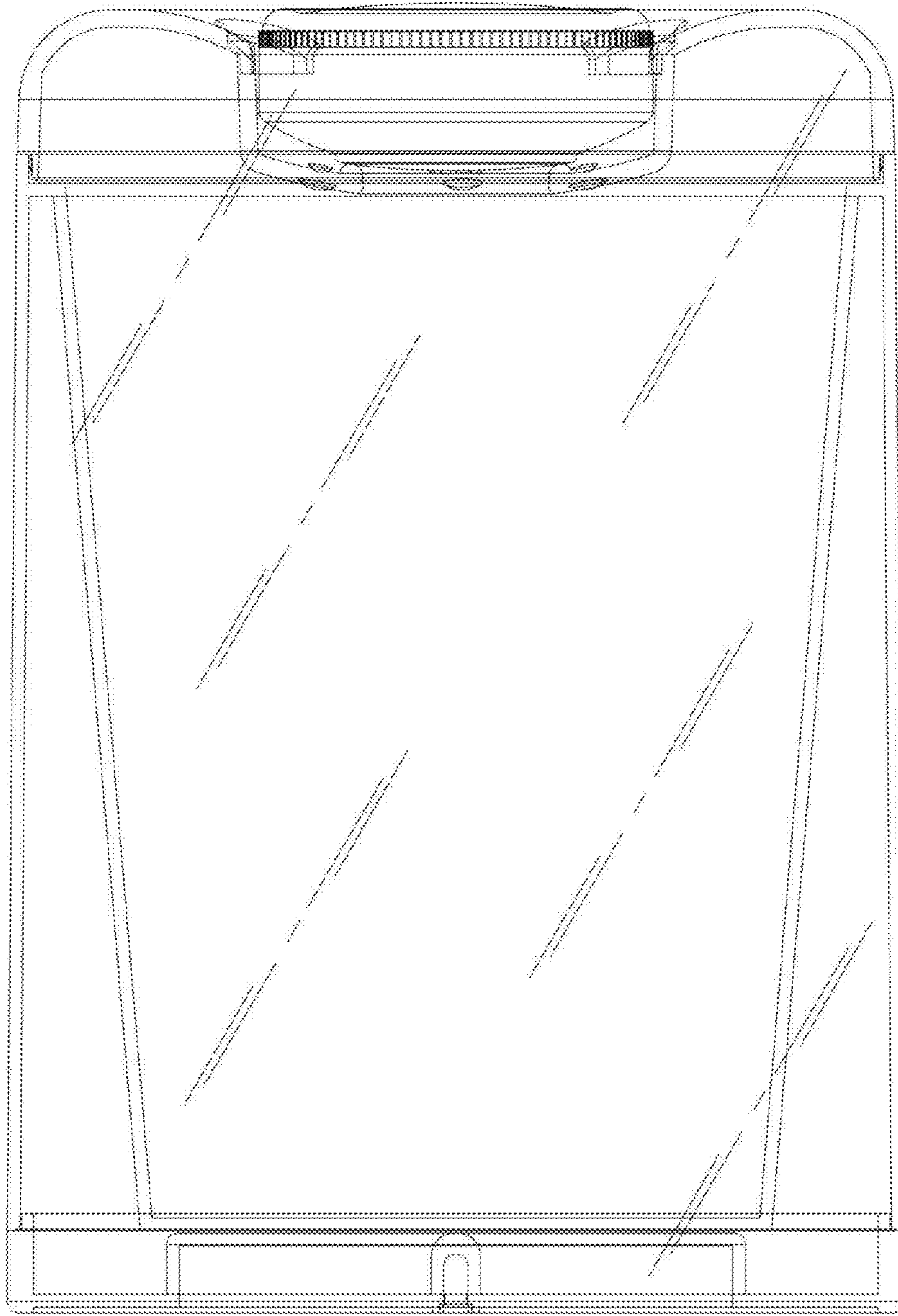


Figure 5

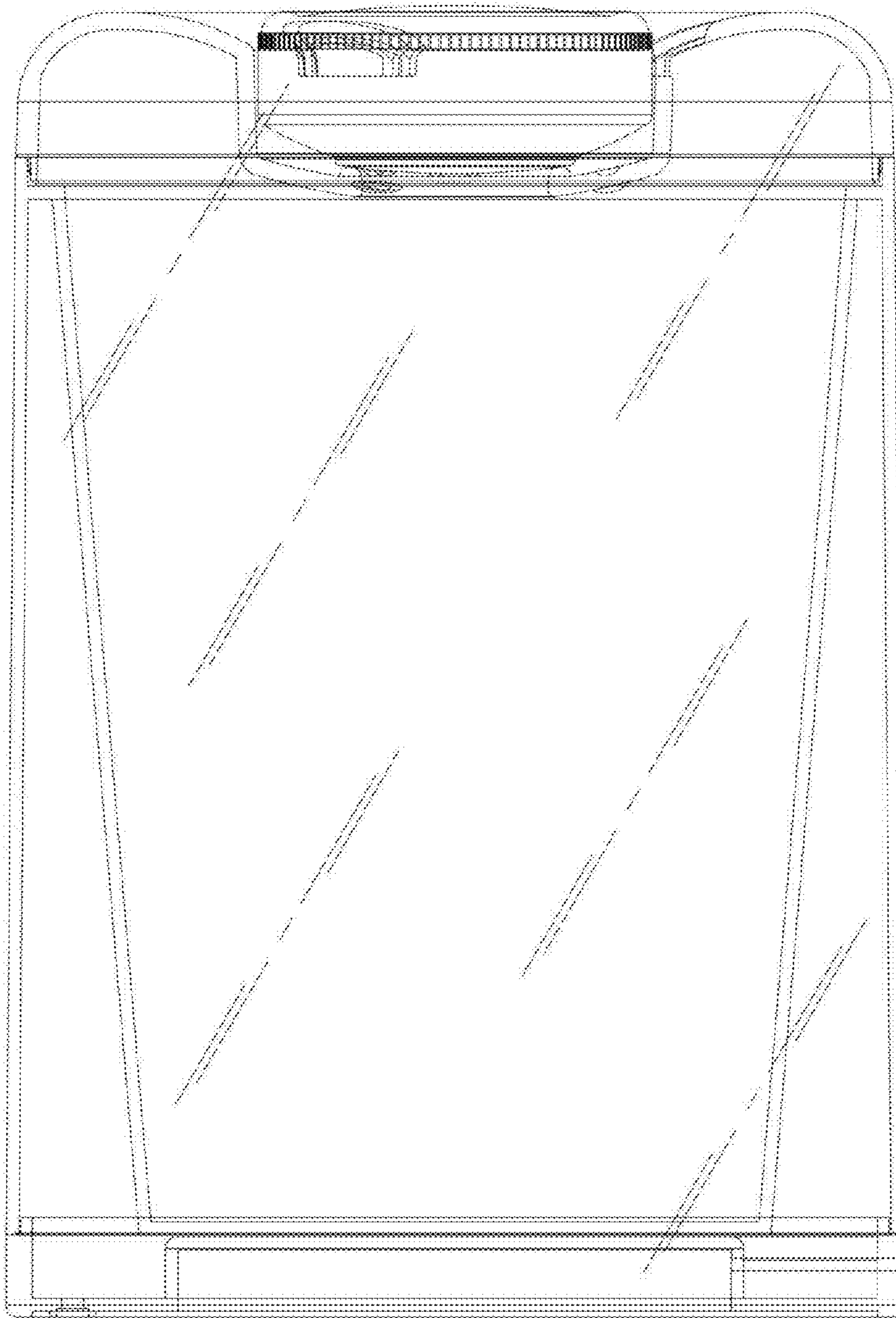


Figure 6

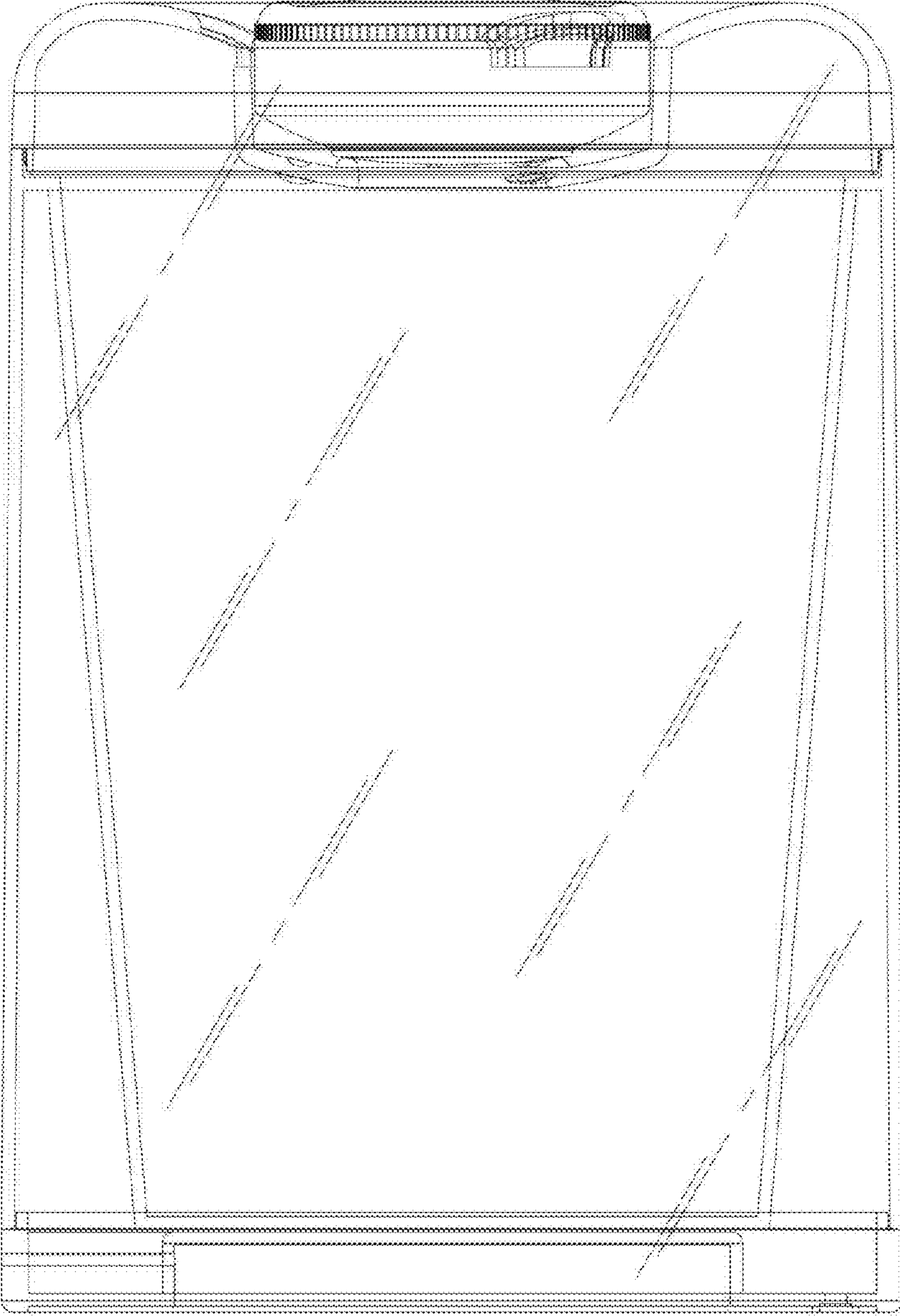


Figure 7

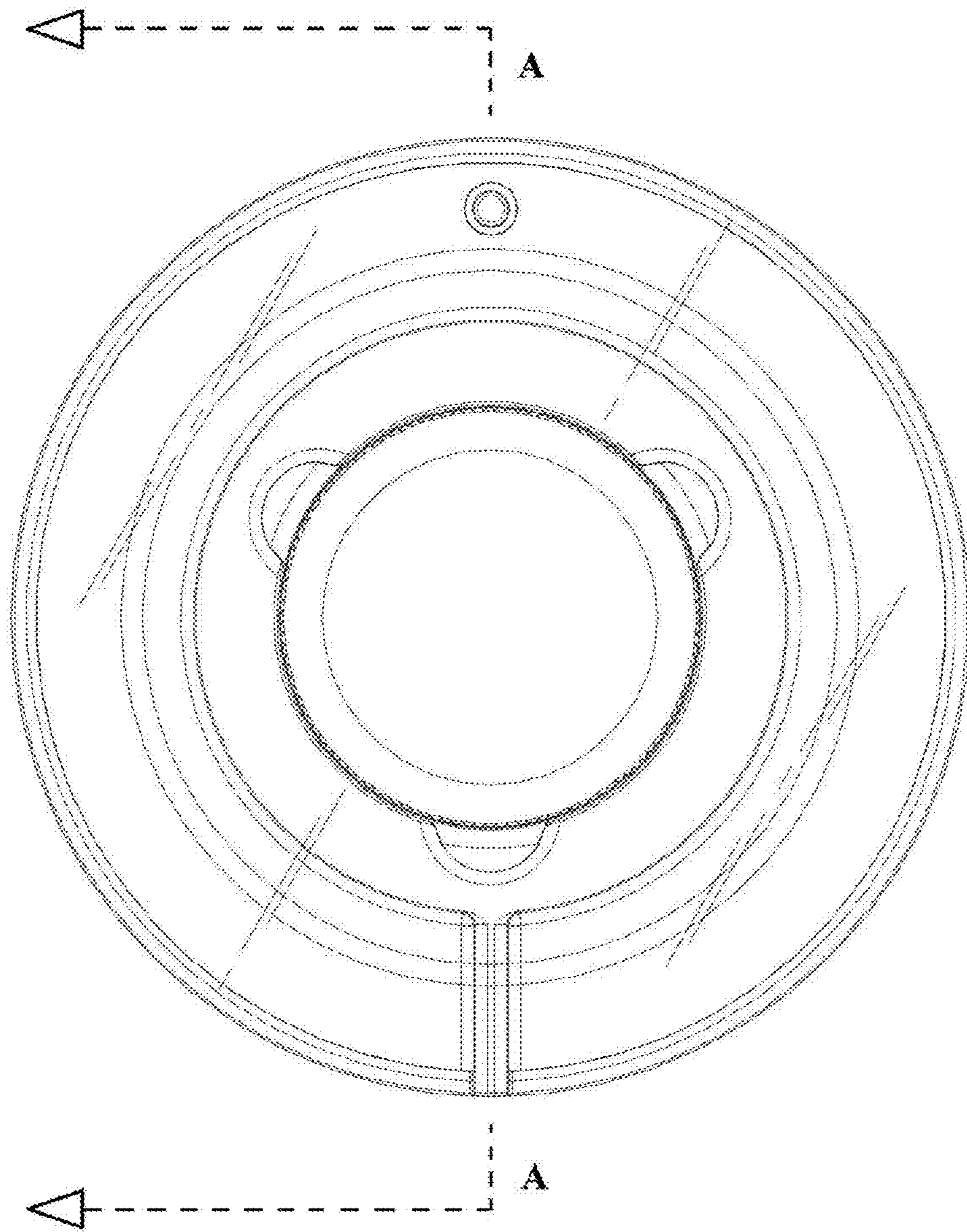


Figure 8