

US00D698498S

(12) **United States Design Patent**
Fleming et al.

(10) **Patent No.:** **US D698,498 S**
(45) **Date of Patent:** **** Jan. 28, 2014**

- (54) **PROTECTIVE FACE MASK**
- (71) Applicants: **Richard James Fleming**, Minster Lovell (GB); **Stephen John Hare**, Minster Lovell (GB)
- (72) Inventors: **Richard James Fleming**, Minster Lovell (GB); **Stephen John Hare**, Minster Lovell (GB)
- (73) Assignees: **JSP Limited**, Minster Lovell, Oxfordshire (GB); **Zao 'Vostok-Service-Spetskomplekt**, Noginsk, Moscow Region (RU)

- (**) Term: **14 Years**
- (21) Appl. No.: **29/437,573**
- (22) Filed: **Nov. 19, 2012**

- (30) **Foreign Application Priority Data**
Aug. 8, 2012 (RU) 2012502758
- (51) **LOC (10) Cl.** **29-02**
- (52) **U.S. Cl.**
USPC **D29/108**
- (58) **Field of Classification Search**
USPC D29/100, 105, 106, 108, 122;
D2/500-504; D24/110.1; 2/455, 456,
2/410, 424, 425, 9, 173, 206, 207, 279,
2/906; 128/857, 858, 201.23, 201.24,
128/206.19, 206.21, 206.24, 206.28
See application file for complete search history.

- (56) **References Cited**
U.S. PATENT DOCUMENTS
D173,067 S * 9/1954 Hagemeyer et al. D29/108
3,132,345 A * 5/1964 Keith 2/9
D229,127 S * 11/1973 Franklin D29/108
5,374,458 A * 12/1994 Burgio 428/36.1

5,558,089	A	*	9/1996	Castiglione	128/206.24
D429,385	S	*	8/2000	Lee et al.	D29/108
D430,361	S	*	8/2000	Smith	D29/108
D434,879	S	*	12/2000	Cole	D29/122
D604,910	S	*	11/2009	Smaller	D29/108
D636,128	S	*	4/2011	Hancock et al.	D29/108
D638,171	S	*	5/2011	Goranov et al.	D29/108
D658,334	S	*	4/2012	Goranov et al.	D29/108
D666,364	S	*	8/2012	Votel et al.	D29/108
D668,395	S	*	10/2012	Smith	D29/108
D670,037	S	*	10/2012	Chen	D29/108
D671,688	S	*	11/2012	Sullivan, II	D29/108
2008/0295843	A1	*	12/2008	Haas	128/205.27
2009/0320849	A1	*	12/2009	Biedermann	128/206.28

OTHER PUBLICATIONS

P297—US Design Patent—Information Disclosure; all designs believed to have been available as of Aug. 8, 2012.

* cited by examiner

Primary Examiner — Elizabeth J Oswecki
(74) *Attorney, Agent, or Firm* — King & Schickli, PLLC

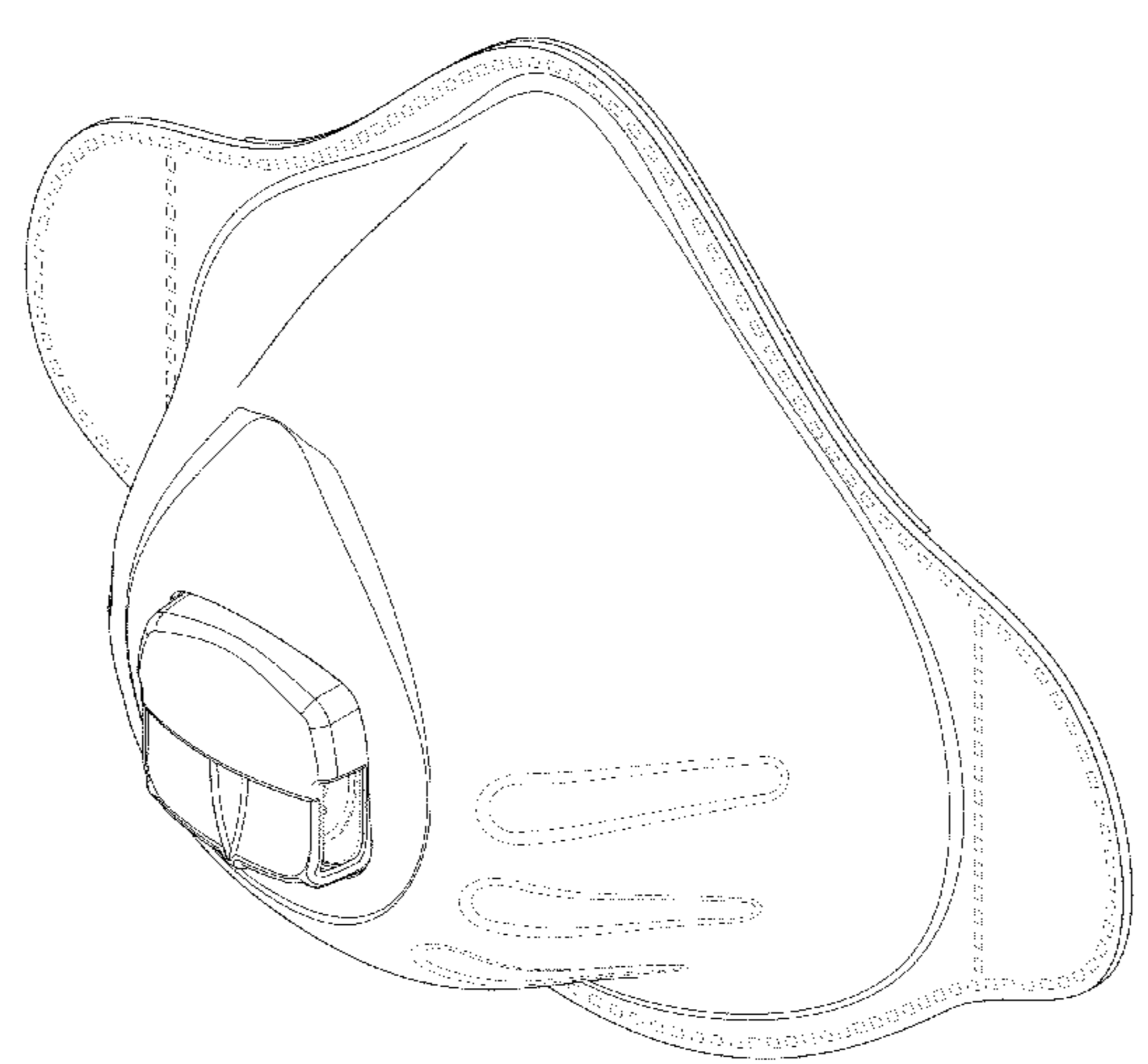
(57) **CLAIM**
The ornamental design for a protective face mask, as shown and described.

DESCRIPTION

FIG. 1 is a perspective view of a protective face mask showing our new design;
 FIG. 2 is a front view of the protective face mask of FIG. 1;
 FIG. 3 is a rear view of the protective face mask of FIG. 1;
 FIG. 4 is a top view of the protective face mask of FIG. 1;
 FIG. 5 is a bottom view of the protective face mask of FIG. 1;
 and,
 FIG. 6 is a right side view of the protective face mask of FIG. 1.

The broken lines shown in the drawings represent portions of the protective face mask that forms no part of the claimed design.
 All surfaces not shown form no part of the claimed design.

1 Claim, 6 Drawing Sheets



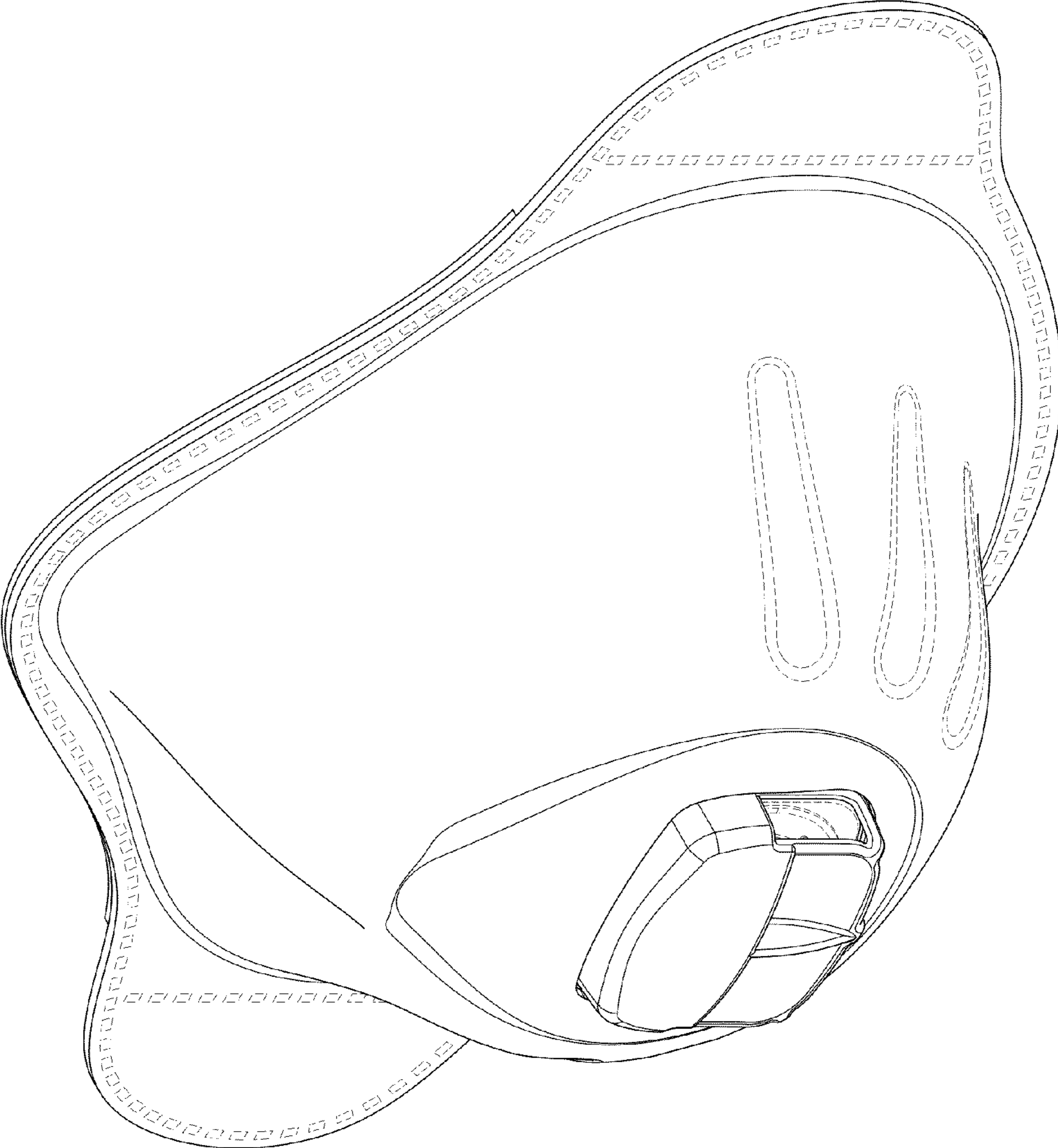


FIG. 1

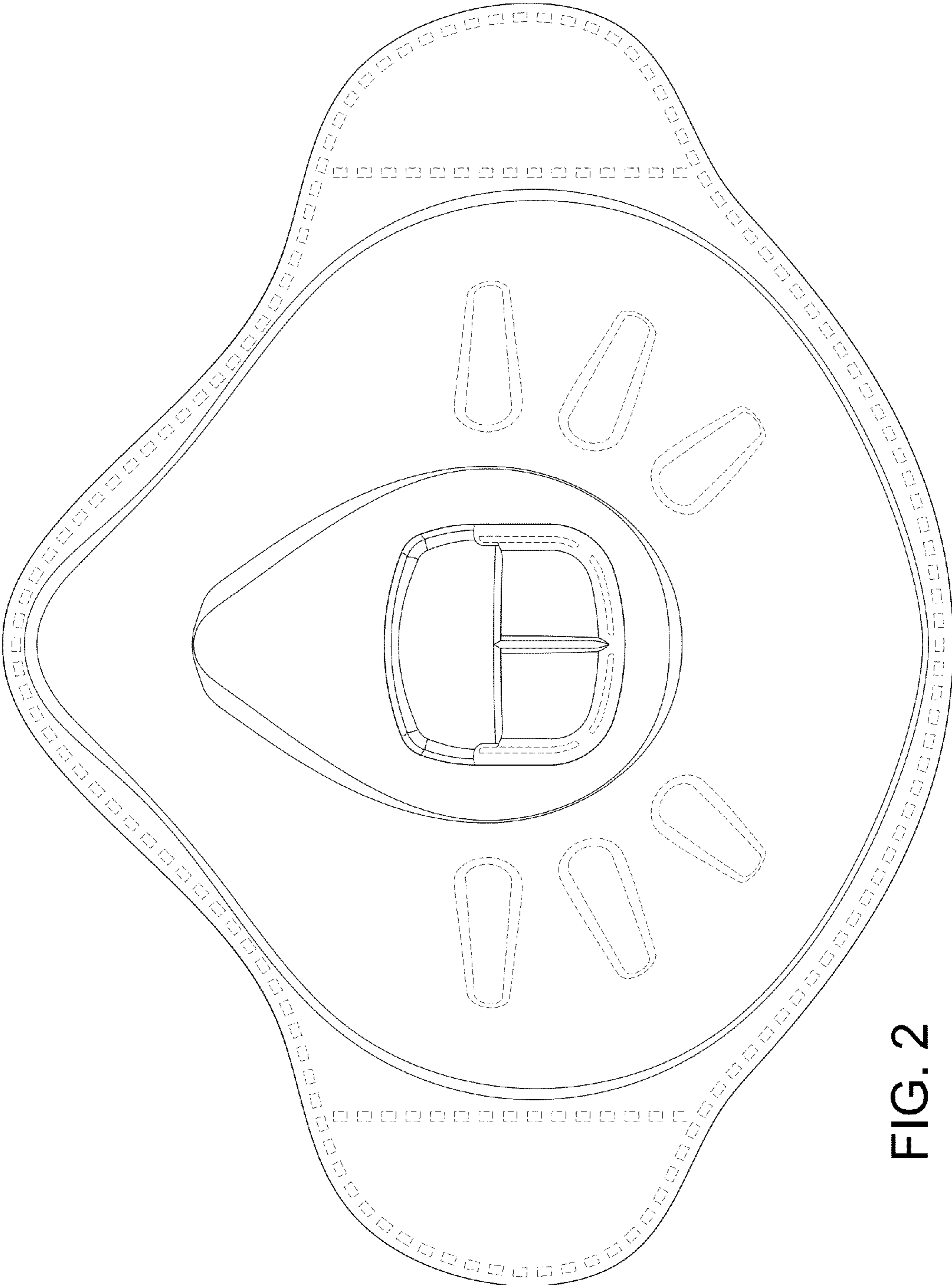


FIG. 2

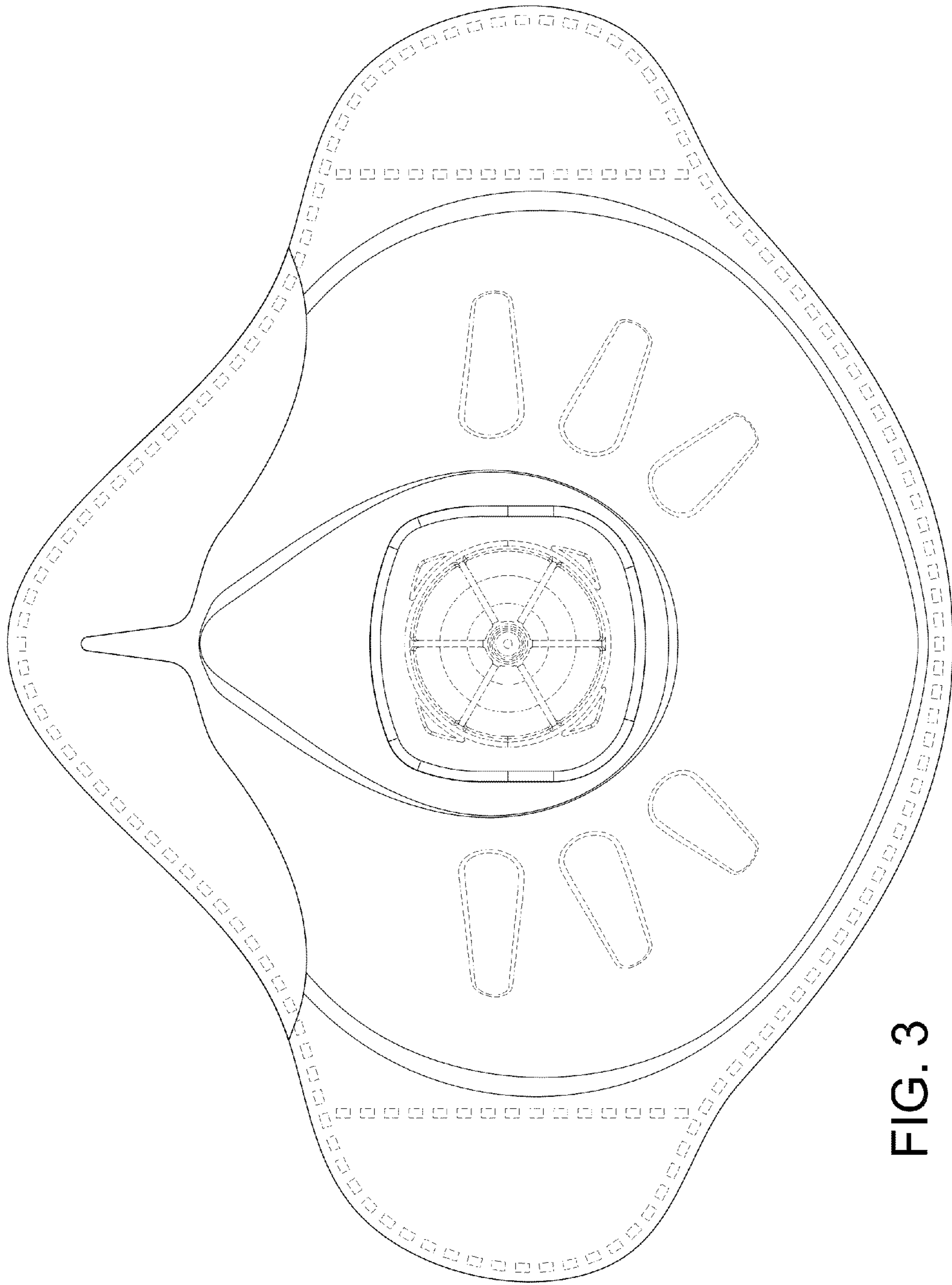


FIG. 3

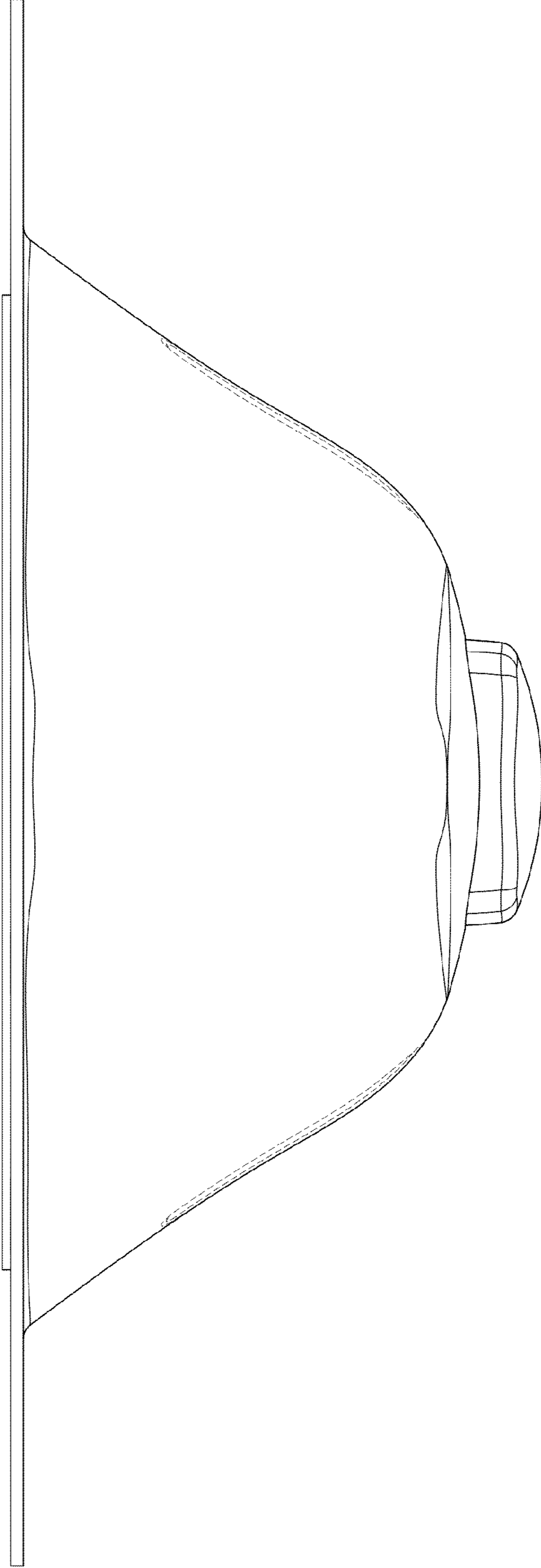


FIG. 4

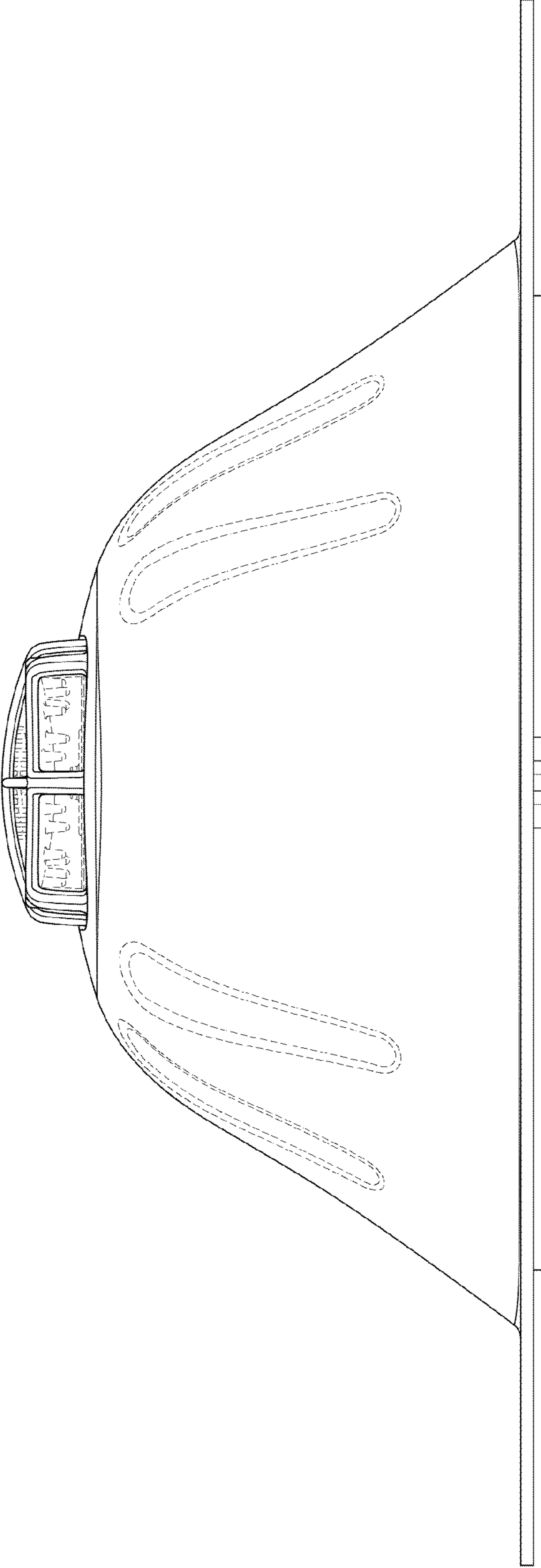


FIG. 5

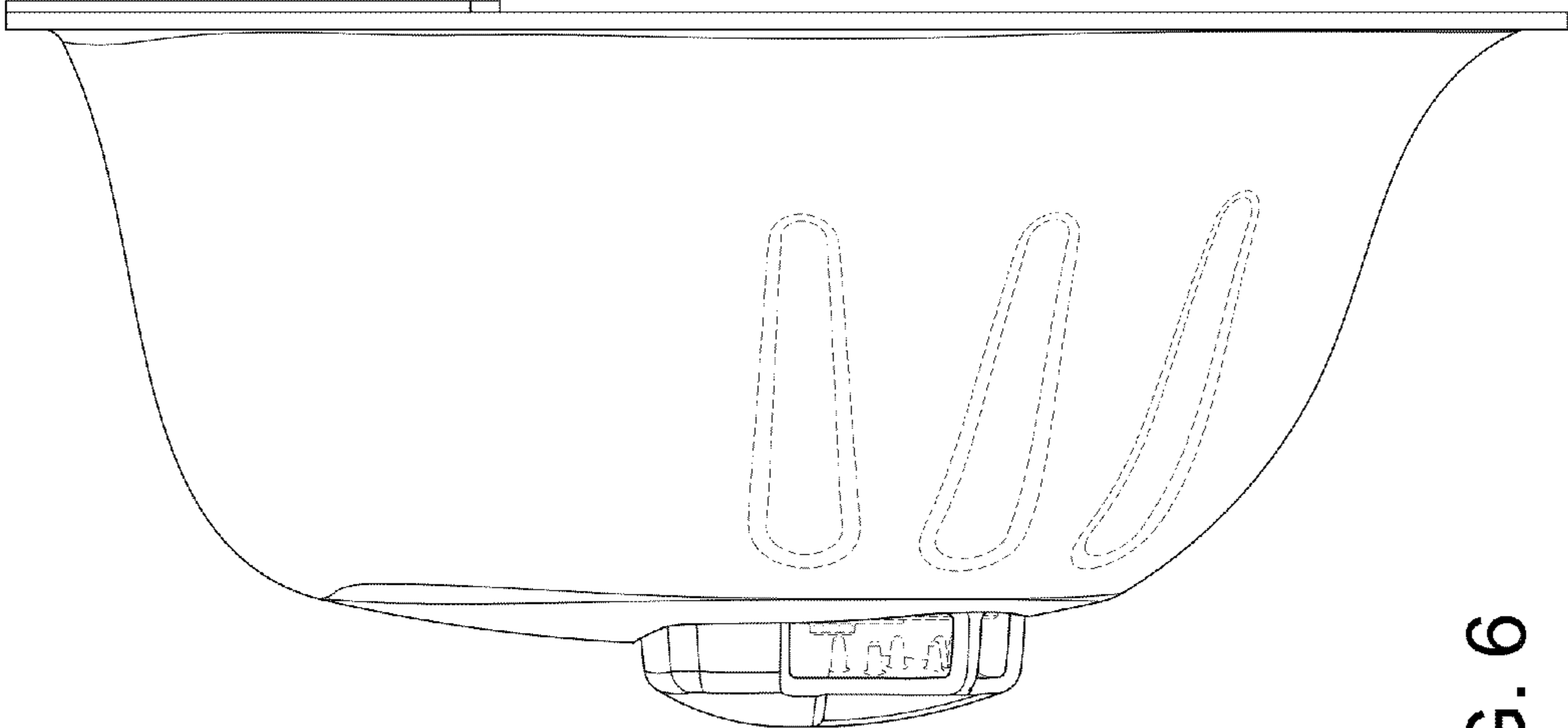


FIG. 6