



US00D698496S

(12) **United States Design Patent**
Smith

(10) **Patent No.:** **US D698,496 S**
(45) **Date of Patent:** **** Jan. 28, 2014**

(54) **LIP BALM TUBE HOLDER**

D655,983 S * 3/2012 Cozzolino et al. D7/510
D658,443 S * 5/2012 Chiu et al. D7/507
D664,001 S * 7/2012 Liu D7/510

(71) Applicant: **Kevin Smith**, Rocky Mount, VA (US)

* cited by examiner

(72) Inventor: **Kevin Smith**, Rocky Mount, VA (US)

Primary Examiner — Jennifer Rivard

(73) Assignee: **Catchpromo LLC**, Dalesville, VA (US)

(74) *Attorney, Agent, or Firm* — Rhodes IP PLC;
Christopher R Rhodes

(**) Term: **14 Years**

(57) **CLAIM**

(21) Appl. No.: **29/434,295**

The ornamental design for a lip balm tube holder, as shown and described.

(22) Filed: **Oct. 11, 2012**

DESCRIPTION

(51) **LOC (10) Cl.** **28-03**

FIG. 1 is an environmental perspective view of the lip balm tube holder showing the new design;

(52) **U.S. Cl.**

FIG. 2 is a side view of the lip balm tube holder showing the new design;

USPC **D28/76; D7/510**

FIG. 3 is a top view of the lip balm tube holder showing the new design;

(58) **Field of Classification Search**

USPC 206/385, 823, 581; D28/76, 85-90, 7;
132/317, 218; 401/68-79, 126-130,
401/202; D7/523-532

FIG. 4 is a bottom view of the lip balm tube holder showing the new design; and,

See application file for complete search history.

FIG. 5 is another perspective view of the lip balm tube holder showing the new design.

(56) **References Cited**

The broken lines immediately adjacent the shading lines in

U.S. PATENT DOCUMENTS

D438,298 S * 2/2001 McNutt D23/367
D590,662 S * 4/2009 Cheng D7/511
D621,659 S * 8/2010 Liu D7/510
D623,474 S * 9/2010 Carlson et al. D7/510

FIGS. 1, 3 and 5 represent the bounds of the claim. The

broken lines in FIG. 4 illustrate portions of the article. The

broken line disclosure of the lip balm and circular holder in

FIGS. 1 and 5 represents the environment of the article. None

of the broken lines forms part of the claimed design.

1 Claim, 3 Drawing Sheets

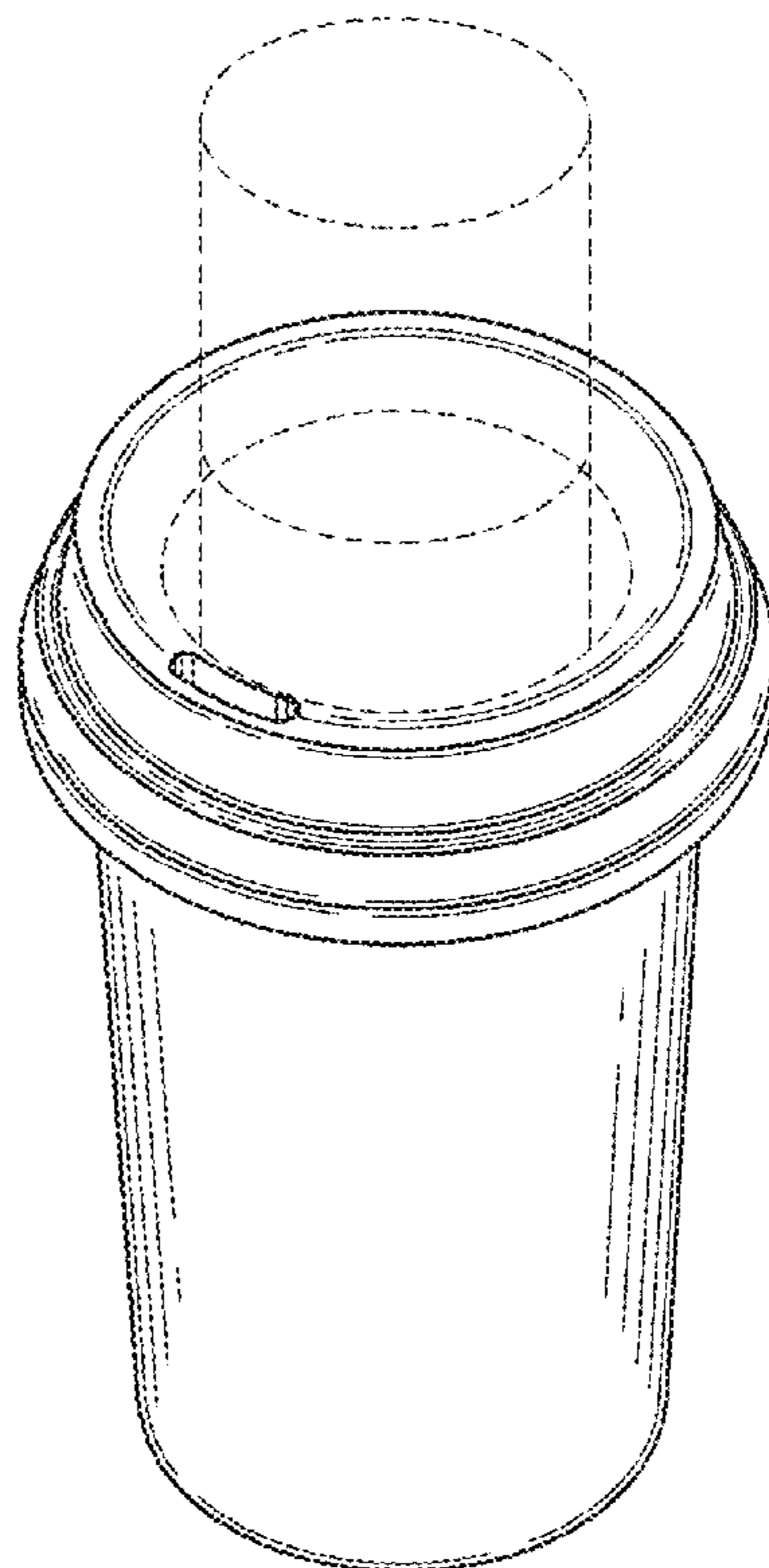


FIG. 1

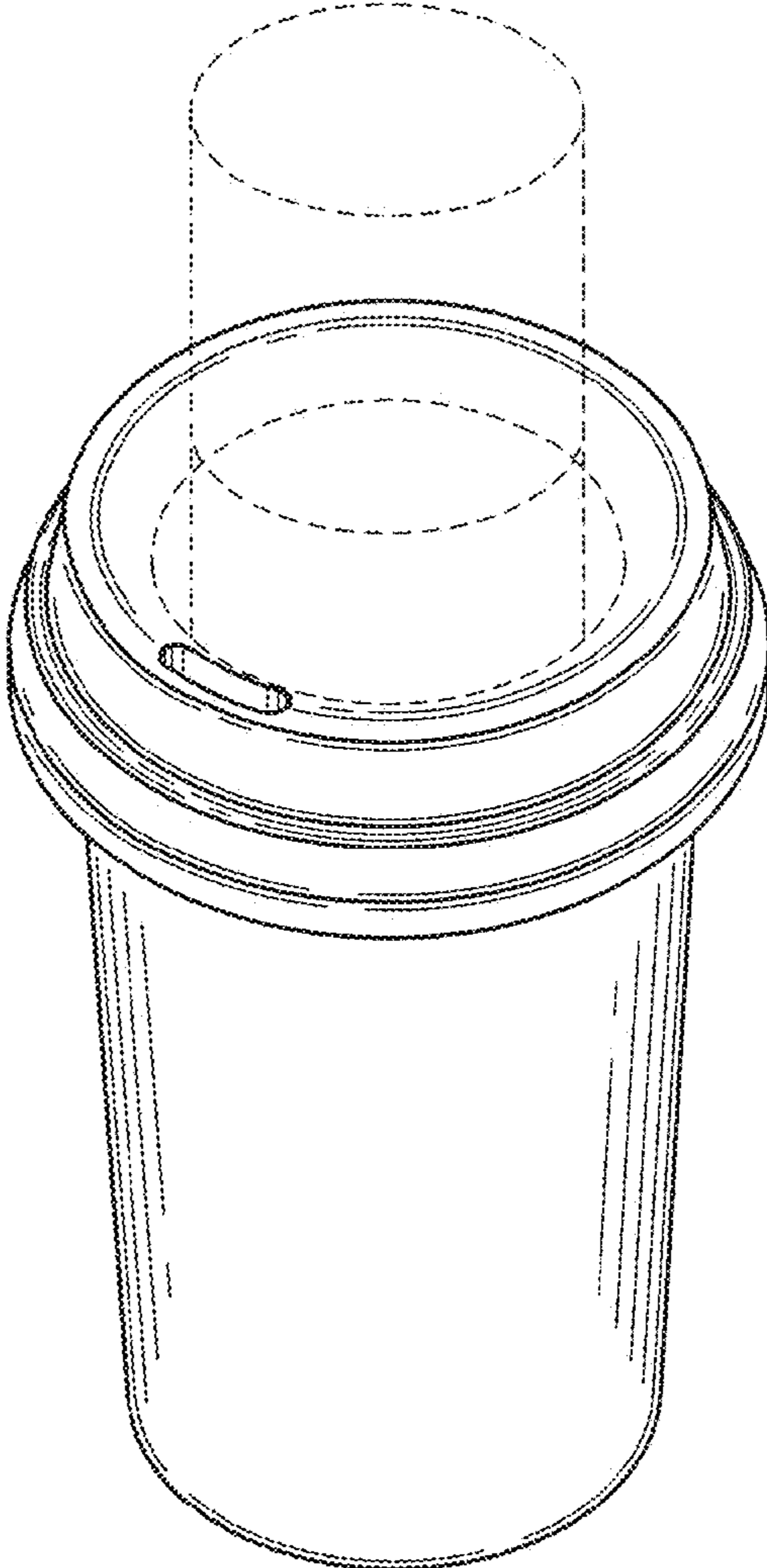


FIG. 2

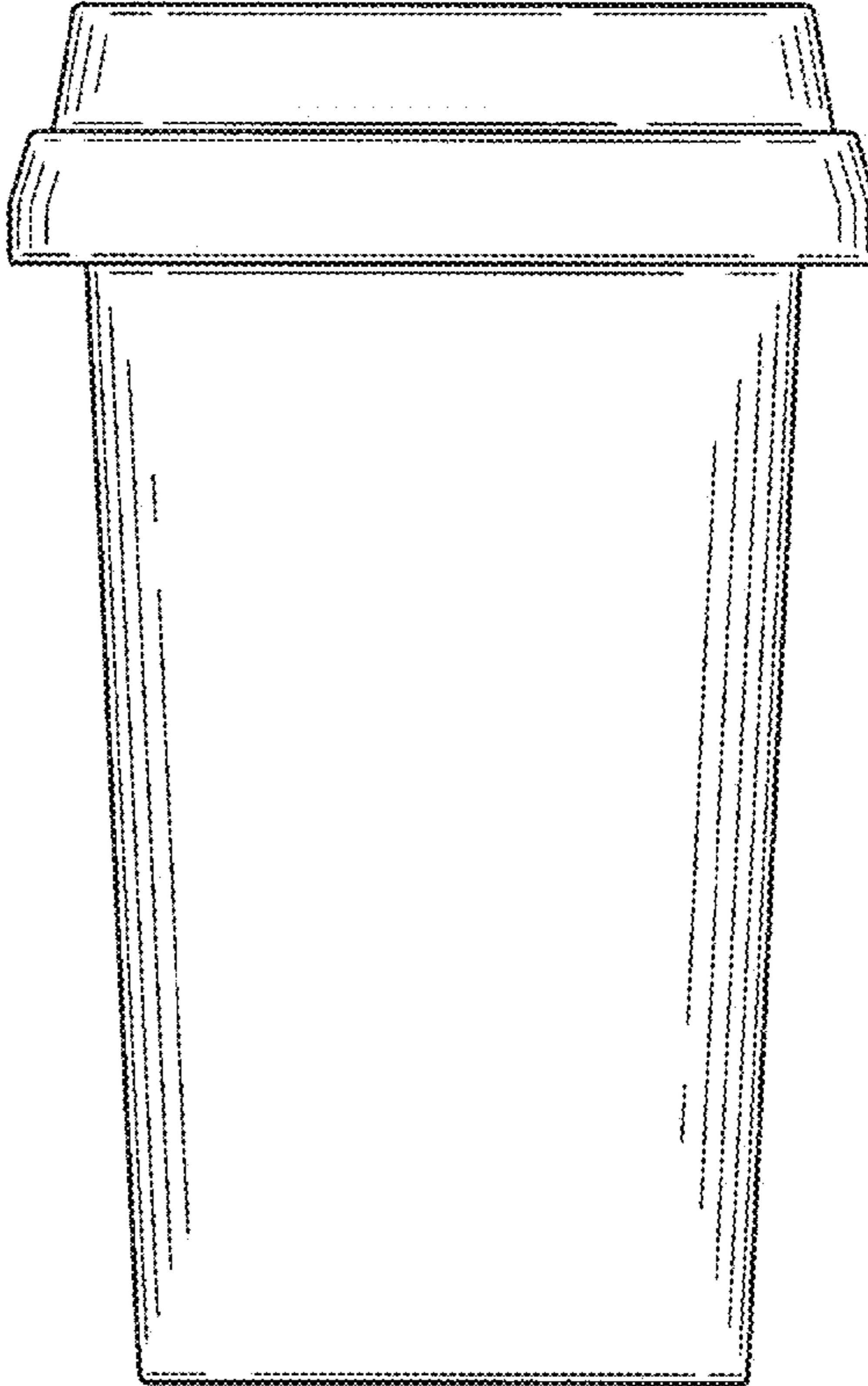


FIG. 3

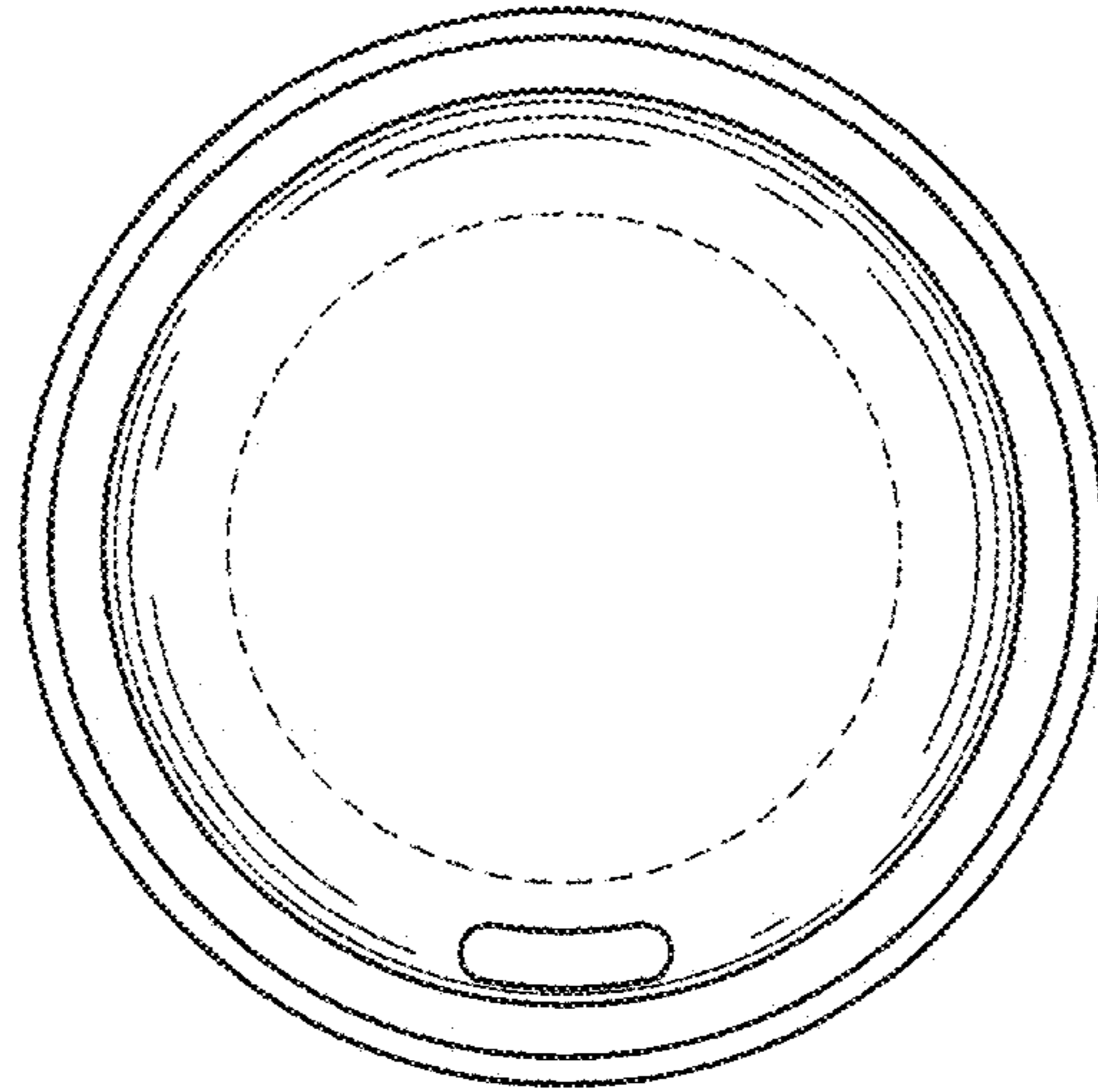


FIG. 4

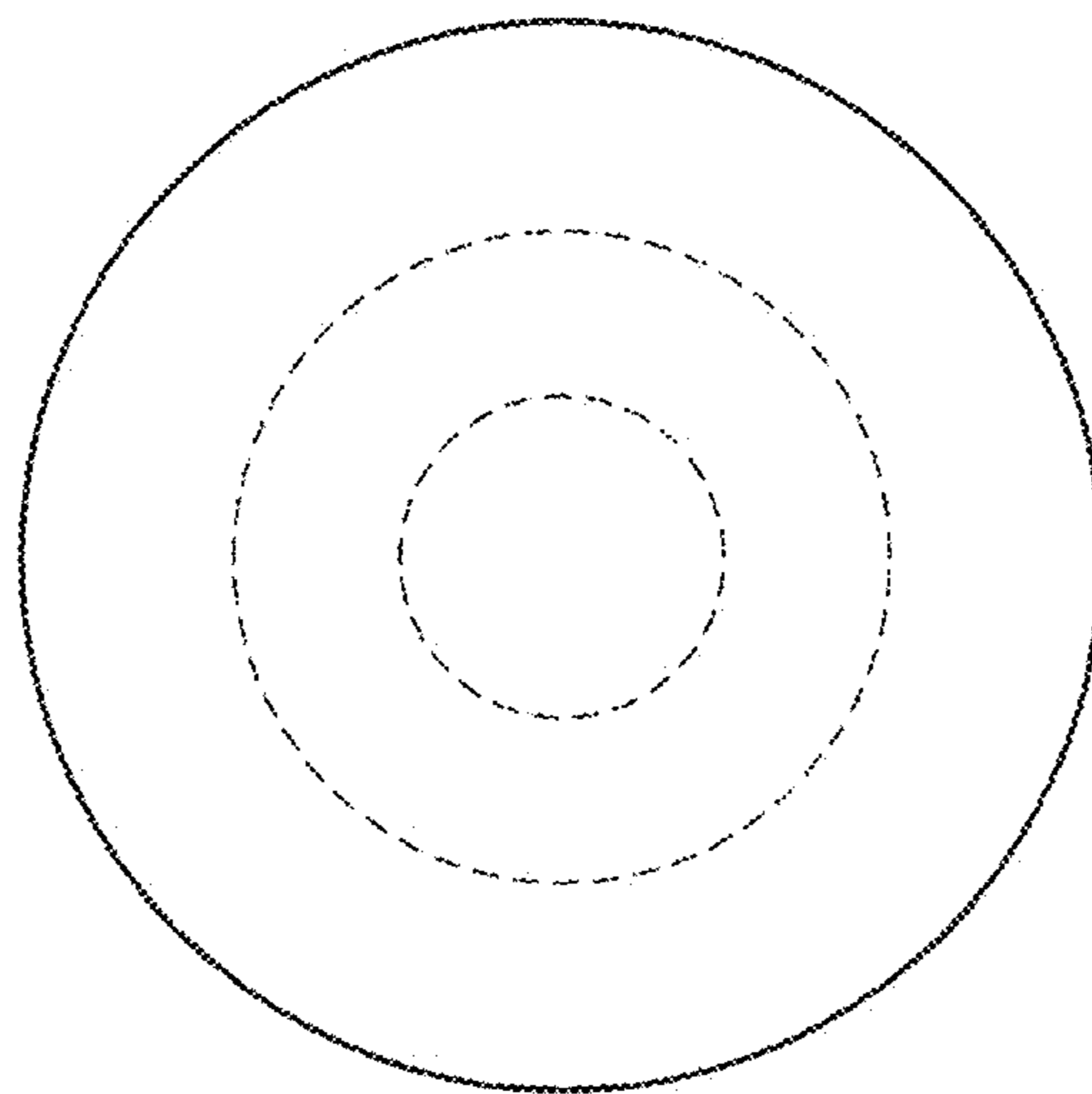


FIG. 5

