



US00D698495S

(12) **United States Design Patent**
Lee

(10) **Patent No.:** **US D698,495 S**
(45) **Date of Patent:** **** Jan. 28, 2014**

(54) **NAIL DRYER**

(71) Applicant: **Withus Inc. Korea Co., Ltd.**, Seoul
(KR)

(72) Inventor: **Kwangkwon Lee**, Chungcheongnam-do
(KR)

(73) Assignee: **Withus Inc Korea Co., Ltd.**, Seoul
(KR)

(**) Term: **14 Years**

(21) Appl. No.: **29/443,510**

(22) Filed: **Jan. 18, 2013**

(30) **Foreign Application Priority Data**

Jul. 19, 2012 (KR) 30-2012-0035178

(51) **LOC (10) Cl.** **28-03**

(52) **U.S. Cl.**
USPC **D28/58**; D28/54.1

(58) **Field of Classification Search**
USPC D28/54.1, 56-58; 250/492.1,
250/504 R-504 H; D24/210; 34/275, 202,
34/90; 132/73-76.5

See application file for complete search history.

(56) **References Cited**

U.S. PATENT DOCUMENTS

D279,412 S 6/1985 Fung
D450,389 S * 11/2001 Chang D24/210
D489,489 S * 5/2004 Khalaj D28/54.1

D587,850 S 3/2009 Kato et al.
D592,806 S 5/2009 Kato et al.
D597,706 S 8/2009 Kato et al.
D601,302 S * 9/2009 Chang D28/54.1
D604,458 S 11/2009 Kato et al.
D637,350 S 5/2011 Kato et al.
D664,299 S 7/2012 Ishida
D680,272 S * 4/2013 Cheng D28/54.1
2010/0293805 A1 * 11/2010 Chang 132/73.5

OTHER PUBLICATIONS

U.S. Appl. No. 29/443,512, filed Jan. 18, 2013.

* cited by examiner

Primary Examiner — Jennifer Rivard

(74) *Attorney, Agent, or Firm* — Lando & Anastasi, LLP

(57) **CLAIM**

The ornamental design for a nail dryer, as shown and described.

DESCRIPTION

FIG. 1 is a perspective view of the nail dryer according to our new design;

FIG. 2 is a front view thereof;

FIG. 3 is a rear view thereof;

FIG. 4 is a side view as seen from the left side in FIG. 2;

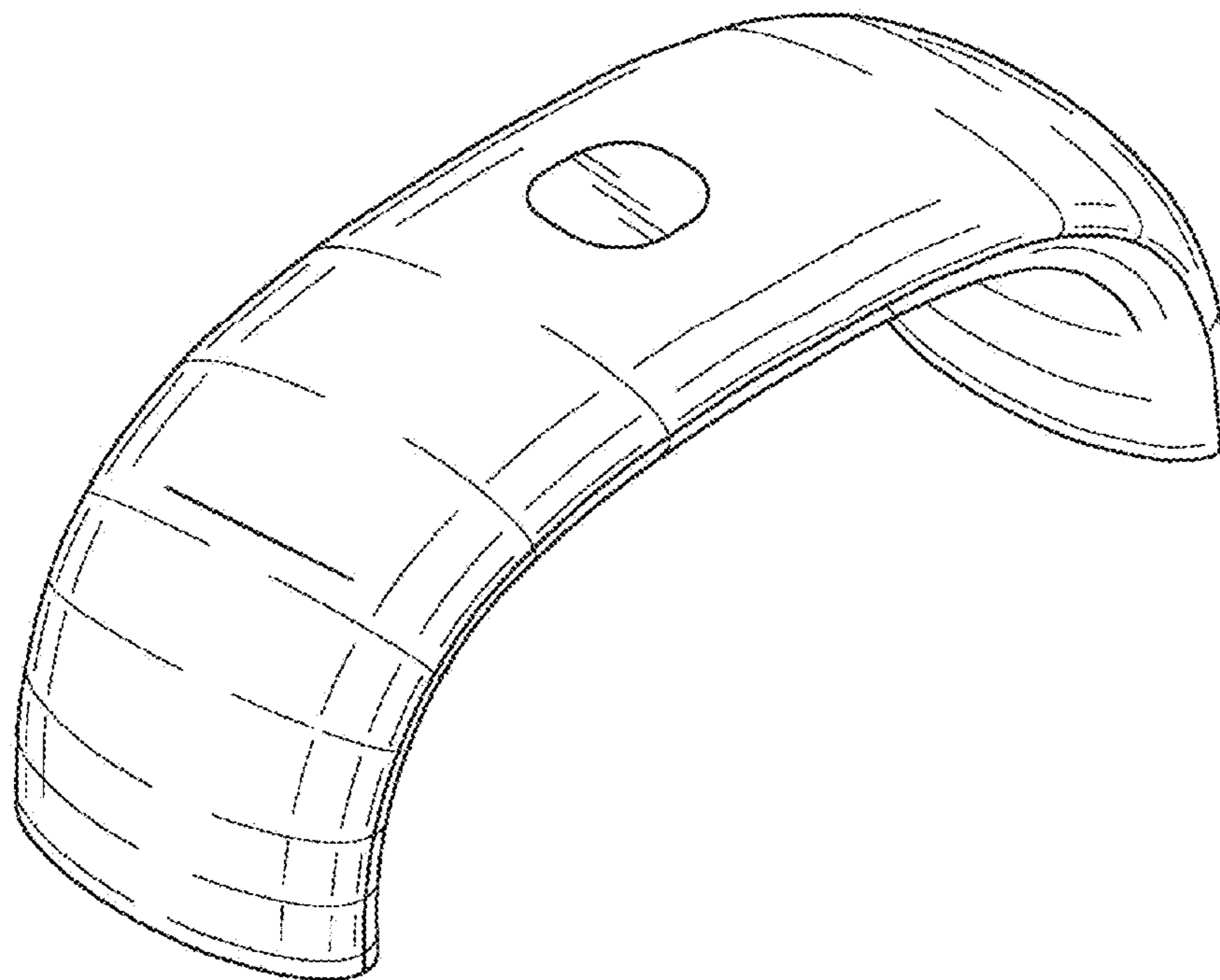
FIG. 5 is a side view as seen from the right side in FIG. 2;

FIG. 6 is a top view thereof; and,

FIG. 7 is a bottom view thereof.

The broken lines in FIG. 7 are included for the purpose of illustrating a portion of the nail dryer and form no part of the claimed design.

1 Claim, 7 Drawing Sheets



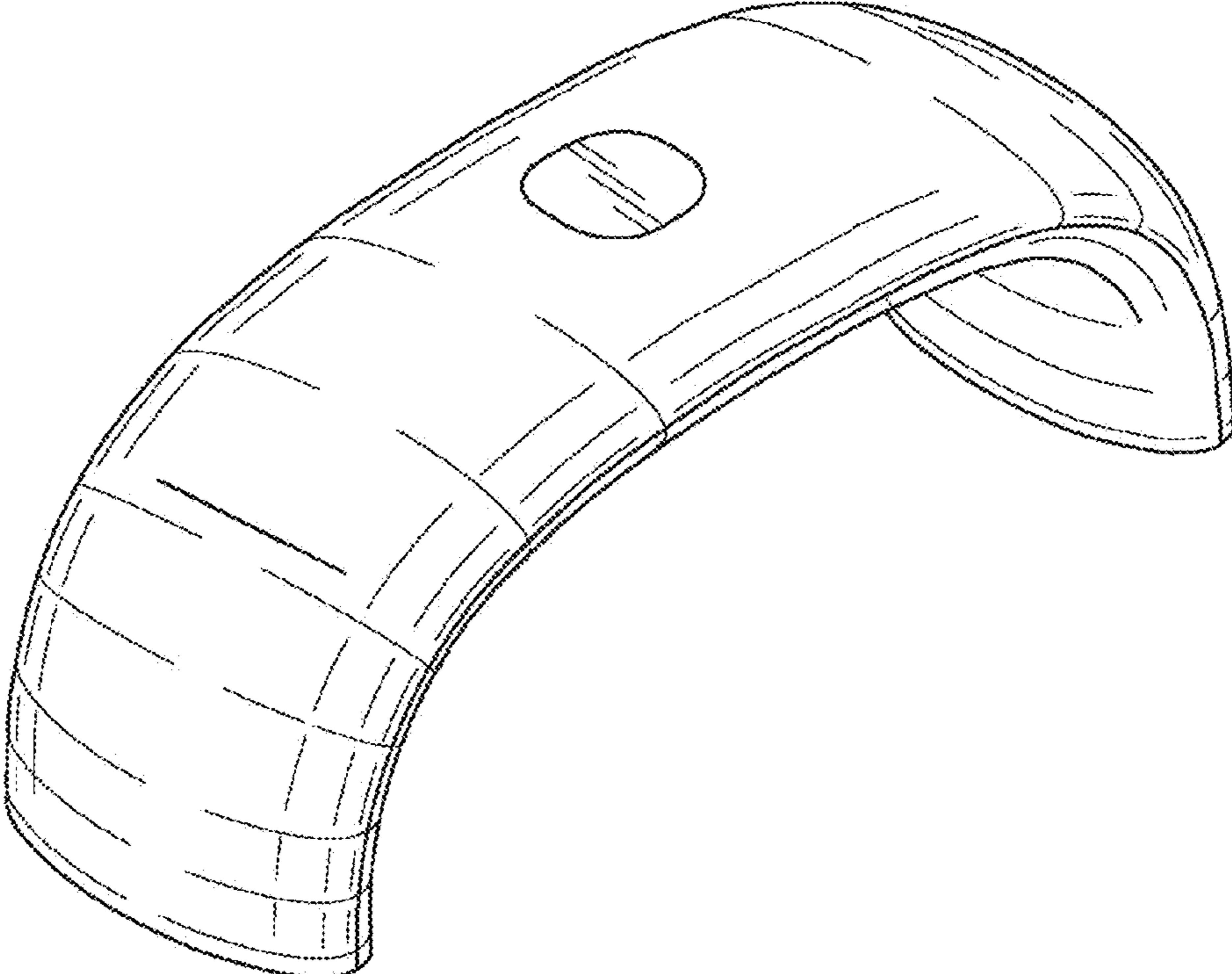


FIG. 1

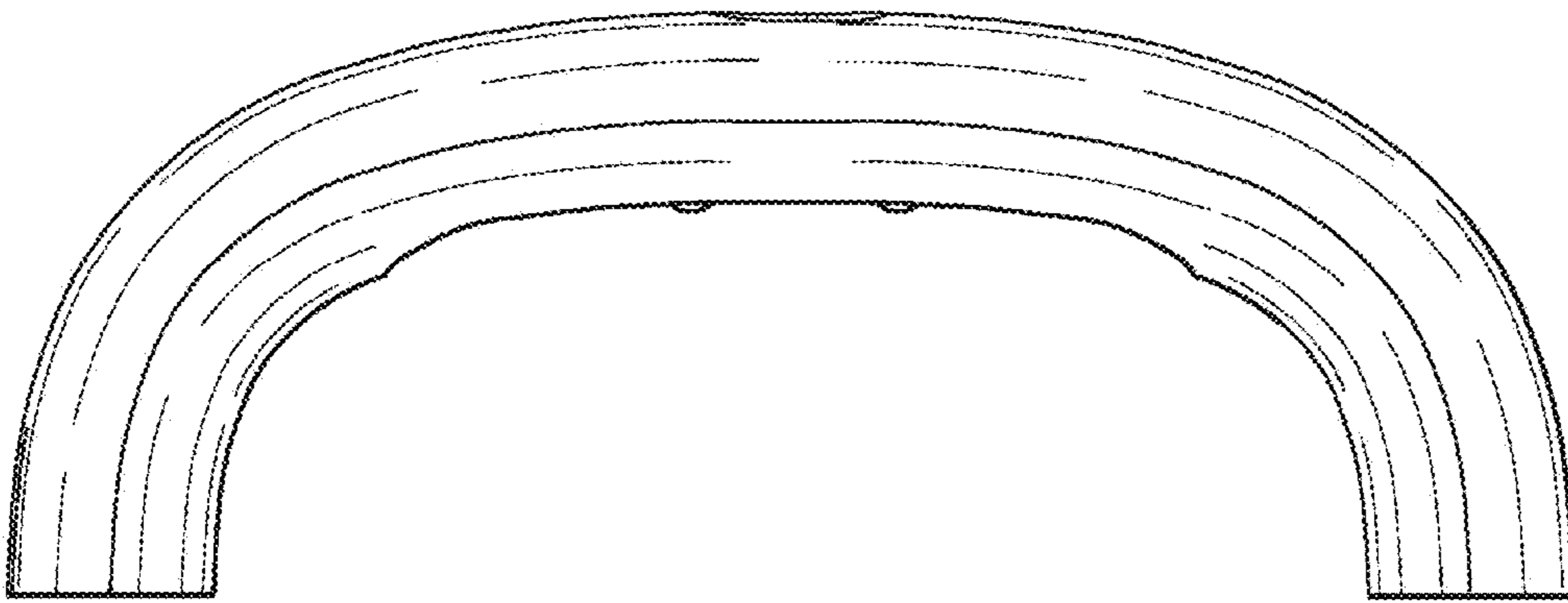


FIG. 2

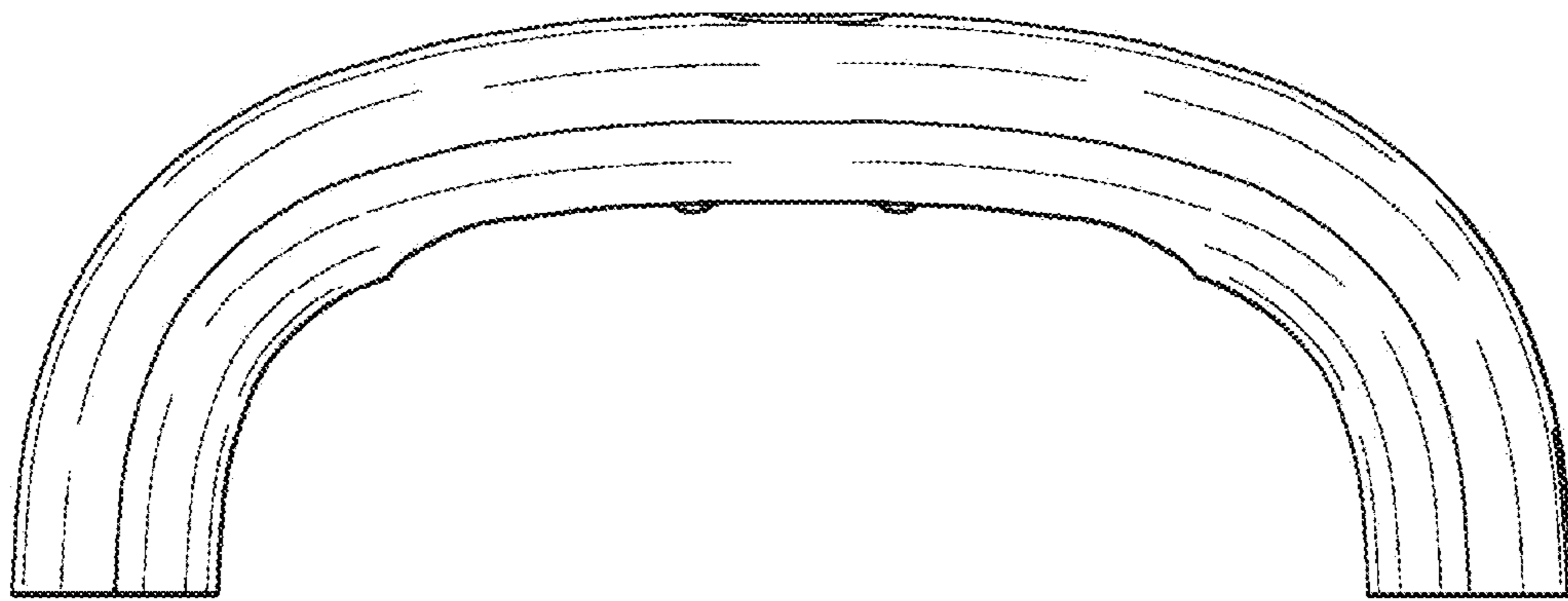


FIG. 3

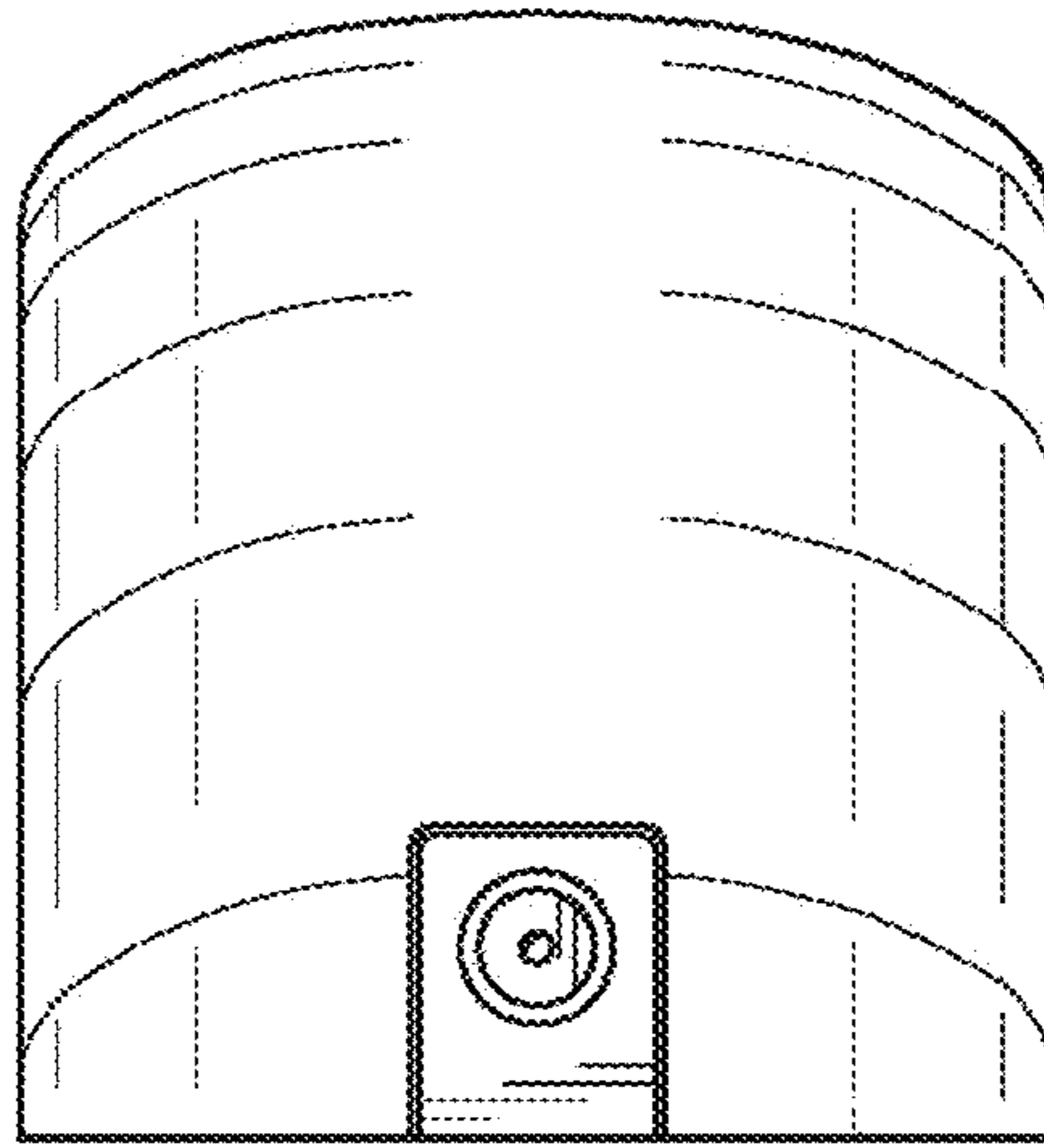


FIG. 4

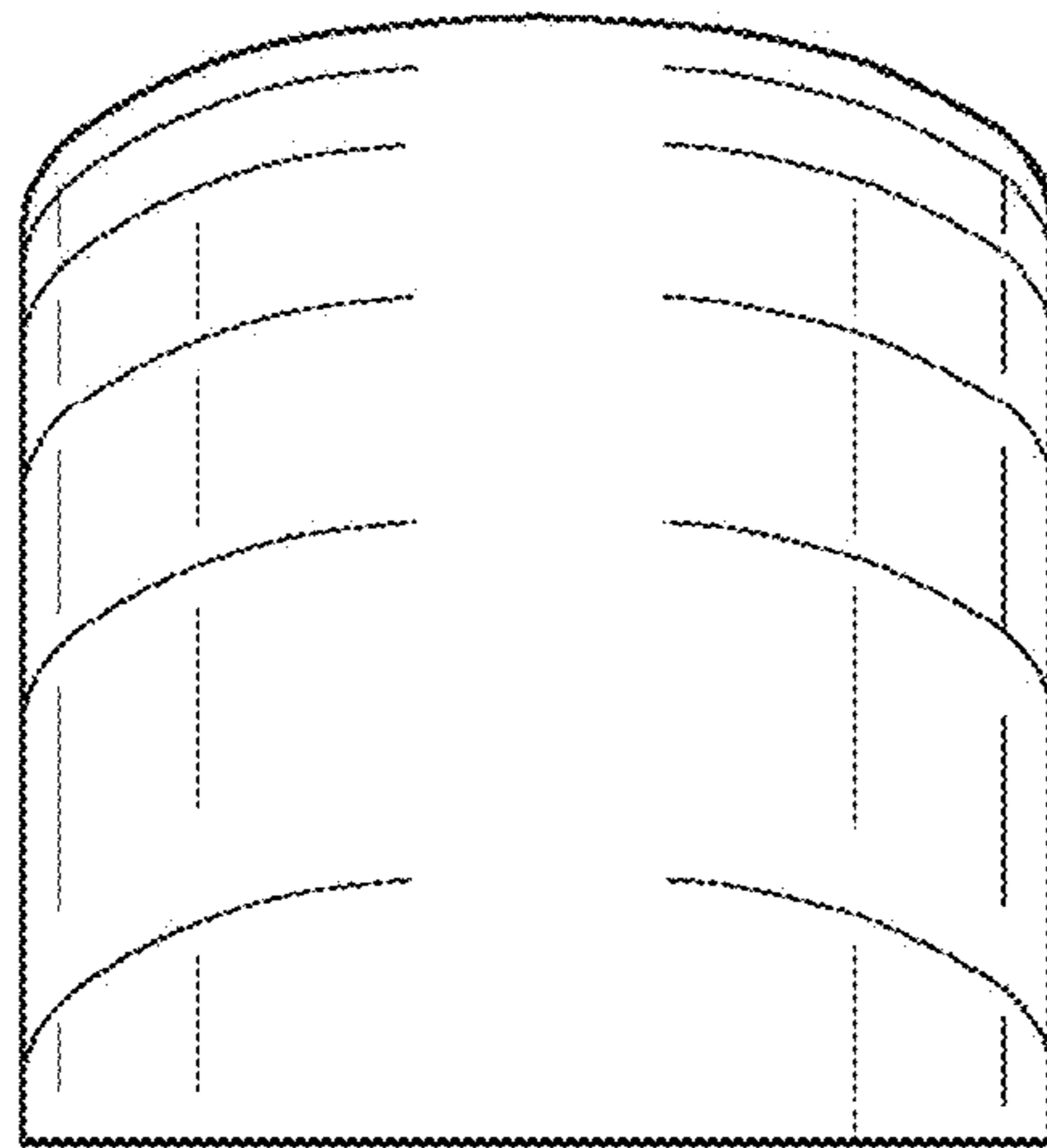


FIG. 5

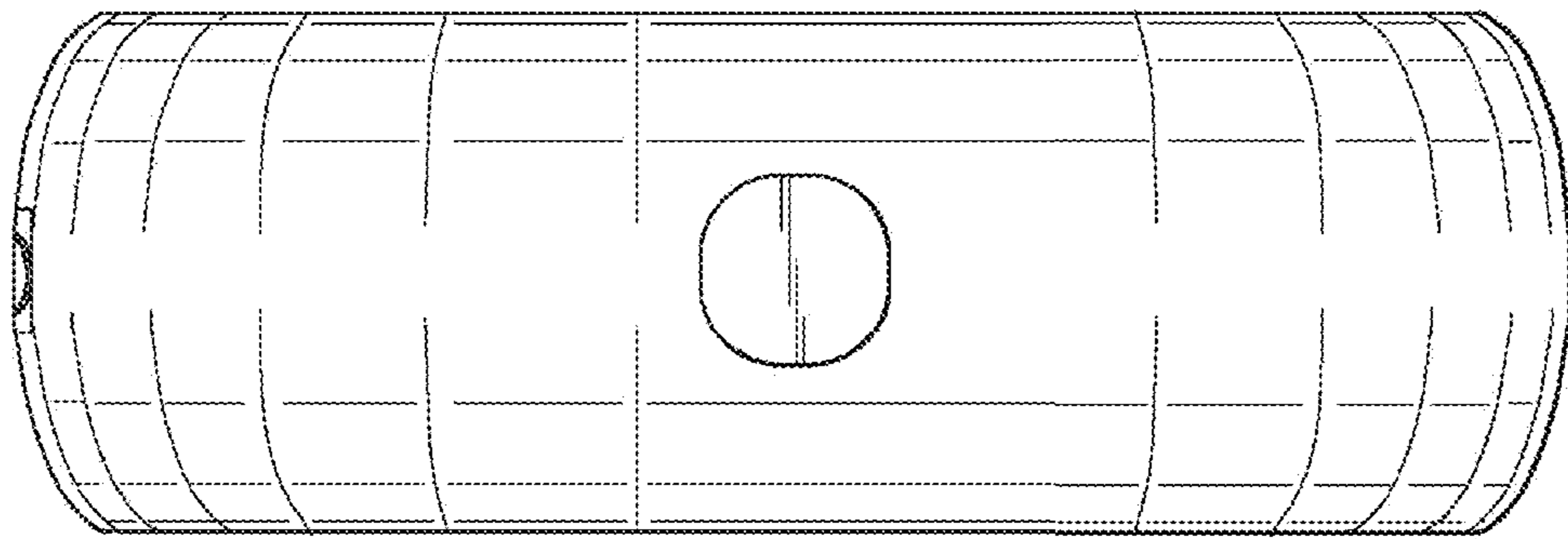


FIG. 6

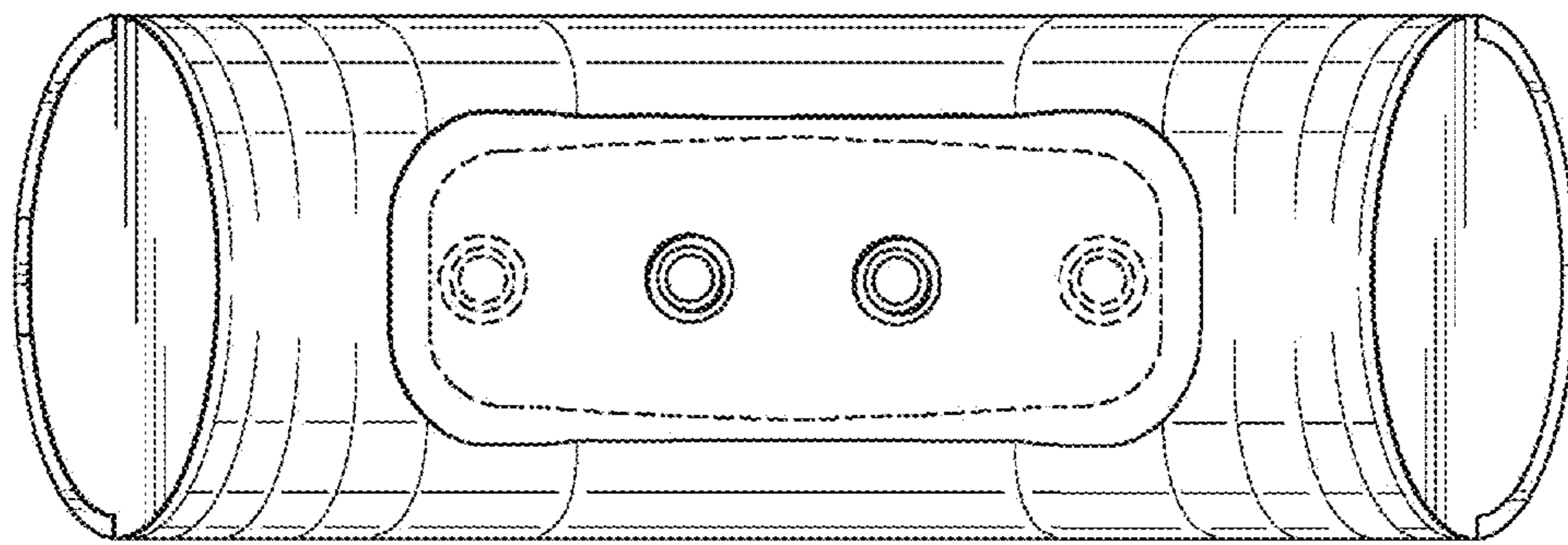


FIG. 7