

US00D698490S

(12) **United States Design Patent**
Xu

(10) **Patent No.:** **US D698,490 S**
(45) **Date of Patent:** **** Jan. 28, 2014**

(54) **HAIR ROLLERS**

(71) Applicant: **Liang Xu**, Shenzhen (CN)
(72) Inventor: **Liang Xu**, Shenzhen (CN)
(73) Assignees: **Cheer Master Trading Ltd.**, Kowloon (HK); **Tristar Products, Inc.**, East Fairfield, NJ (US); **Calista Tools, LLC**, West Chester, PA (US)

(**) Term: **14 Years**

(21) Appl. No.: **29/457,865**

(22) Filed: **Jun. 13, 2013**

(51) **LOC (10) Cl.** **28-03**

(52) **U.S. Cl.**
USPC **D28/37; D28/38**

(58) **Field of Classification Search**
USPC 219/222-226; 132/222, 223-272;
D28/35, 37-38, 40

See application file for complete search history.

(56) **References Cited**

U.S. PATENT DOCUMENTS

D215,258	S	*	9/1969	Daher	D28/38
D217,201	S	*	4/1970	Moffett	D28/38
3,658,071	A	*	4/1972	Wise	132/233
5,117,090	A	*	5/1992	Askins	219/222
D594,597	S	*	6/2009	Cardona	D28/38
2005/0061353	A1	*	3/2005	Kaizuka	132/227
2009/0133709	A1	*	5/2009	Kaizuka	132/229

* cited by examiner

Primary Examiner — Jennifer Rivard
(74) *Attorney, Agent, or Firm* — Sughrue Mion, PLLC

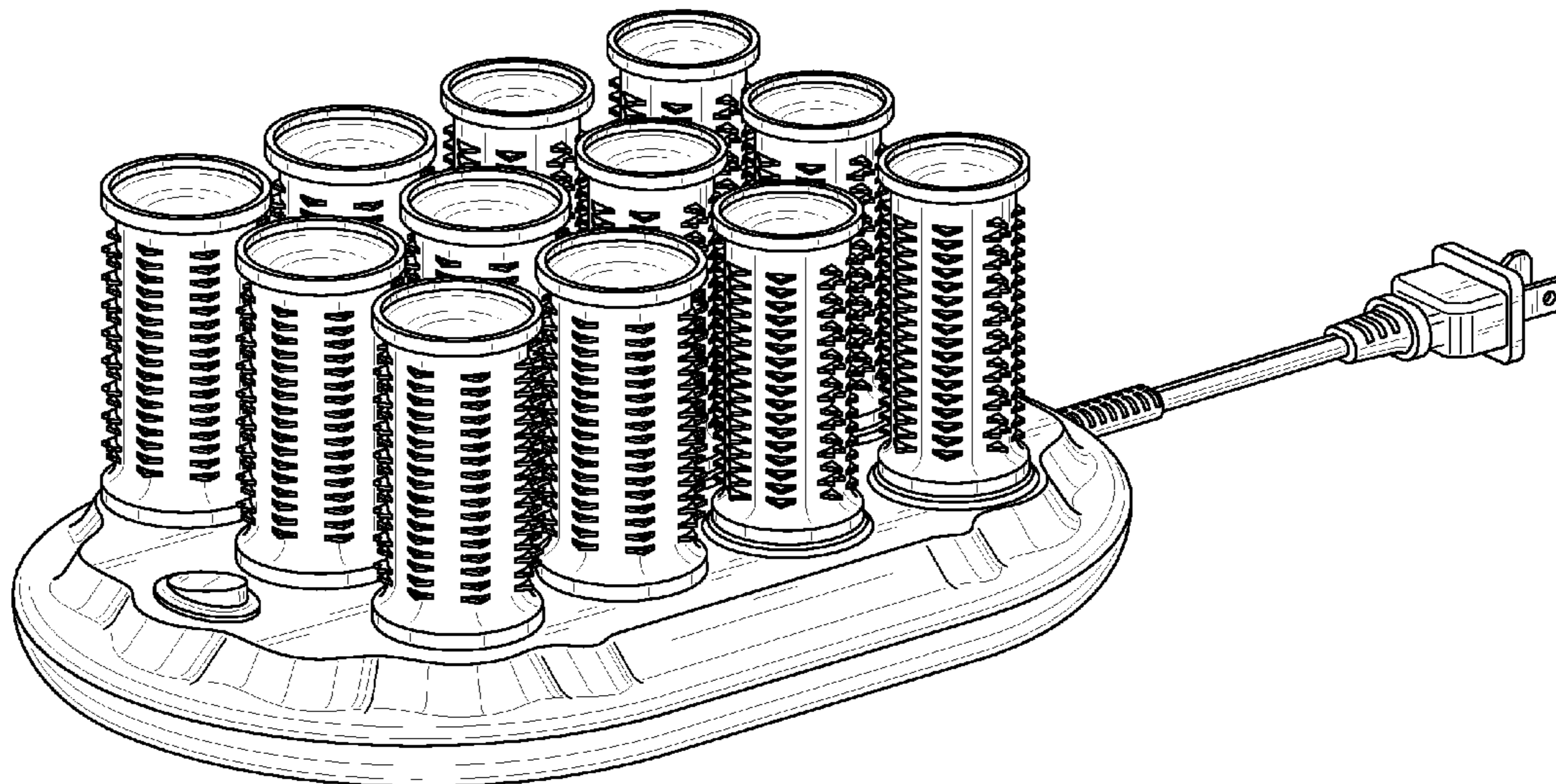
(57) **CLAIM**

The ornamental design for a hair rollers, as shown and described.

DESCRIPTION

FIG. 1 is a top, front and side perspective view of a hair rollers showing my new design;
FIG. 2 is a front elevational view thereof;
FIG. 3 is a rear elevational view thereof;
FIG. 4 is a left side elevational view thereof;
FIG. 5 is a right side elevational view thereof;
FIG. 6 is a top plan view thereof; and,
FIG. 7 is a bottom plan view.

1 Claim, 7 Drawing Sheets



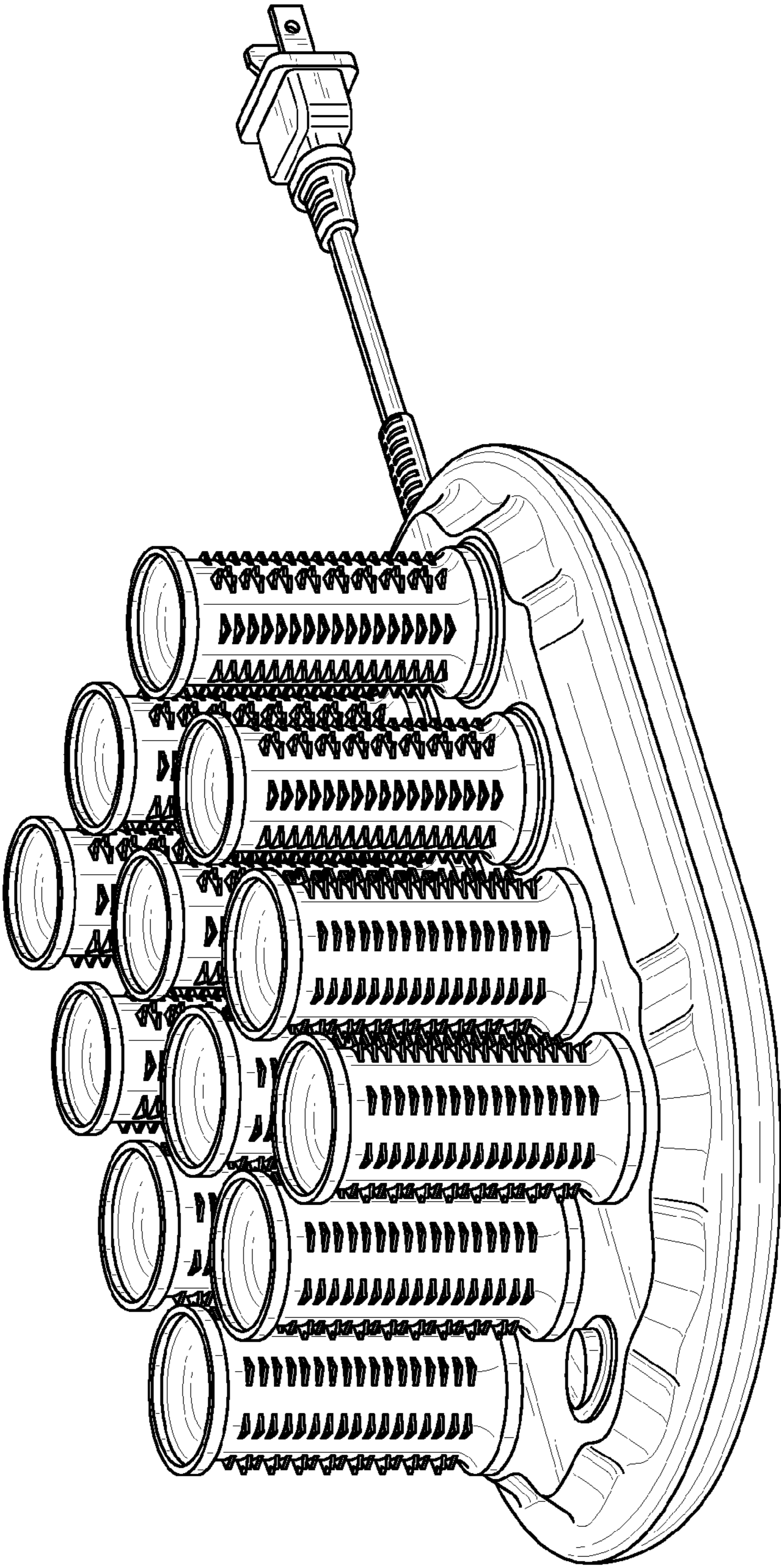


FIG. 1

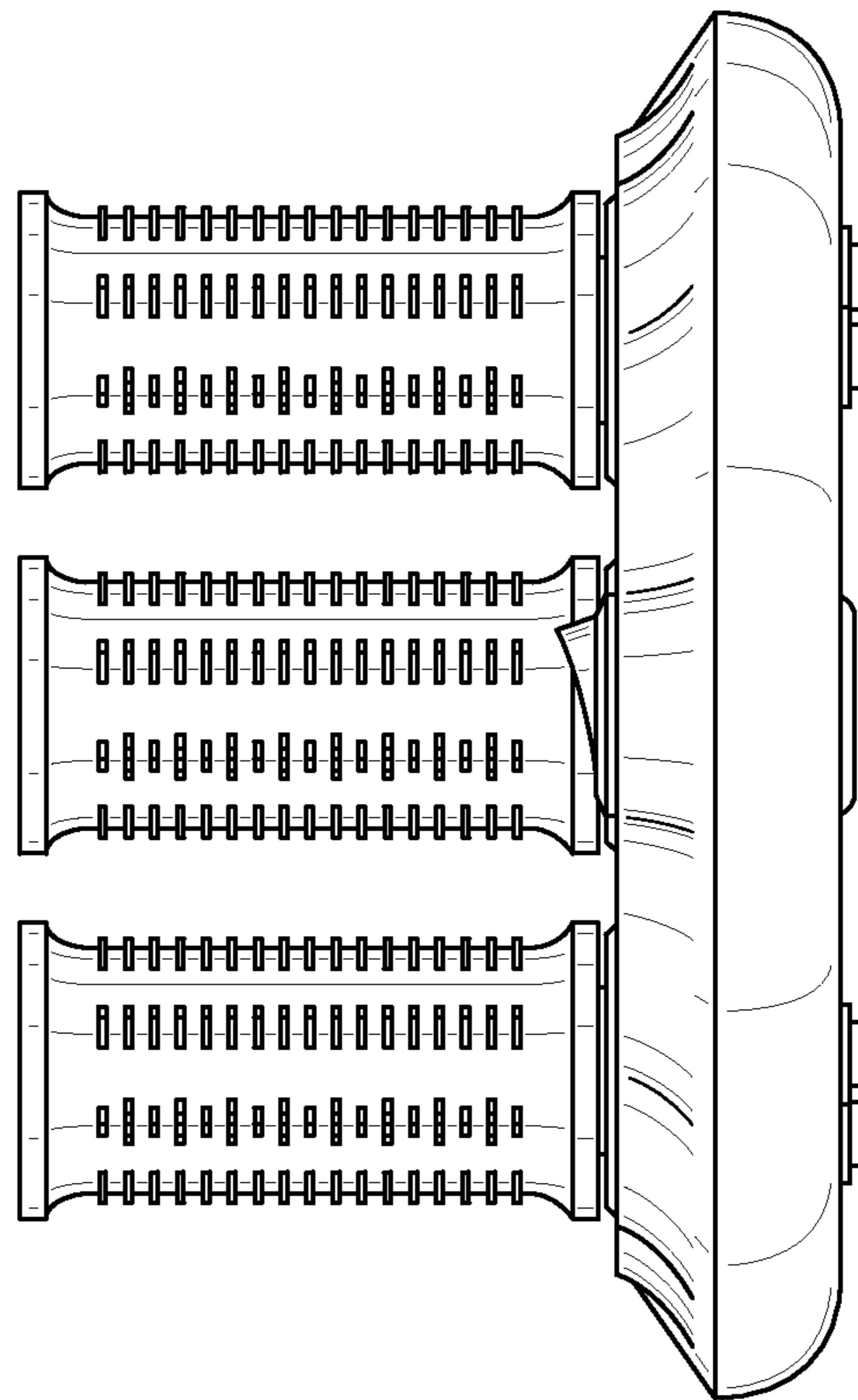


FIG. 2

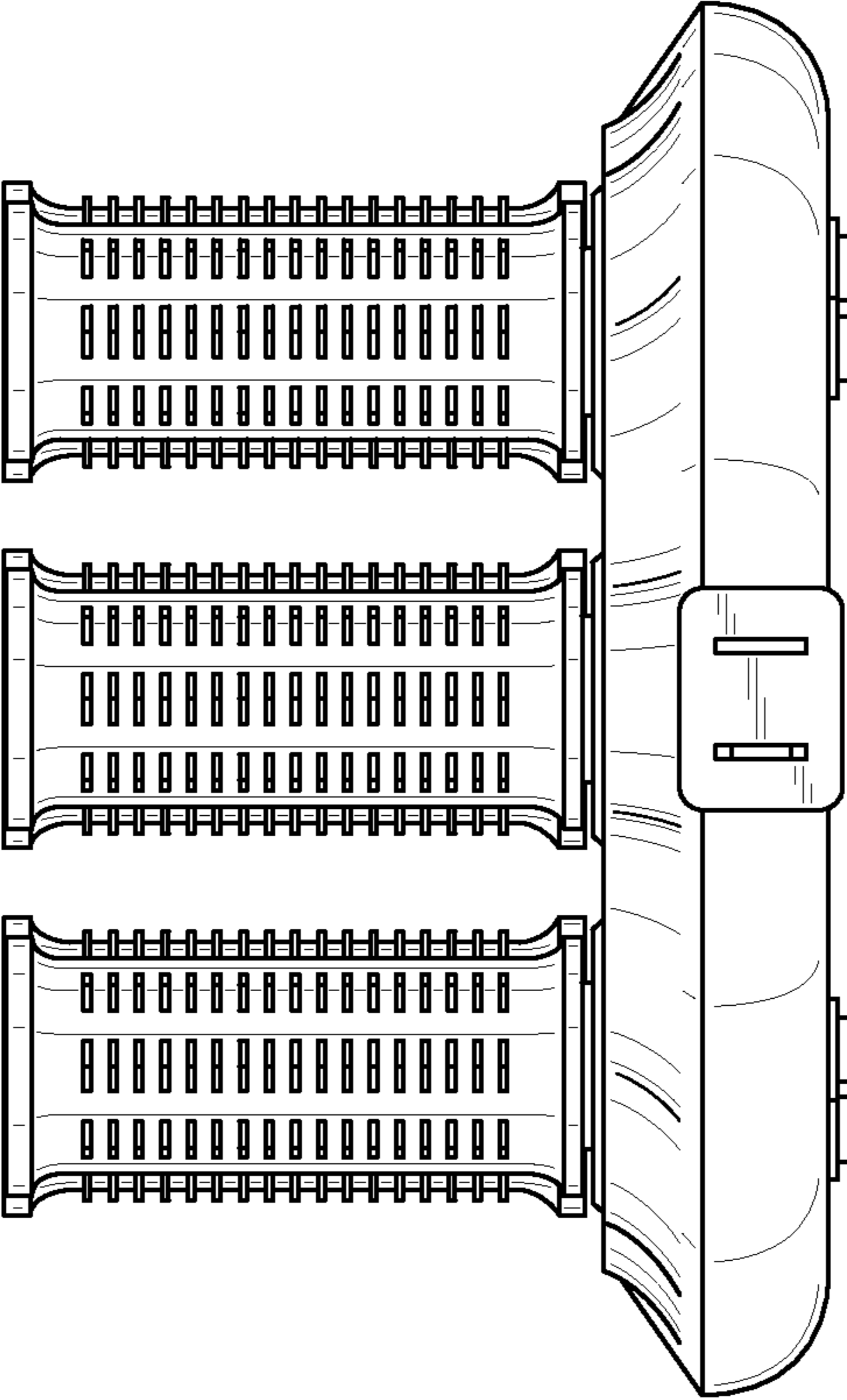


FIG. 3

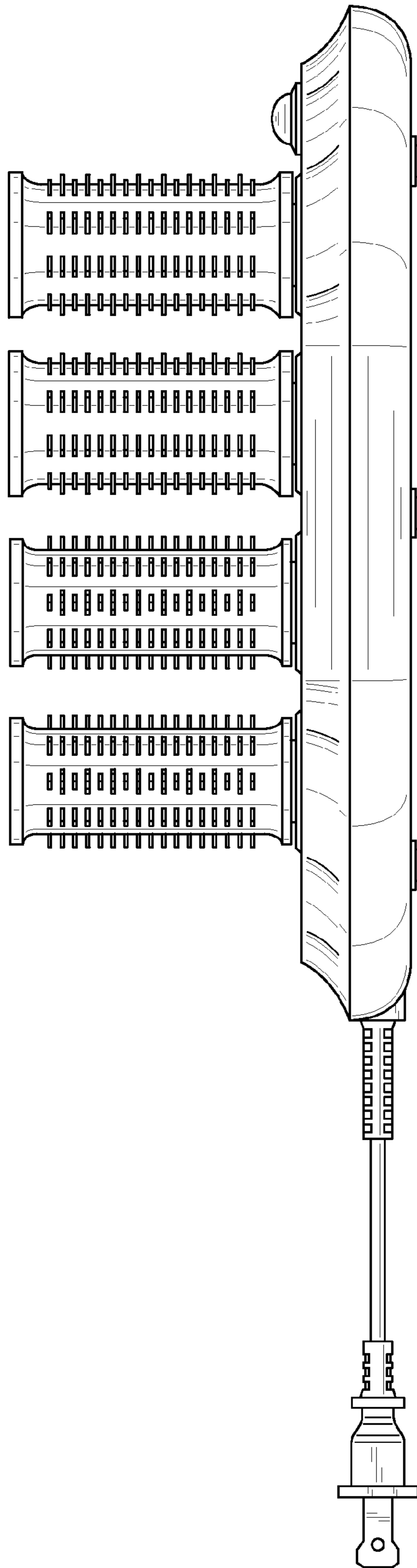


FIG. 4

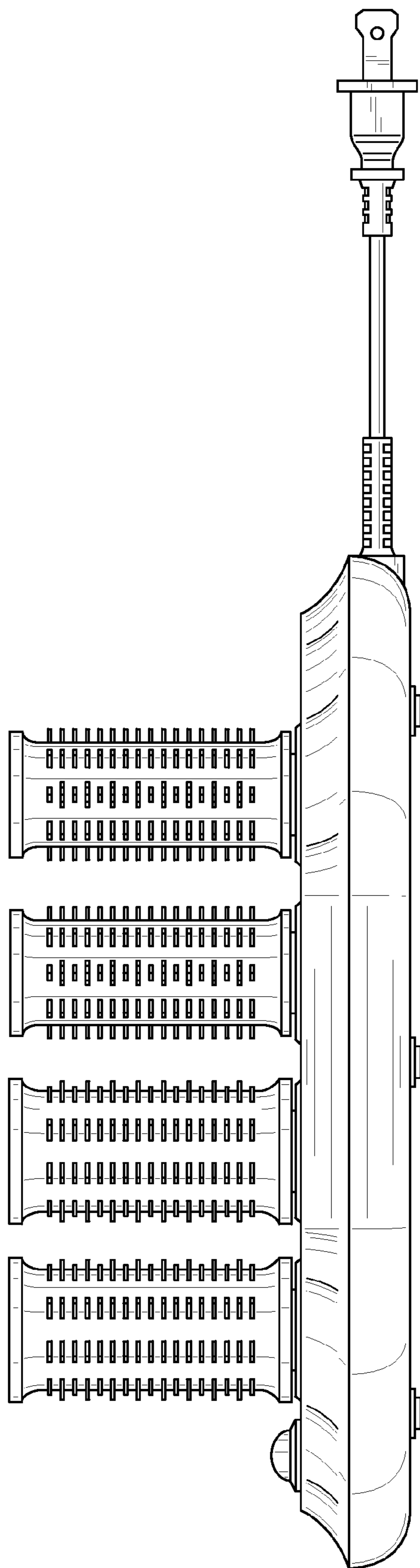


FIG. 5

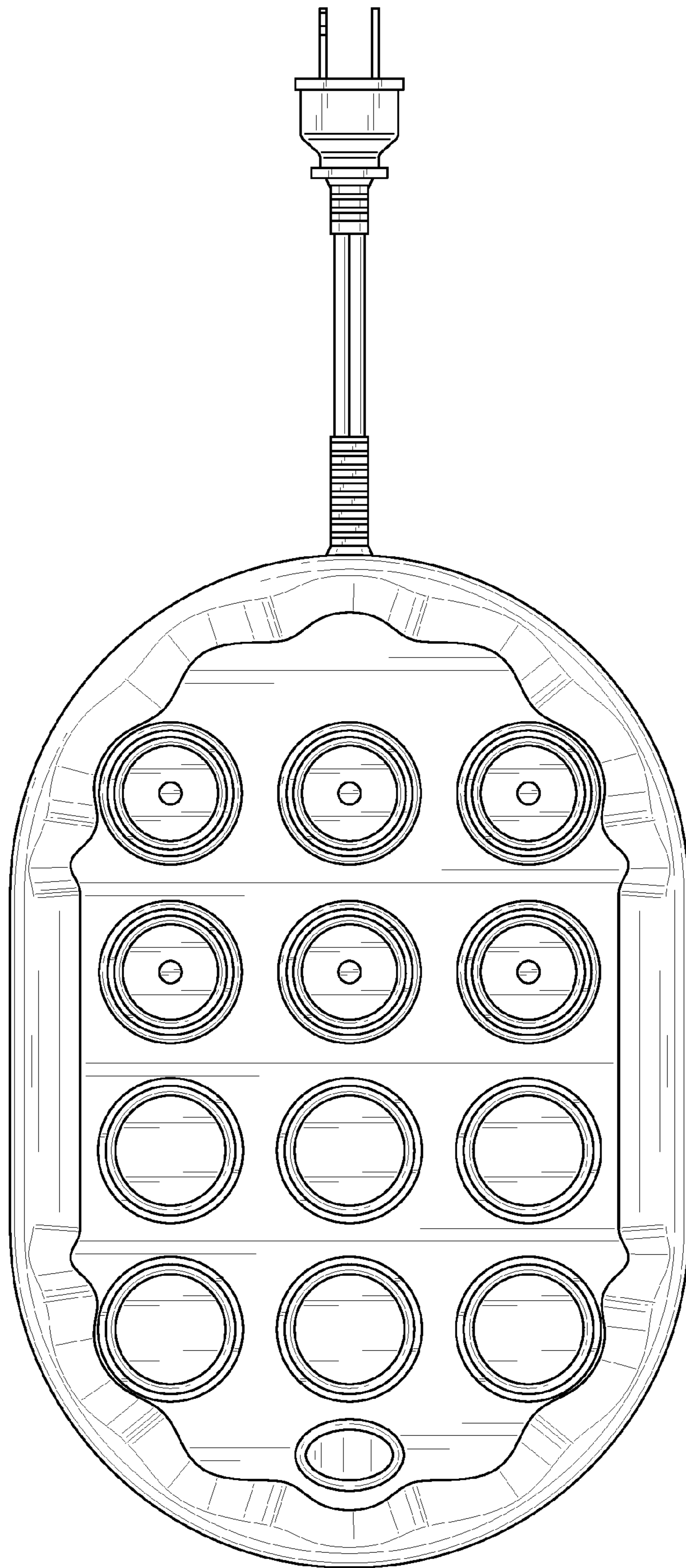


FIG. 6

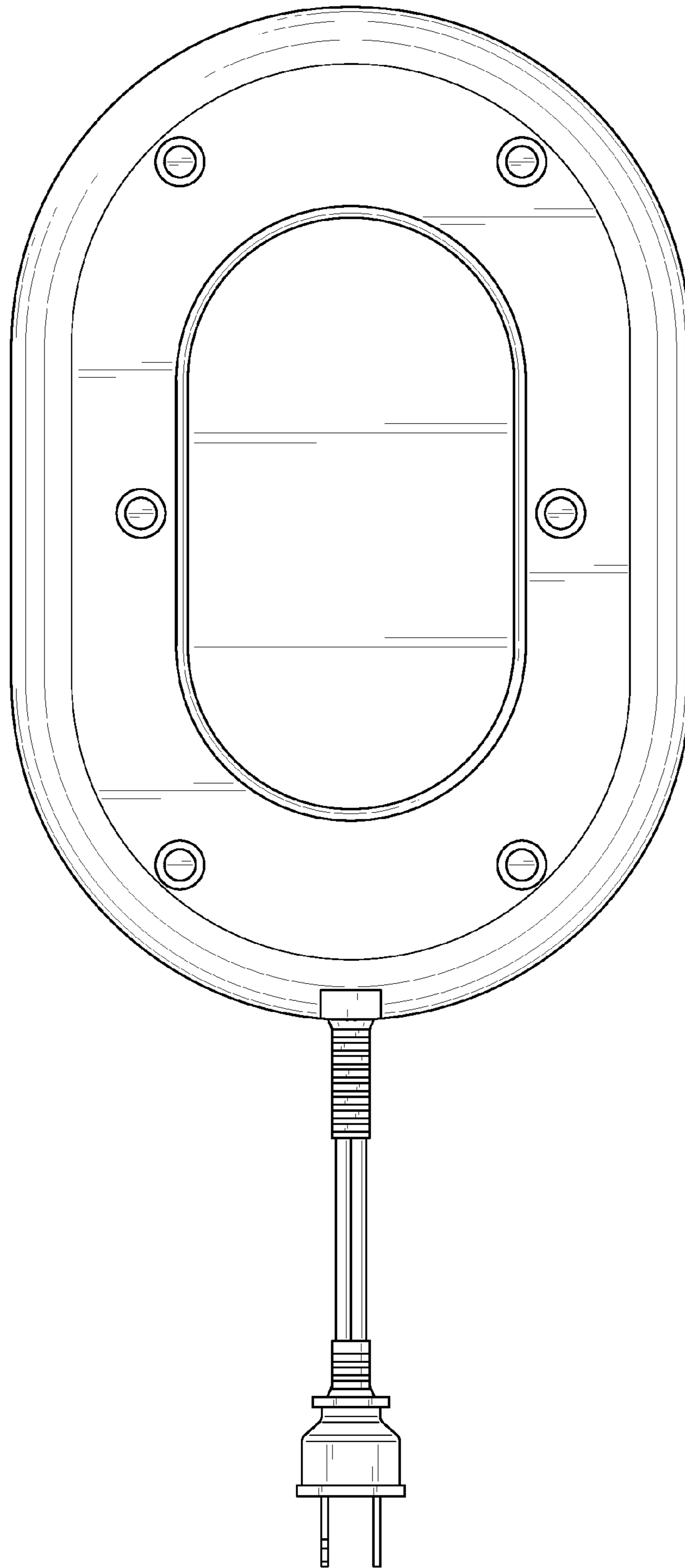


FIG. 7