



US00D698486S

(12) **United States Design Patent**
Deng

(10) **Patent No.:** **US D698,486 S**

(45) **Date of Patent:** **** Jan. 28, 2014**

(54) **HAIR IRON HEATING PLATE FOR STRAIGHTENING AND CURLING HAIR**

D649,288 S * 11/2011 Koehler D28/35
D665,947 S * 8/2012 Bachmann et al. D28/35
D672,089 S * 12/2012 Julemont D28/35

(71) Applicant: **Zhuang Fa Deng**, Shenzhen (CN)

* cited by examiner

(72) Inventor: **Zhuang Fa Deng**, Shenzhen (CN)

Primary Examiner — Jennifer Rivard

(73) Assignee: **Shenzhen Fashion Beauty Technology Co., Ltd.**, Shenzhen, Guangdong (CN)

(74) *Attorney, Agent, or Firm* — Ramond Y. Chan; David and Raymond Patent Firm

(**) Term: **14 Years**

(57) **CLAIM**

I claim the ornamental design for a hair iron heating plate for straightening and curling hair, as shown and described.

(21) Appl. No.: **29/442,442**

DESCRIPTION

(22) Filed: **Mar. 4, 2013**

(51) **LOC (10) Cl.** **28-03**

(52) **U.S. Cl.**
USPC **D28/35**

(58) **Field of Classification Search**
USPC 219/222–226; 132/222, 223–272;
D28/35, 37–38, 40

See application file for complete search history.

FIG. 1 is a perspective view showing my new design.

FIG. 2 is a front view thereof.

FIG. 3 is a right end view thereof.

FIG. 4 is a left end view thereof.

FIG. 5 is a top view thereof.

FIG. 6 is a bottom view thereof.

FIG. 7 is a perspective view of the second embodiment of my new design.

FIG. 8 is a front view of FIG. 7 where the upper and lower plates are pressed in contact with one another; and,

FIG. 9 is a perspective view of FIG. 8.

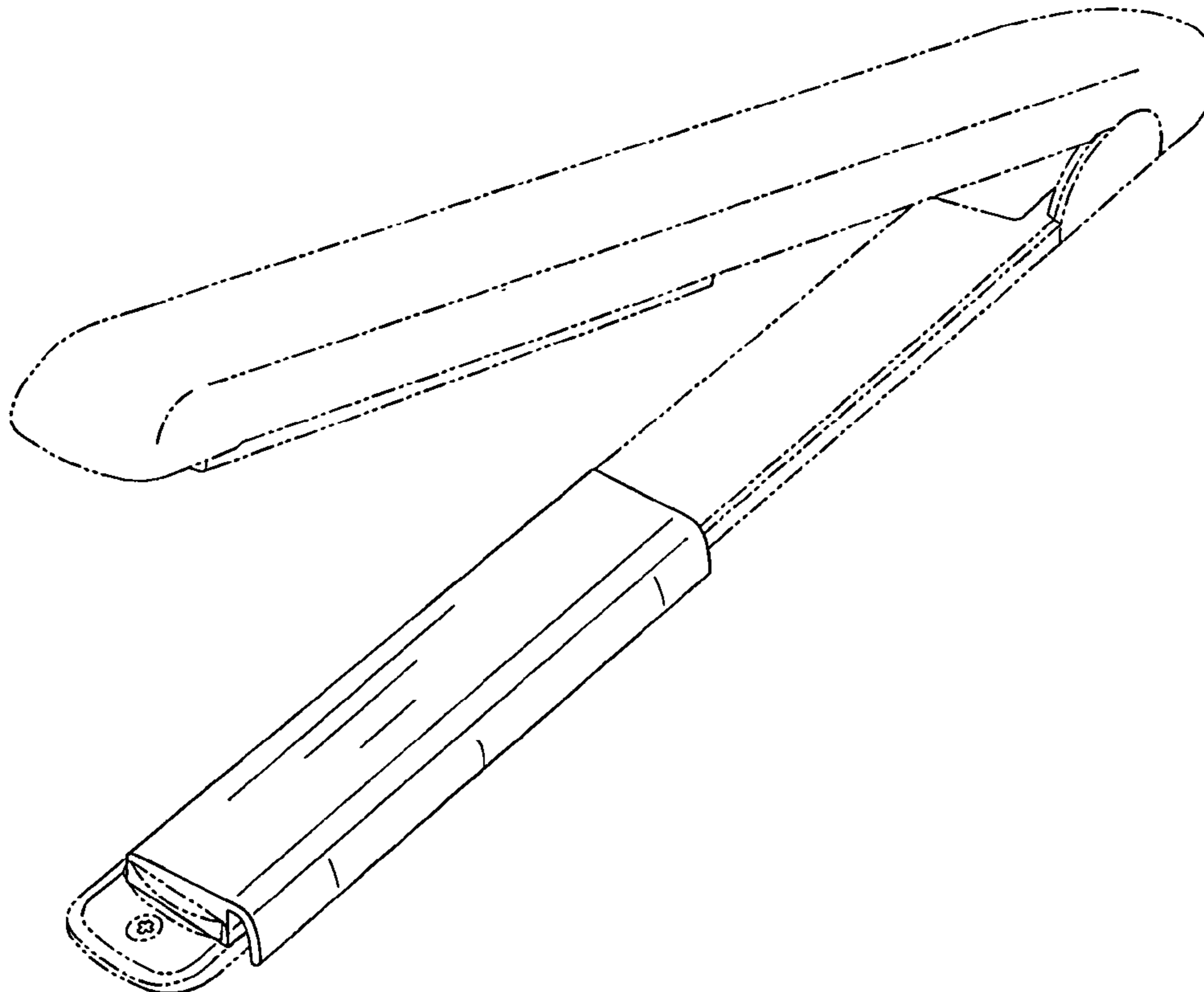
The broken lines illustrate the environment of the claim and form no part of the claimed design.

(56) **References Cited**

U.S. PATENT DOCUMENTS

6,627,852 B1 * 9/2003 Savone 219/225
D606,251 S * 12/2009 Leung D28/35
D645,614 S * 9/2011 Kim D28/35

1 Claim, 9 Drawing Sheets



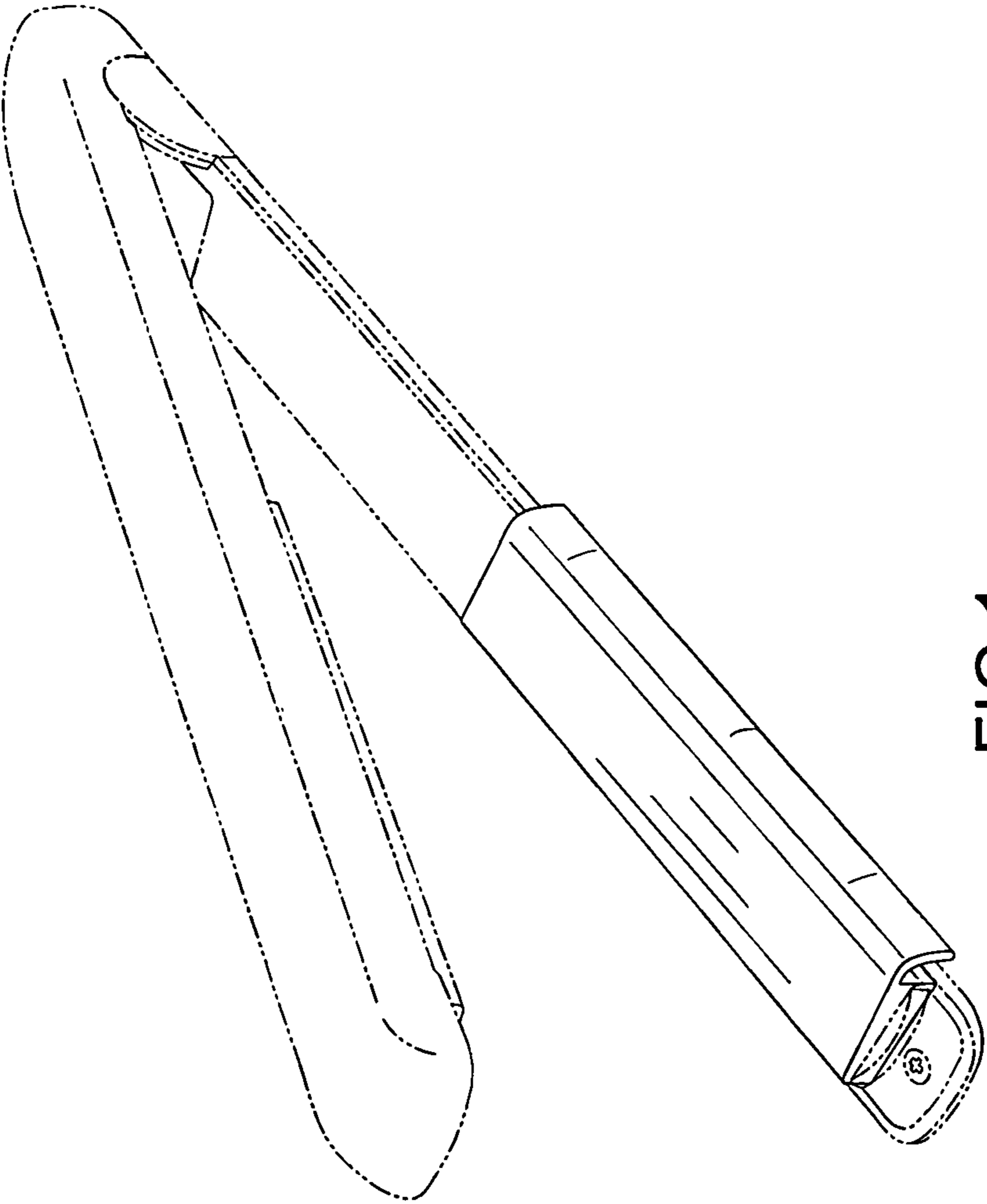


FIG. 1

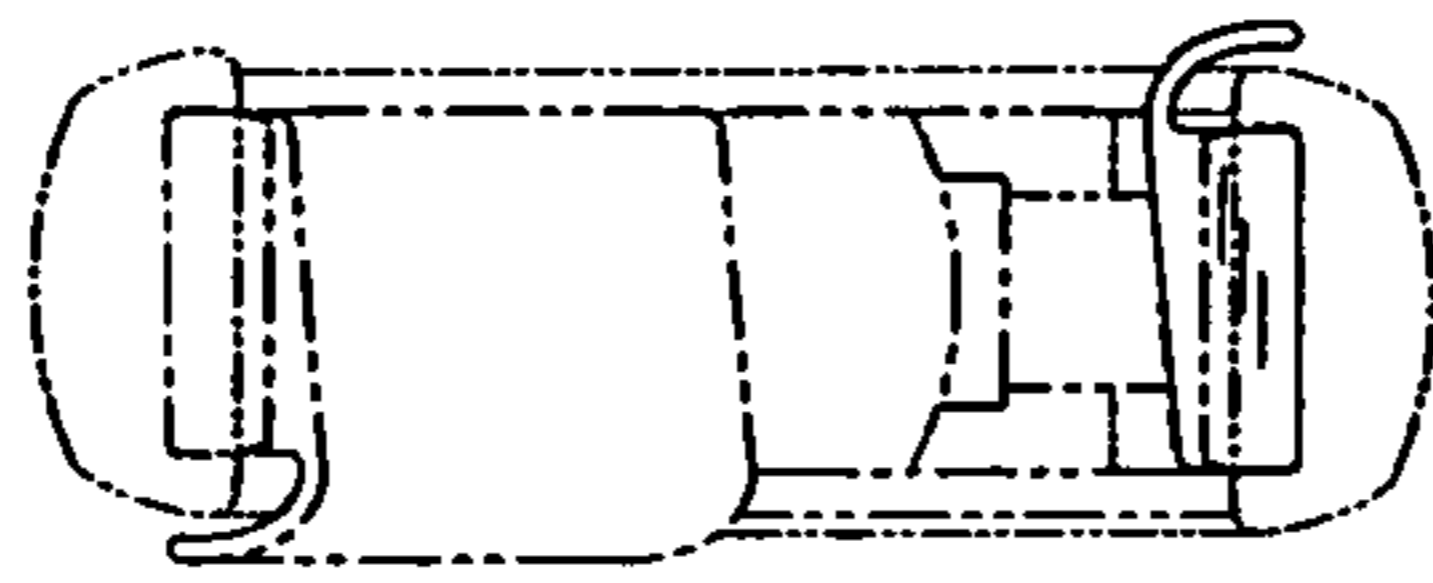


FIG. 2

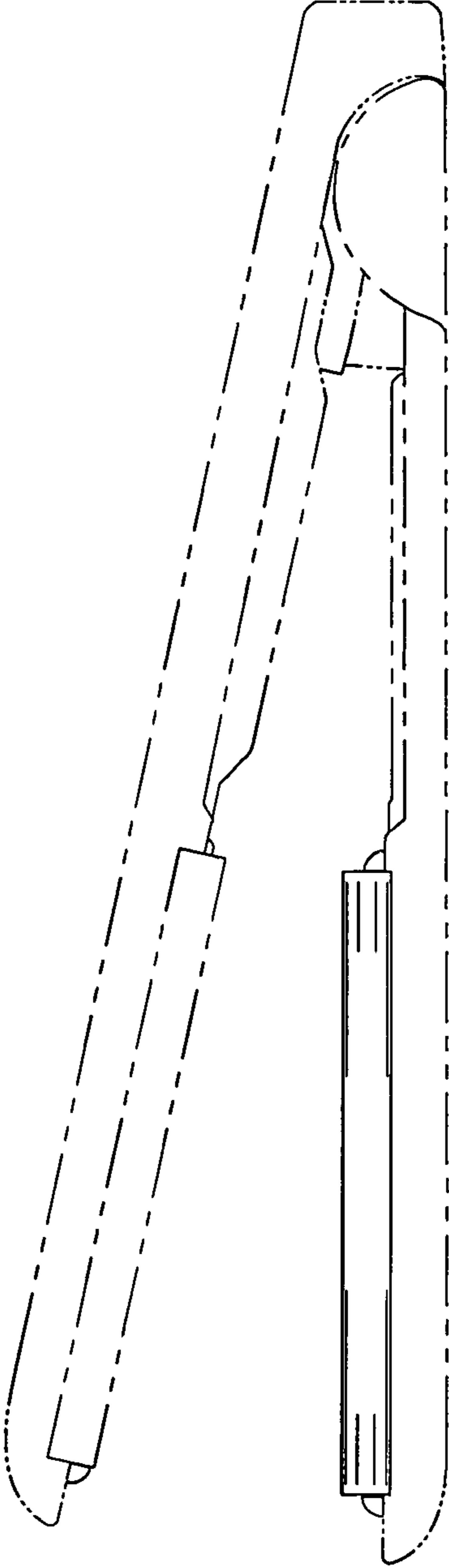


FIG.3

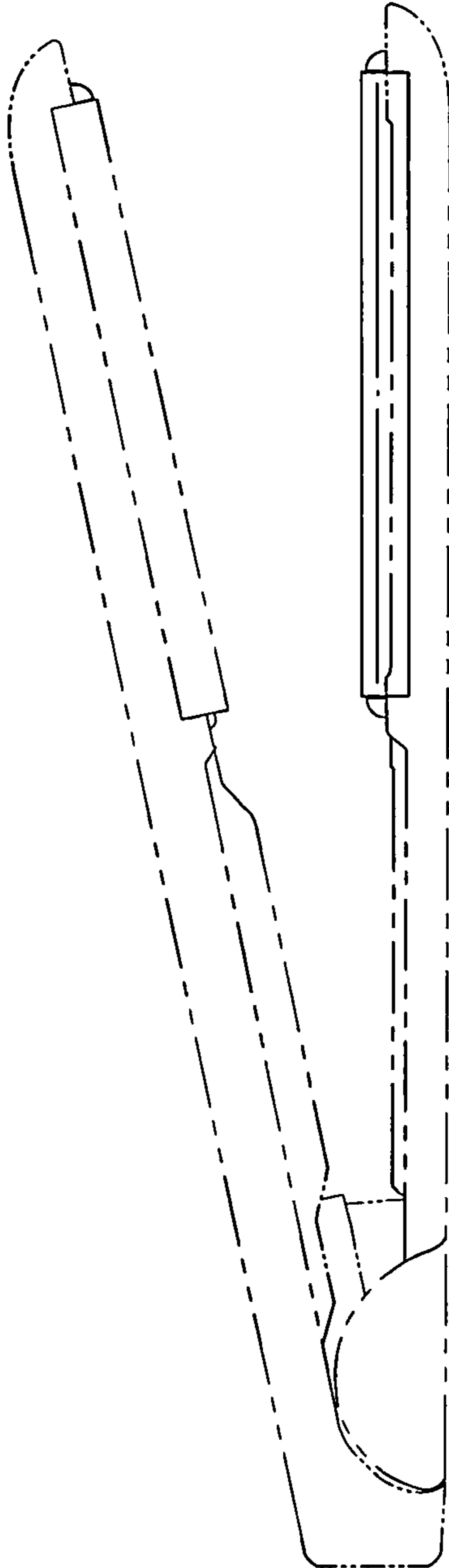


FIG.4

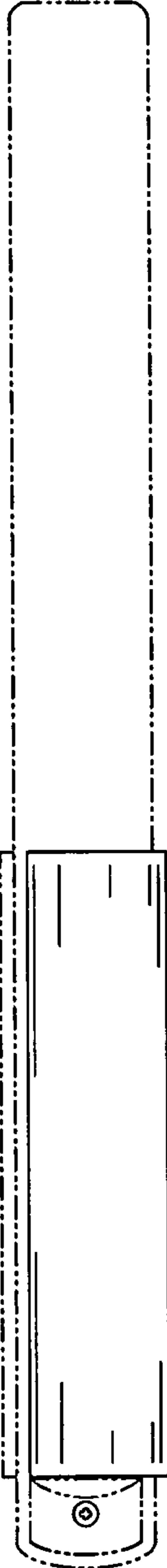


FIG.5

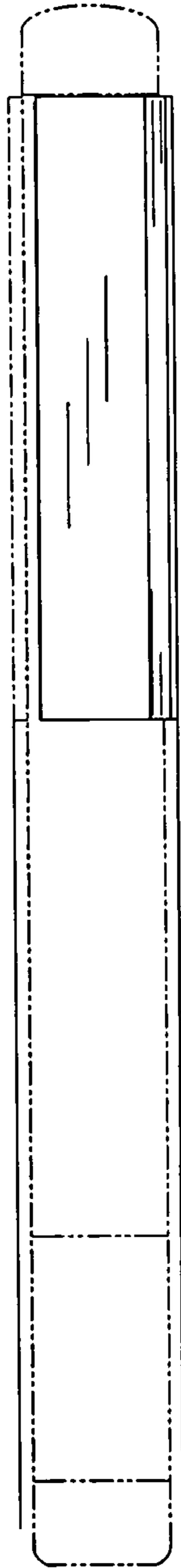


FIG.6

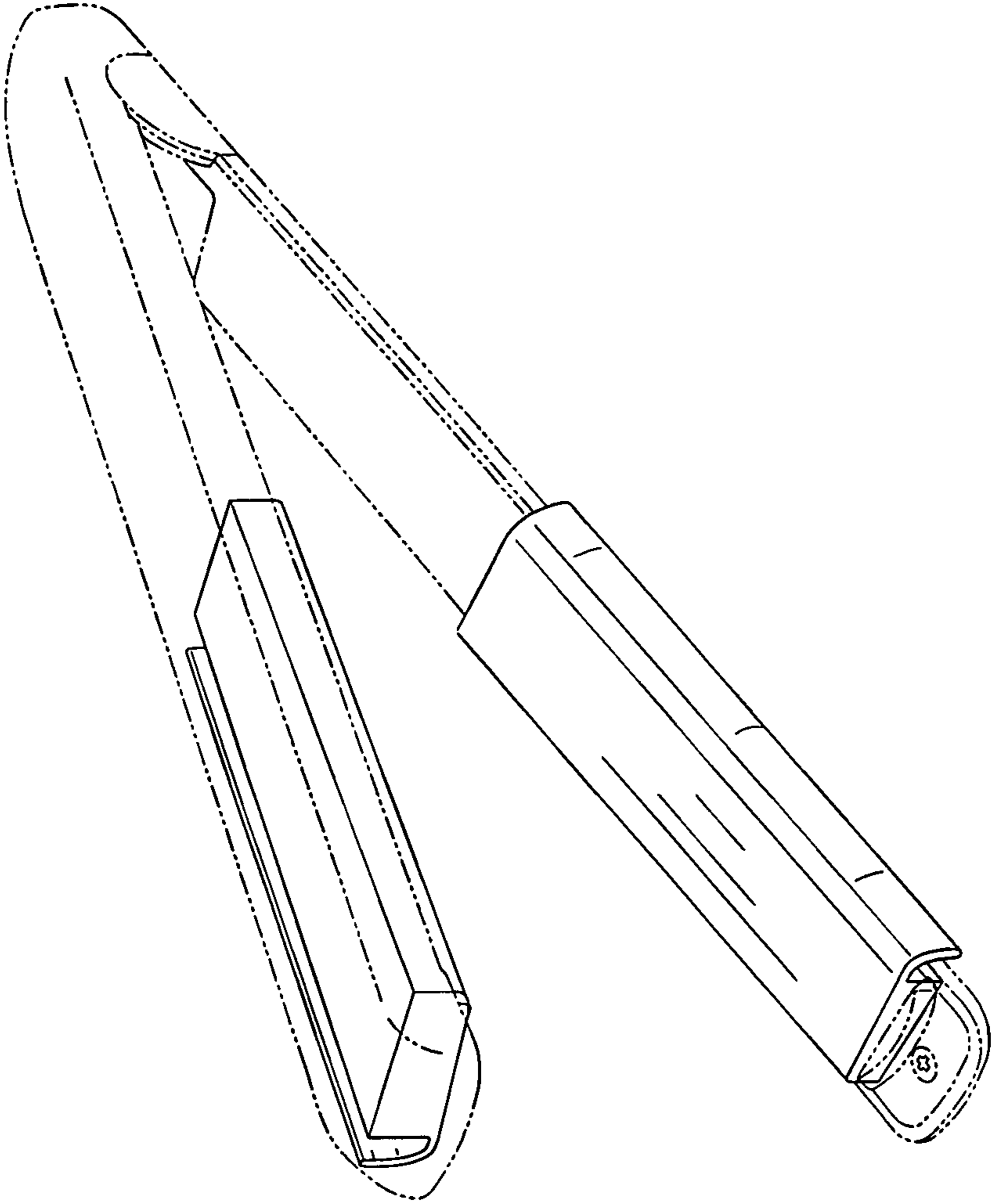


FIG.7

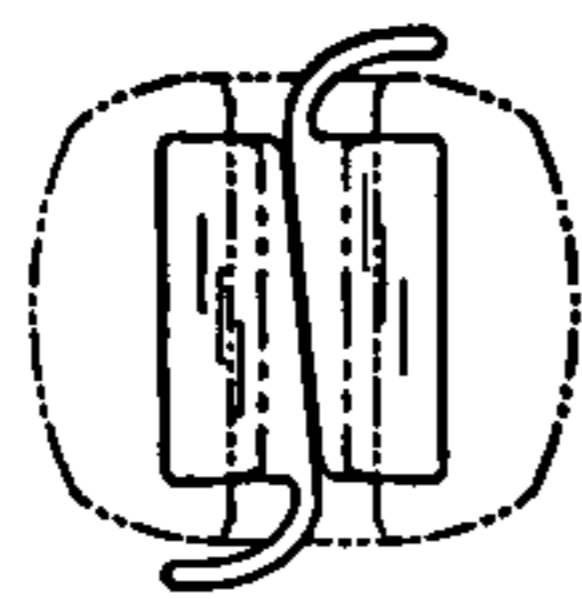


FIG. 8

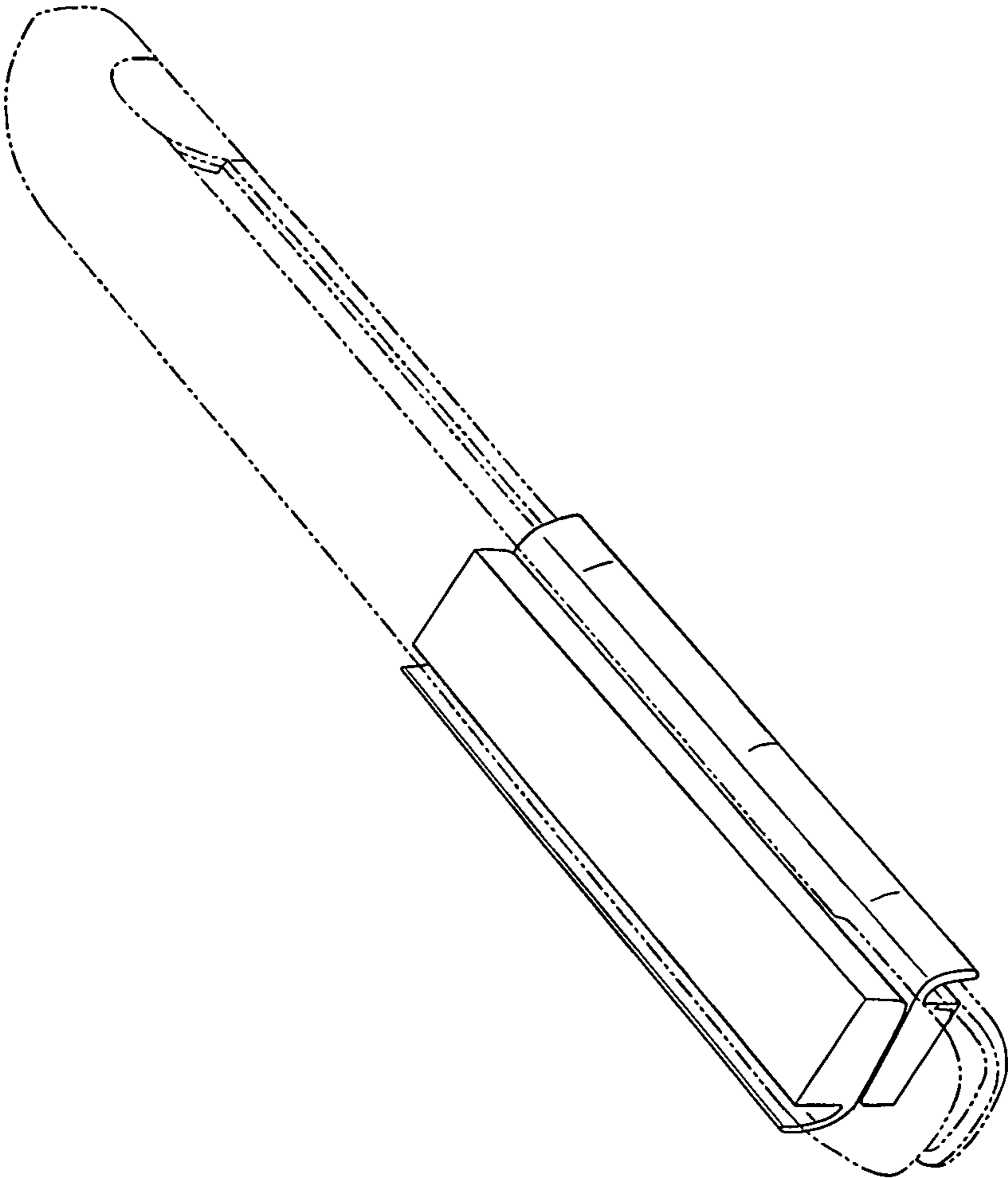


FIG. 9