



US00D698484S

(12) **United States Design Patent**
Scott et al.

(10) **Patent No.:** **US D698,484 S**
(45) **Date of Patent:** **** Jan. 28, 2014**

(54) **APPLICATOR CLIP FOR APPLYING A HAIR COMPOSITION TO A BUNDLE OF HAIR STRANDS**

(71) Applicant: **The Procter & Gamble Company,**
Cincinnati, OH (US)

(72) Inventors: **Daniel Scott,** Egham (GB); **David Dombrowski,** Cincinnati, OH (US);
Natasha Jane Evans, Egham (GB);
William John Davis, Bath (GB); **David James McNeill,** Bath (GB)

(73) Assignee: **The Procter & Gamble Company,**
Cincinnati, OH (US)

(**) Term: **14 Years**

(21) Appl. No.: **29/462,606**

(22) Filed: **Aug. 6, 2013**

Related U.S. Application Data

(62) Division of application No. 29/375,022, filed on Sep. 16, 2010, now abandoned.

(30) **Foreign Application Priority Data**

Mar. 16, 2010 (WO) DM/074 205

(51) **LOC (10) Cl.** **28-02**

(52) **U.S. Cl.**
USPC **D28/7**

(58) **Field of Classification Search**
USPC D28/7, 8; 132/108, 202, 208, 317, 320
See application file for complete search history.

(56) **References Cited**

U.S. PATENT DOCUMENTS

4,942,893	A *	7/1990	Trottier	132/270
6,626,599	B2 *	9/2003	De Laforcade	401/10
7,025,069	B2 *	4/2006	Thiebaut	132/270
8,091,559	B2	1/2012	Lund	
8,132,570	B2	3/2012	Glenn, Jr.	
8,132,574	B2	3/2012	Baker	
2002/0114657	A1 *	8/2002	Gueret	401/130
2008/0000492	A1 *	1/2008	Mills	132/212
2008/0083419	A1	4/2008	Glenn, Jr.	
2008/0087294	A1 *	4/2008	Glenn et al.	132/221
2008/0308119	A1 *	12/2008	Smith	132/202
2009/0071496	A1 *	3/2009	Glenn et al.	132/208
2009/0084393	A1	4/2009	Baker	
2009/0223531	A1	9/2009	Lund	

* cited by examiner

Primary Examiner — Zenia Bennett

(74) *Attorney, Agent, or Firm* — James T. Fondriest

(57) **CLAIM**

The ornamental design for an applicator clip for applying a hair treatment composition to a bundle of hair strands, as shown and described.

DESCRIPTION

FIG. 1 is a perspective view of our new design shown in a closed position, the design being capable of being in an open or closed position;

FIG. 2 is a front view;

FIG. 3 is a rear view;

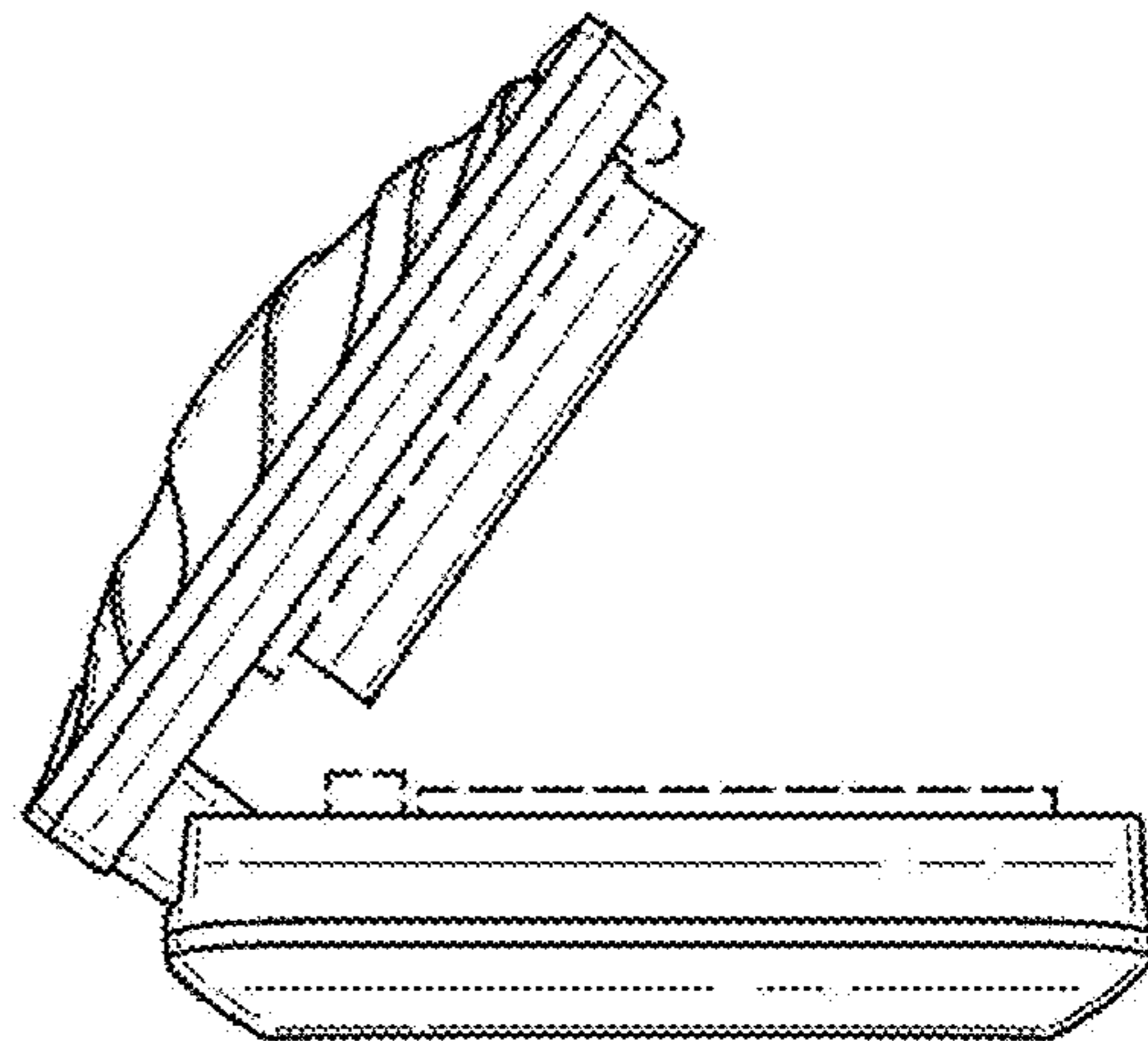
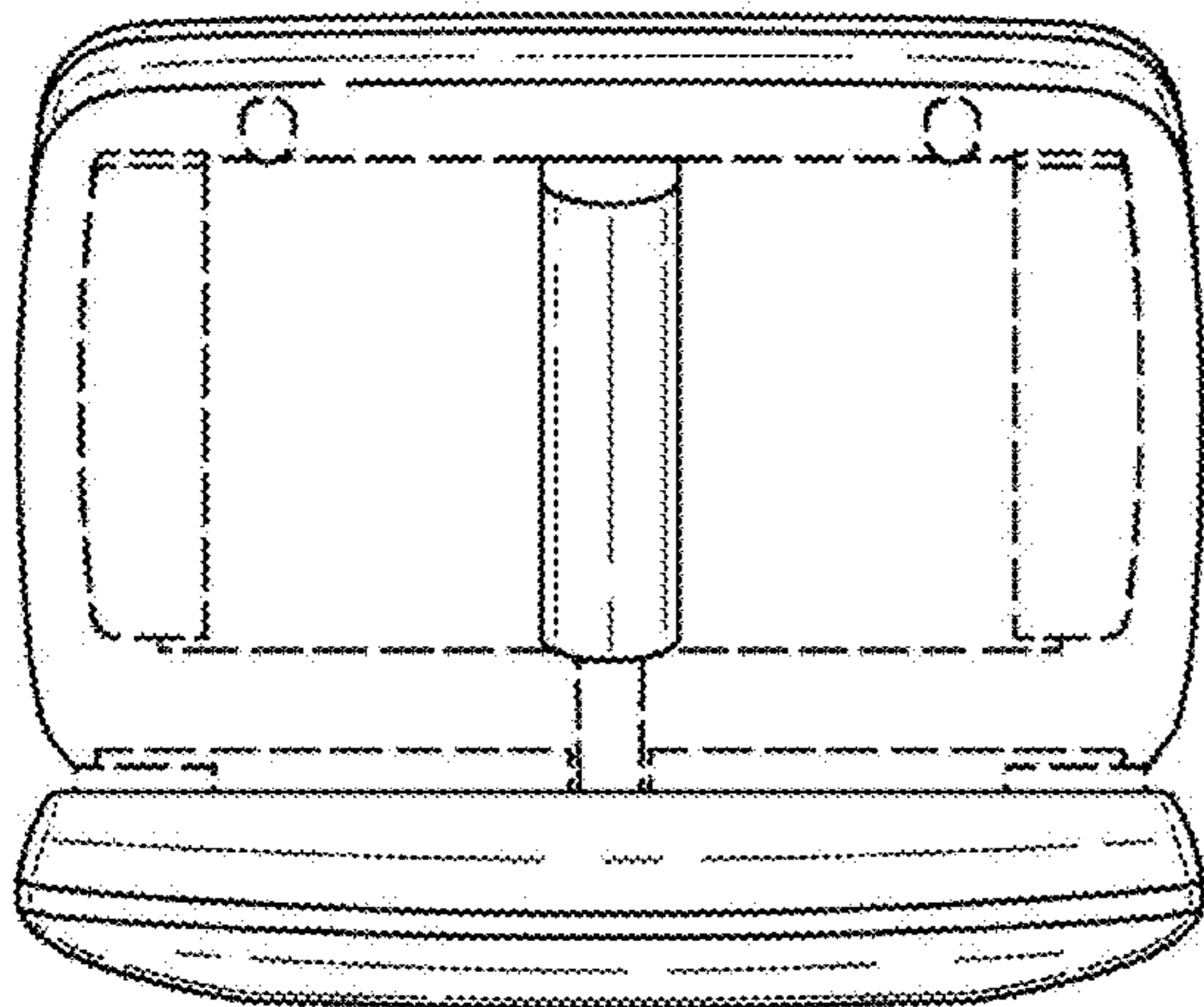
FIG. 4 is a left side view;

FIG. 5 is a bottom view; and,

FIG. 6 is a bottom perspective view.

Wherein the broken lines represent disclaimed portions of the design.

1 Claim, 3 Drawing Sheets



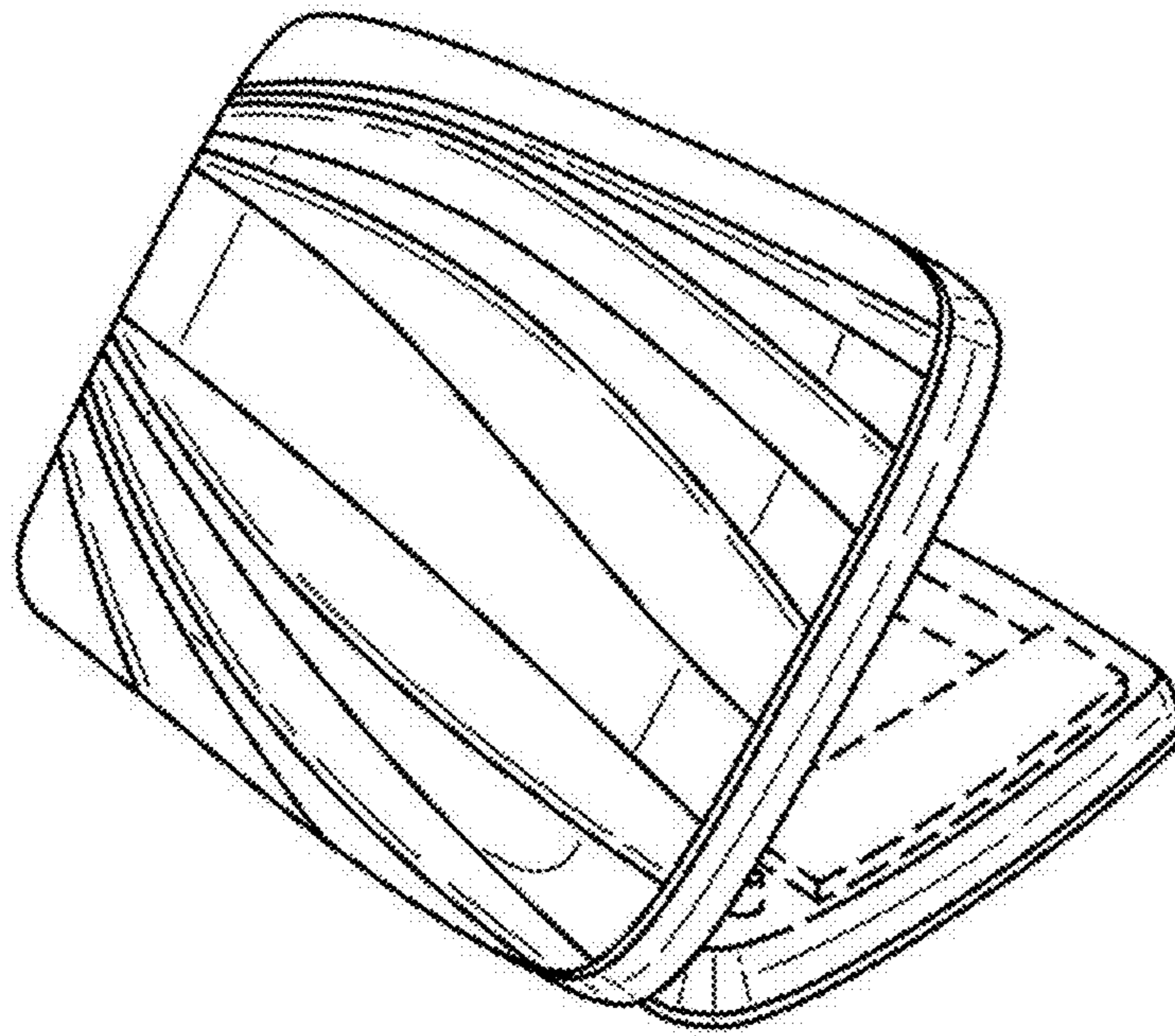


Fig. 1

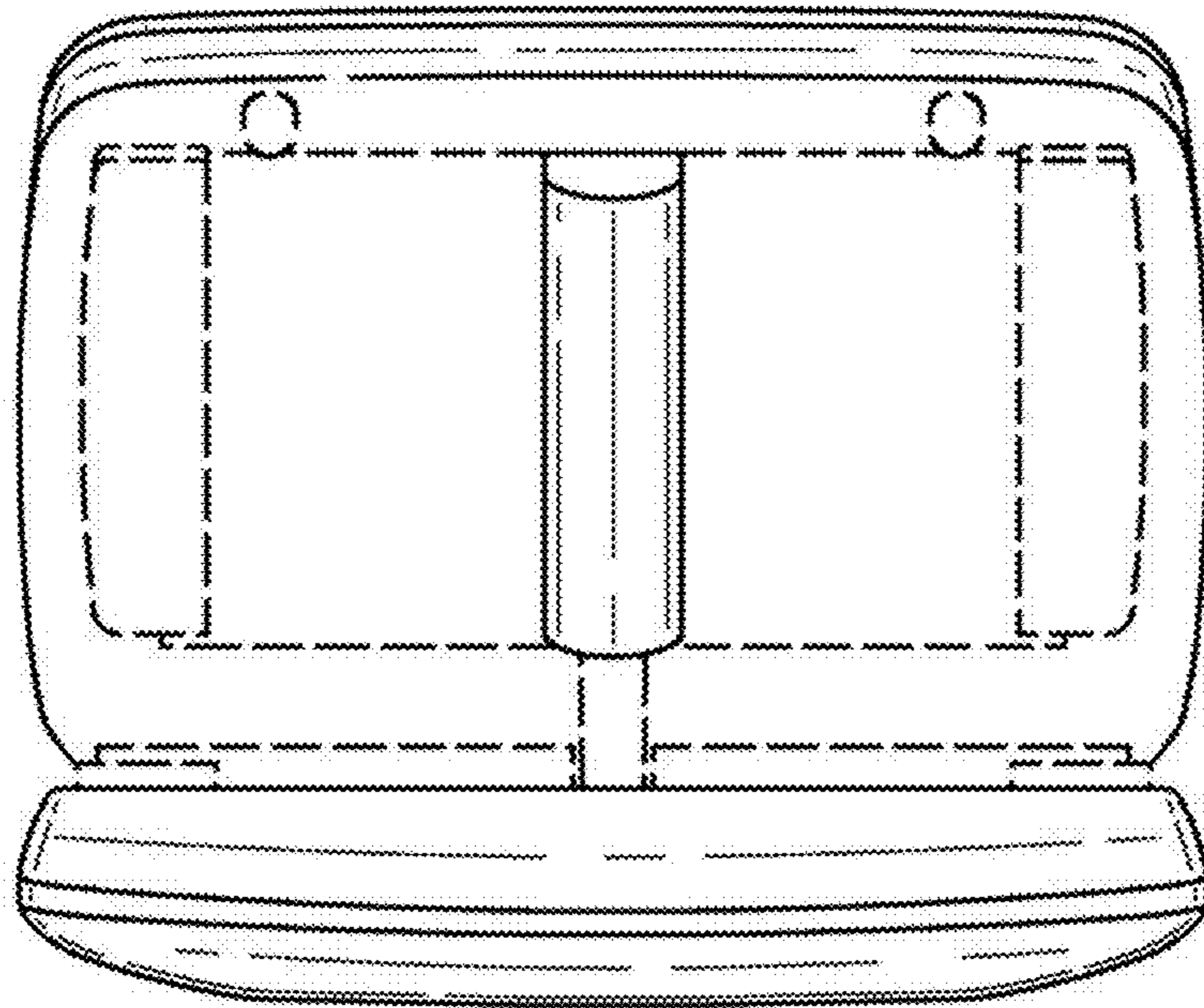


Fig. 2

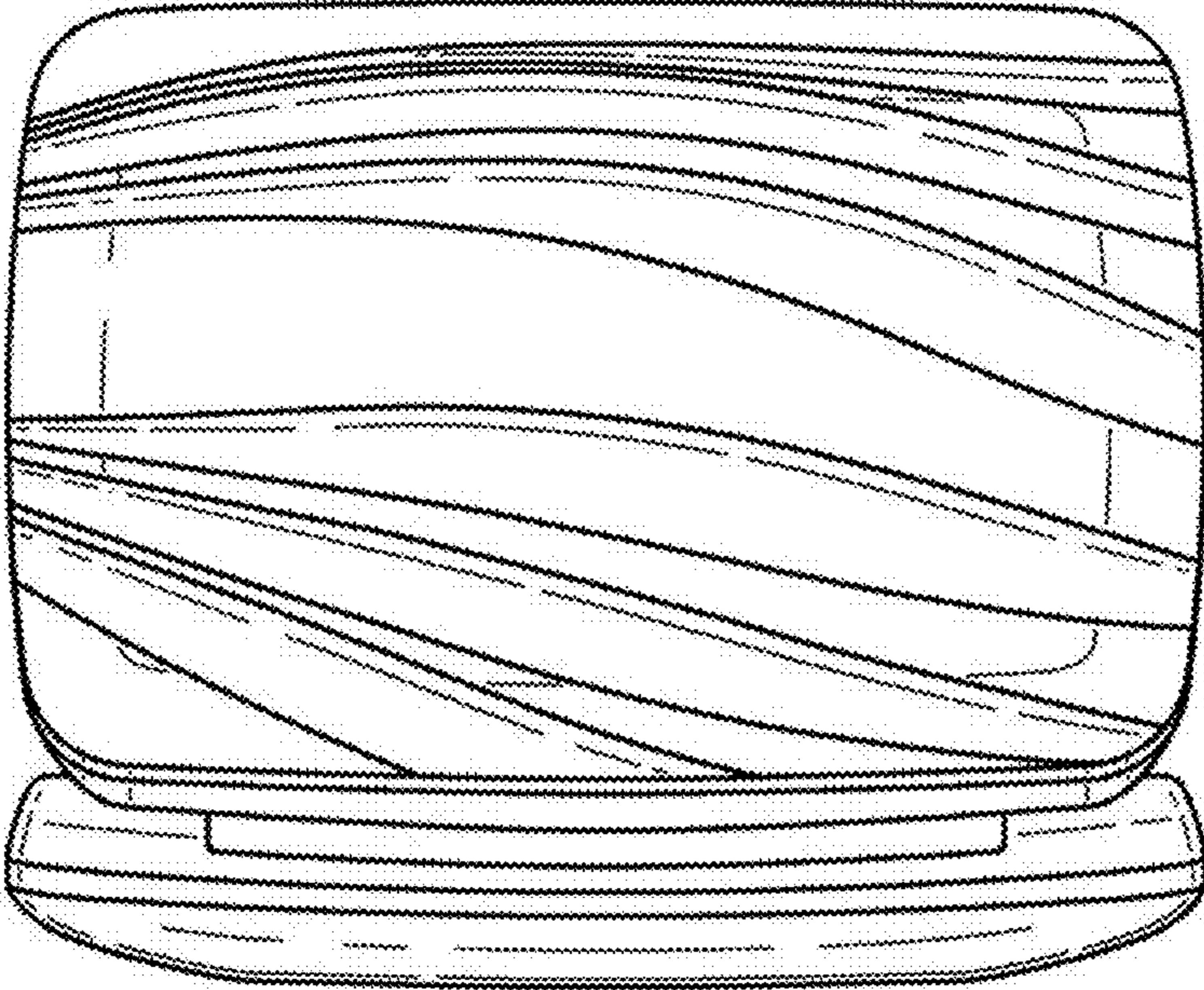


Fig. 3

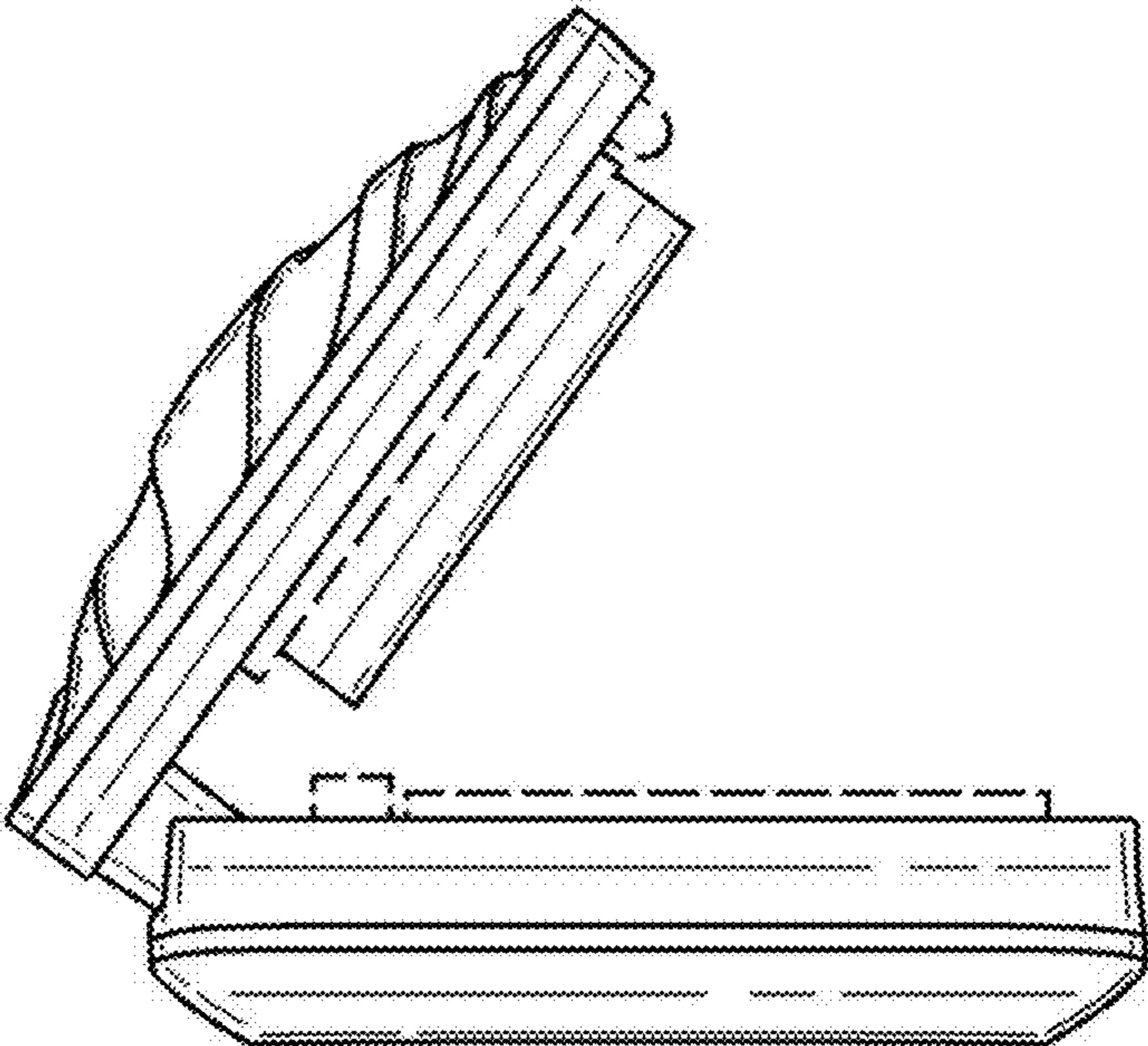


Fig. 4

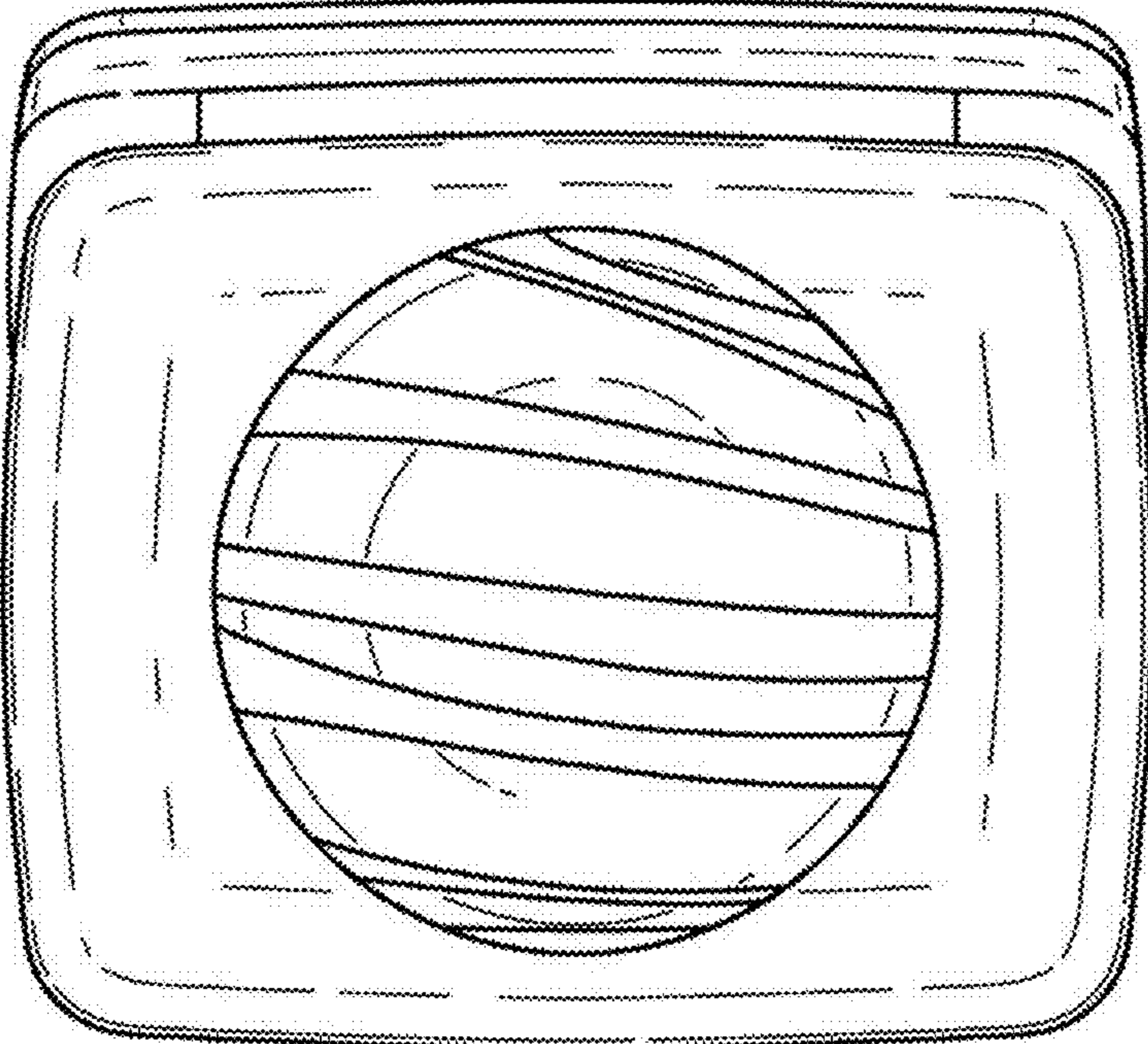


Fig. 5

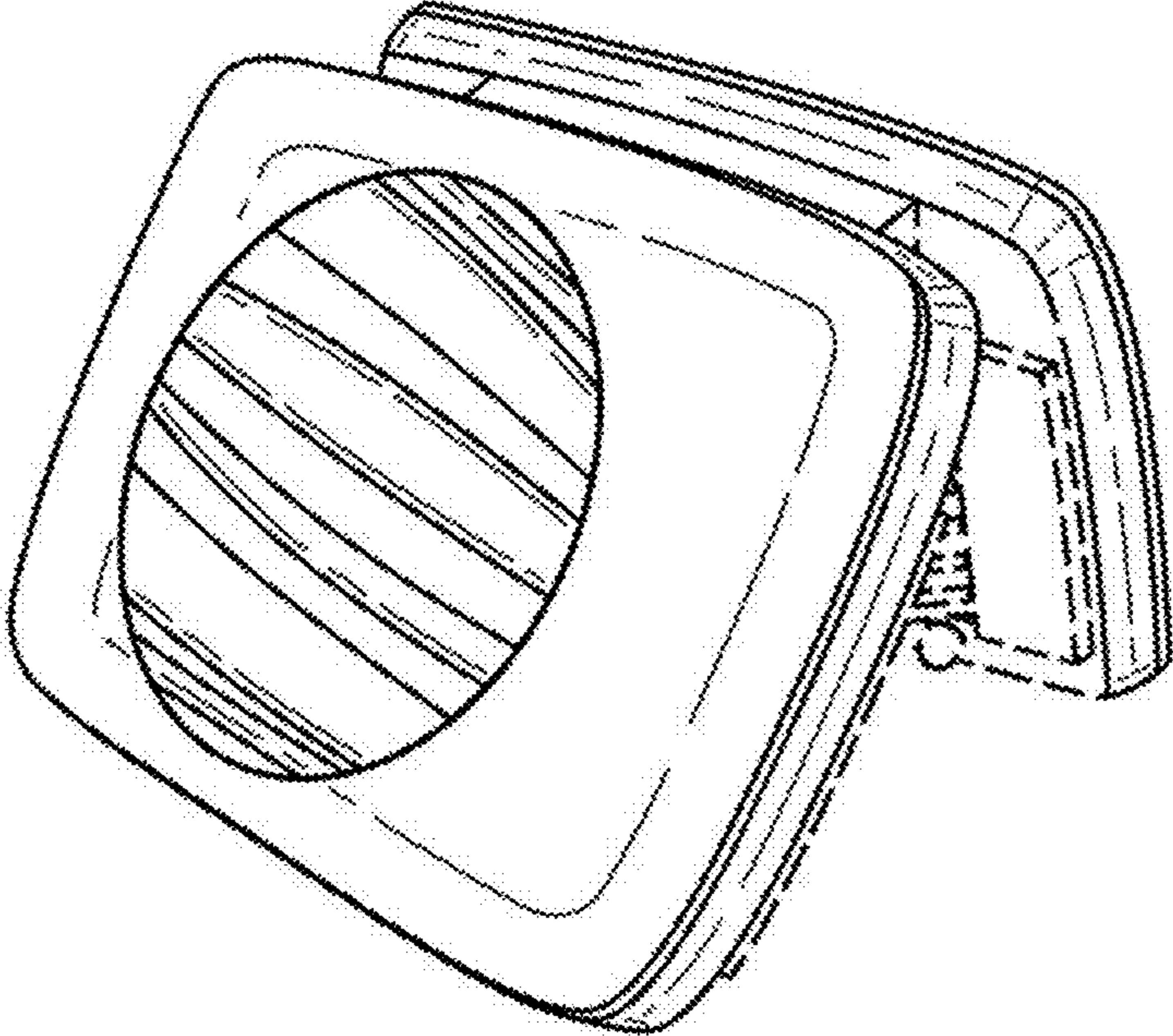


Fig. 6