

US00D698483S

(12) **United States Design Patent**
Ezren

(10) **Patent No.:** **US D698,483 S**

(45) **Date of Patent:** **** Jan. 28, 2014**

(54) **ADJUSTABLE SUPPORT ARM FOR LAMPS OR THE LIKE**

(71) Applicant: **Mattis Ezren**, Brooklyn, NY (US)

(72) Inventor: **Mattis Ezren**, Brooklyn, NY (US)

(**) Term: **14 Years**

(21) Appl. No.: **29/438,321**

(22) Filed: **Nov. 28, 2012**

(51) **LOC (10) Cl.** **26-99**

(52) **U.S. Cl.**
USPC **D26/155**

(58) **Field of Classification Search**
USPC D26/25, 26, 28, 31, 35, 36, 37, 41, 42, D26/50, 51, 52, 64, 66, 67, 73, 75, 78, 85, D26/88, 89, 90, 103-106, 109, 110, 119, D26/123, 125, 129, 131, 135, 136, 138, 140, D26/143, 144; D13/179, 180; 362/92, 130, 362/132, 133, 183, 184, 190, 205, 216, 362/217.05, 218, 220, 223, 224, 241, 247, 362/249.03, 249.05-249.1, 249.11, 258, 362/260, 285, 287, 294.02, 297, 327, 345, 362/354, 373-379, 410, 418, 419, 510, 516, 362/558, 561; 248/339, 557, 558; D8/354, D8/373, 377, 382; D25/60, 119, 124, 125; 52/455; 349/59-62, 64-67, 113; 438/15; 345/102; D12/406; D10/111, D10/114.1; D11/121, 125, 144, 145; 428/11; 257/96, 97, 98, 99

See application file for complete search history.

(56) **References Cited**

U.S. PATENT DOCUMENTS

| | | | |
|--------------|---------|-------------------|---------------|
| 3,543,019 A | 11/1970 | Jacobsen | |
| D309,032 S | 7/1990 | Sharber et al. | |
| D327,544 S | 6/1992 | Orozco | |
| D337,841 S | 7/1993 | Lu | |
| D378,859 S * | 4/1997 | Yumita et al. | D26/65 |
| D382,361 S | 8/1997 | Chan | |
| D435,926 S | 1/2001 | Huo-Tu | |
| D441,476 S * | 5/2001 | Mendelsohn et al. | D26/63 |
| D471,665 S * | 3/2003 | Huang | D26/145 |
| D472,011 S * | 3/2003 | Chen | D26/145 |
| D556,356 S | 11/2007 | Chen | |
| D597,238 S | 7/2009 | Lu et al. | |
| D611,192 S | 3/2010 | Huang | |

* cited by examiner

Primary Examiner — Zenia Bennett

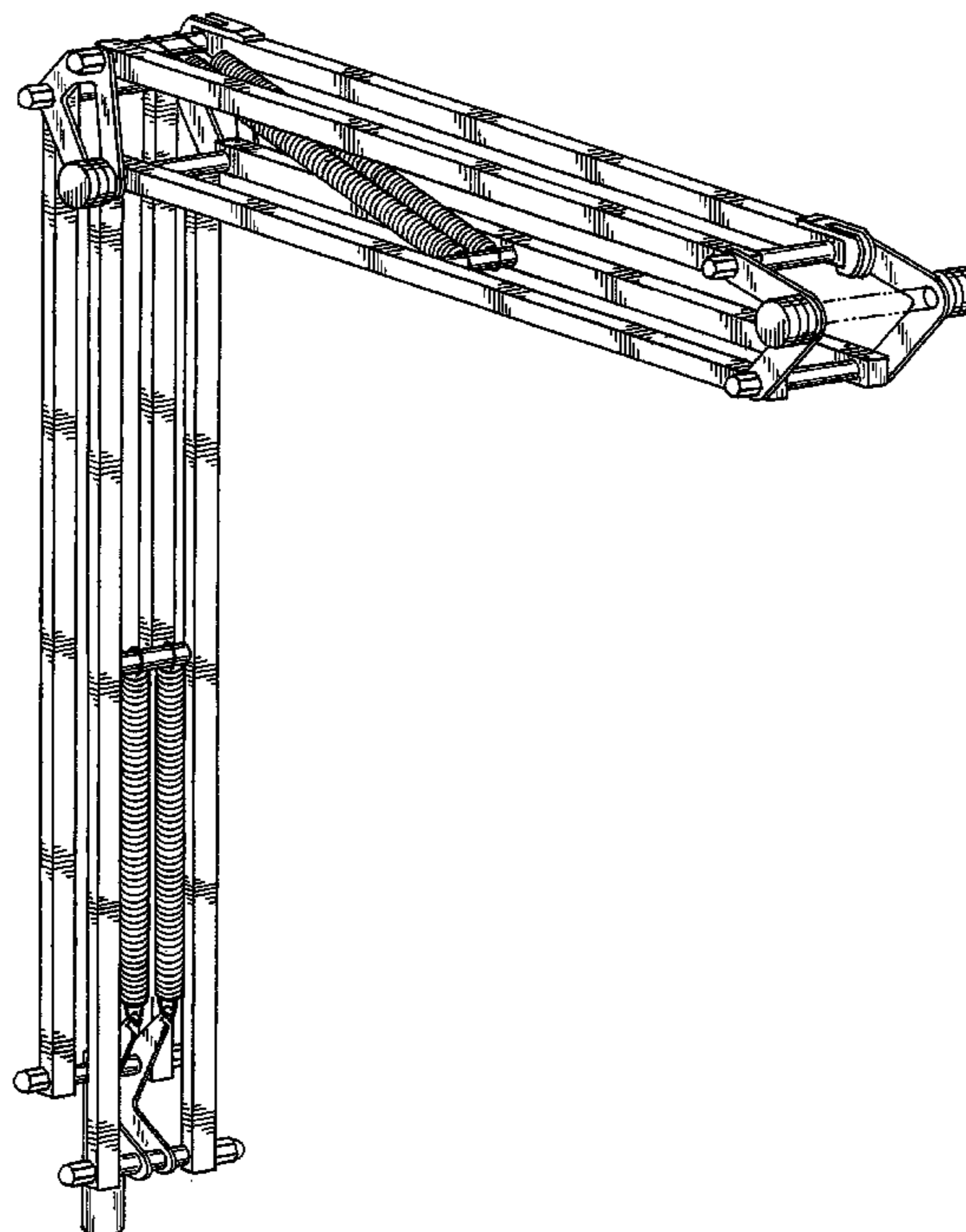
(57) **CLAIM**

The ornamental design for an adjustable support arm for lamps or the like, as shown and described.

DESCRIPTION

FIG. 1 is a top, front right side perspective view of an adjustable support arm for lamps or the like showing my new design;
FIG. 2 is a front elevational view thereof;
FIG. 3 is a rear elevational view thereof;
FIG. 4 is a left plan view thereof;
FIG. 5 is right plan view thereof;
FIG. 6 is a top plan view thereof; and,
FIG. 7 is a bottom plan view thereof.
The phantom lines shown in FIG. 1, FIG. 6, and FIG. 7 are for illustrative purposes only and form no part of the claimed design.

1 Claim, 5 Drawing Sheets



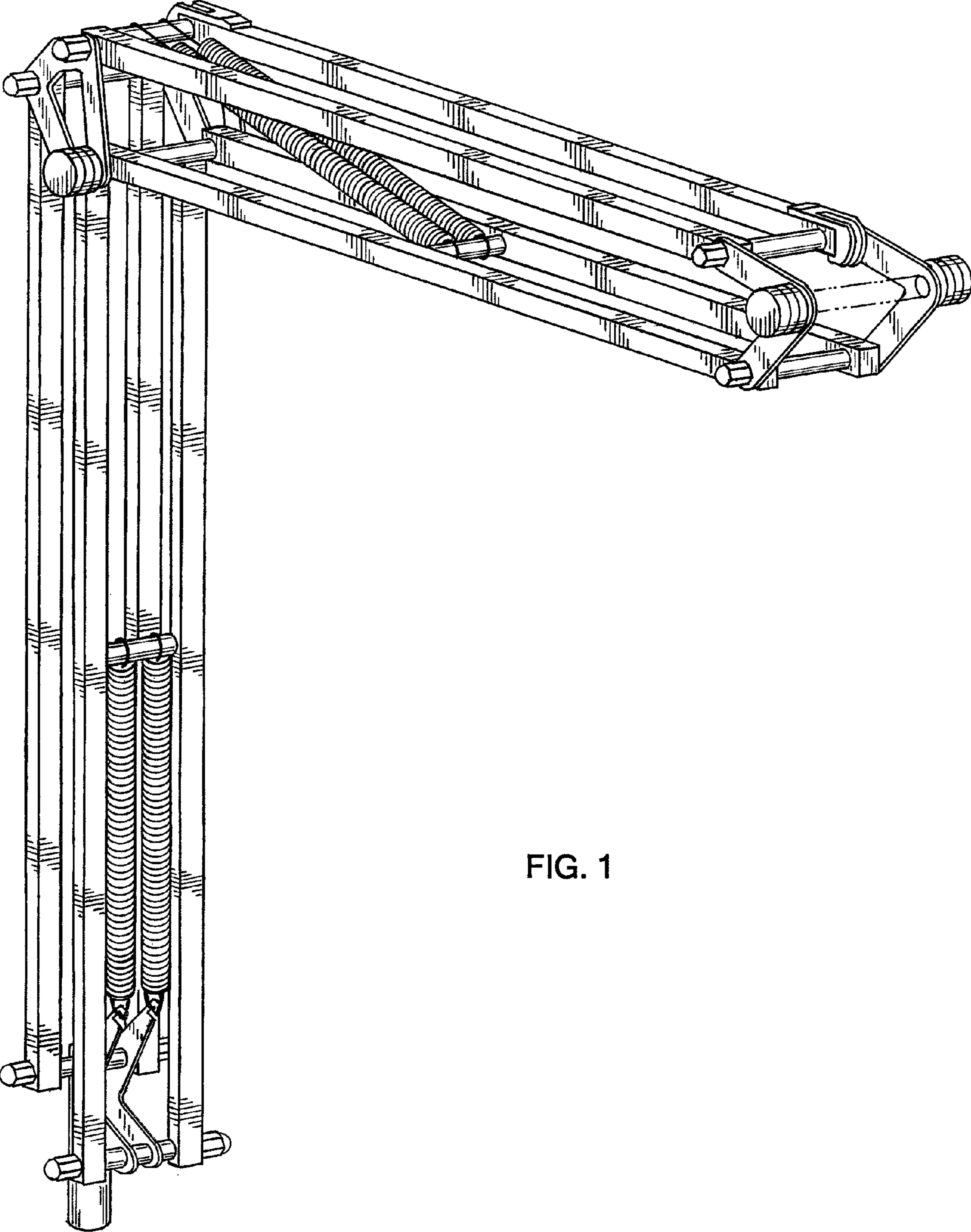


FIG. 1

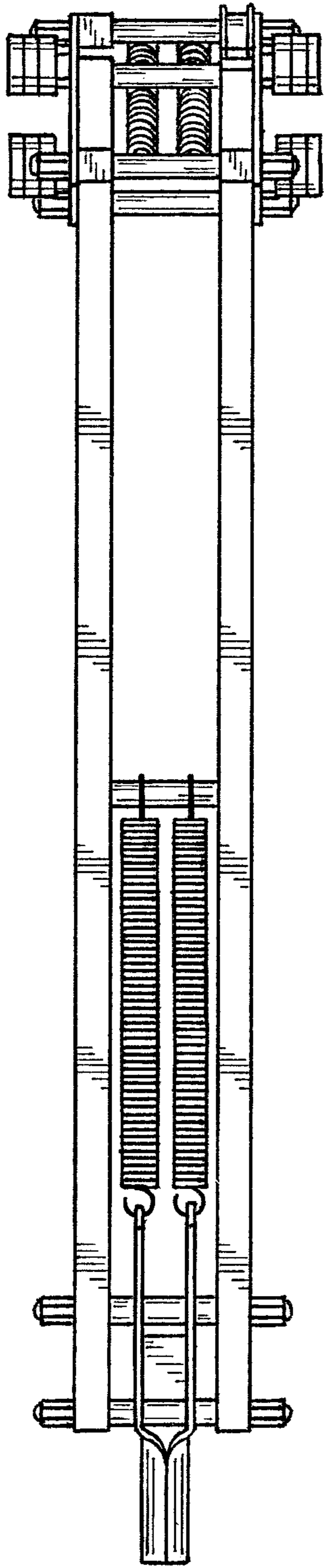


FIG. 2

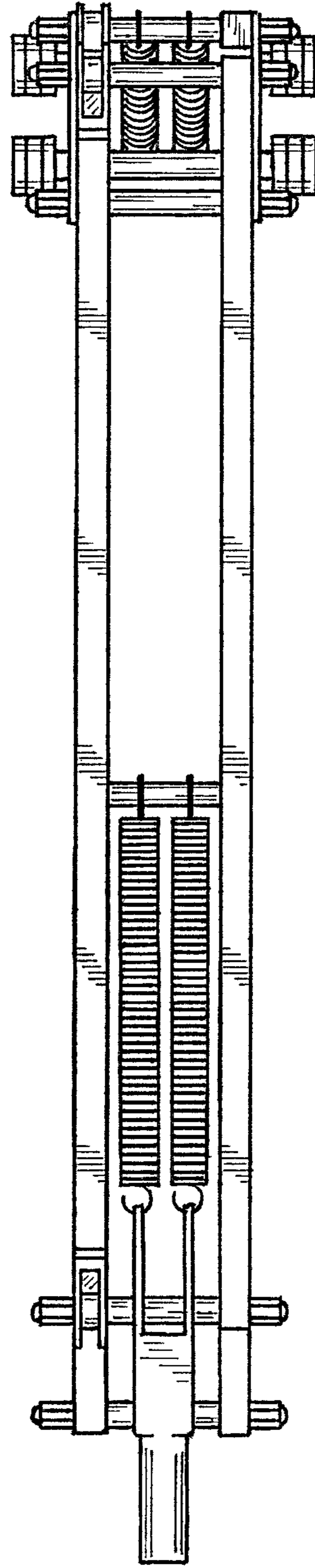


FIG. 3

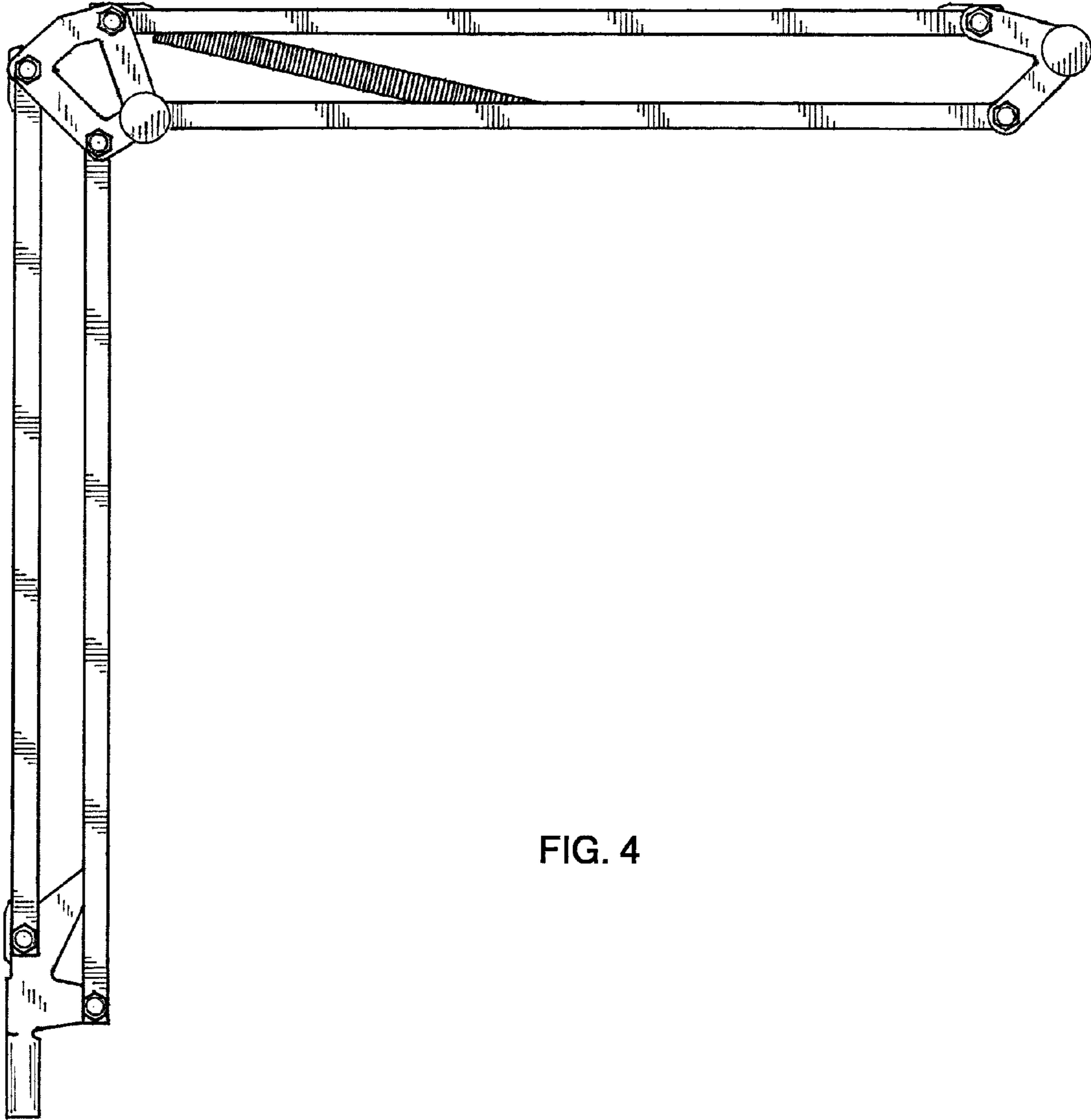


FIG. 4

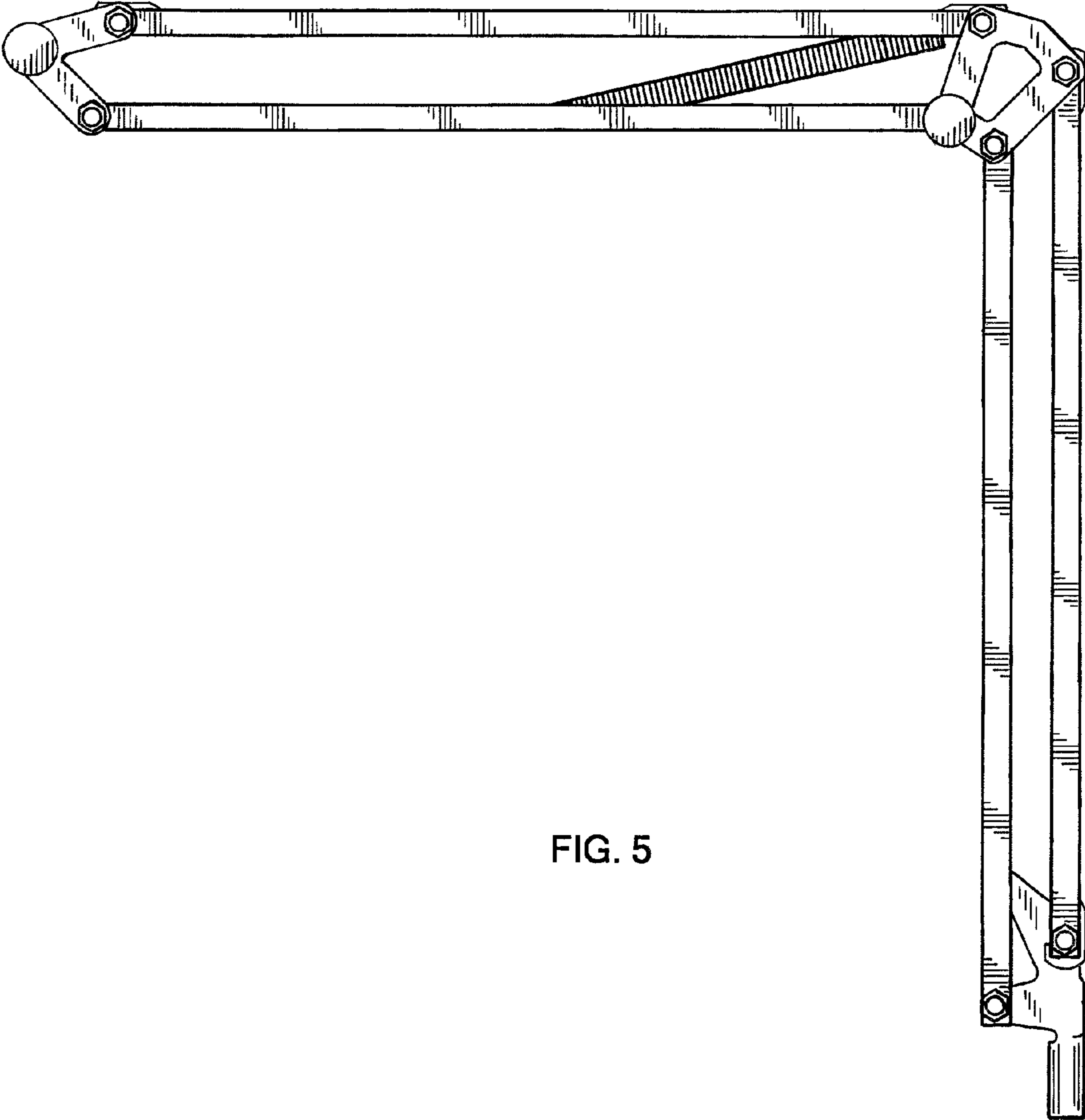


FIG. 5

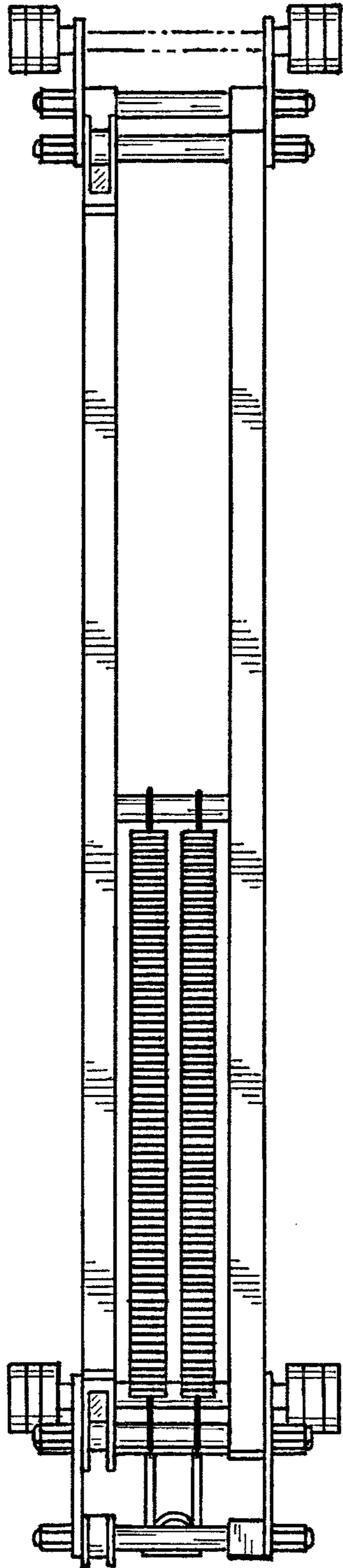


FIG. 6

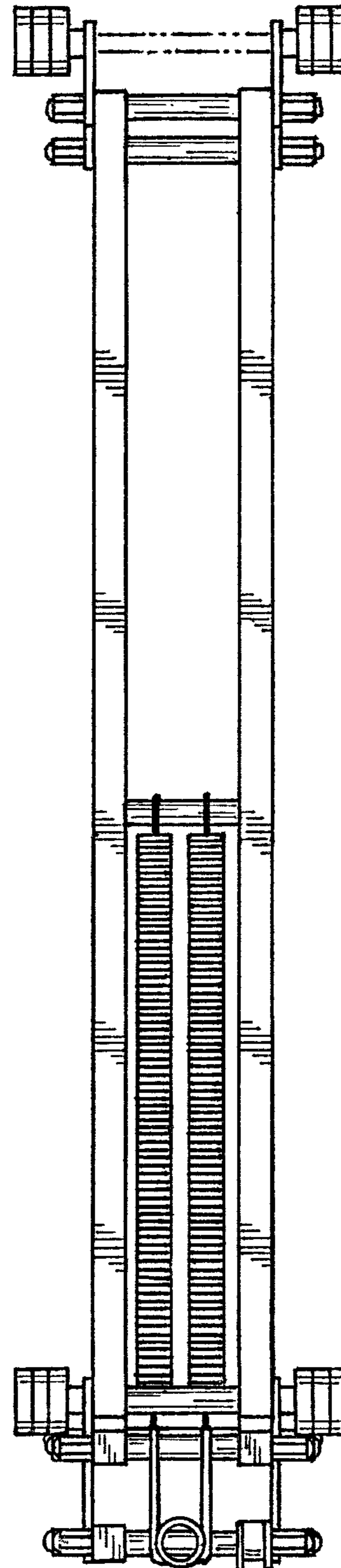


FIG. 7