



US00D698481S

(12) **United States Design Patent**
Wasserman et al.

(10) **Patent No.:** **US D698,481 S**

(45) **Date of Patent:** **** Jan. 28, 2014**

(54) **WALL AND CEILING FIXTURE**

(71) Applicant: **M.N. Wasserman Ltd.**, Tel Aviv (IL)

(72) Inventors: **Immanuel Wasserman**, Tel Aviv (IL);
Nurit Wasserman, Tel Aviv (IL)

(73) Assignee: **M.N. Wasserman Ltd.**, Tel Aviv (IL)

(**) Term: **14 Years**

(21) Appl. No.: **29/461,492**

(22) Filed: **Jul. 24, 2013**

(30) **Foreign Application Priority Data**

Jan. 24, 2013 (EM) 002171868

(51) **LOC (10) Cl.** **26-99**

(52) **U.S. Cl.**
USPC **D26/120**

(58) **Field of Classification Search**

USPC D26/152, 113, 118, 119, 154, 61, 62,
D26/65, 75, 16, 1, 2, 3, 120, 138, 128, 155,
D26/76, 121, 124, 125, 123, 141, 142, 66,
D26/68, 86, 71, 72, 77, 78, 151, 145, 74, 85,
D26/89, 82, 84, 92, 87, 136, 63, 59, 58, 28,
D26/88, 11, 9, 22, 81, 127, 129, 130, 131,
D26/133, 134, 135, 55; D13/179, 180;
362/219, 223, 225, 347, 346, 373, 326,
362/283, 249.02, 362, 374, 375, 408, 327,
362/328, 404, 297, 147, 149, 249.03,
362/249.11; D23/377, 411, 413; D11/89,
D11/90

See application file for complete search history.

(56) **References Cited**

U.S. PATENT DOCUMENTS

D143,156 S * 12/1945 Hurley D11/69
D182,991 S * 6/1958 Deaton D26/121
D206,283 S * 11/1966 High D26/122
D246,203 S * 10/1977 Harris D26/80

(Continued)

Primary Examiner — Kevin Rudzinski

(74) *Attorney, Agent, or Firm* — Vorys, Sater, Seymour and Pease LLP; Susanne M. Hopkins; William L. Klima

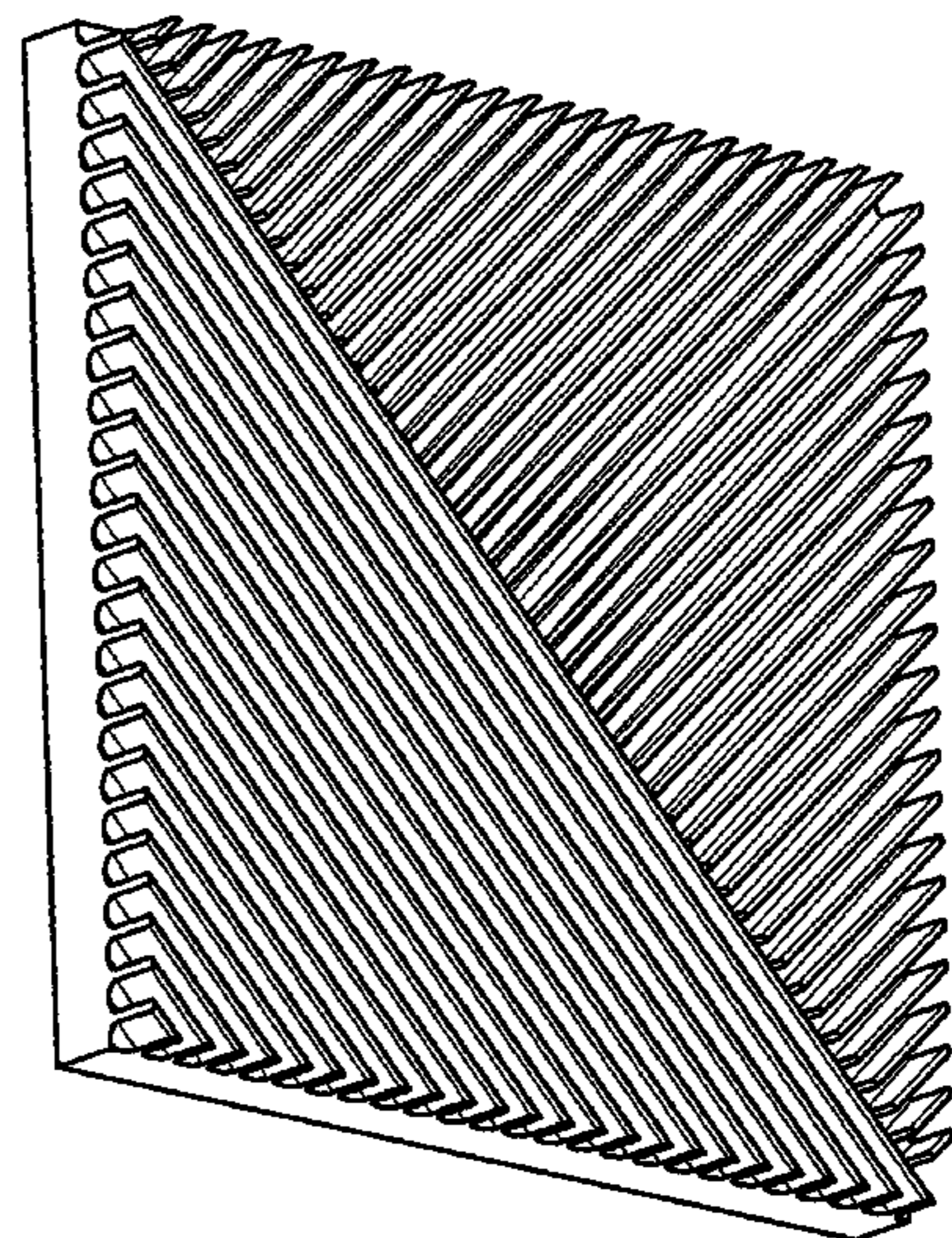
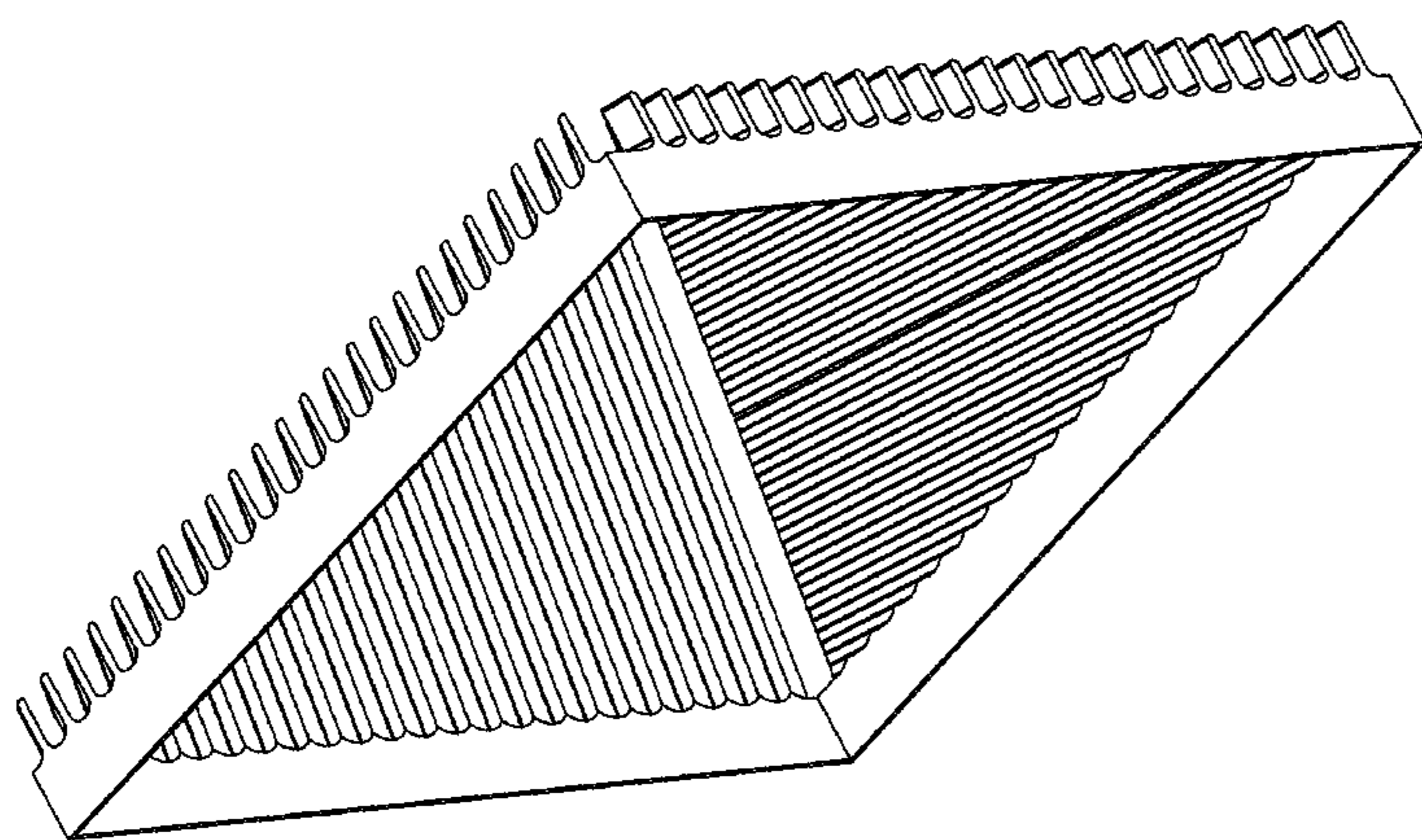
(57) **CLAIM**

The ornamental design for a wall and ceiling fixture, as shown and described.

DESCRIPTION

FIG. 1 is a top and rear perspective view of the wall and ceiling fixture,
FIG. 2 is a top and left-side perspective view thereof,
FIG. 3 is a top and front perspective view thereof,
FIG. 4 is a bottom and left-side perspective view thereof,
FIG. 5 is another top and left-side perspective view thereof,
FIG. 6 is a bottom and right-side perspective view thereof,
FIG. 7 is a top planar view thereof,
FIG. 8 is a front elevational view thereof,
FIG. 9 is a left-side elevational view thereof,
FIG. 10 is a bottom planar view thereof,
FIG. 11 is a bottom and rear perspective view thereof,
FIG. 12 is a right-side perspective view thereof,
FIG. 13 is a front perspective view thereof,
FIG. 14 is a rear and right-side perspective view thereof,
FIG. 15 is a left-side perspective view thereof,
FIG. 16 is a rear and left-side perspective view thereof,
FIG. 17 is a front and right-side perspective view thereof; and,
FIG. 18 is a front perspective view thereof.

1 Claim, 18 Drawing Sheets



(56)

References Cited

U.S. PATENT DOCUMENTS

D429,895	S *	8/2000	Bravenec et al.	D5/99	7,607,803	B2 *	10/2009	Zhang et al.	362/294
D467,028	S *	12/2002	Okano	D26/120	D607,143	S *	12/2009	Sugishita et al.	D26/121
6,523,980	B2 *	2/2003	Sejkora et al.	362/339	D607,915	S *	1/2010	Fong	D16/237
D476,958	S *	7/2003	Tsai	D13/179	D608,806	S *	1/2010	Chern et al.	D16/101
D491,260	S *	6/2004	Luo	D23/411	D611,077	S *	3/2010	Chern et al.	D16/101
D515,715	S *	2/2006	Egawa	D26/1	7,744,258	B2 *	6/2010	Liu et al.	362/373
D517,725	S *	3/2006	Egawa et al.	D26/122	7,753,568	B2 *	7/2010	Hu et al.	362/373
7,093,952	B2 *	8/2006	Ono et al.	362/194	7,859,611	B2 *	12/2010	Jang et al.	349/64
D532,148	S *	11/2006	Matsui et al.	D26/138	7,983,043	B2 *	7/2011	Xu et al.	361/700
7,152,666	B2 *	12/2006	Chen et al.	165/80.3	7,997,762	B2 *	8/2011	Wang et al.	362/249.02
7,236,366	B2 *	6/2007	Chen	361/709	2005/0099815	A1 *	5/2005	Kim et al.	362/339
D565,754	S *	4/2008	Uemoto et al.	D26/24	2008/0232132	A1 *	9/2008	Graf et al.	362/608
D593,512	S *	6/2009	Lin	D13/179	2008/0239204	A1 *	10/2008	Lee et al.	349/65
						2008/0295993	A1 *	12/2008	Chen et al.	165/80.3
						2009/0128914	A1 *	5/2009	Lee et al.	359/599
						2009/0323347	A1 *	12/2009	Zhang et al.	362/294

* cited by examiner

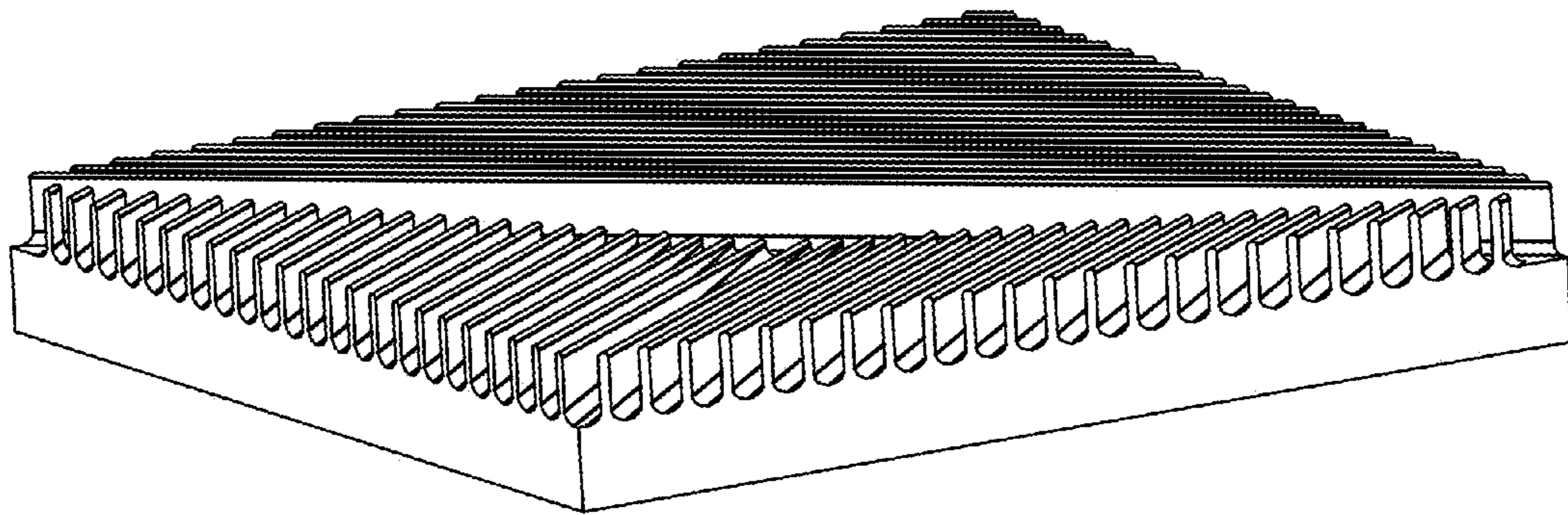


Fig. 1

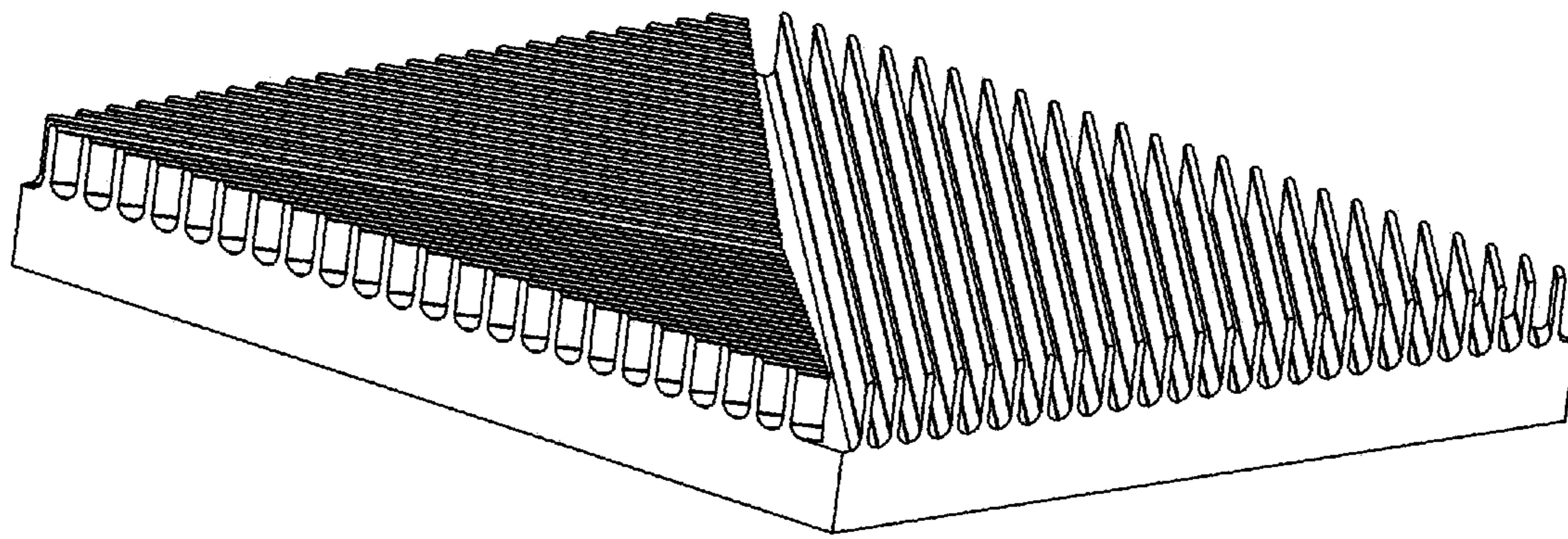


Fig. 2



Fig. 3

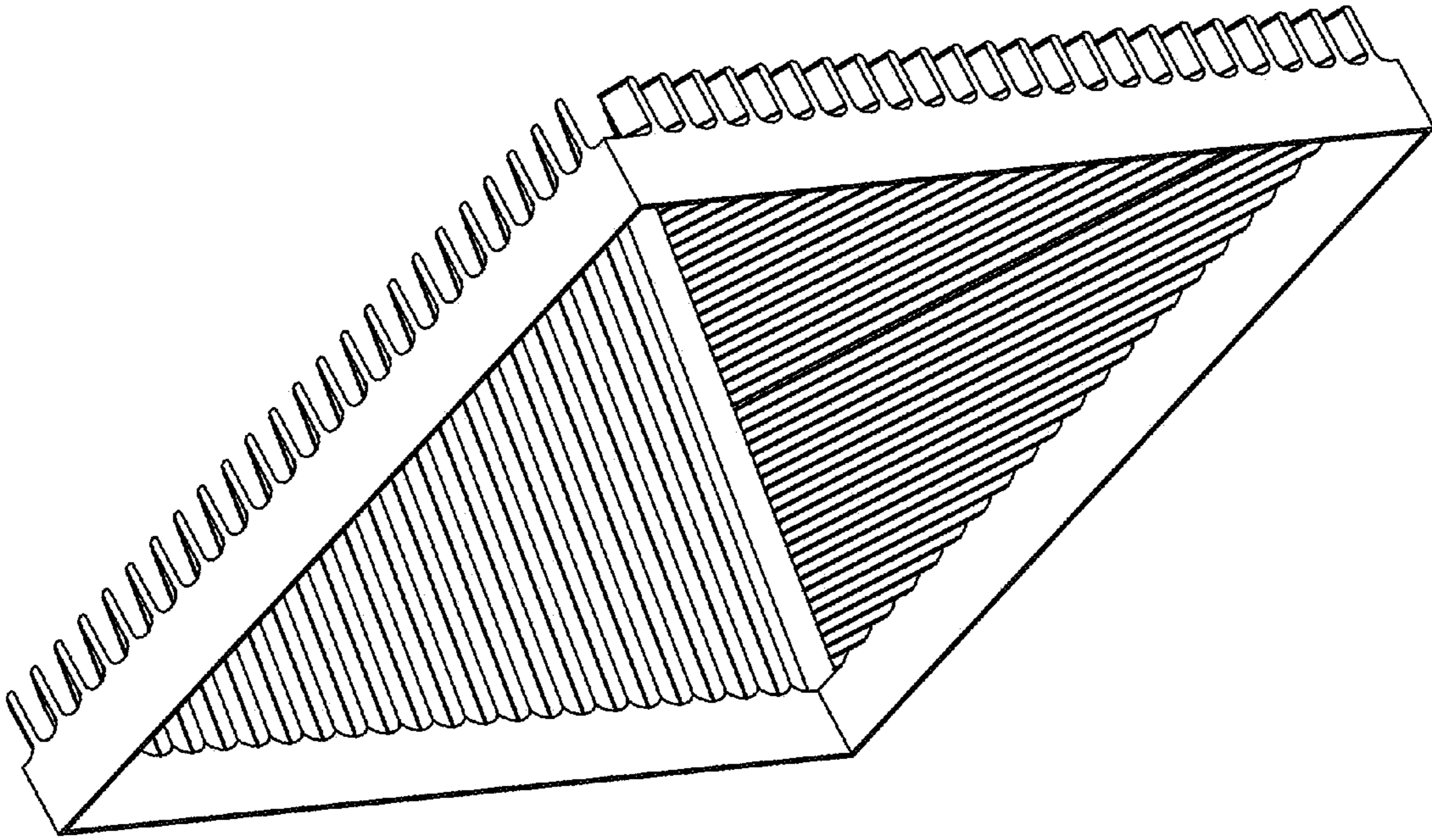


Fig. 4

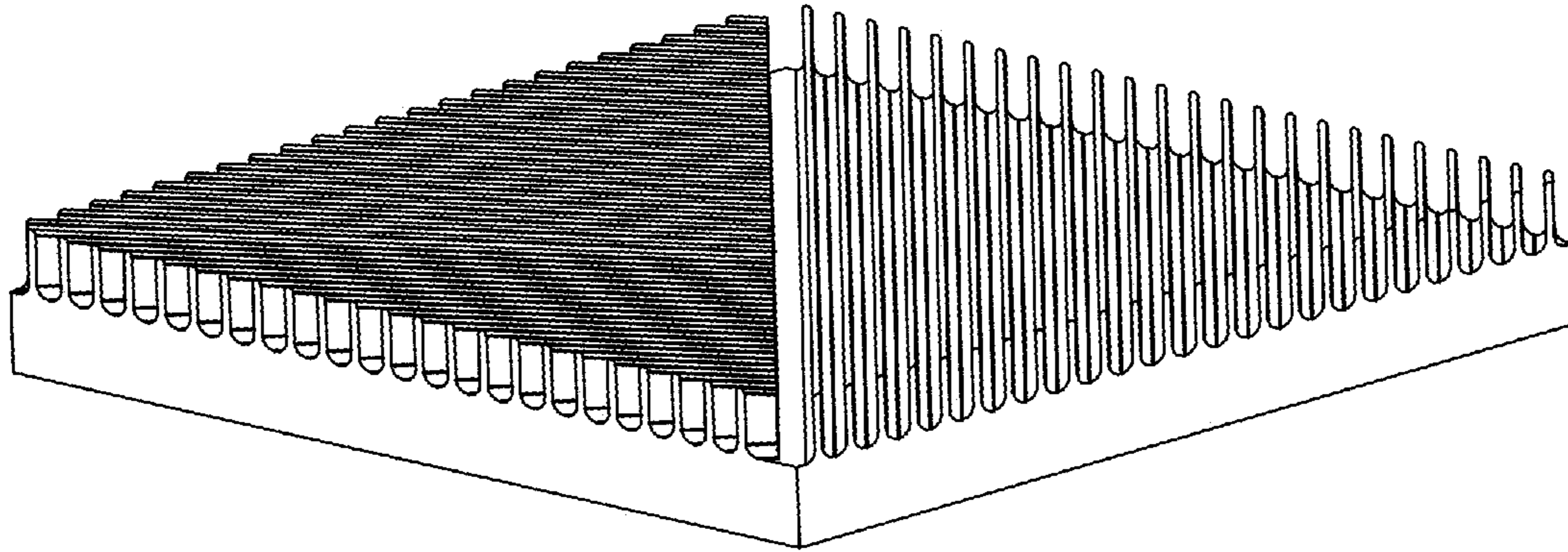


Fig. 5

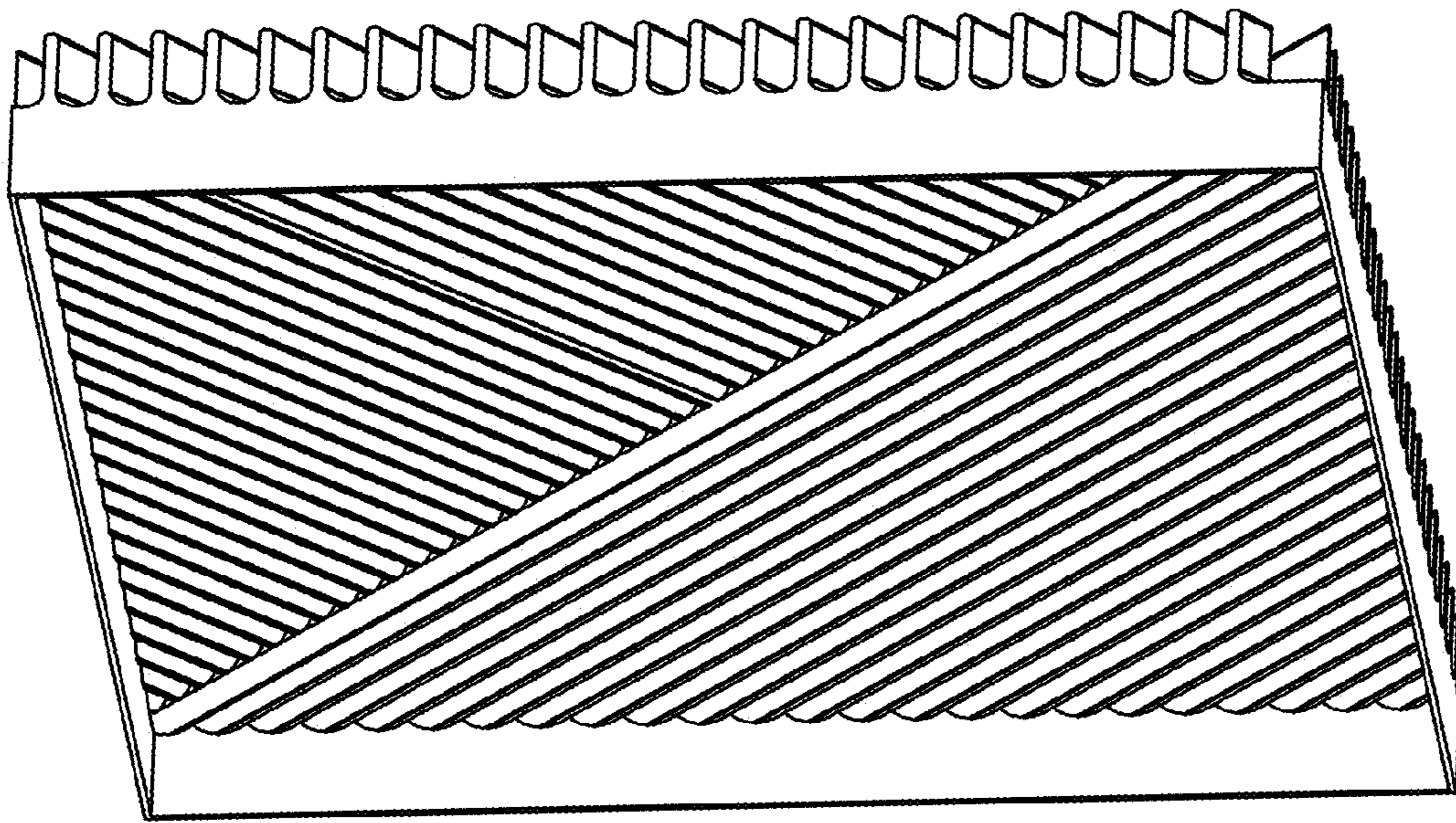


Fig. 6

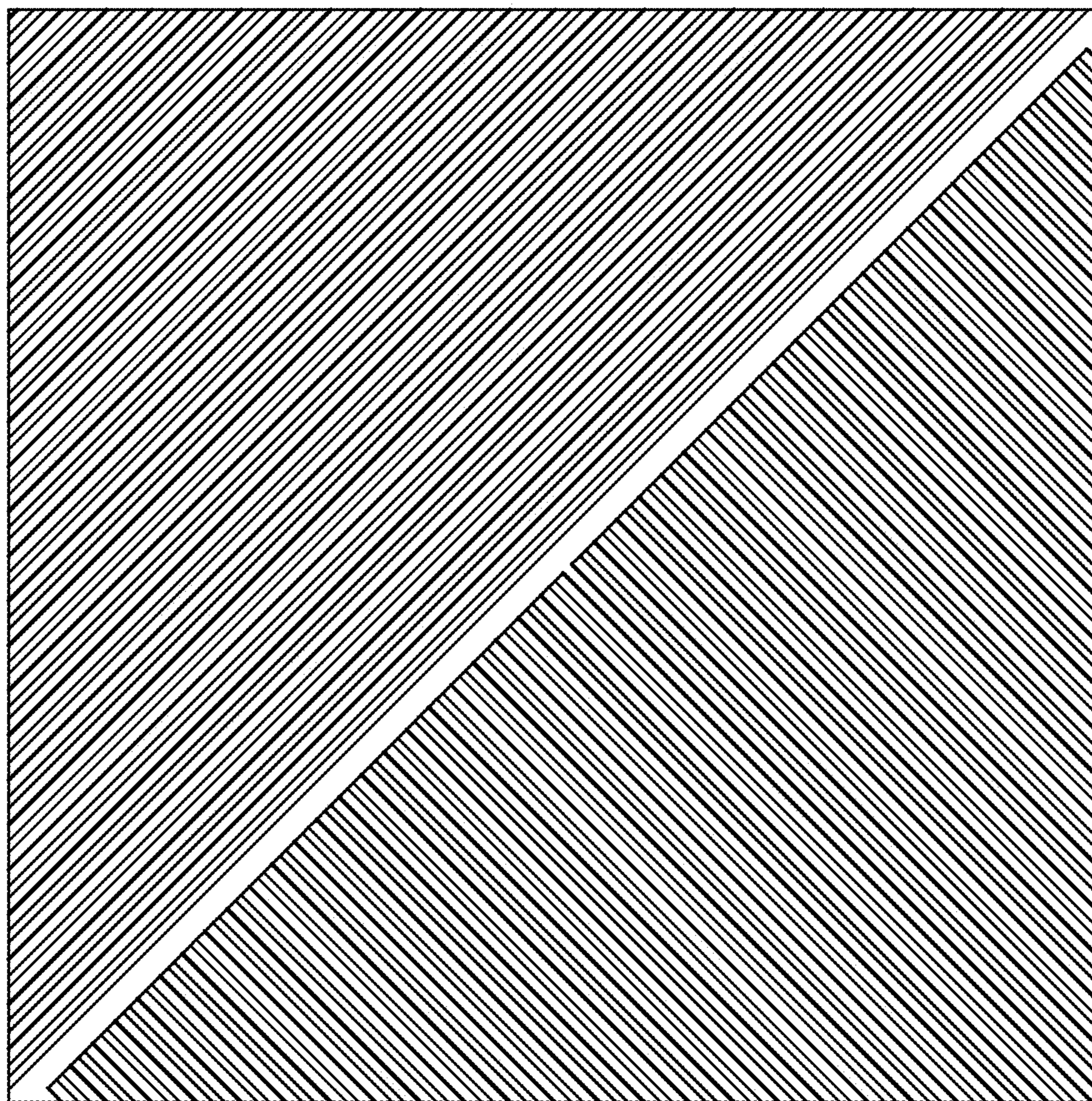


Fig. 7



Fig. 8



Fig. 9

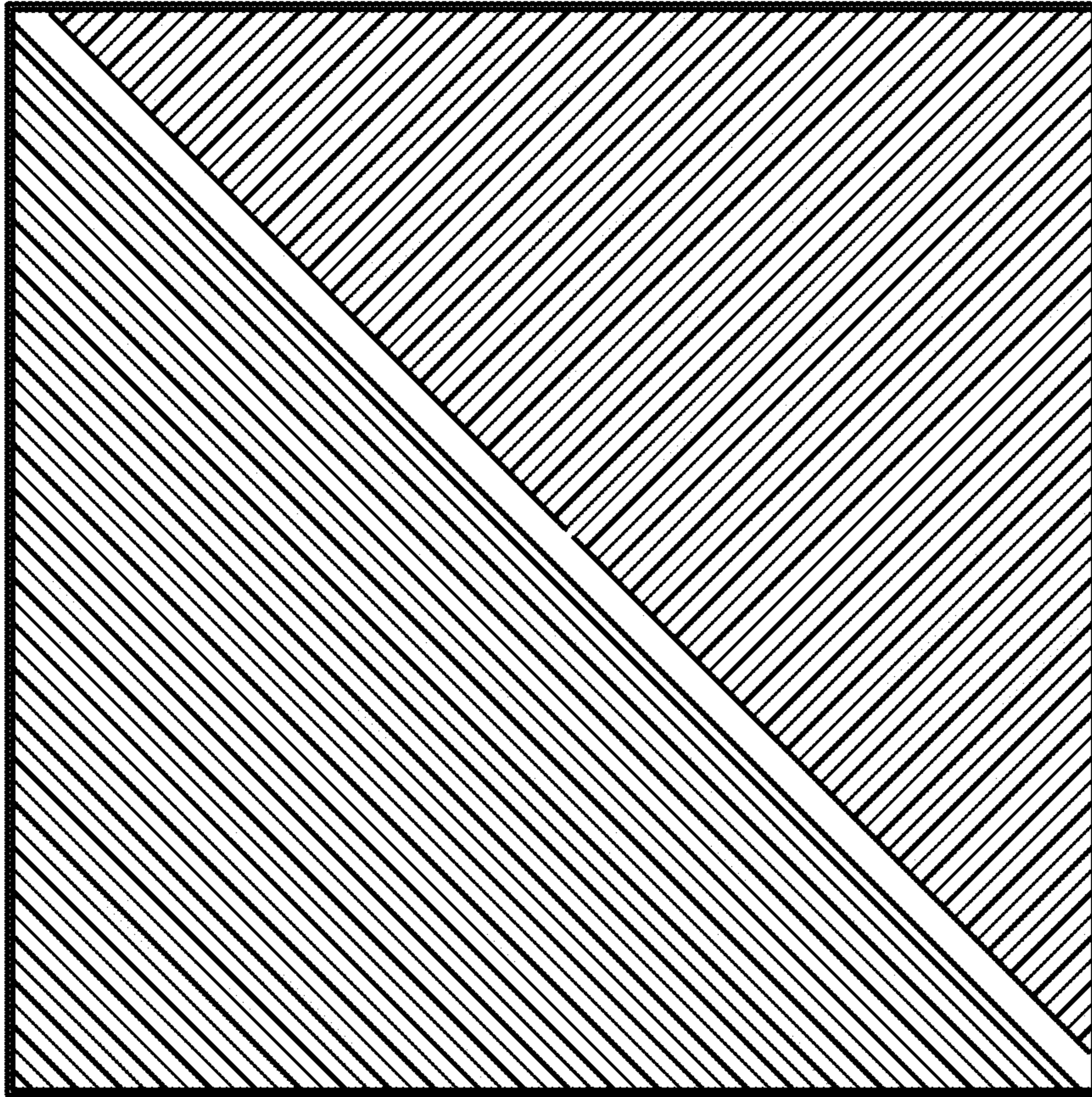


Fig. 10

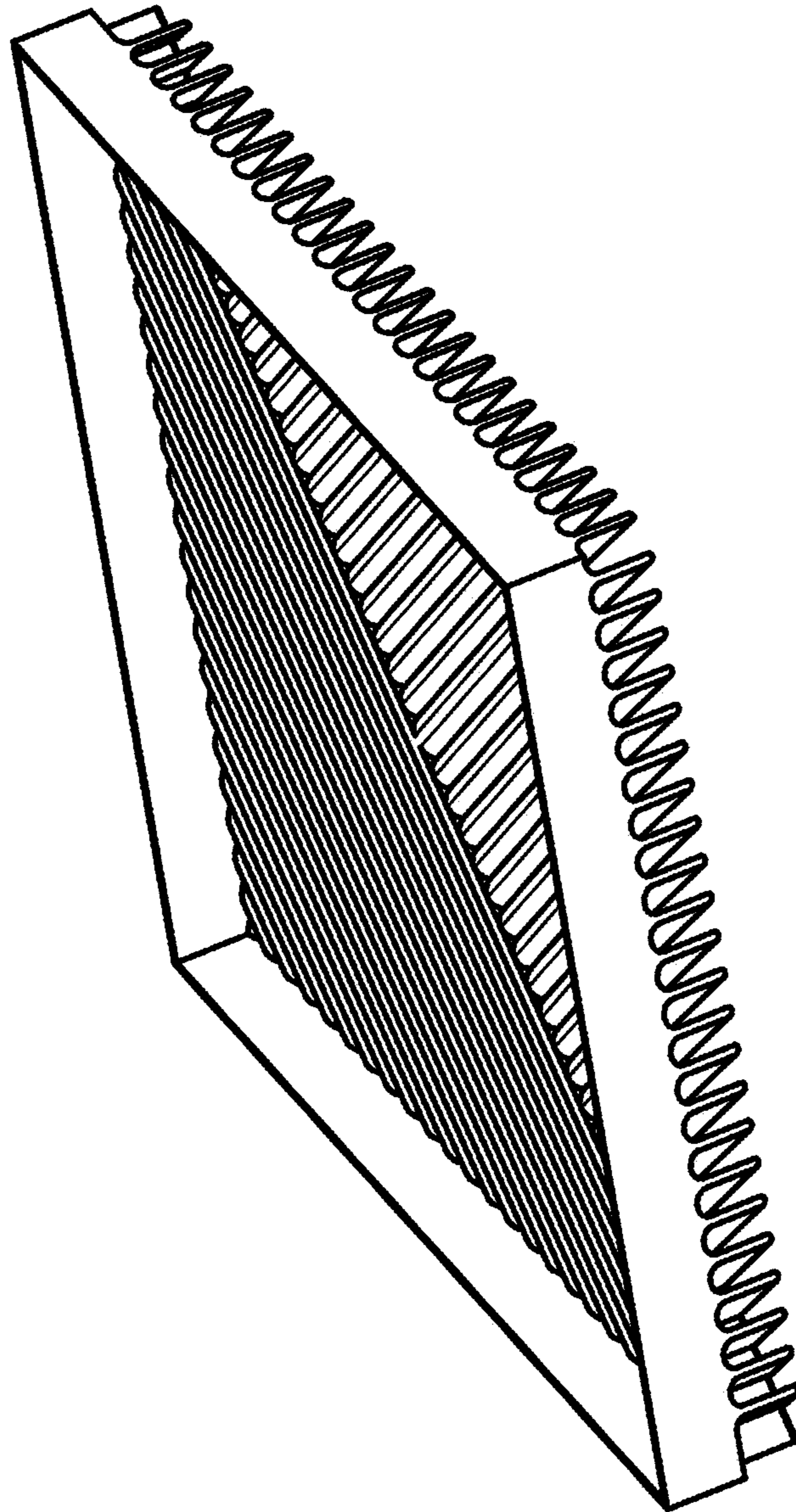


Fig. 11

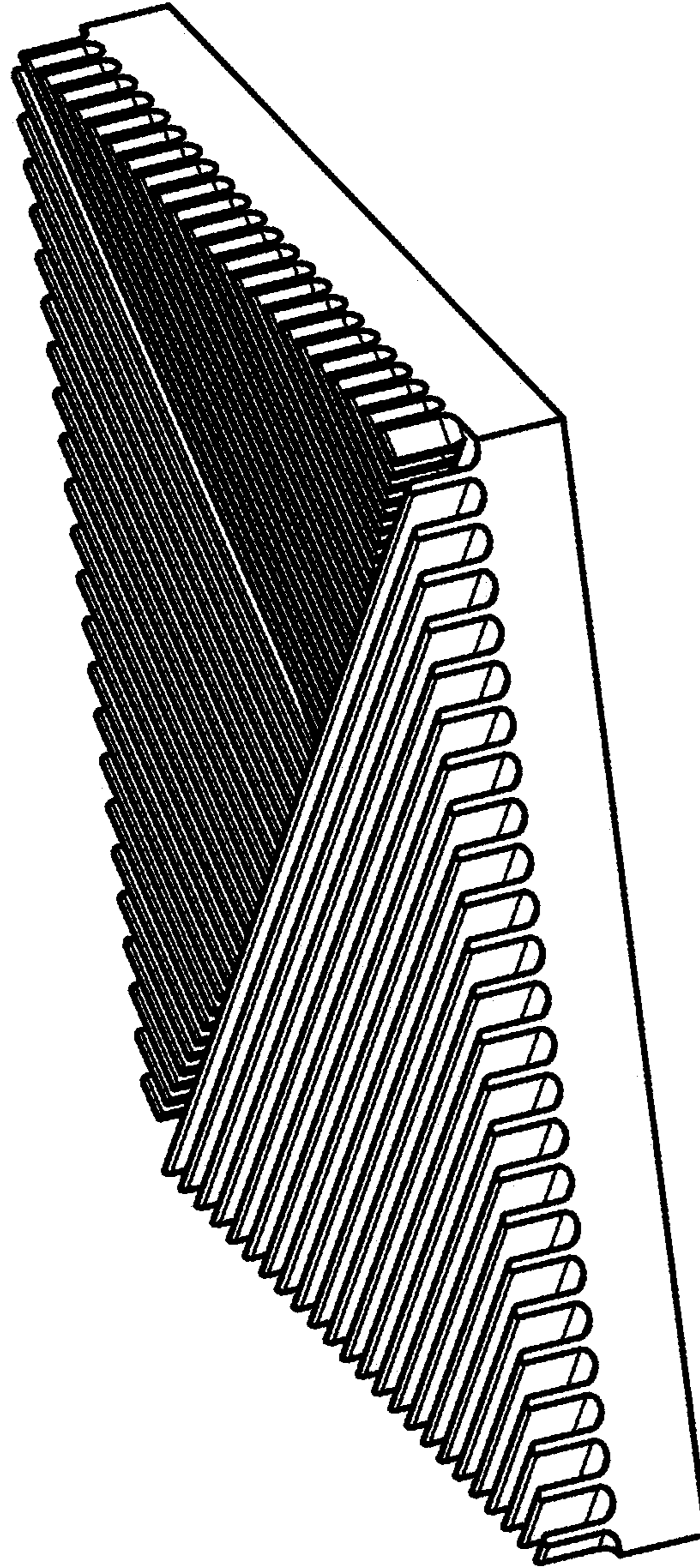


Fig. 12

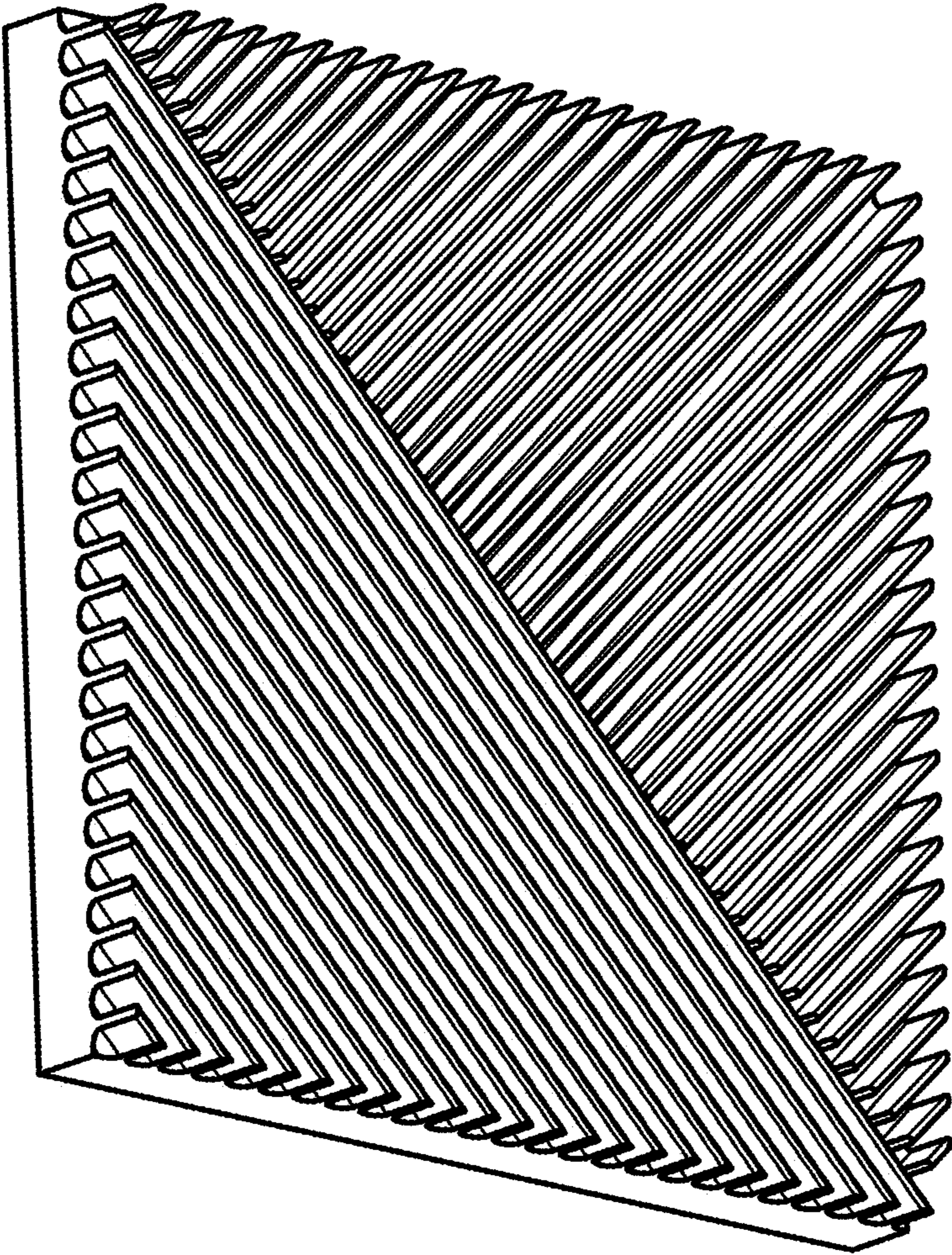


Fig. 13

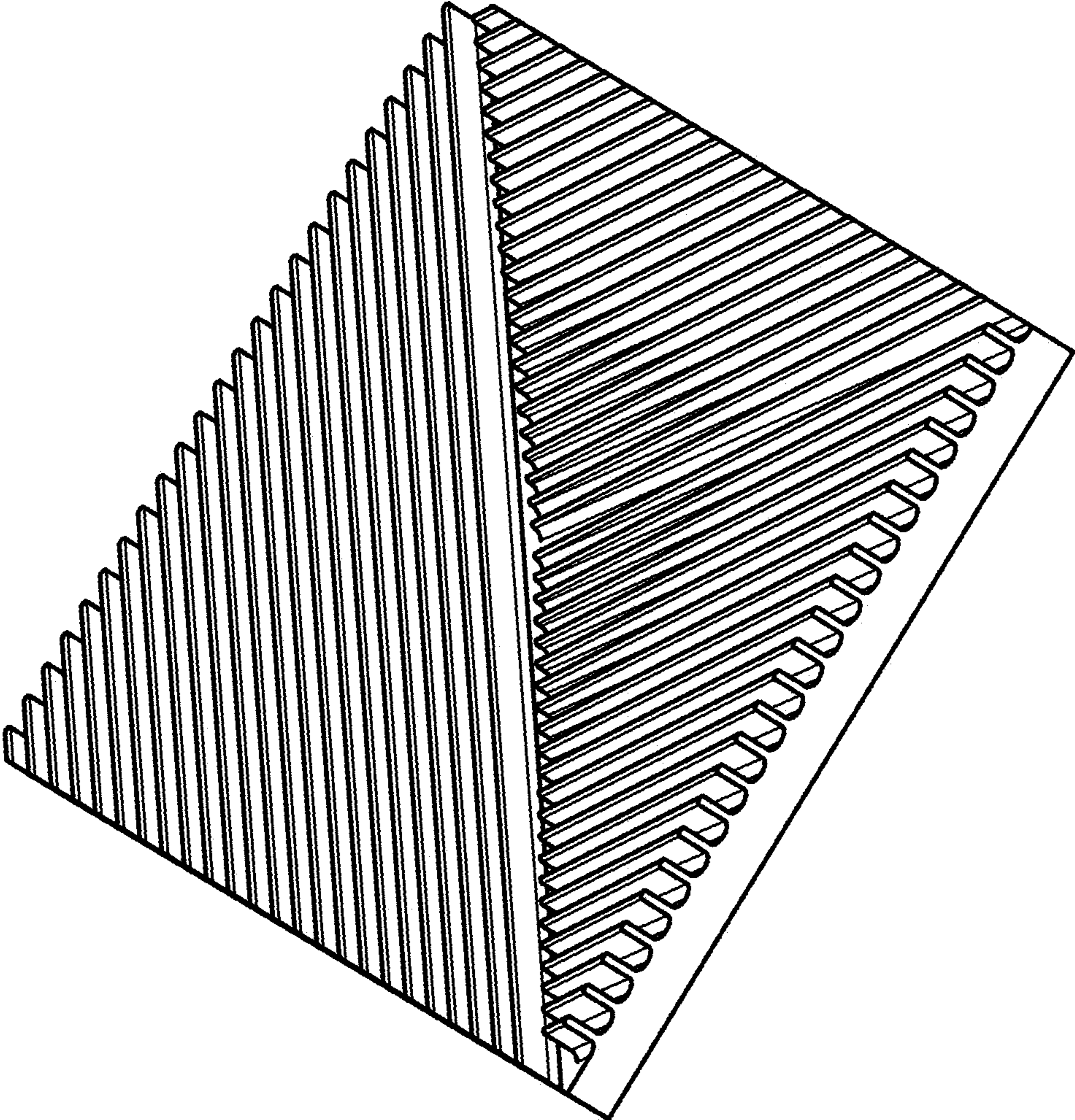


Fig. 14

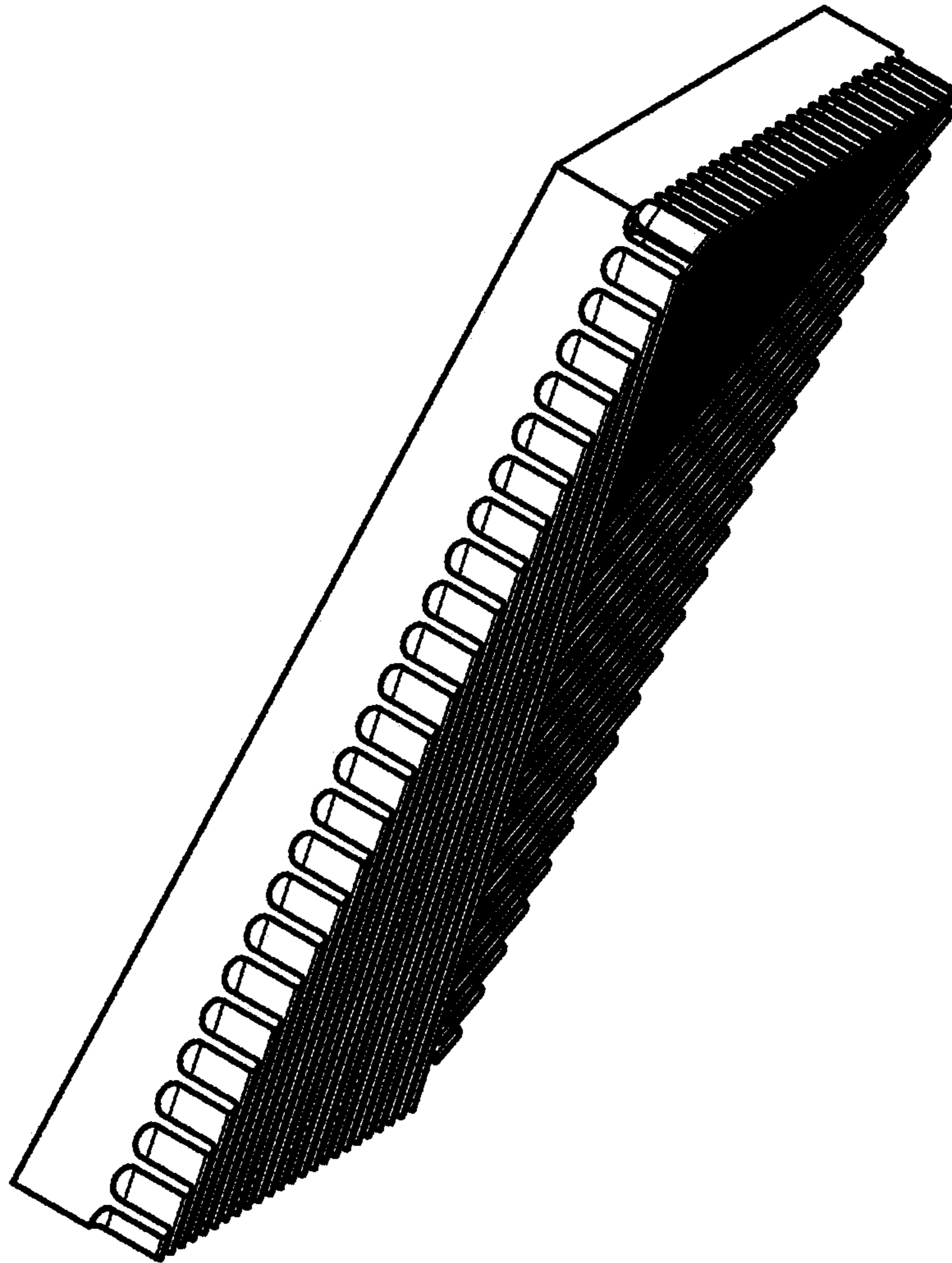


Fig. 15

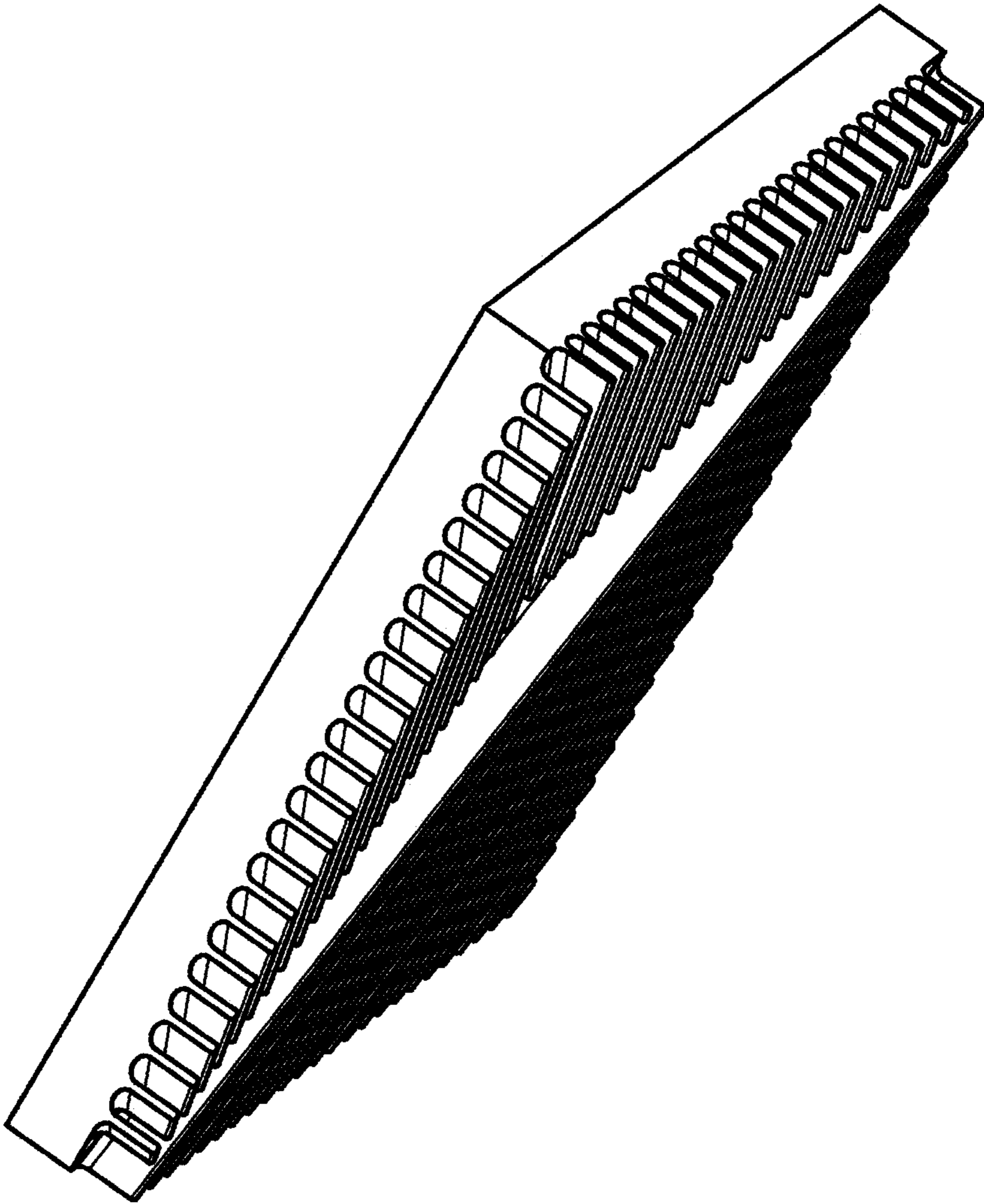


Fig. 16

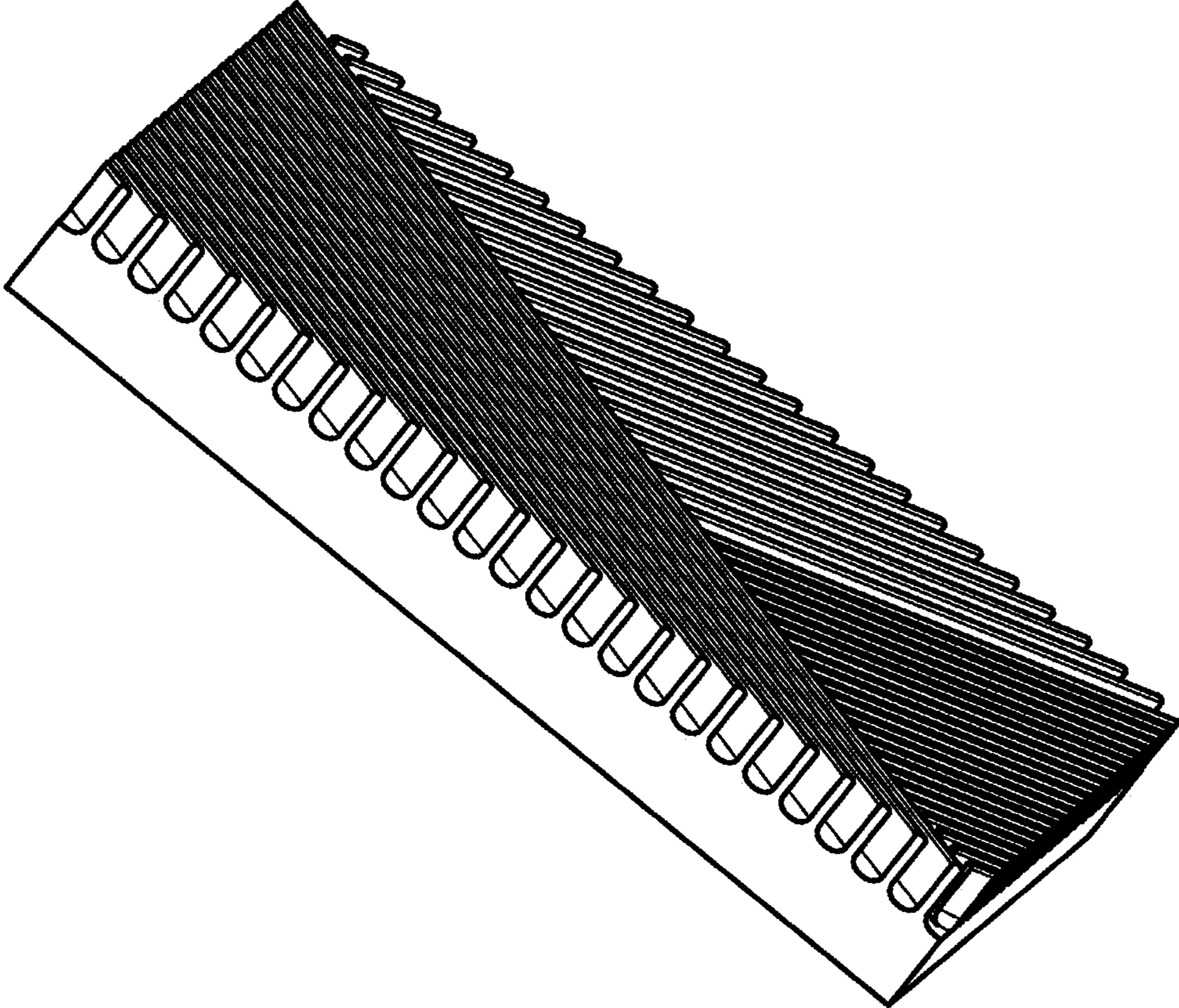


Fig. 17

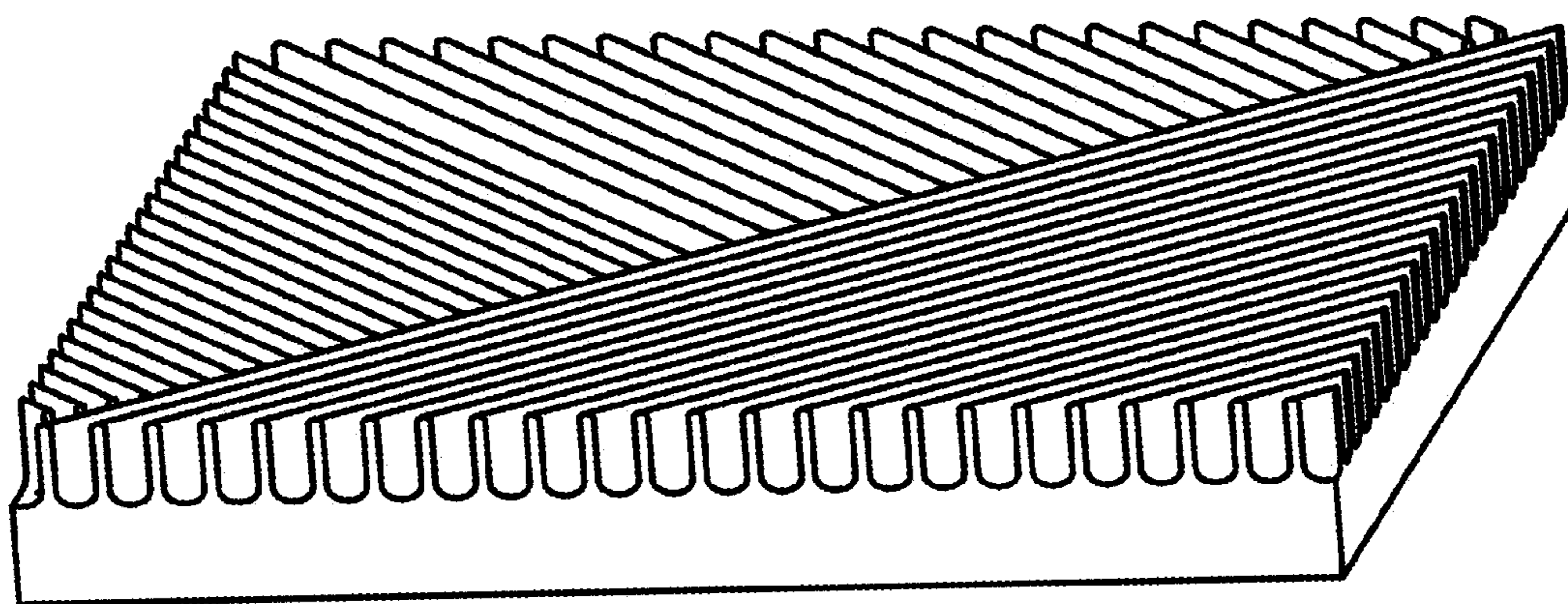


Fig. 18