



US00D698479S

(12) **United States Design Patent**
Soni

(10) **Patent No.:** **US D698,479 S**
(45) **Date of Patent:** **** Jan. 28, 2014**

(54) **STREET LIGHT**

(71) Applicant: **Photoquip India Ltd.**, Mumbai (IN)

(72) Inventor: **Vimal Soni**, Mumbai (IN)

(73) Assignee: **Photoquip India Ltd.**, Mumbai (IN)

(**) Term: **14 Years**

(21) Appl. No.: **29/438,956**

(22) Filed: **Dec. 5, 2012**

(30) **Foreign Application Priority Data**

Sep. 10, 2012 (IN) 247761

(51) **LOC (10) Cl.** **26-05**

(52) **U.S. Cl.**
USPC **D26/71**

(58) **Field of Classification Search**
USPC D26/63, 67-72, 92; 362/183, 294, 373,
362/431

See application file for complete search history.

(56) **References Cited**

U.S. PATENT DOCUMENTS

D195,583 S * 7/1963 Phillips D26/71
D203,065 S * 11/1965 Izzi et al. D26/71

D437,958 S * 2/2001 Doron et al. D26/71
D556,935 S * 12/2007 Quioque et al. D26/71
D609,384 S * 2/2010 Gray et al. D26/71
D660,496 S * 5/2012 Akdag et al. D26/71
D676,174 S * 2/2013 Akinrele et al. D26/71
D676,177 S * 2/2013 Akinrele et al. D26/71
D676,178 S * 2/2013 Akinrele et al. D26/71
8,366,299 B2 * 2/2013 Lim et al. 362/267
8,403,528 B2 * 3/2013 Bacon 362/241
8,408,737 B2 * 4/2013 Wright et al. 362/247
D688,404 S * 8/2013 Boissevain et al. D26/71

* cited by examiner

Primary Examiner — Clare E Heflin

(74) *Attorney, Agent, or Firm* — Notaro, Michalos & Zaccaria P.C.

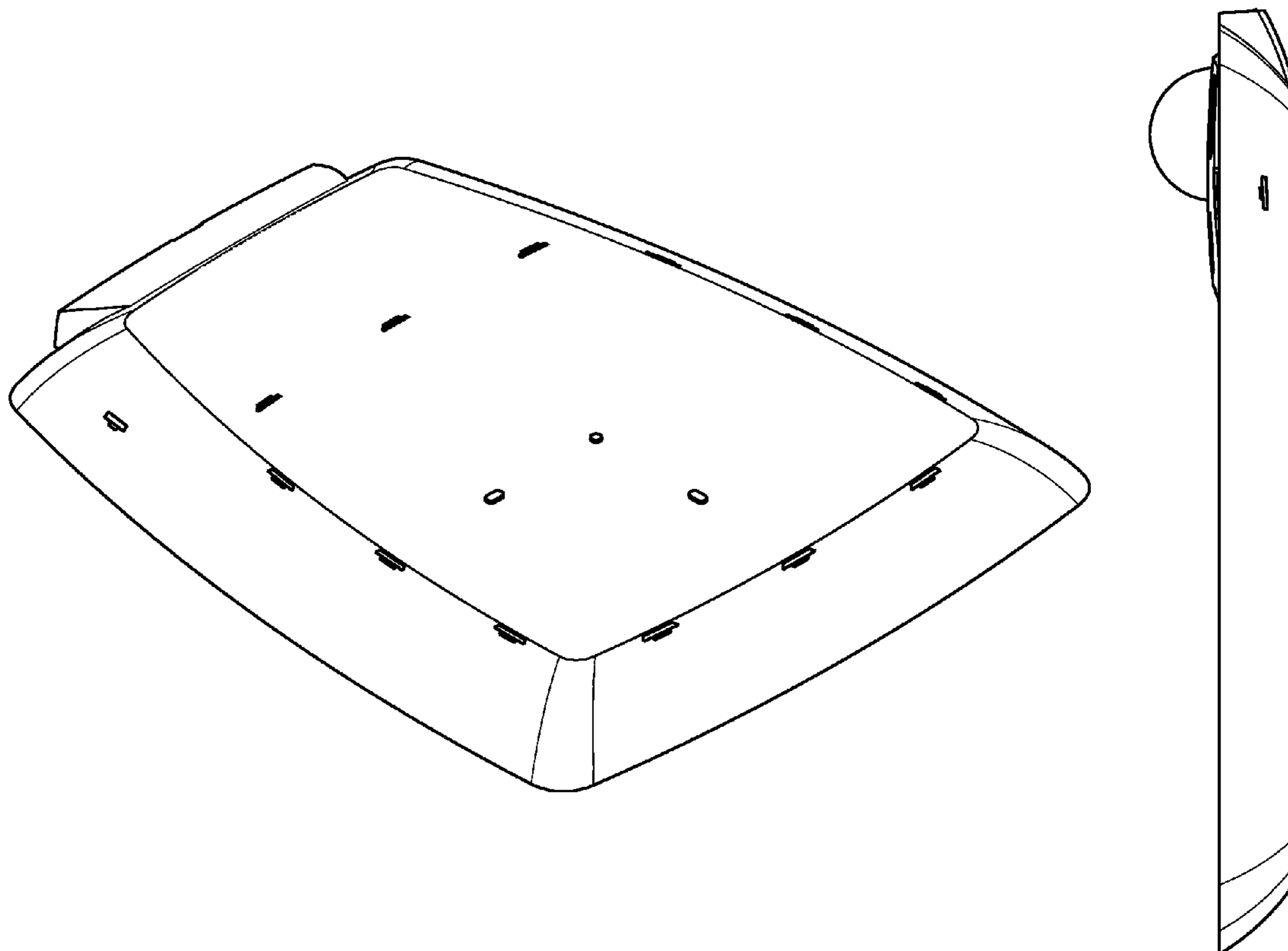
(57) **CLAIM**

The ornamental design for a street light, as shown and described.

DESCRIPTION

FIG. 1 is a top, right, front perspective view of a street light showing my design therefor;
FIG. 2 is a bottom, front, left perspective view thereof;
FIG. 3 is a front elevational view thereof;
FIG. 4 is a top plan view thereof;
FIG. 5 is a side elevational view thereof, the opposite side being the same; and,
FIG. 6 is a bottom plan view thereof.

1 Claim, 4 Drawing Sheets



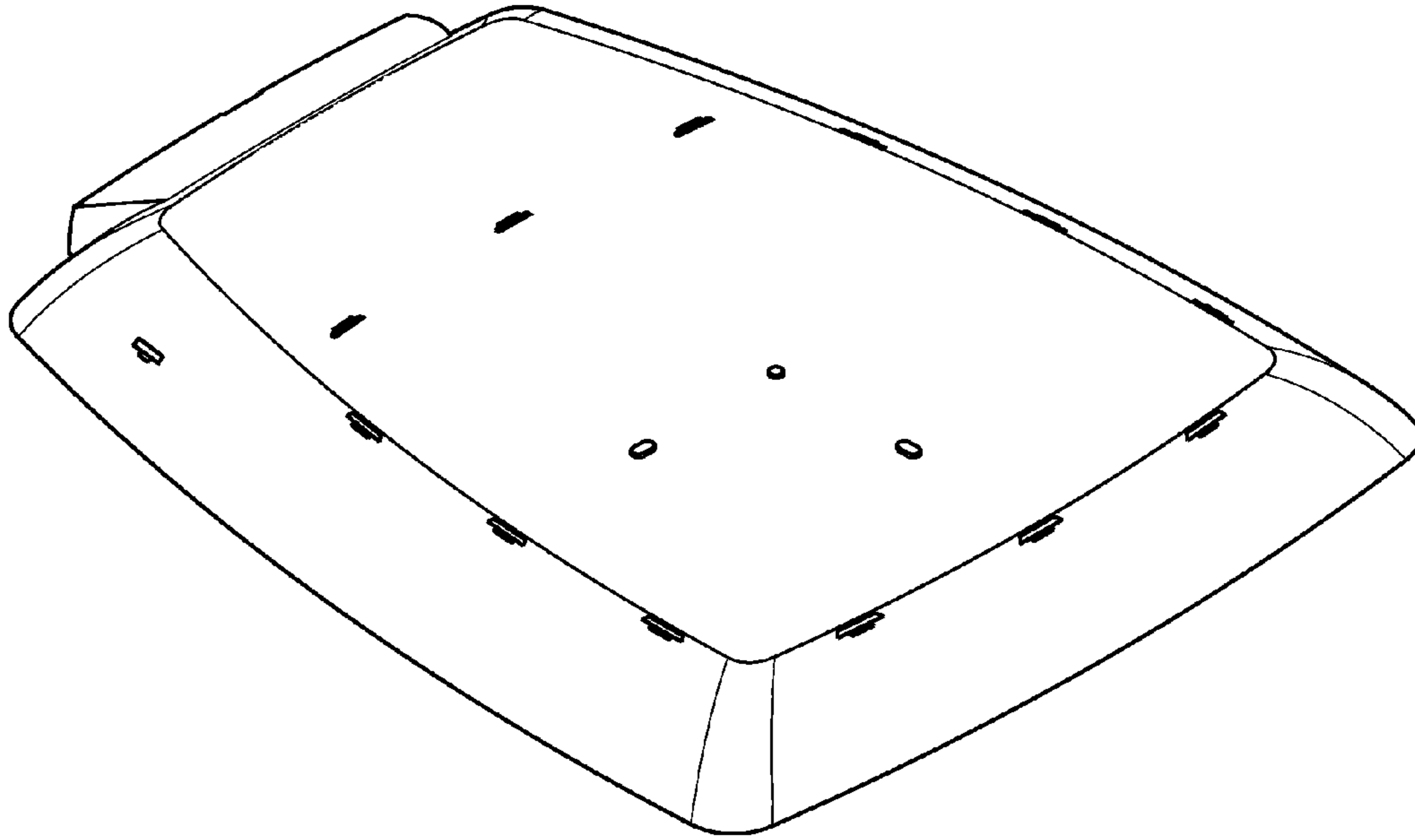


FIG. 1

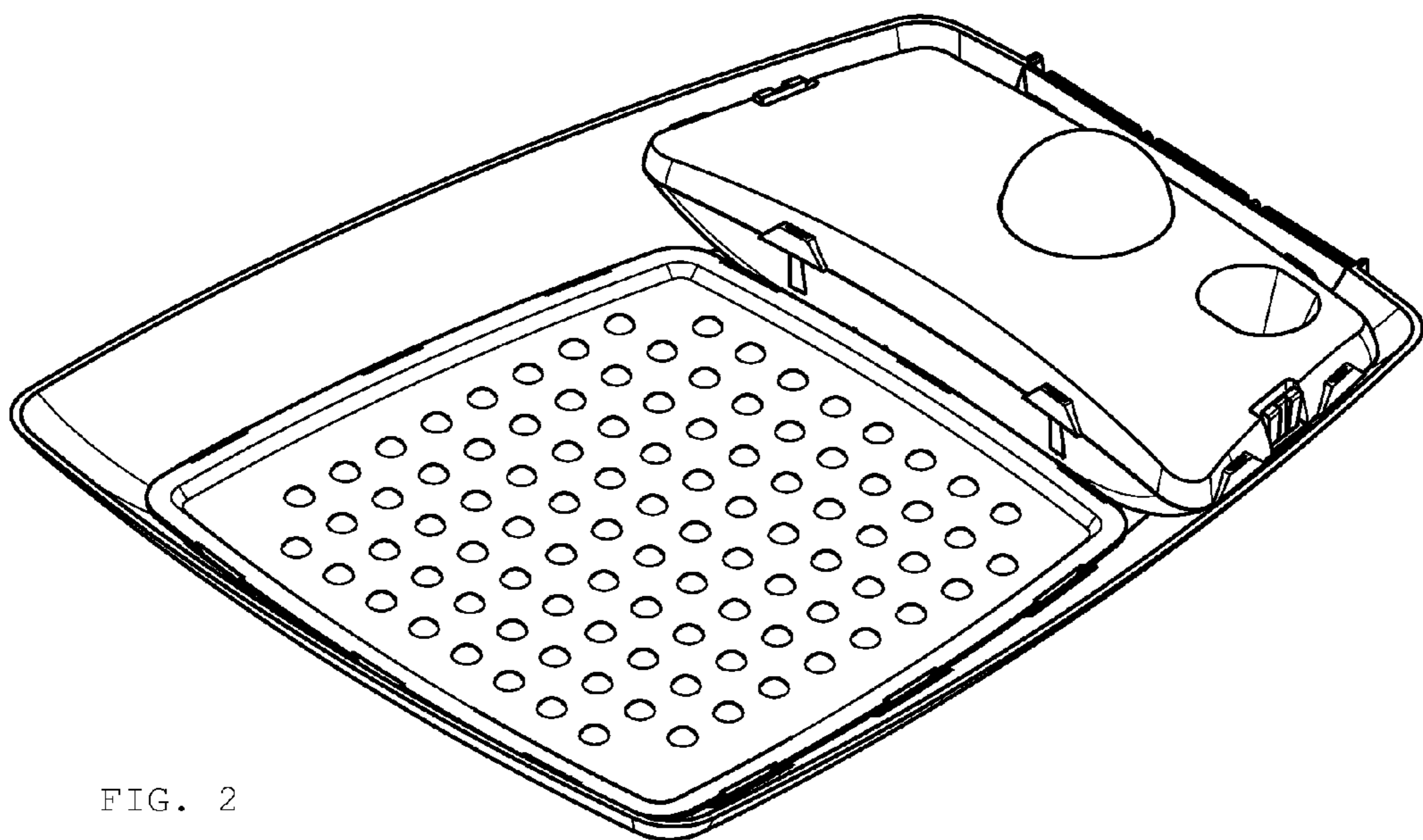


FIG. 2

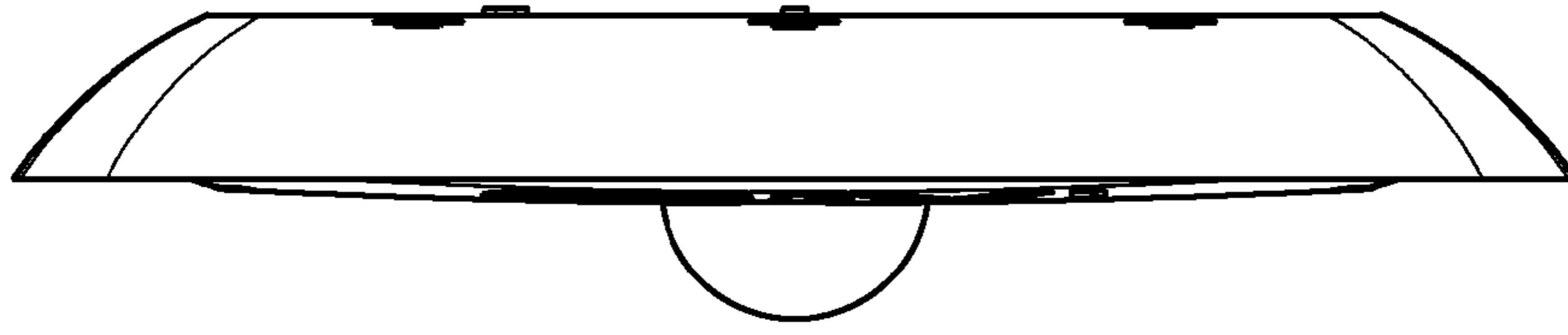


FIG. 3

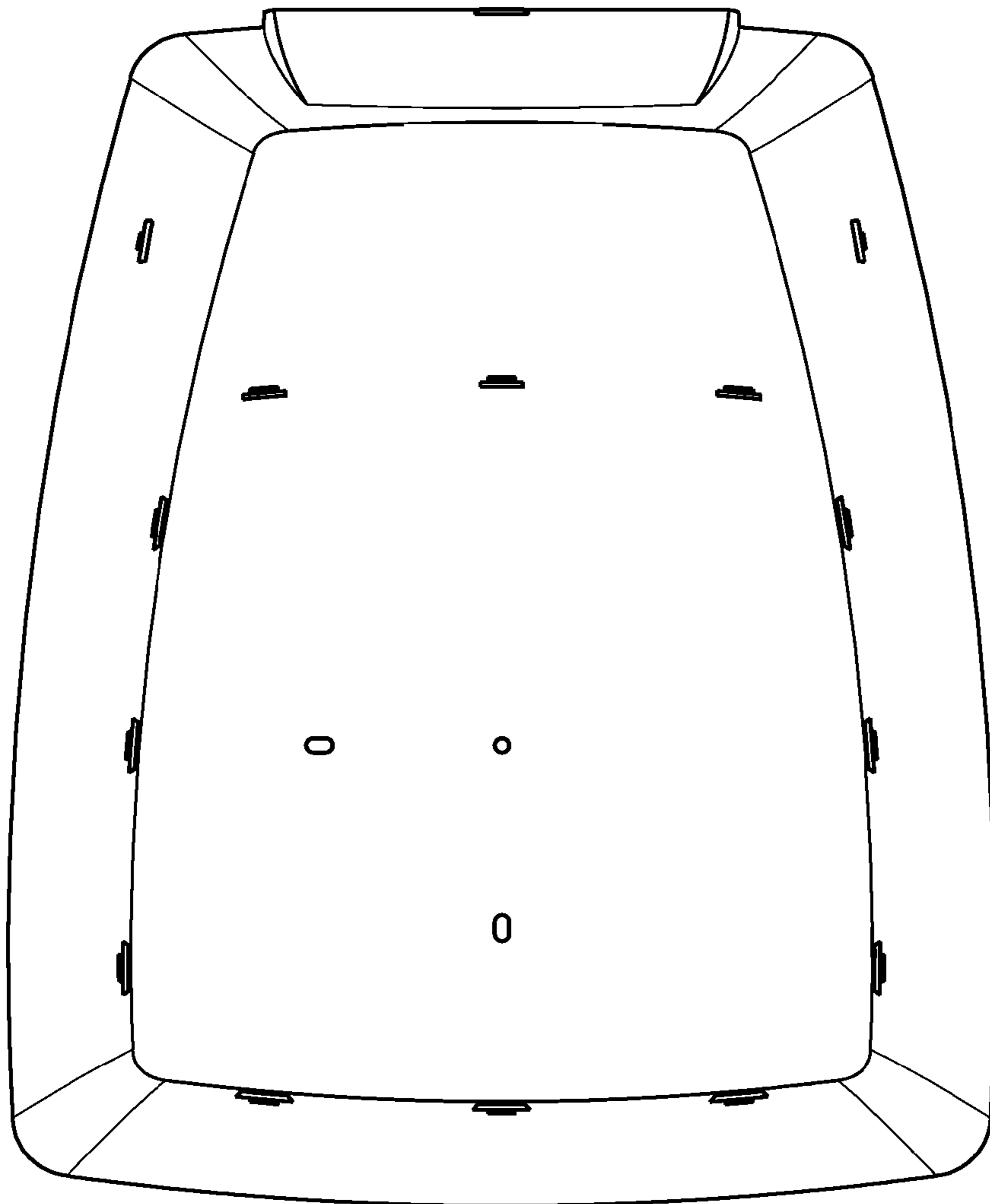


FIG. 4

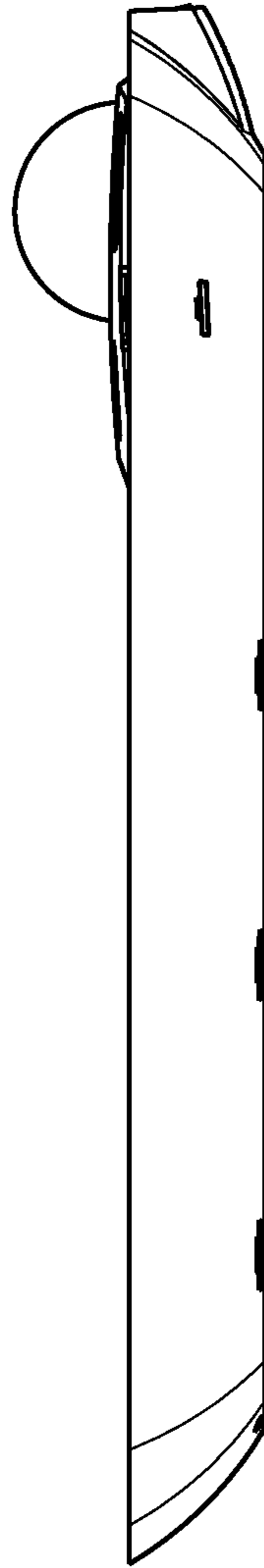


FIG. 5

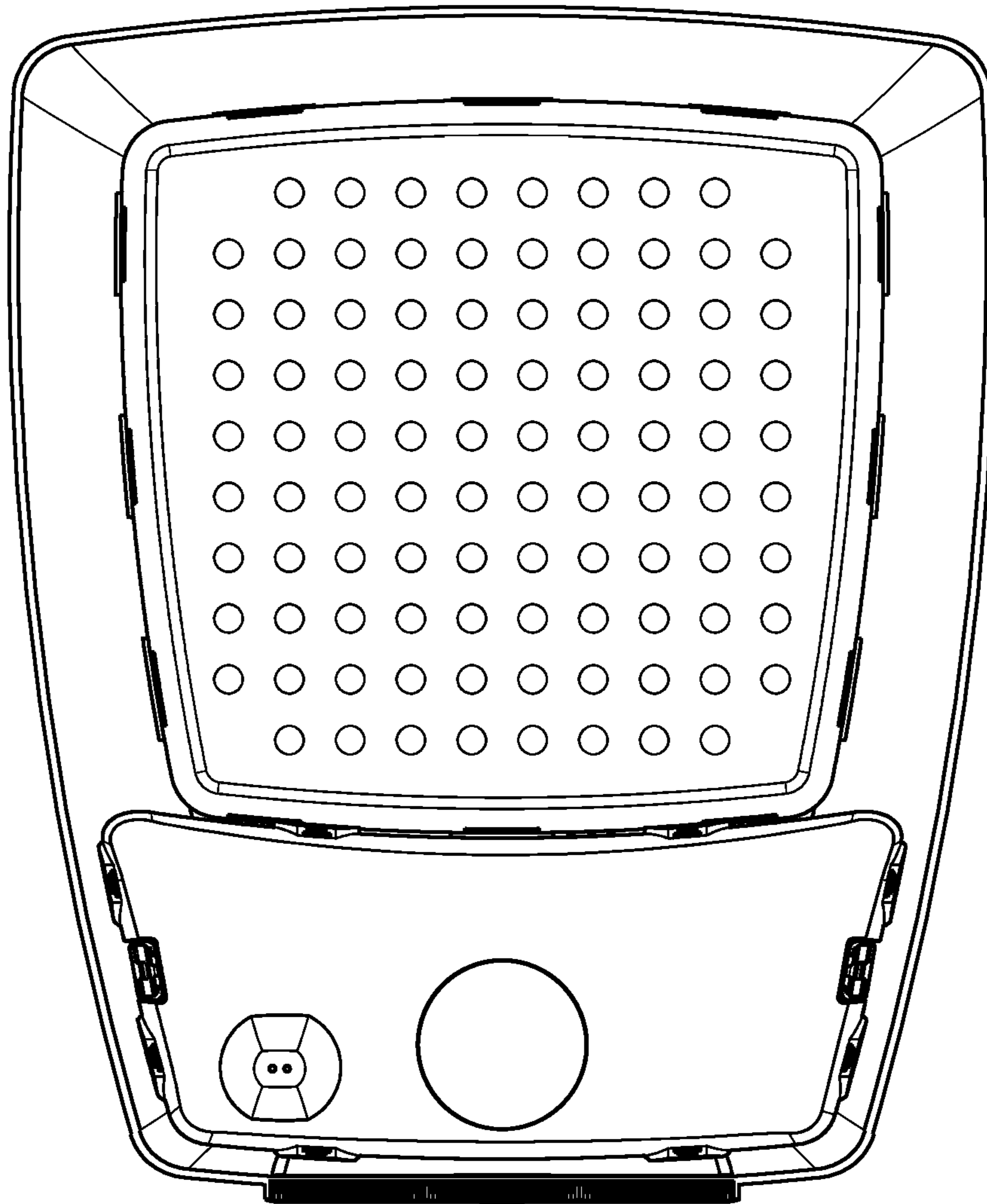


FIG. 6