

US00D698478S

(12) **United States Design Patent**
Randolph et al.

(10) **Patent No.:** **US D698,478 S**
(45) **Date of Patent:** **** Jan. 28, 2014**

(54) **LIGHTING FIXTURE**

(71) Applicant: **Cree, Inc.**, Durham, NC (US)

(72) Inventors: **David N. Randolph**, Rougemont, NC (US); **John R. Rowlette, Jr.**, Raleigh, NC (US)

(73) Assignee: **Cree, Inc.**, Durham, NC (US)

(**) Term: **14 Years**

(21) Appl. No.: **29/456,927**

(22) Filed: **Jun. 5, 2013**

Related U.S. Application Data

(62) Division of application No. 29/408,232, filed on Dec. 8, 2011.

(51) **LOC (10) Cl.** **26-05**

(52) **U.S. Cl.**
USPC **D26/67; D26/89**

(58) **Field of Classification Search**
USPC D26/67, 68, 69, 70, 72, 74, 85, 86, 89,
D26/118, 128, 129; 362/147, 148, 153,
362/153.1, 183, 186, 364, 431, 432, 362
See application file for complete search history.

(56) **References Cited**

U.S. PATENT DOCUMENTS

D47,607 S	7/1915	Owen	
D109,740 S	5/1938	Stewart	
D158,821 S *	5/1950	Walter D26/104
D199,141 S *	9/1964	Curry D26/104
D231,679 S *	5/1974	Keller D26/87
D231,680 S *	5/1974	Keller D26/68

(Continued)

FOREIGN PATENT DOCUMENTS

CN 3557377 8/2006
EM 000380670-0001 8/2005

(Continued)

OTHER PUBLICATIONS

International Search Report for PCT/US2011/062990, mailed Apr. 12, 2012, 10 pages.

(Continued)

Primary Examiner — Clare E Heflin

(74) *Attorney, Agent, or Firm* — Withrow & Terranova, P.L.L.C.

(57) **CLAIM**

The ornamental design for a lighting fixture, as shown and described.

DESCRIPTION

FIG. 1 is a first front isometric view of a lighting fixture according to the new design.

FIG. 2 is a top plan view of the lighting fixture of FIG. 1.

FIG. 3 is a second front isometric view of the lighting fixture of FIG. 1.

FIG. 4 is a first side elevation view of the lighting fixture of FIG. 1.

FIG. 5 is a second side elevation view of the lighting fixture of FIG. 1.

FIG. 6 is a third side elevation view of the lighting fixture of FIG. 1.

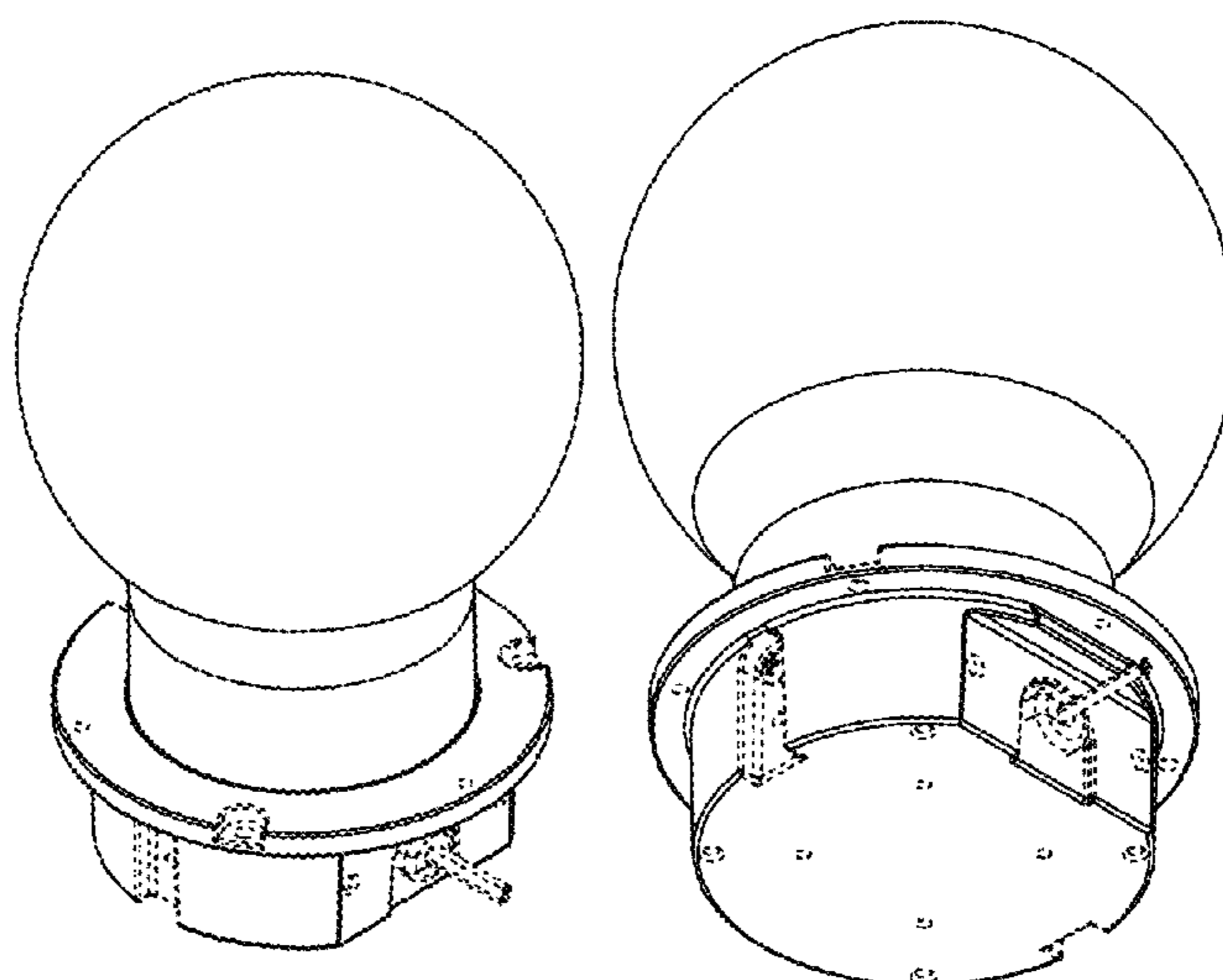
FIG. 7 is a first rear isometric view of the lighting fixture of FIG. 1.

FIG. 8 is a bottom plan view of the lighting fixture of FIG. 1; and,

FIG. 9 is a second rear isometric view of the lighting fixture of FIG. 1.

The broken lines shown on the drawings depict portions of the lighting fixture that form no part of the claimed design.

1 Claim, 3 Drawing Sheets



(56)

References Cited

U.S. PATENT DOCUMENTS

D238,185 S 12/1975 Wellward
 D325,999 S 5/1992 Sonneman
 D341,442 S 11/1993 Shapiro
 D375,605 S * 11/1996 Balish, Jr. D26/87
 D383,564 S 9/1997 Lecluze
 5,664,869 A 9/1997 Bitton
 D386,805 S 11/1997 Bonnette et al.
 D392,764 S * 3/1998 Balish, Jr. D26/85
 D397,472 S 8/1998 Lecluze
 5,800,038 A 9/1998 McCool
 D399,590 S 10/1998 Lecluze
 D400,274 S 10/1998 Ziaylek, Jr. et al.
 D411,640 S 6/1999 Lueken et al.
 D421,316 S 2/2000 Fiorato
 D433,179 S 10/2000 Johnson
 6,152,582 A * 11/2000 Klaus 362/363
 6,193,392 B1 2/2001 Lodhie
 D457,677 S 5/2002 Landefeld et al.
 D468,044 S * 12/2002 Lam D26/72
 D473,966 S 4/2003 Lecluze
 D474,298 S 5/2003 Lecluze
 D488,251 S 4/2004 Benghozi
 D488,583 S 4/2004 Benghozi
 D506,280 S 6/2005 Chen
 D508,141 S 8/2005 Rashidi
 D508,750 S 8/2005 Rashidi
 D509,017 S 8/2005 Rashidi
 D509,615 S 9/2005 Rashidi
 D544,979 S 6/2007 Hartmann, Jr. et al.
 D547,484 S 7/2007 Guercio
 D548,390 S 8/2007 Lecluze
 D549,384 S 8/2007 Grawunder
 D558,377 S 12/2007 Rashidi
 D558,378 S 12/2007 Rashidi
 D561,374 S 2/2008 Hartmann, Jr. et al.
 D570,515 S 6/2008 Flaherty et al.
 D574,104 S 7/2008 Sanoner
 D588,296 S * 3/2009 Sabernig D26/87
 D596,334 S * 7/2009 Sabernig D26/88
 7,614,769 B2 11/2009 Sell
 D606,696 S 12/2009 Chen et al.
 D607,140 S * 12/2009 Farris et al. D26/105
 D608,044 S 1/2010 Pickett
 D609,840 S 2/2010 Tang
 D610,292 S 2/2010 Yoshinobu et al.
 D614,337 S 4/2010 Robinson et al.
 D617,934 S 6/2010 Rashidi
 D622,434 S 8/2010 Ward et al.
 7,771,086 B2 8/2010 Goverde
 7,789,535 B2 9/2010 Wang et al.
 D625,879 S * 10/2010 Sabernig D26/93
 D626,676 S 11/2010 Johnson
 D628,733 S 12/2010 Cobb, III et al.

7,862,214 B2 1/2011 Trott et al.
 D632,822 S 2/2011 Bitton
 D646,429 S * 10/2011 Sabernig D26/128
 8,104,928 B1 1/2012 Horn
 D655,855 S 3/2012 Sabernig
 8,240,871 B2 8/2012 Chou
 D671,259 S 11/2012 Chen
 D671,668 S 11/2012 Rowlette, Jr. et al.
 D674,127 S 1/2013 Rowlette, Jr. et al.
 2004/0050538 A1 3/2004 Sunder et al.
 2005/0111234 A1 5/2005 Martin et al.
 2007/0035951 A1 2/2007 Tseng
 2007/0041220 A1 2/2007 Lynch
 2008/0074889 A1 3/2008 Gloisten et al.
 2008/0158887 A1 7/2008 Zhu et al.
 2009/0219727 A1 9/2009 Weaver
 2010/0061076 A1 3/2010 Mandy et al.
 2010/0110699 A1 5/2010 Chou
 2010/0164348 A1 7/2010 Huang et al.
 2010/0226139 A1 9/2010 Lynch et al.
 2010/0296272 A1 11/2010 Roos et al.
 2011/0002124 A1 1/2011 Chang et al.
 2011/0026261 A1 2/2011 Kuan
 2012/0044704 A1 2/2012 Wilson et al.
 2012/0140490 A1 6/2012 Rowlette, Jr. et al.

FOREIGN PATENT DOCUMENTS

FR 2909160 A1 5/2008
 WO 2008036596 A1 3/2008
 WO 2008061082 A1 5/2008
 WO 2008067447 A1 6/2008
 WO 2009111905 A1 9/2009
 WO 2011037878 A1 3/2011

OTHER PUBLICATIONS

International Search Report for PCT/US2011/062992, mailed Apr. 2, 2012, 126 pages.
 International Search Report for PCT/US2012/067754, mailed Feb. 20, 2013, 11 pages.
 Quayle Action for U.S. Appl. No. 29/379,154, mailed May 30, 2012, 6 pages.
 Non-final Office Action for U.S. Appl. No. 13/042,378, mailed Sep. 4, 2012, 19 pages.
 Final Office Action for U.S. Appl. No. 13/042,378, mailed Feb. 4, 2013, 20 pages.
 Restriction Requirement for U.S. Appl. No. 29/408,232, mailed Jan. 16, 2013, 5 pages.
 Examiner's Answer to Appeal Brief for U.S. Appl. No. 13/042,378, mailed Aug. 6, 2013, 20 pages.
 Non-Final Office Action for U.S. Appl. No. 13/042,388, mailed Oct. 18, 2013, 12 p.

* cited by examiner

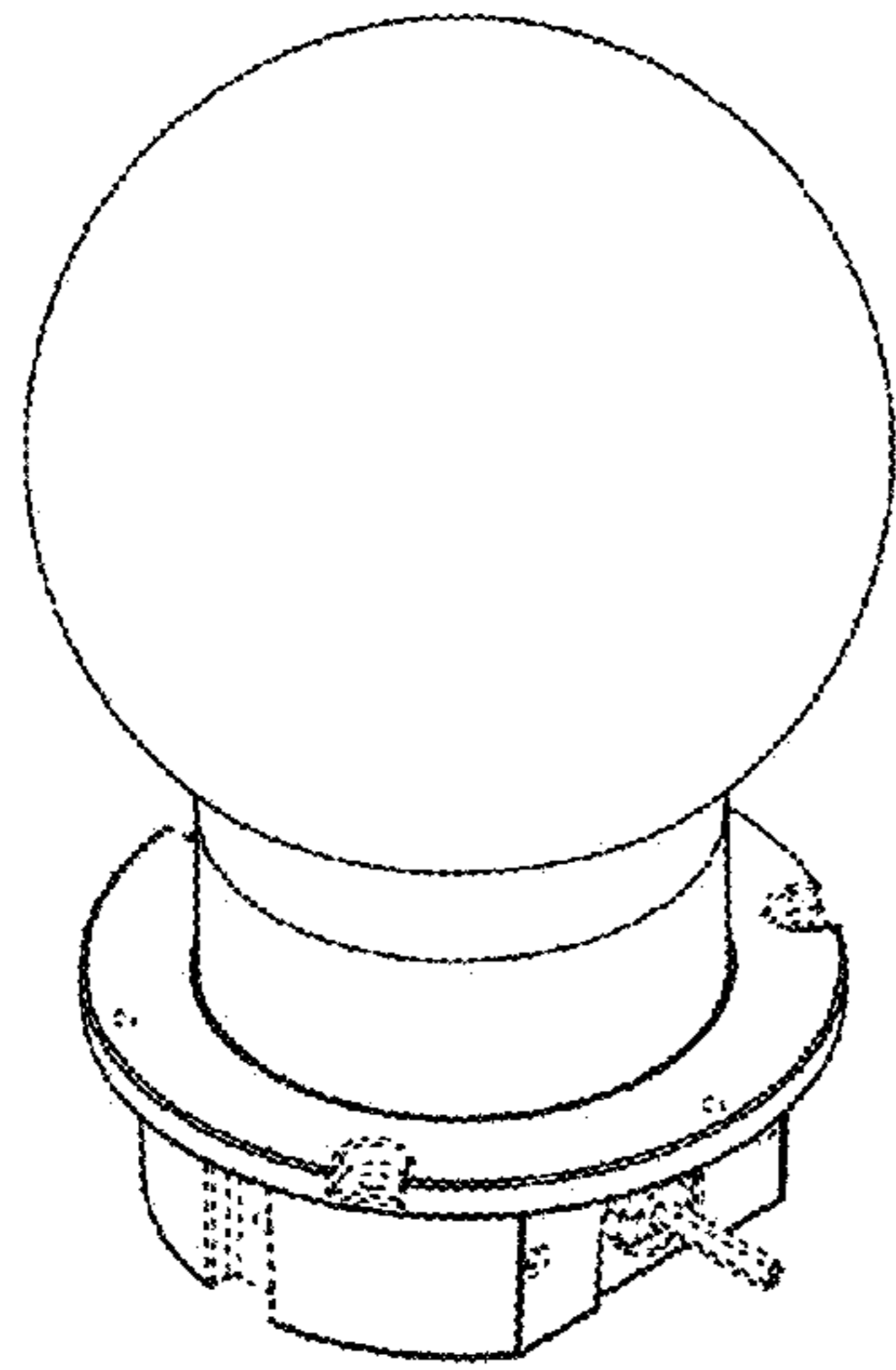


FIG. 1

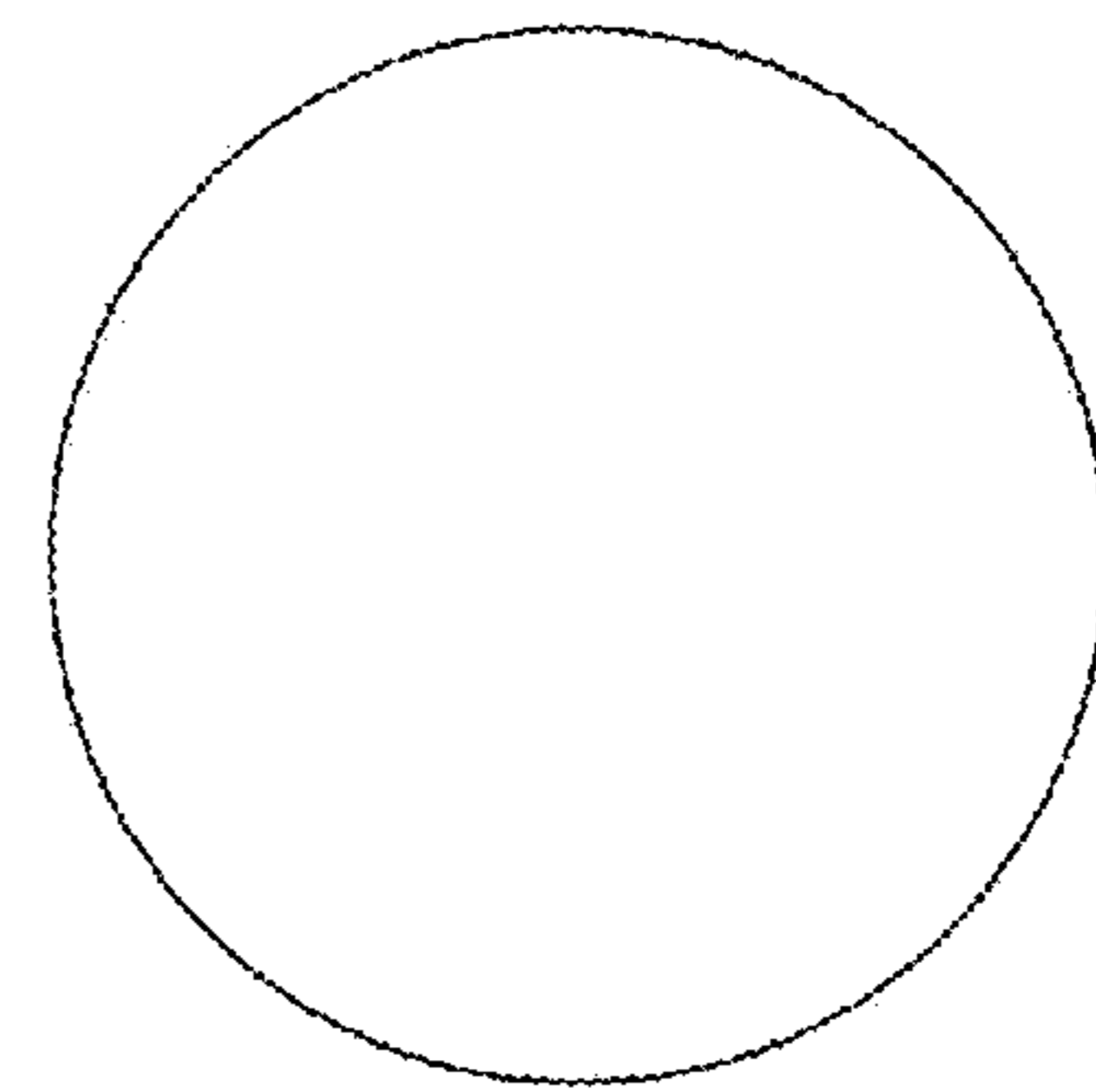


FIG. 2

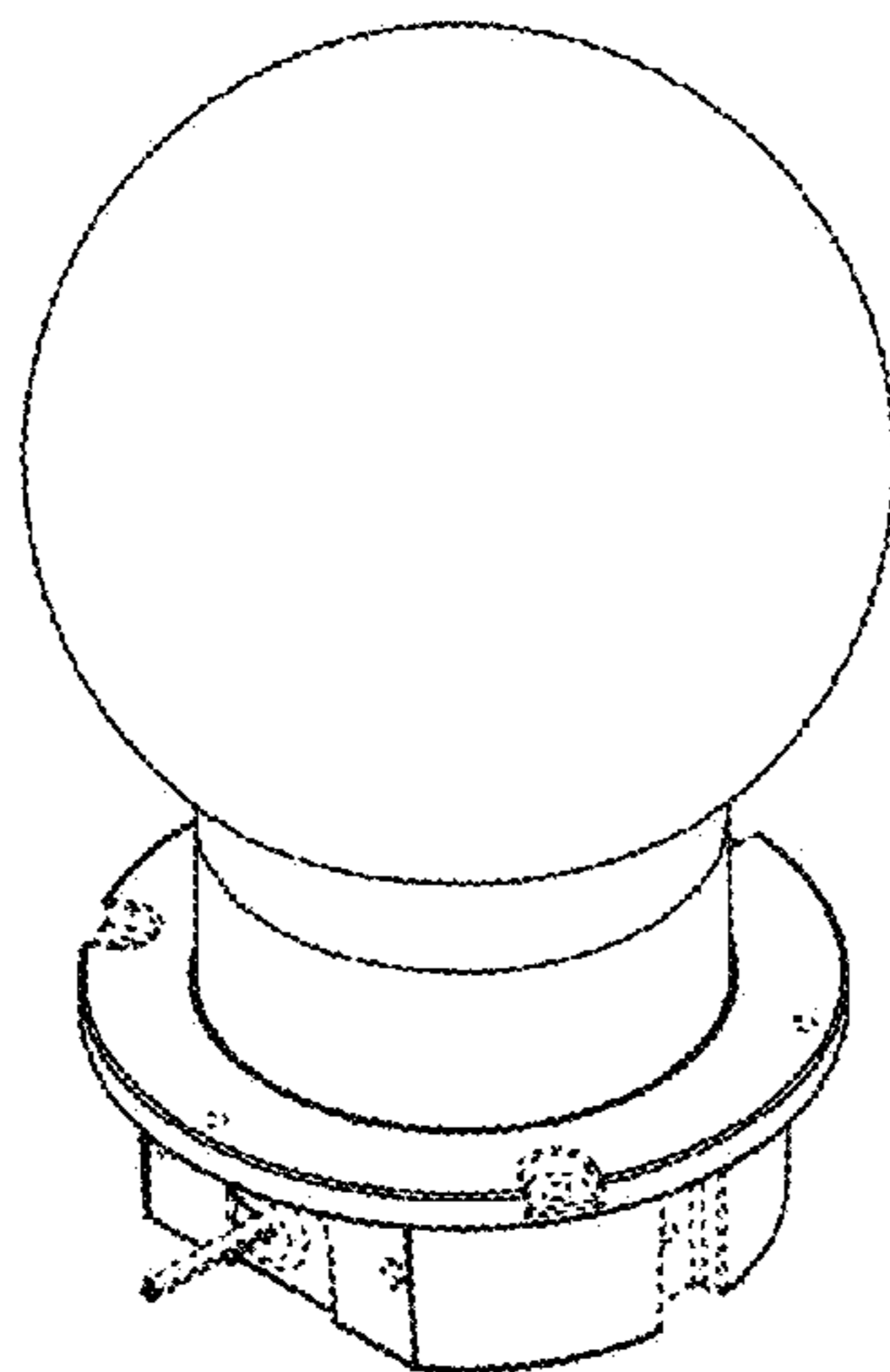


FIG. 3

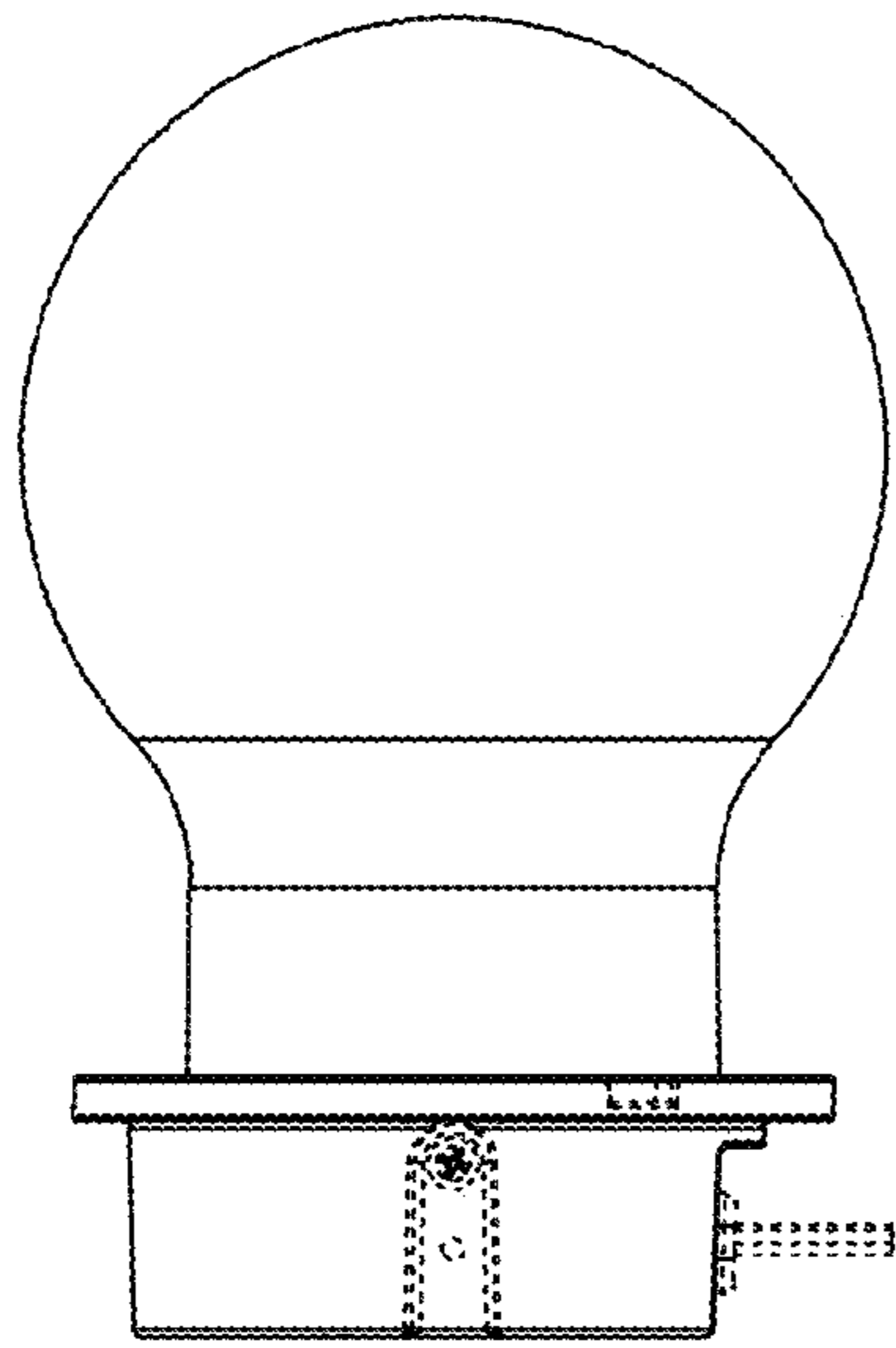


FIG. 4

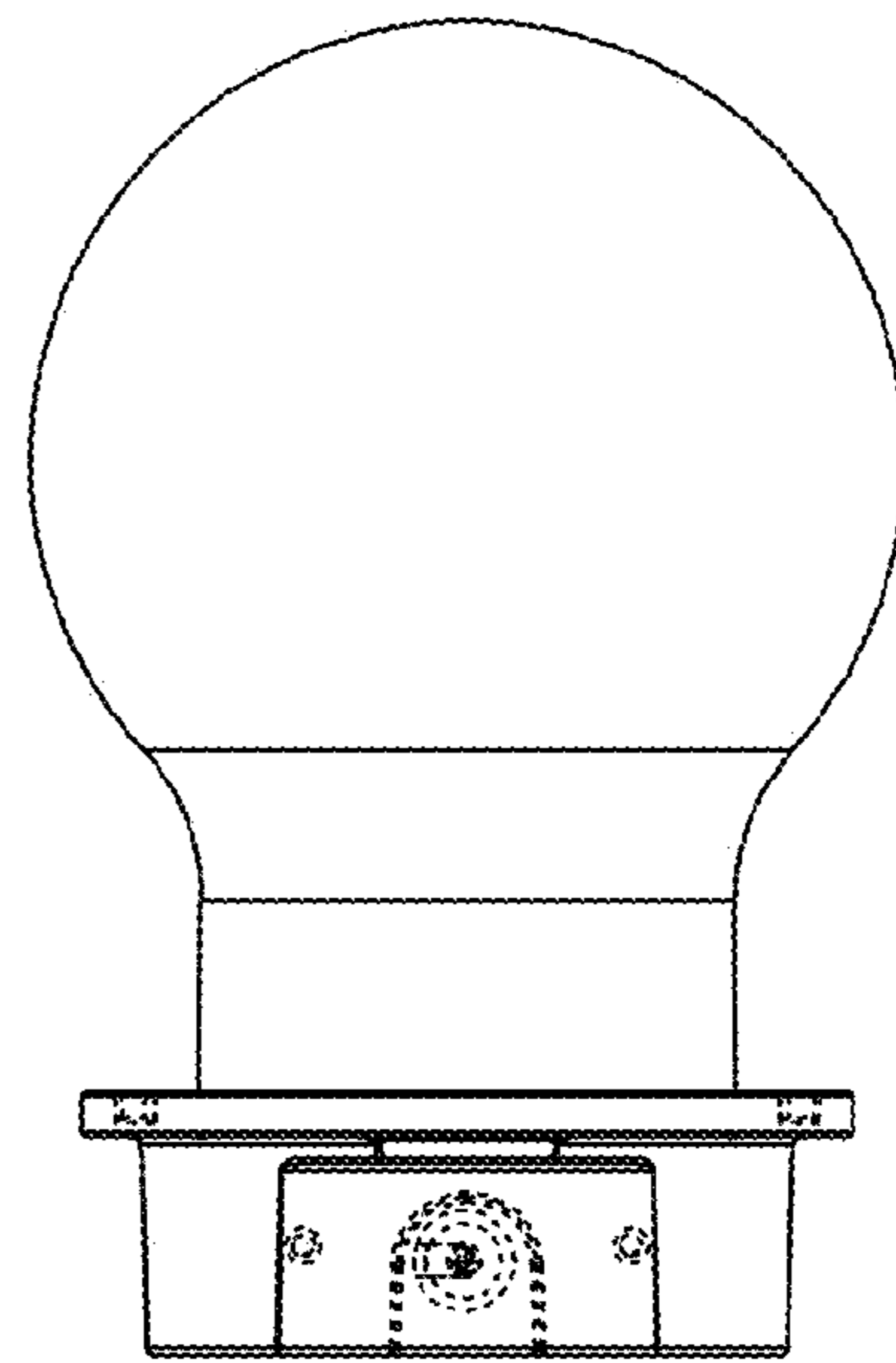


FIG. 5

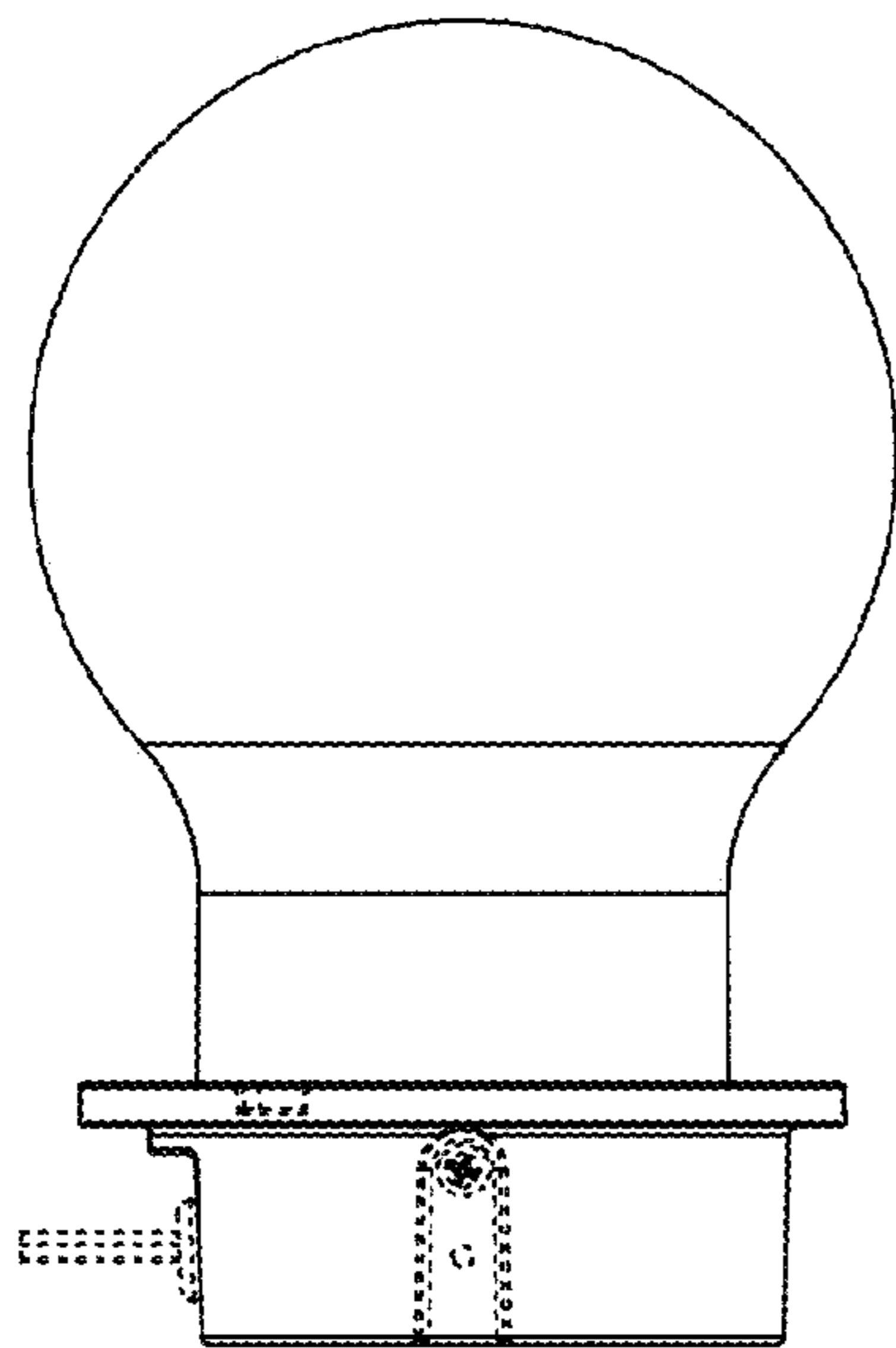


FIG. 6

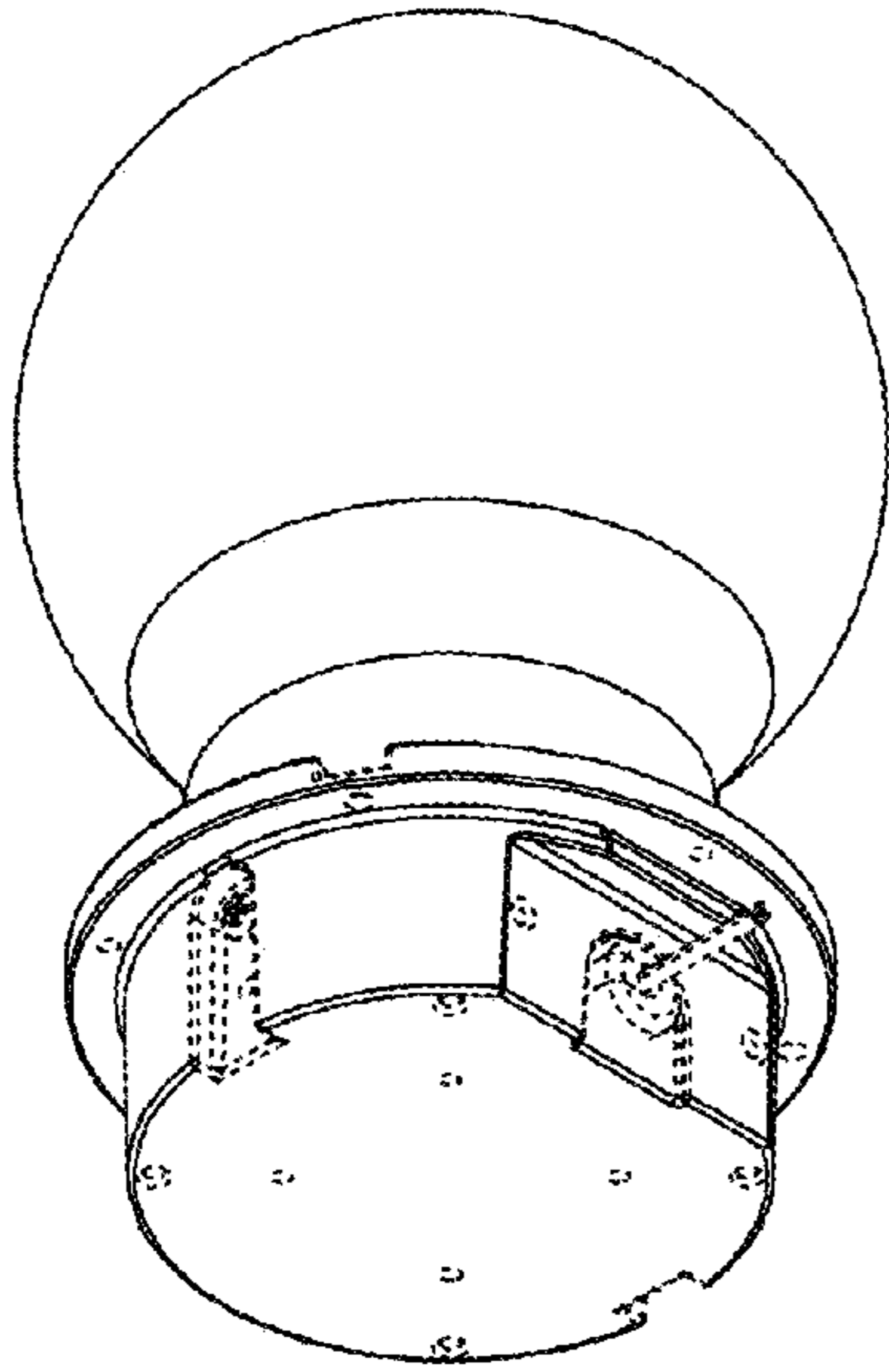


FIG. 7

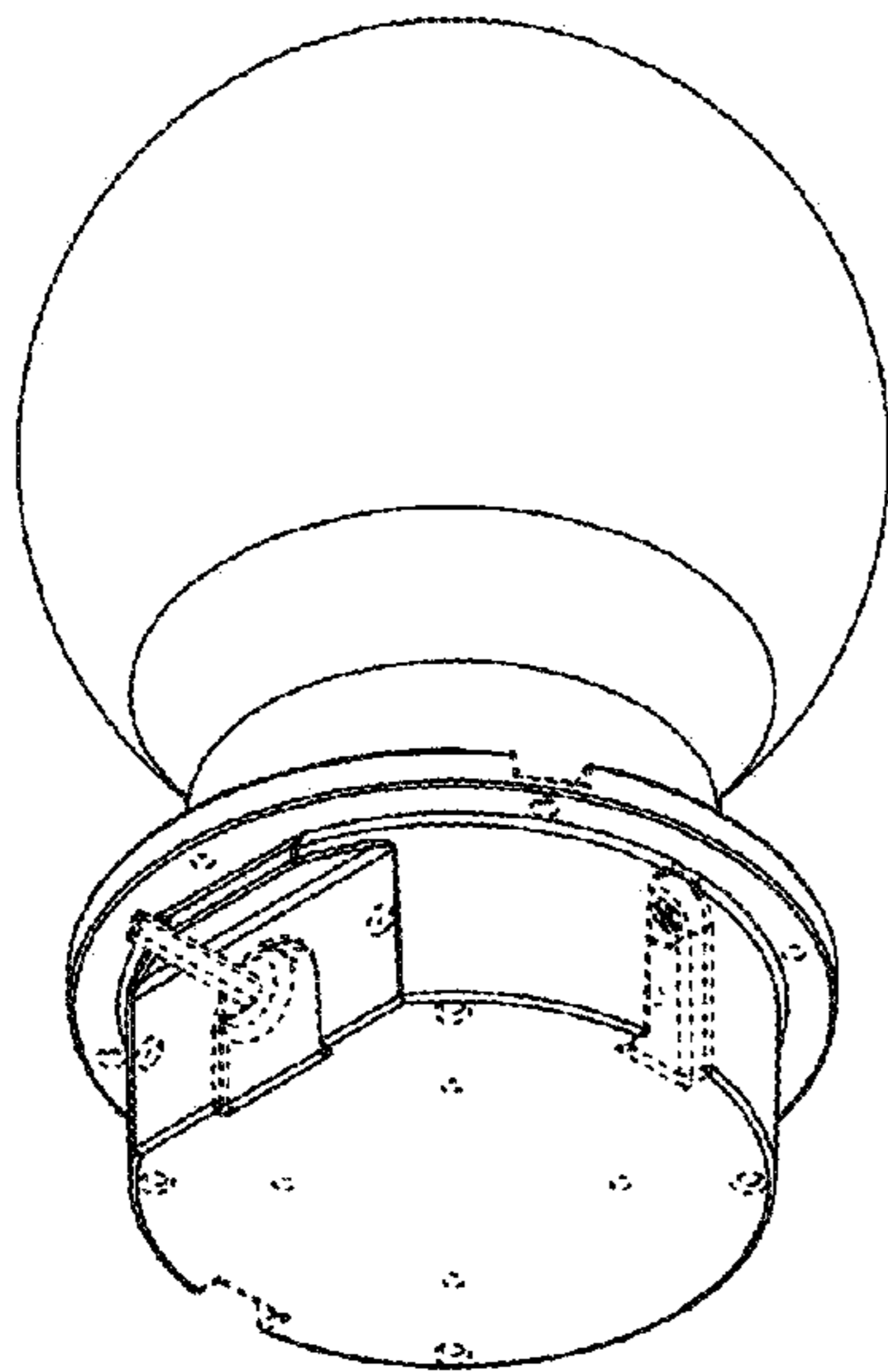


FIG. 9

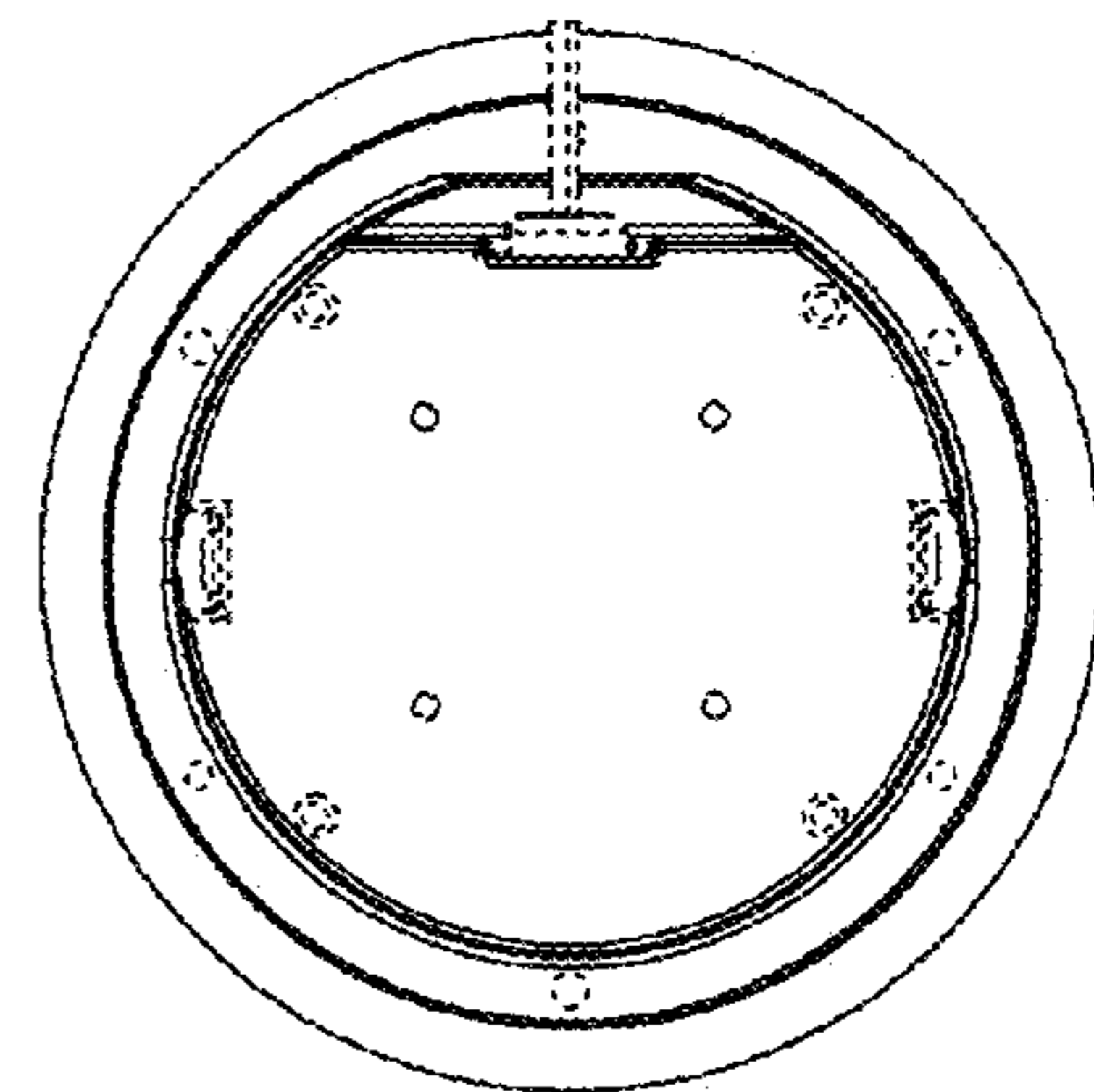


FIG. 8