



US00D698477S

(12) **United States Design Patent**
Korpi

(10) **Patent No.:** **US D698,477 S**

(45) **Date of Patent:** **** Jan. 28, 2014**

(54) **WORKLIGHT**

(75) Inventor: **Jari Korpi**, Pietarsaari (FI)

(73) Assignee: **Herrmans Oy AB**, Pietarsaari (FI)

(**) Term: **14 Years**

(21) Appl. No.: **29/428,929**

(22) Filed: **Aug. 6, 2012**

(30) **Foreign Application Priority Data**

Feb. 6, 2012 (EM) 001986878

(51) **LOC (10) Cl.** **26-03**

(52) **U.S. Cl.**
USPC **D26/63**

(58) **Field of Classification Search**
USPC D26/60-66, 51, 93, 94, 102, 104, 106,
D26/28, 35; D14/336, 337, 371; 362/33, 35,
362/145, 187, 188, 257, 267, 268, 310,
362/311.06, 322, 372, 253, 233, 460, 477,
362/157, 158, 190, 269, 270, 277, 282, 285,
362/287, 288, 410-414, 418, 800, 806, 427,
362/449, 430, 227, 232, 249.02-249.04,
362/249.07, 249.1, 249.11, 236, 240

See application file for complete search history.

(56) **References Cited**

U.S. PATENT DOCUMENTS

D320,462 S * 10/1991 Williams et al. D26/28
D351,243 S * 10/1994 Williams et al. D26/28
D443,707 S * 6/2001 Poon D26/61
D550,878 S * 9/2007 Korpi D26/63
D552,780 S * 10/2007 Starck D26/63

D564,688 S * 3/2008 Korpi D26/63
D564,689 S * 3/2008 Korpi D26/63
D572,856 S * 7/2008 Kehl et al. D26/61
D573,285 S * 7/2008 Zettl D26/63
D573,286 S * 7/2008 Zettl D26/63
D587,833 S * 3/2009 Bina et al. D26/63
D589,636 S * 3/2009 Pinette D26/63
D606,691 S * 12/2009 Lindholm D26/63
D617,930 S * 6/2010 Chen D26/63
D634,871 S * 3/2011 Wooh D26/63
D642,717 S * 8/2011 Lindholm et al. D26/63
D642,718 S * 8/2011 Lindholm et al. D26/63
D642,719 S * 8/2011 Lindholm et al. D26/63
D642,721 S * 8/2011 Li et al. D26/63
D645,594 S * 9/2011 Grawe D26/63
D645,595 S * 9/2011 Yamada D26/63
D650,109 S * 12/2011 Maxik et al. D26/63
D663,877 S * 7/2012 Qevy et al. D26/63
D666,346 S * 8/2012 Gebhard et al. D26/63

* cited by examiner

Primary Examiner — Brian N Vinson

(74) *Attorney, Agent, or Firm* — Klauber & Jackson LLC

(57) **CLAIM**

The ornamental design for a worklight, as shown and described.

DESCRIPTION

FIG. 1 is a perspective view showing the front, bottom and right side of the worklight of my new design;

FIG. 2 is a front view thereof;

FIG. 3 is a rear view thereof;

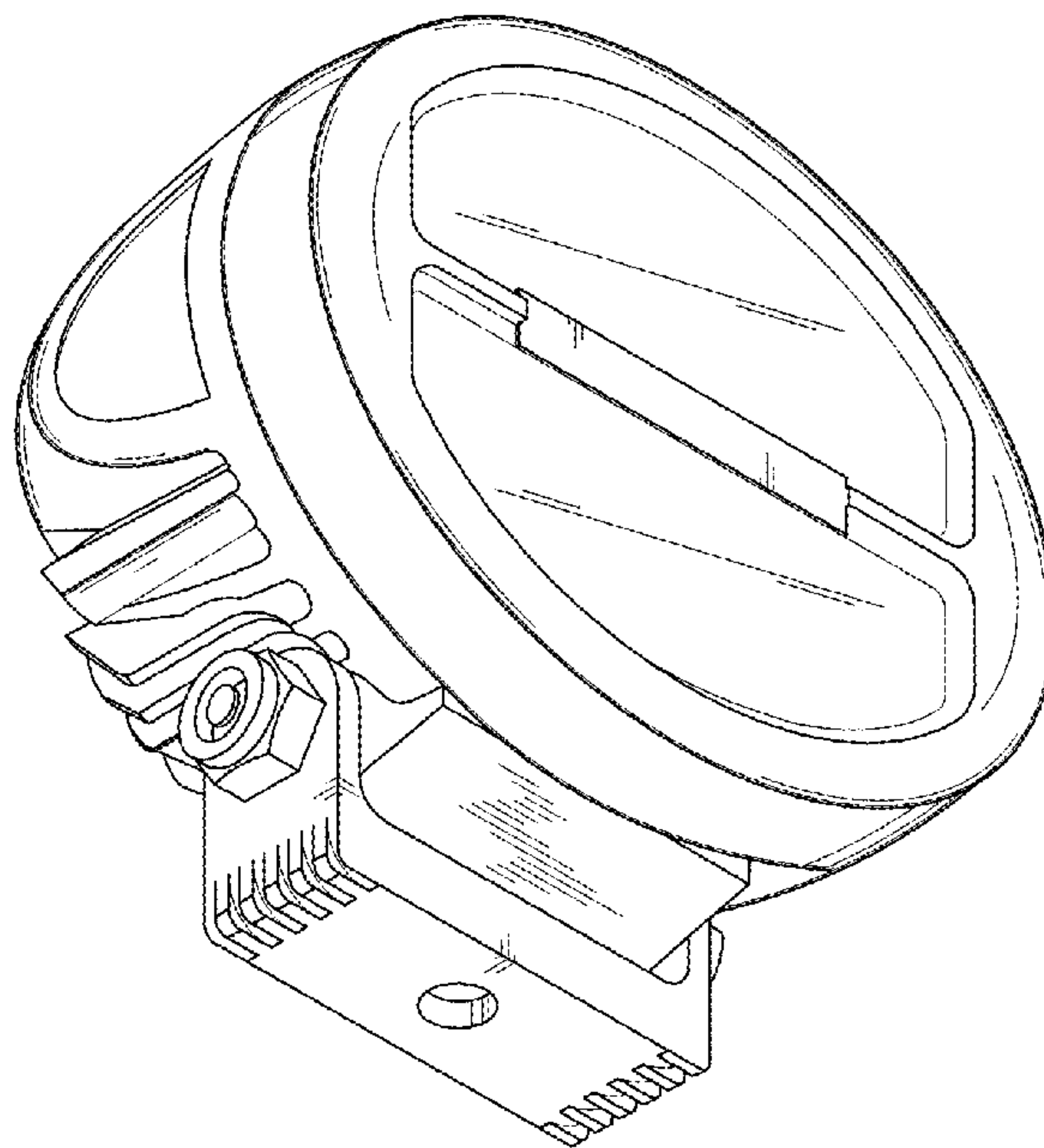
FIG. 4 is a right side view thereof;

FIG. 5 is a left side view thereof;

FIG. 6 is a top view thereof; and,

FIG. 7 is a bottom view of the claimed design.

1 Claim, 4 Drawing Sheets



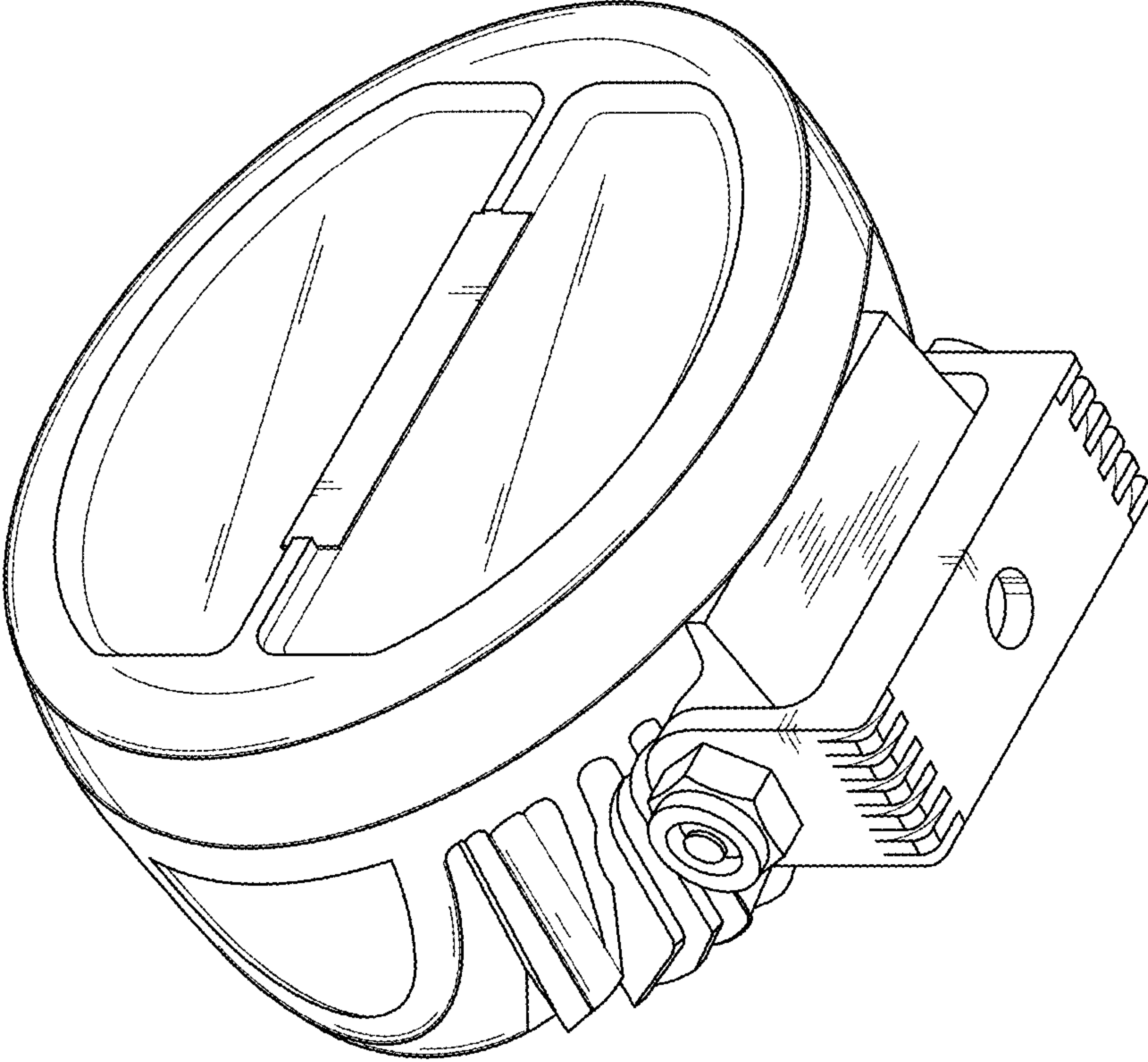


FIG. 1

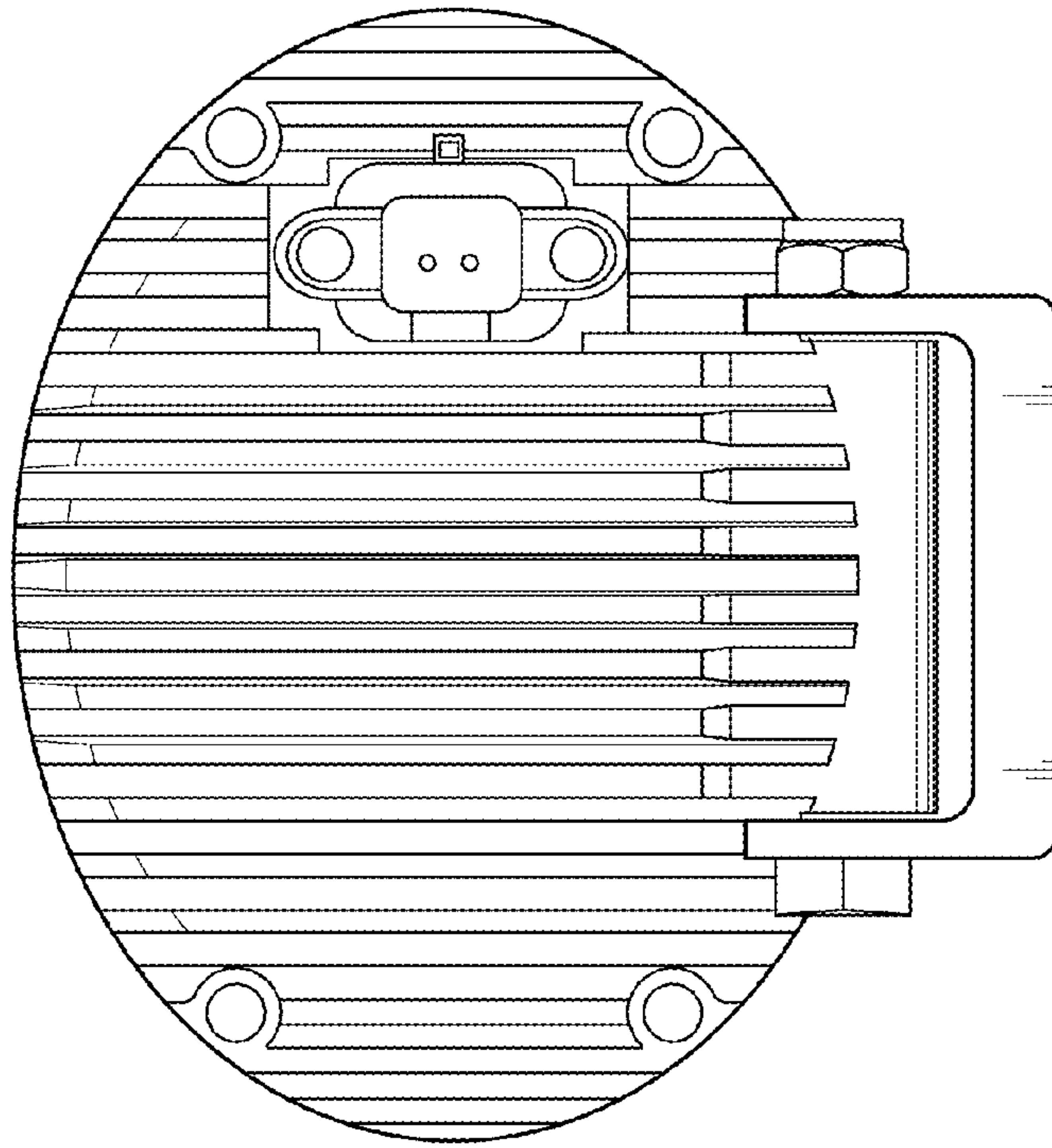


FIG. 3

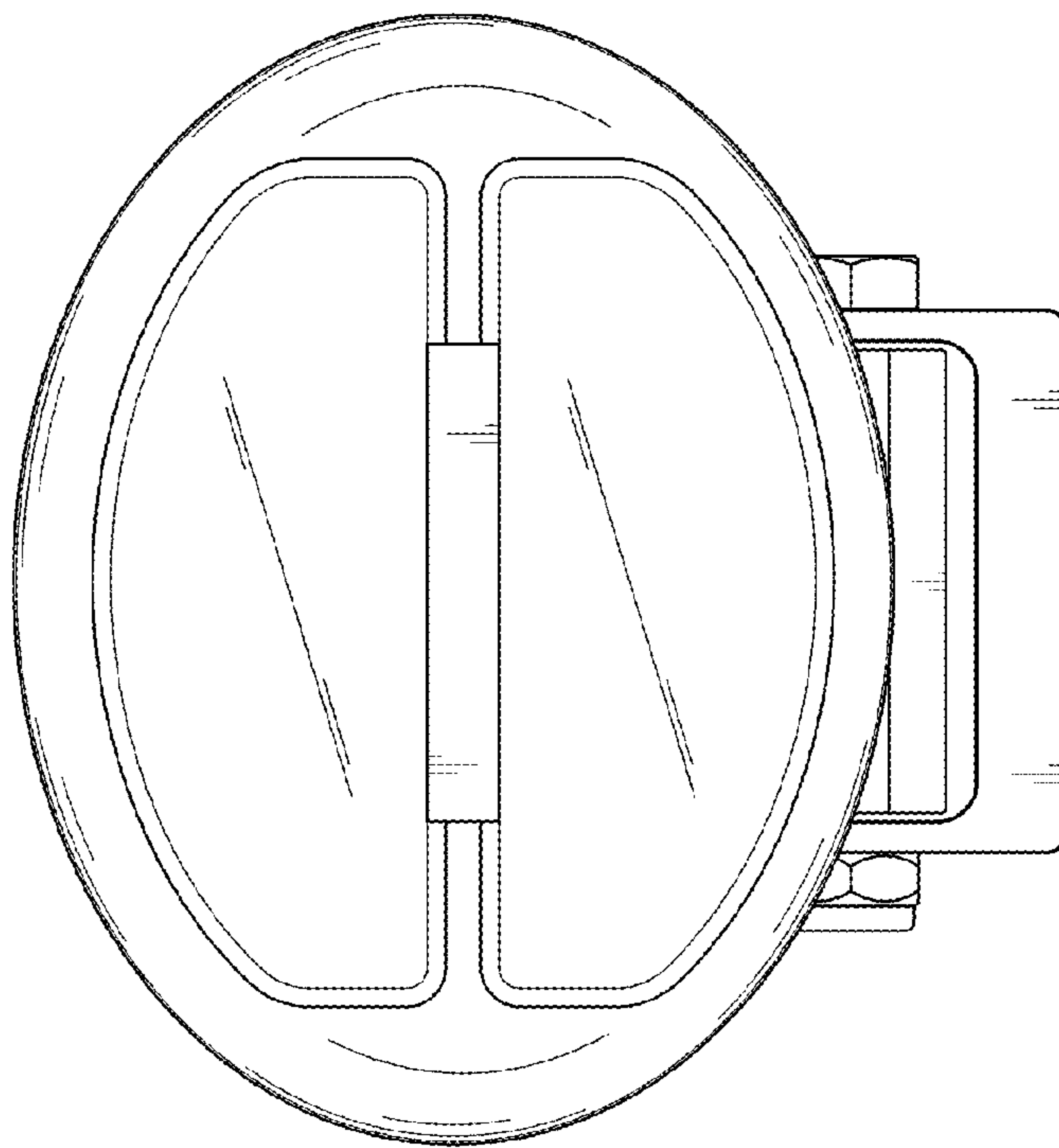


FIG. 2

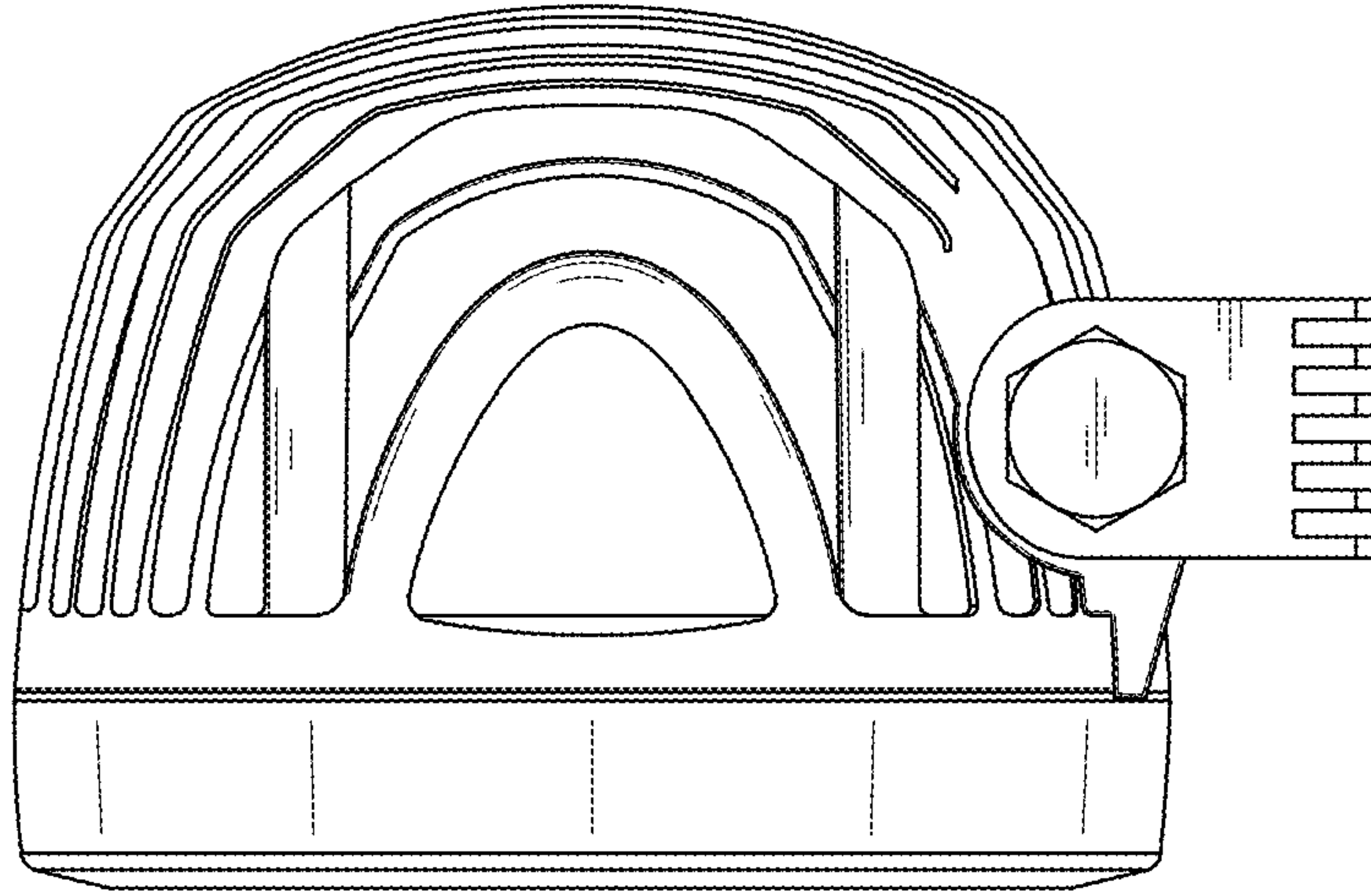


FIG. 4

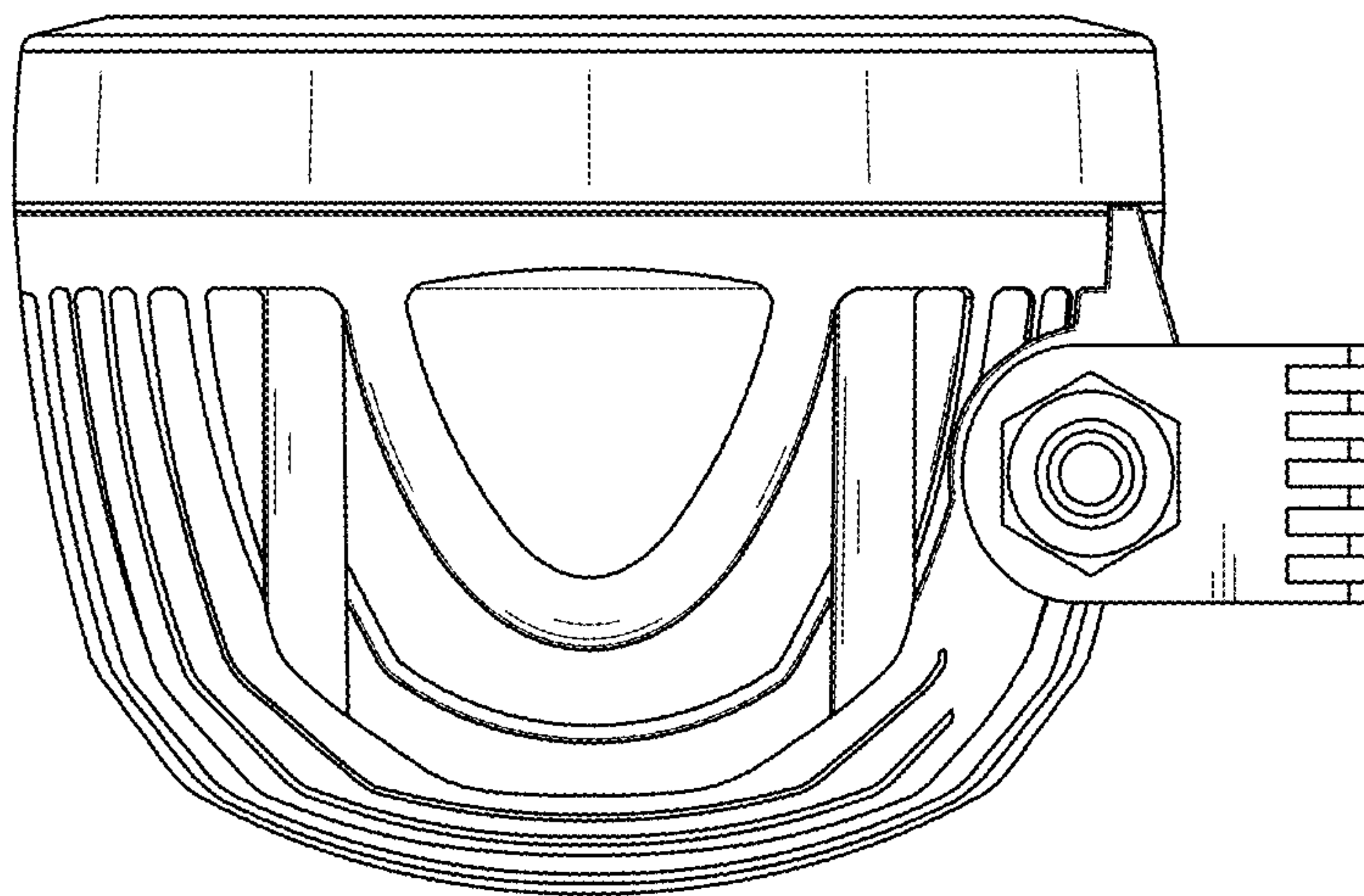


FIG. 5

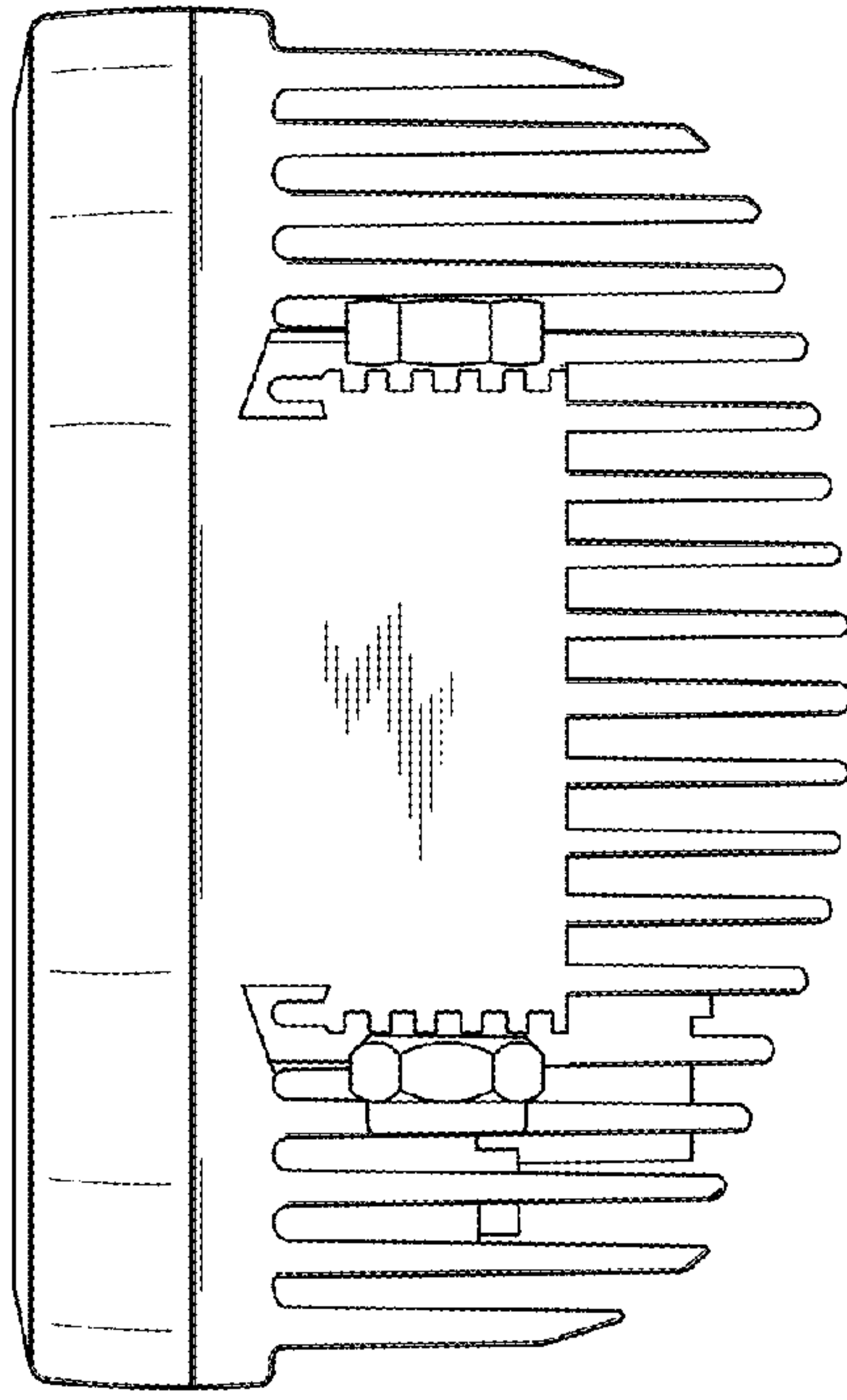


FIG. 7

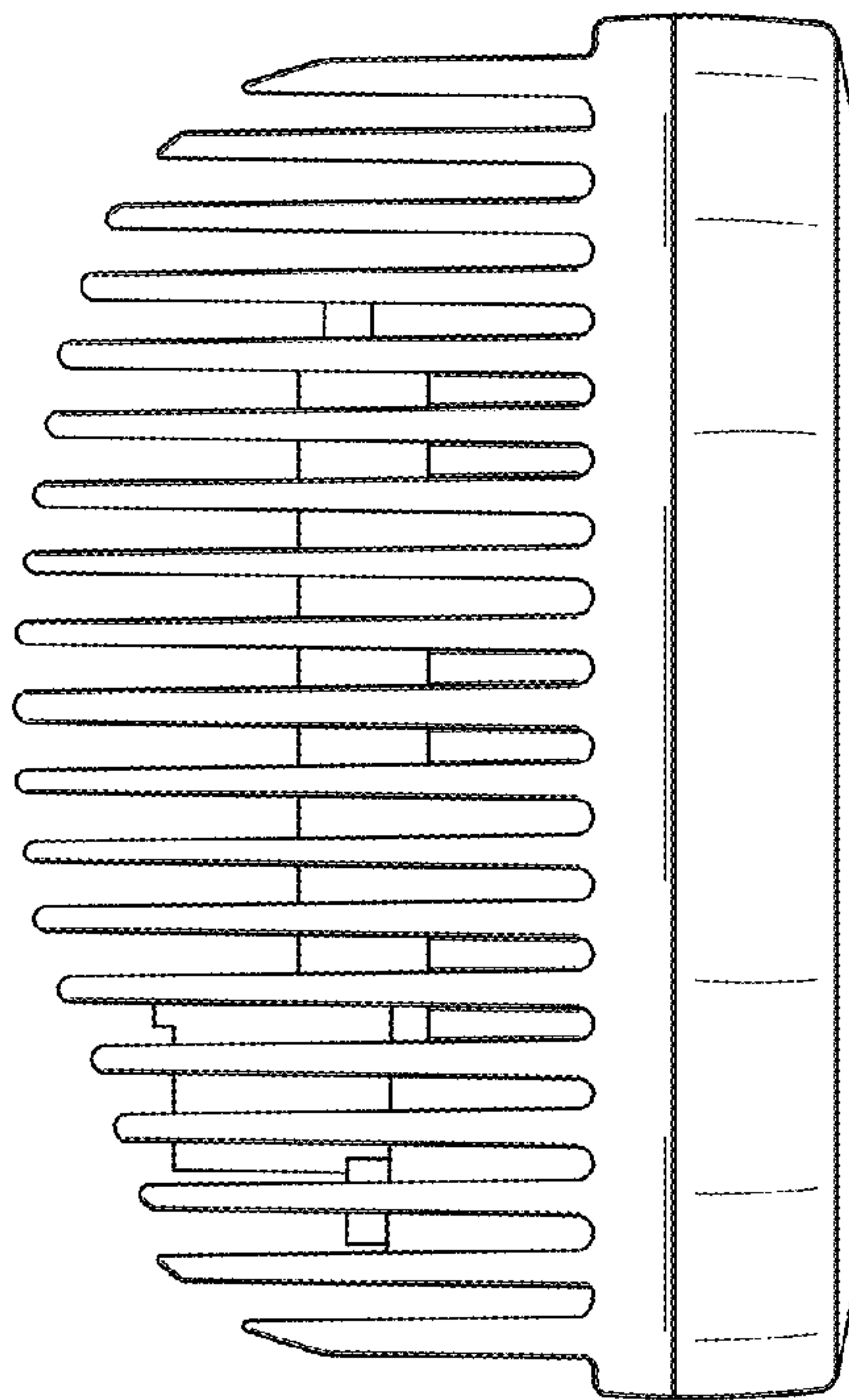


FIG. 6