



US00D698472S

(12) **United States Design Patent**  
**Korpi**

(10) **Patent No.:** **US D698,472 S**  
(45) **Date of Patent:** **\*\* Jan. 28, 2014**

(54) **WORKLIGHT**

(75) Inventor: **Jari Korpi**, Pietarsaari (FI)

(73) Assignee: **Herrmans Oy AB**, Pietarsaari (FI)

(\*\*) Term: **14 Years**

(21) Appl. No.: **29/428,923**

(22) Filed: **Aug. 6, 2012**

(30) **Foreign Application Priority Data**

Feb. 6, 2012 (EM) ..... 001986878

(51) **LOC (10) CL.** ..... **26-03**

(52) **U.S. CL.**

USPC ..... **D26/63**

(58) **Field of Classification Search**

USPC ..... D26/60-66, 51, 93, 94, 102, 104, 106,  
D26/28, 35; D14/336, 337, 371; 362/33, 35,  
362/145, 187, 188, 257, 267, 268, 310,  
362/311.06, 322, 372, 253, 233, 460, 477,  
362/157, 158, 190, 269, 270, 277, 282, 285,  
362/287, 288, 410-414, 418, 800, 806, 427,  
362/449, 430, 227, 232, 249.02-249.04,  
362/249.07, 249.1, 249.11, 236, 240

See application file for complete search history.

(56) **References Cited**

**U.S. PATENT DOCUMENTS**

D320,462 S \* 10/1991 Williams et al. .... D26/28  
D351,243 S \* 10/1994 Williams et al. .... D26/28

D550,878 S \* 9/2007 Korpi ..... D26/63  
D564,688 S \* 3/2008 Korpi ..... D26/63  
D564,689 S \* 3/2008 Korpi ..... D26/63  
D573,285 S \* 7/2008 Zettl ..... D26/63  
D573,286 S \* 7/2008 Zettl ..... D26/63  
D606,691 S \* 12/2009 Lindholm ..... D26/63  
D642,717 S \* 8/2011 Lindholm et al. .... D26/63  
D642,718 S \* 8/2011 Lindholm et al. .... D26/63  
D642,719 S \* 8/2011 Lindholm et al. .... D26/63  
D642,721 S \* 8/2011 Li et al. .... D26/63  
D645,594 S \* 9/2011 Grawe ..... D26/63  
D650,109 S \* 12/2011 Maxik et al. .... D26/63  
D666,346 S \* 8/2012 Gebhard et al. .... D26/63

\* cited by examiner

*Primary Examiner* — Brian N Vinson

(74) *Attorney, Agent, or Firm* — Klauber & Jackson LLC

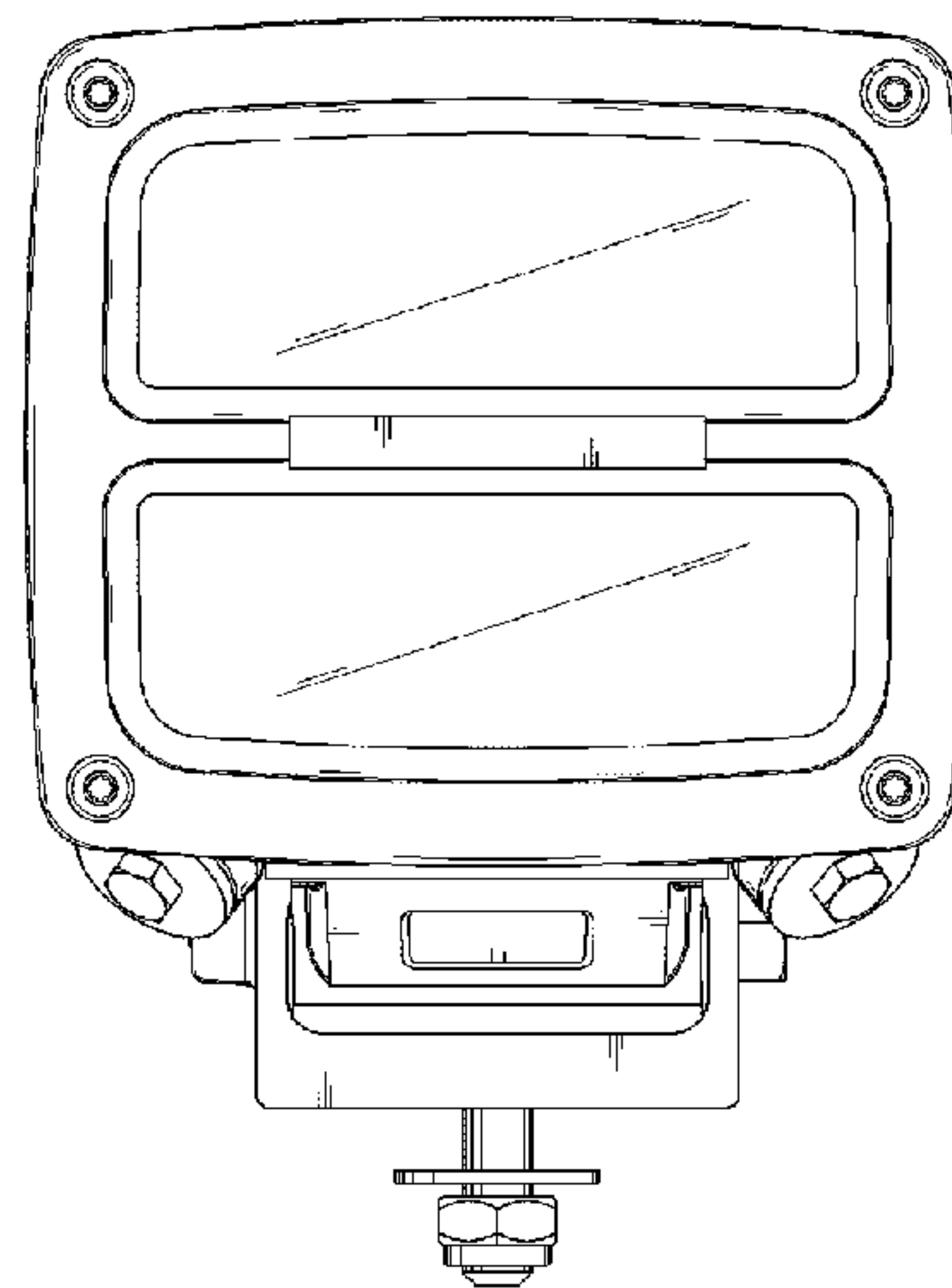
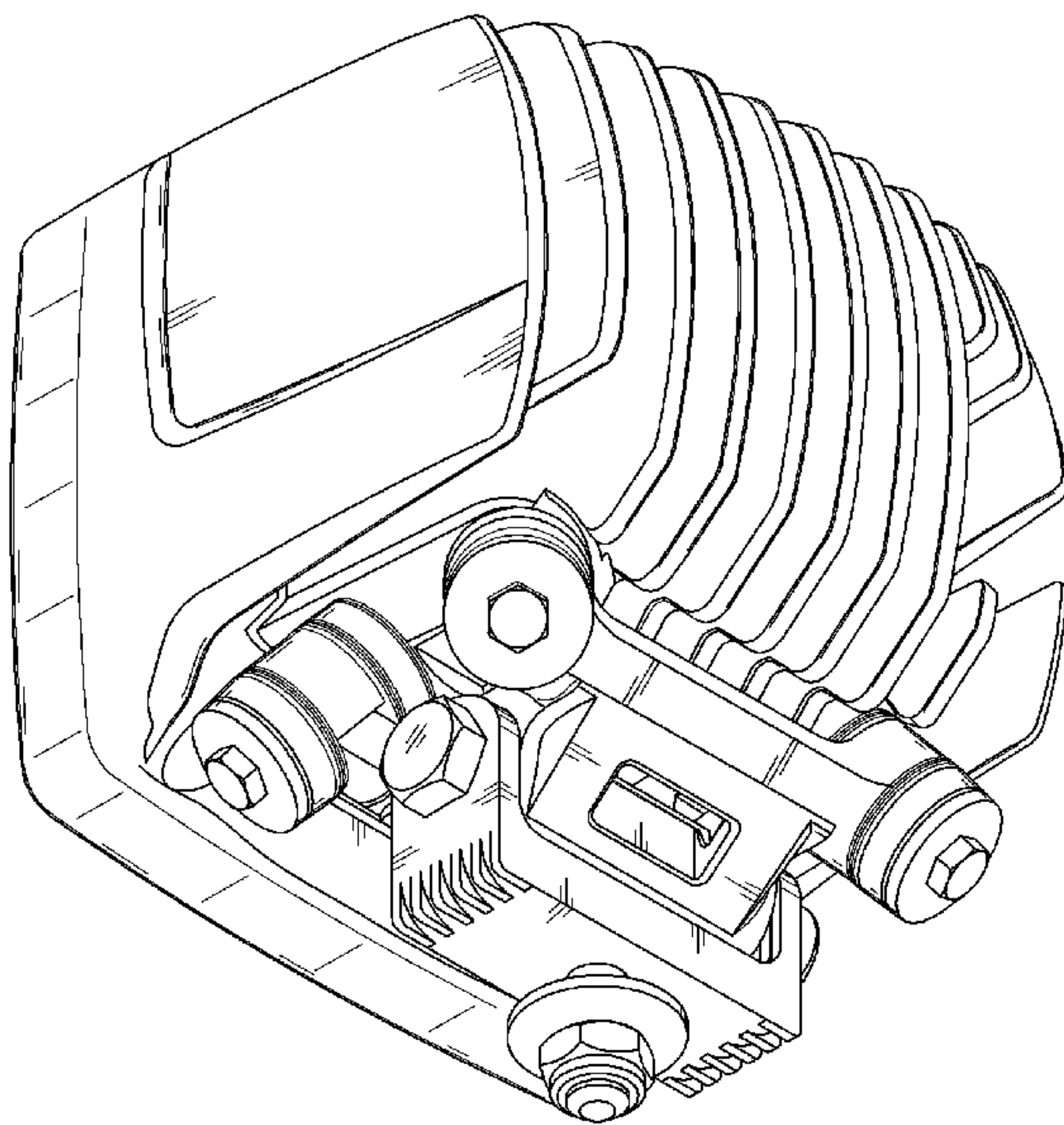
(57) **CLAIM**

The ornamental design for a worklight, as shown and described.

**DESCRIPTION**

FIG. 1 is a perspective view showing the rear, bottom and left side of the worklight of my new design;  
FIG. 2 is a front view thereof;  
FIG. 3 is a rear view thereof;  
FIG. 4 is a right side view thereof;  
FIG. 5 is a left side view thereof;  
FIG. 6 is a top view thereof; and,  
FIG. 7 is a bottom view of the claimed design.

**1 Claim, 4 Drawing Sheets**



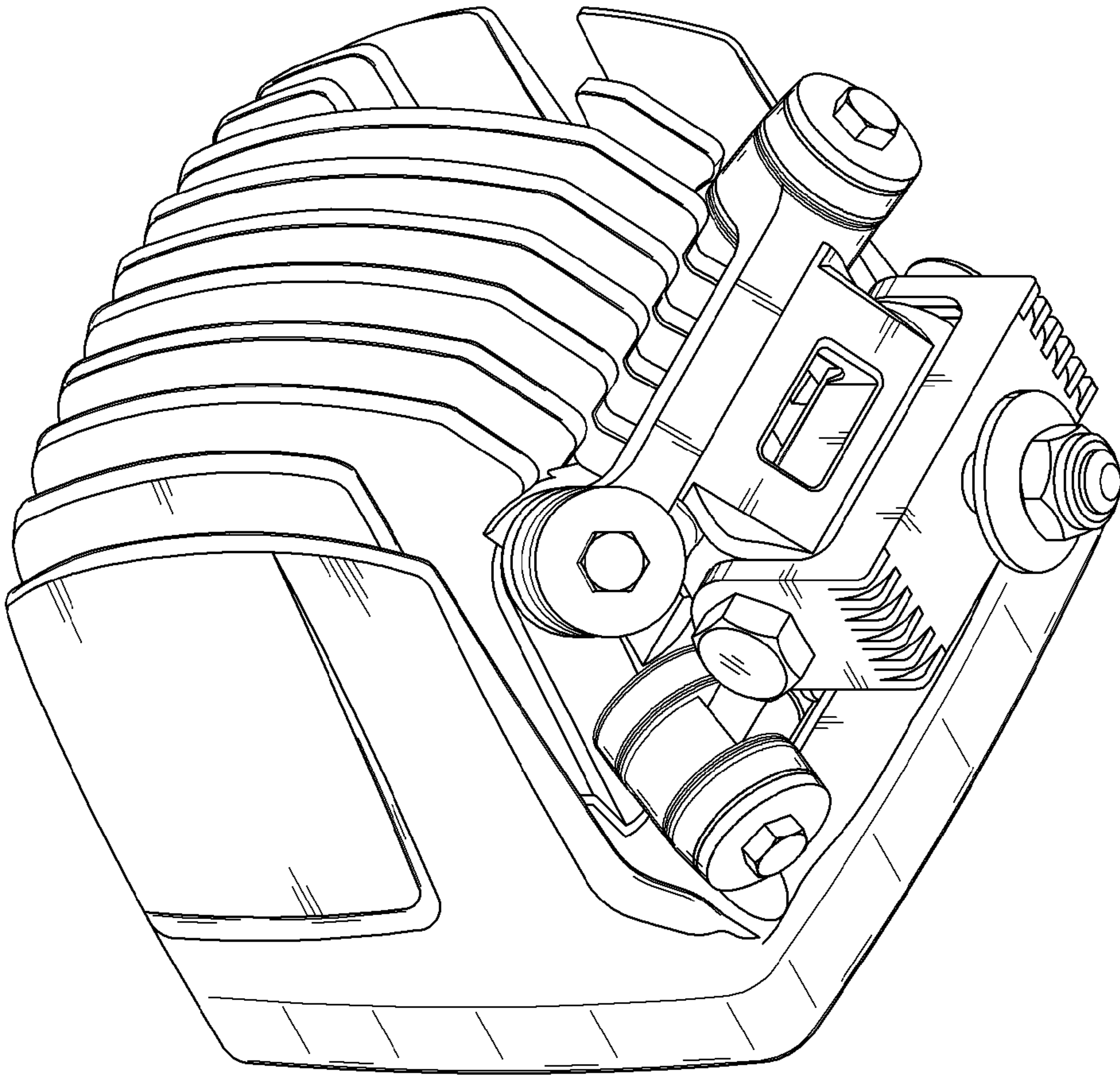


FIG. 1

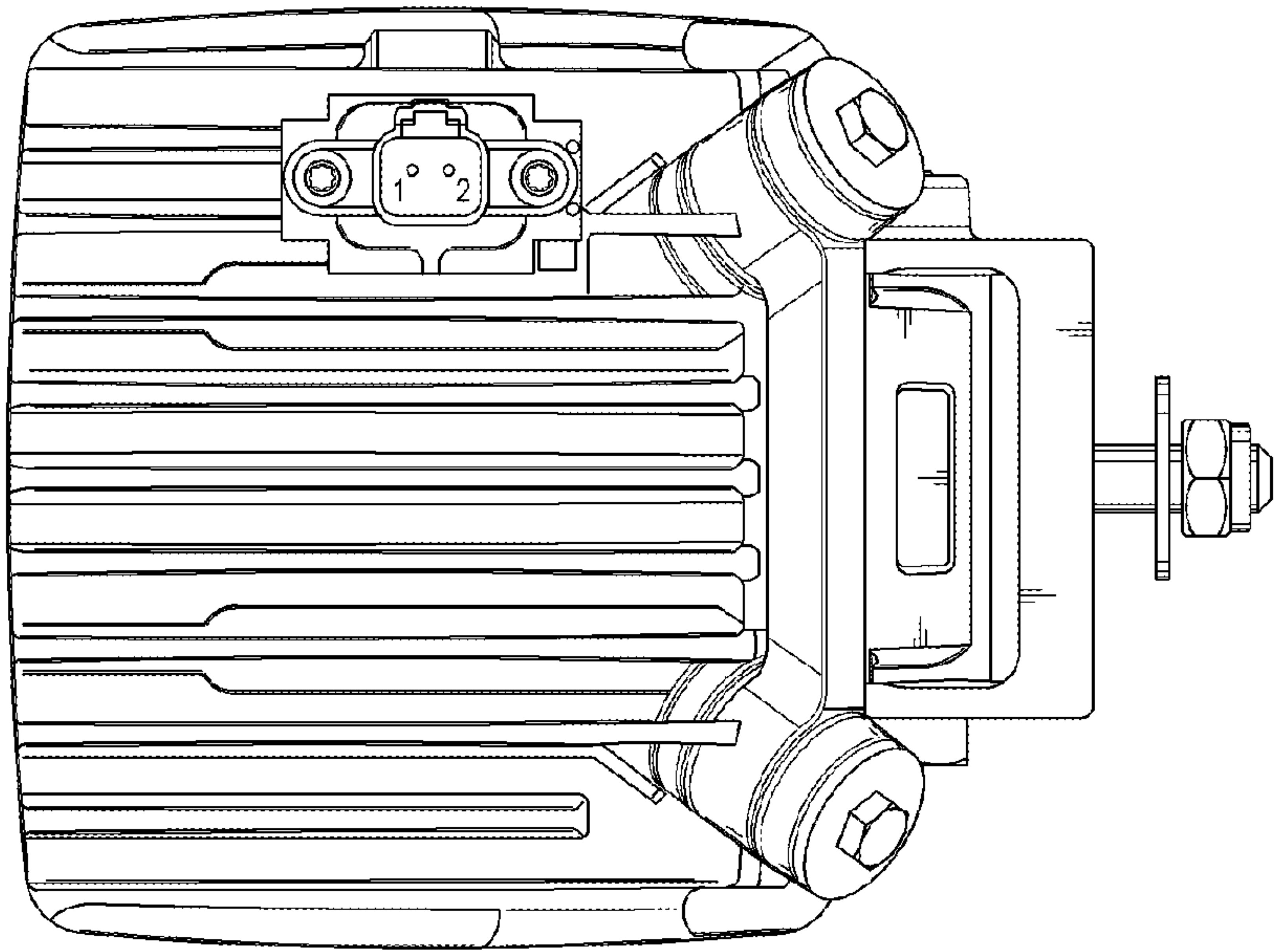


FIG. 3

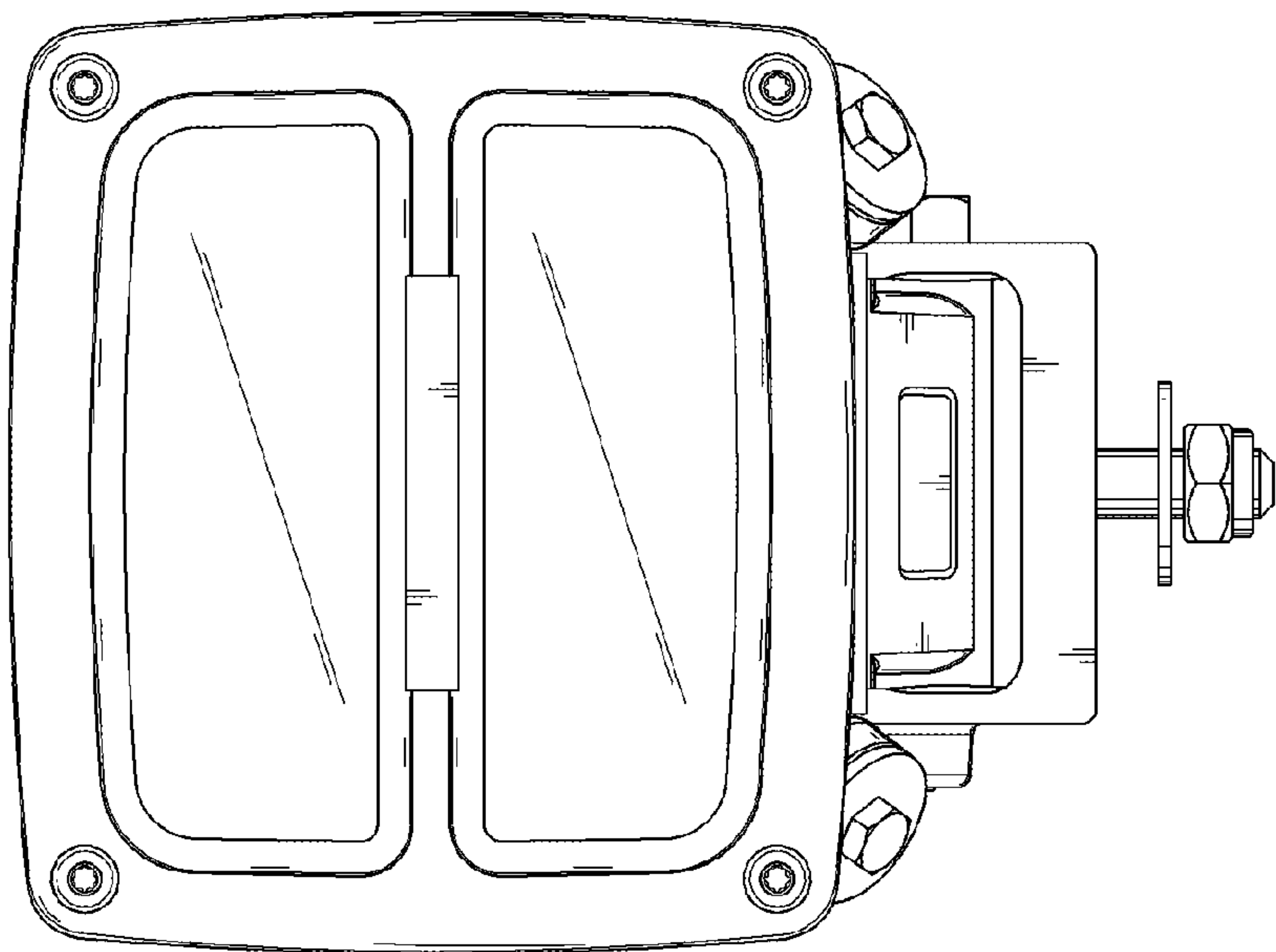


FIG. 2

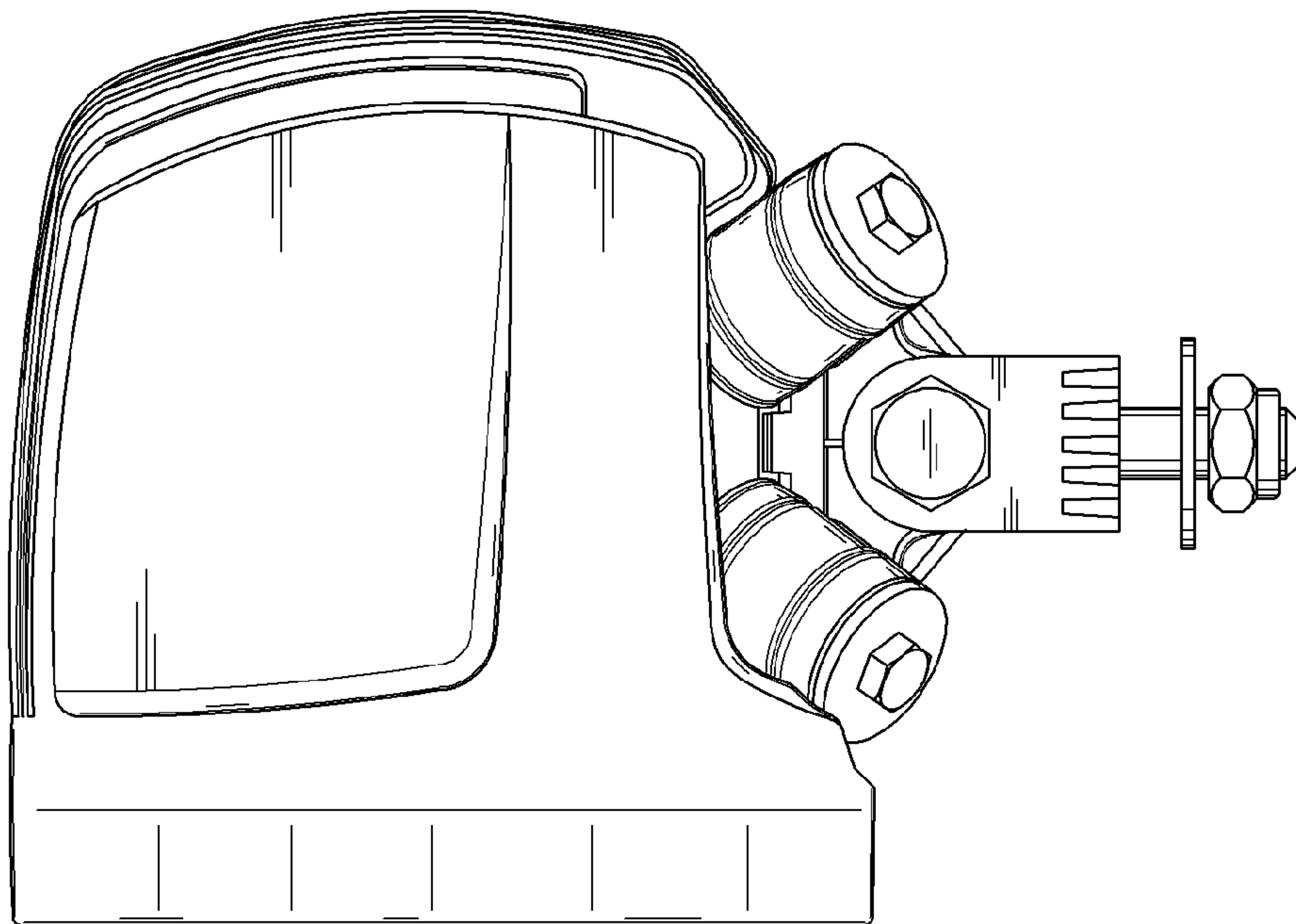


FIG. 5

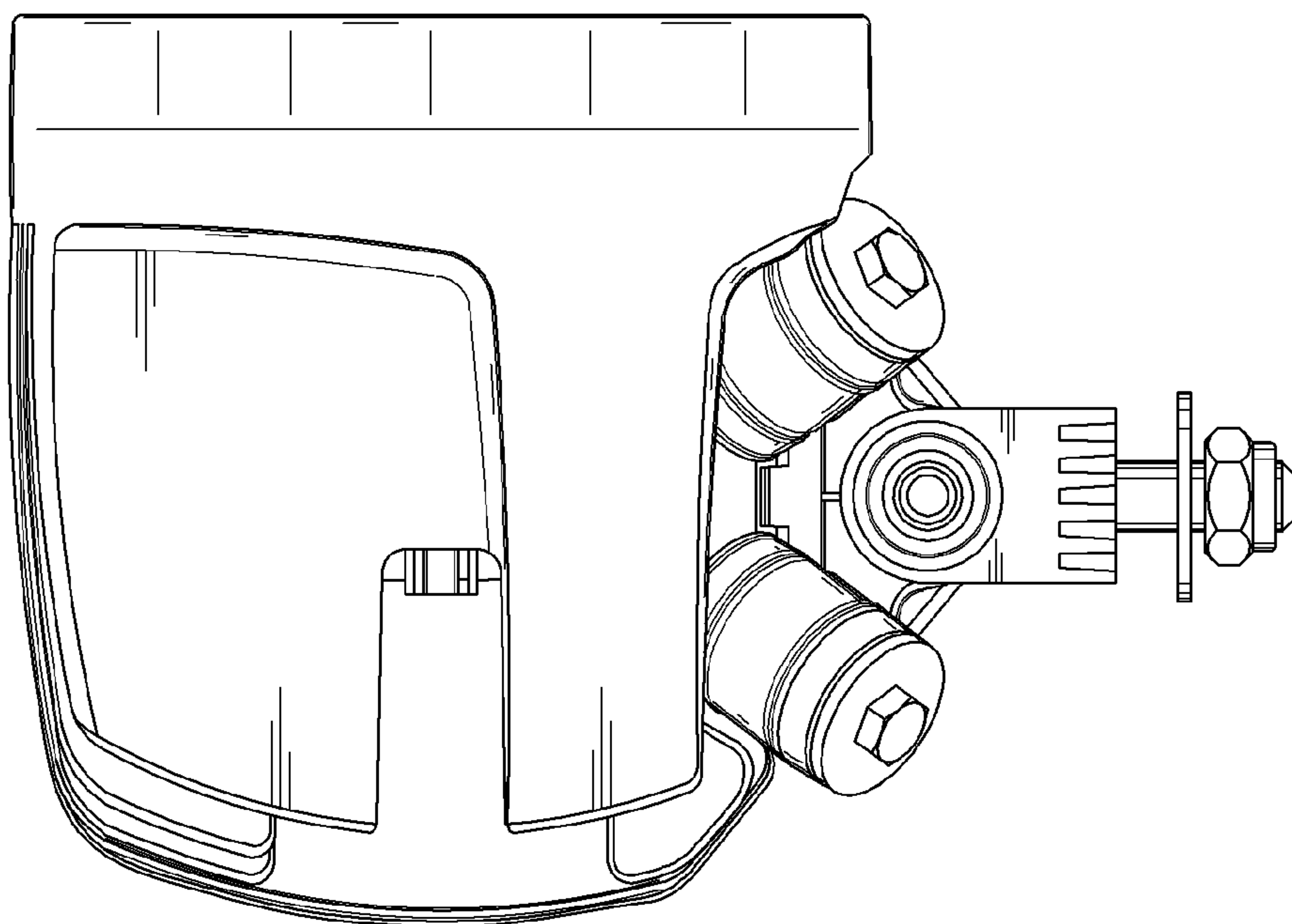


FIG. 4



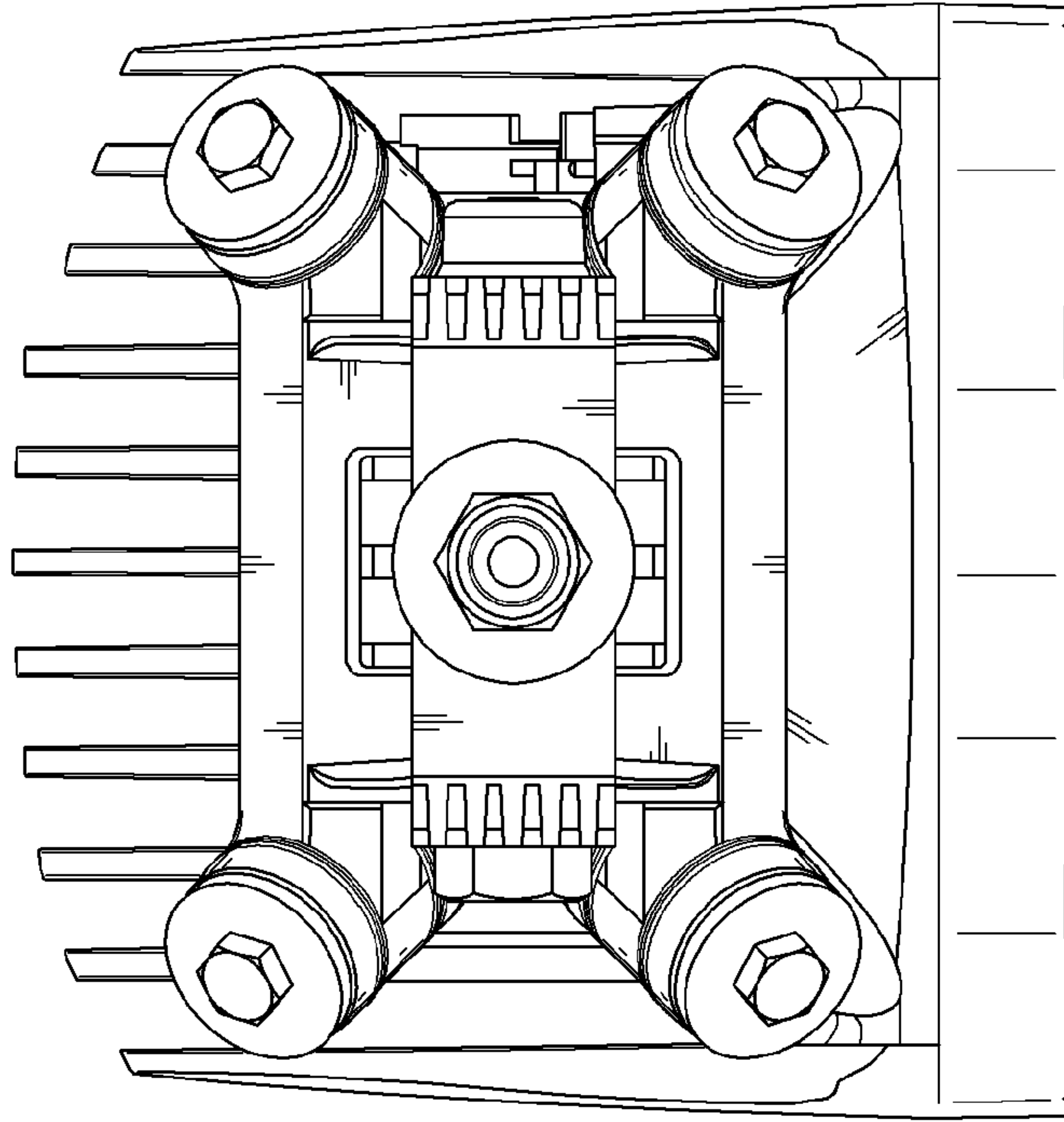


FIG. 7

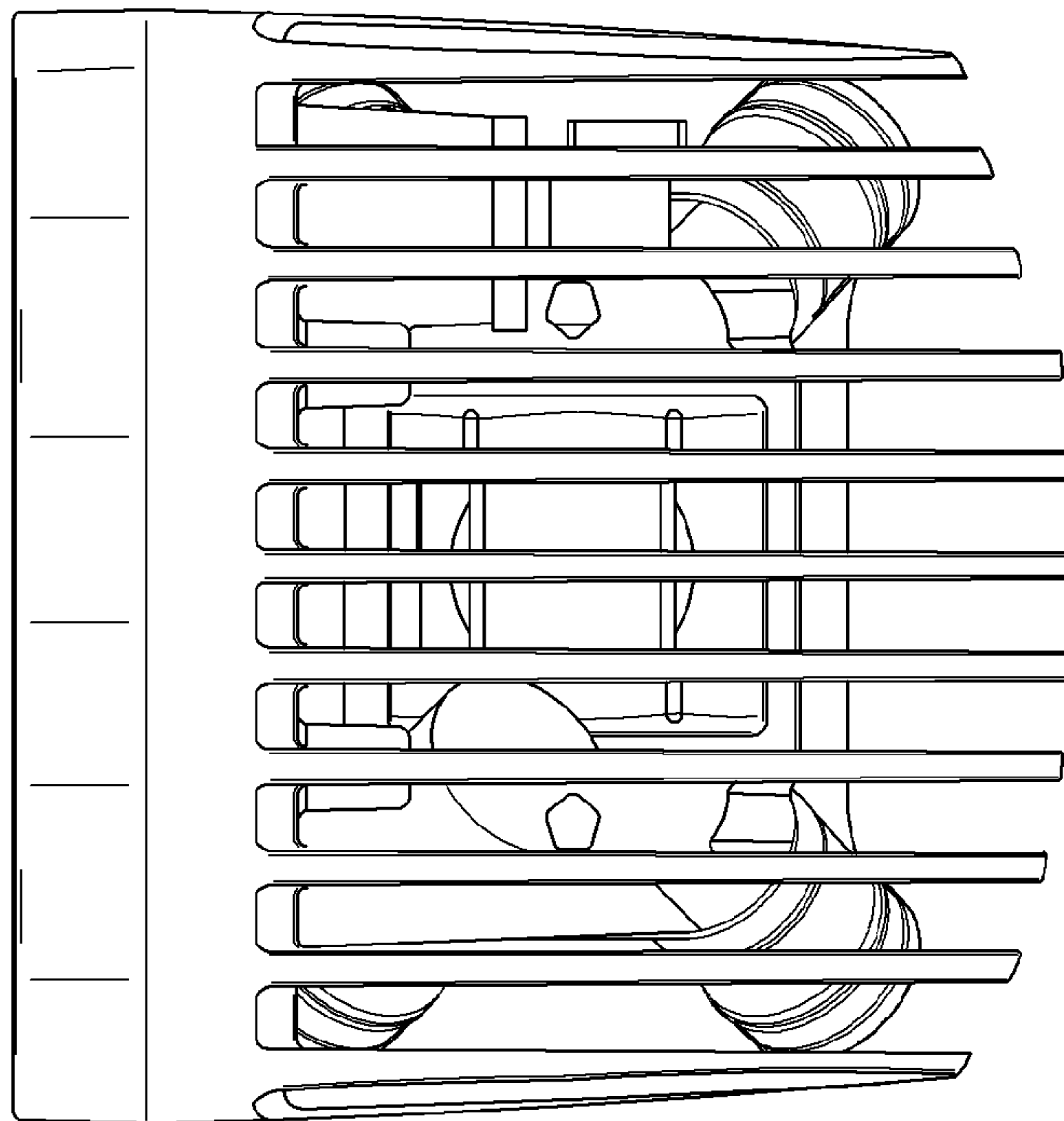


FIG. 6