

US00D698471S

(12) **United States Design Patent**  
**Poon**

(10) **Patent No.:** **US D698,471 S**

(45) **Date of Patent:** **\*\* Jan. 28, 2014**

(54) **FOLDING LANTERN**

(75) **Inventor:** **Tit Wing Poon**, New Territories (CN)

(73) **Assignee:** **Flying Dragon Development Limited**,  
New Territories (HK)

(\*\*) **Term:** **14 Years**

(21) **Appl. No.:** **29/427,103**

(22) **Filed:** **Jul. 13, 2012**

(51) **LOC (10) Cl.** ..... **26-02**

(52) **U.S. Cl.**  
USPC ..... **D26/37**

(58) **Field of Classification Search**  
USPC ..... D26/37, 38, 40, 41, 42, 51; 362/157,  
362/158, 171-174, 183, 184, 194-196,  
362/200-208, 253

See application file for complete search history.

(56) **References Cited**

**U.S. PATENT DOCUMENTS**

D288,371 S *	2/1987	Lacher et al. ....	D26/50
D342,800 S *	12/1993	Petterson et al. ....	D26/41
D350,830 S *	9/1994	Bamber .....	D26/42
D448,873 S *	10/2001	Dalton et al. ....	D26/37
D498,551 S *	11/2004	Chan .....	D26/37
D524,962 S *	7/2006	Farmer .....	D26/37
D553,771 S *	10/2007	Watson et al. ....	D26/37
D593,236 S *	5/2009	Ng et al. ....	D26/37
D611,632 S *	3/2010	Diehl .....	D26/50
D614,334 S *	4/2010	Thomson et al. ....	D26/38
D622,879 S *	8/2010	Kotsis et al. ....	D26/37
D630,355 S *	1/2011	Gulker .....	D26/37

D643,560 S *	8/2011	Tompkin .....	D26/40
D663,454 S *	7/2012	Sham .....	D26/37
D665,522 S *	8/2012	Werner et al. ....	D26/37
2006/0146523 A1 *	7/2006	Yuen .....	362/183

\* cited by examiner

*Primary Examiner* — Ian Simmons

*Assistant Examiner* — Carissa C Fitts

(74) *Attorney, Agent, or Firm* — Rabin & Berdo, P.C.

(57) **CLAIM**

The ornamental design for a folding lantern, as shown and described.

**DESCRIPTION**

FIG. 1 is a front view of a folding lantern showing my new design;

FIG. 2 is a rear view thereof;

FIG. 3 is a top view thereof;

FIG. 4 is a bottom view thereof

FIG. 5 is a left side view thereof;

FIG. 6 is a right side view thereof;

FIG. 7 is a rear side perspective view thereof;

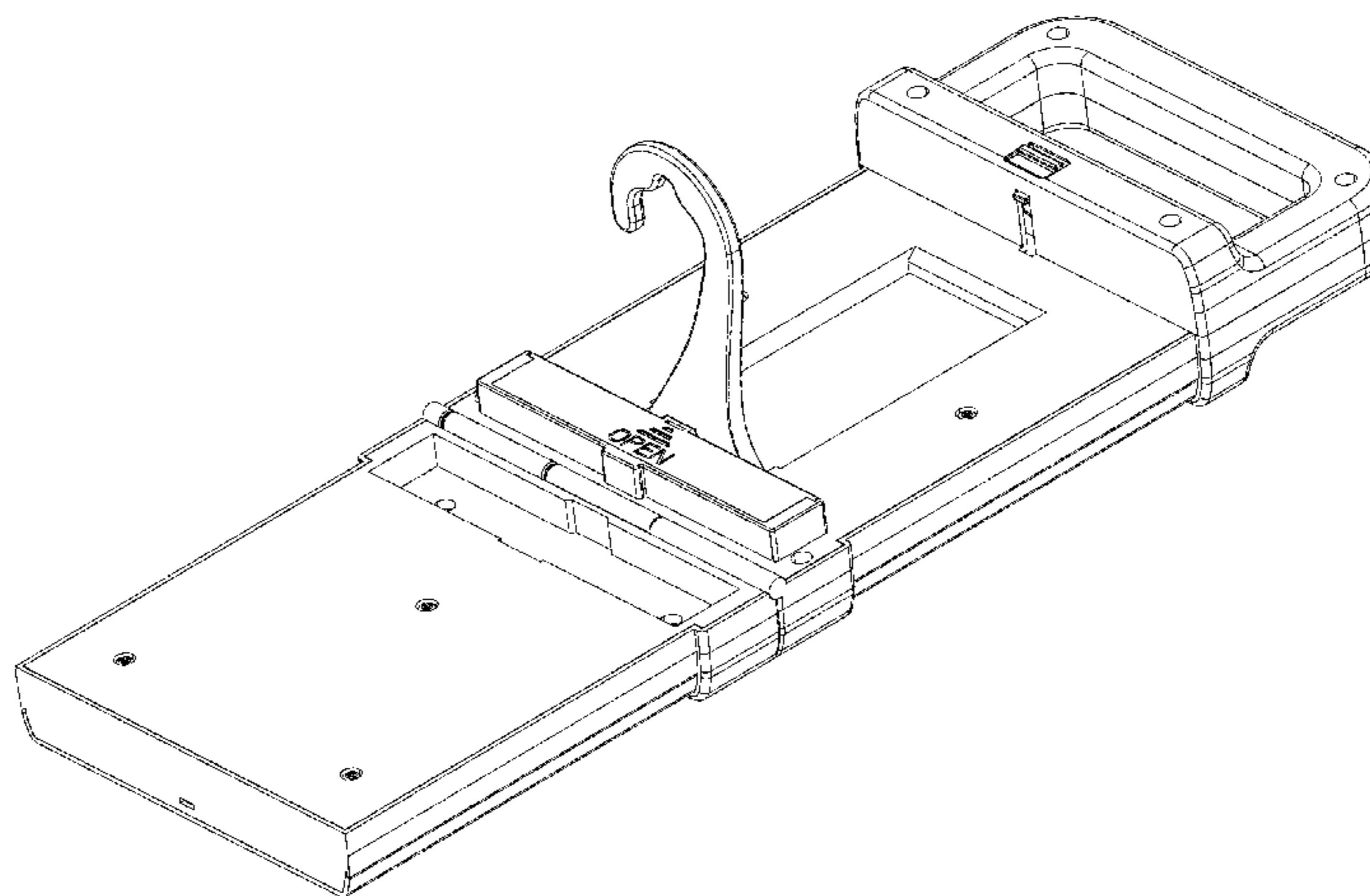
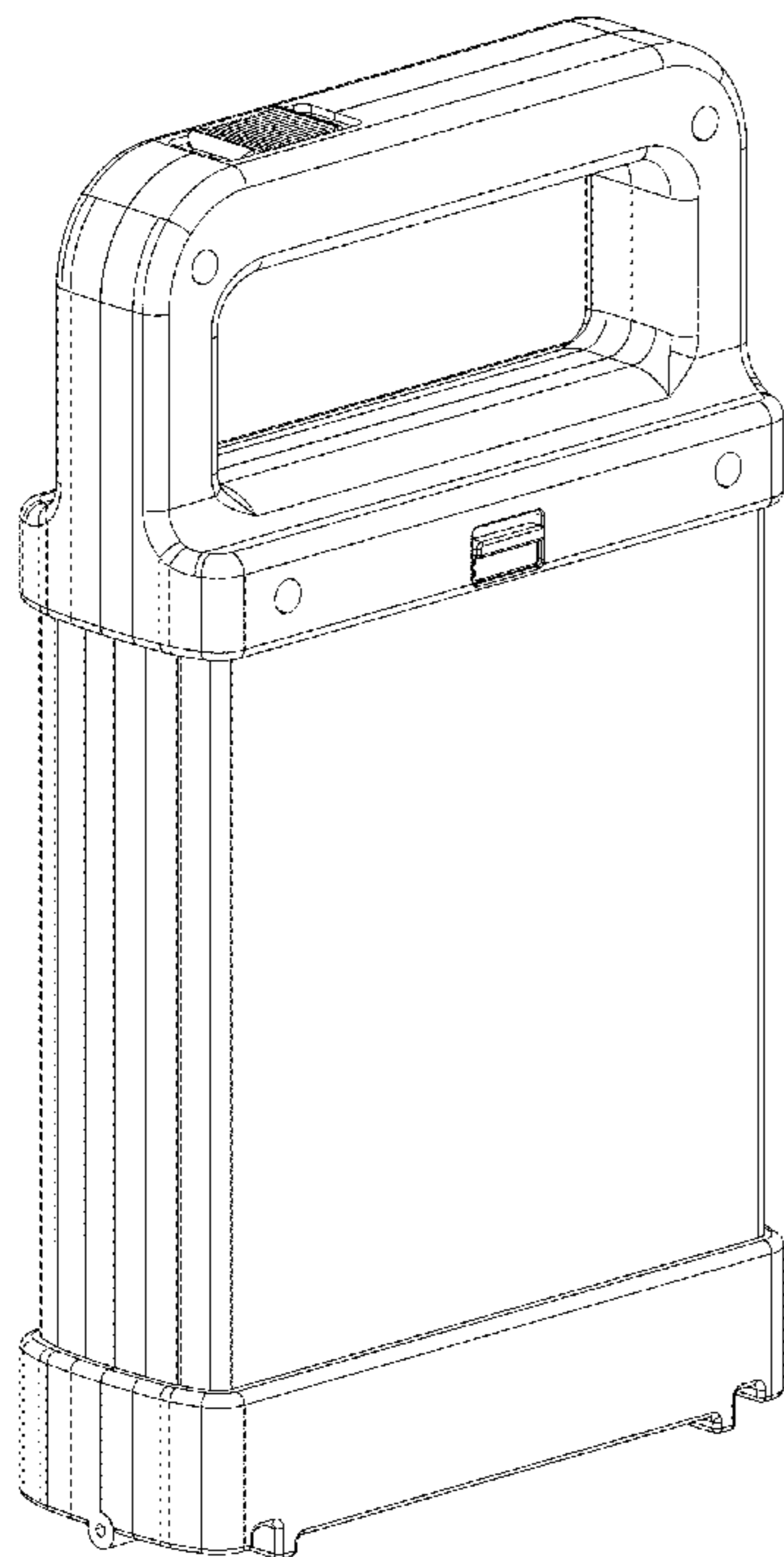
FIG. 8 is a front side perspective view thereof,

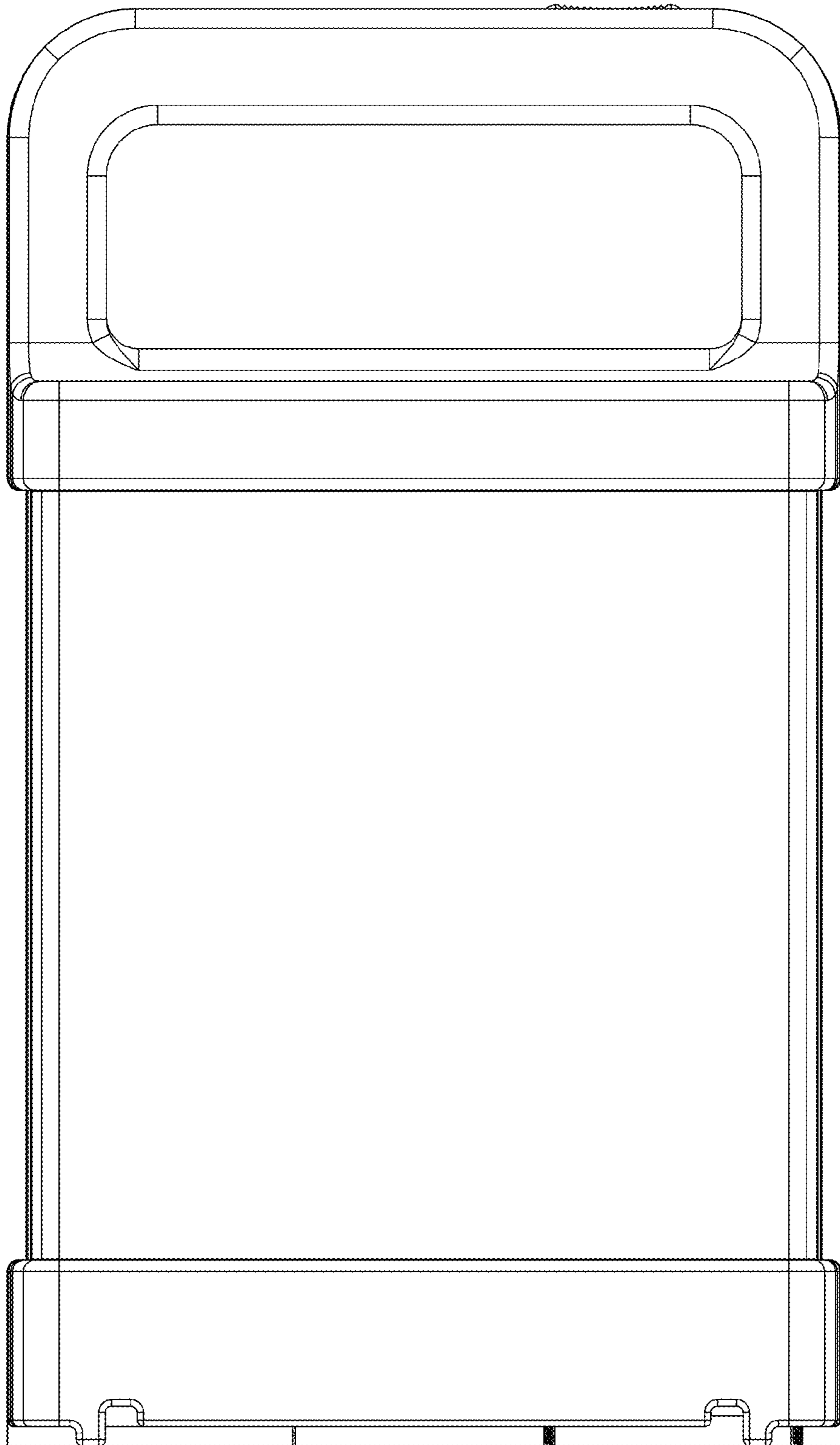
FIG. 9 is a top perspective view with the body opened thereof; and,

FIG. 10 is a bottom perspective view with the body opened.

The broken line showing is for environmental purposes only and forms no part of the claimed design.

**1 Claim, 8 Drawing Sheets**





**FIG. 1**

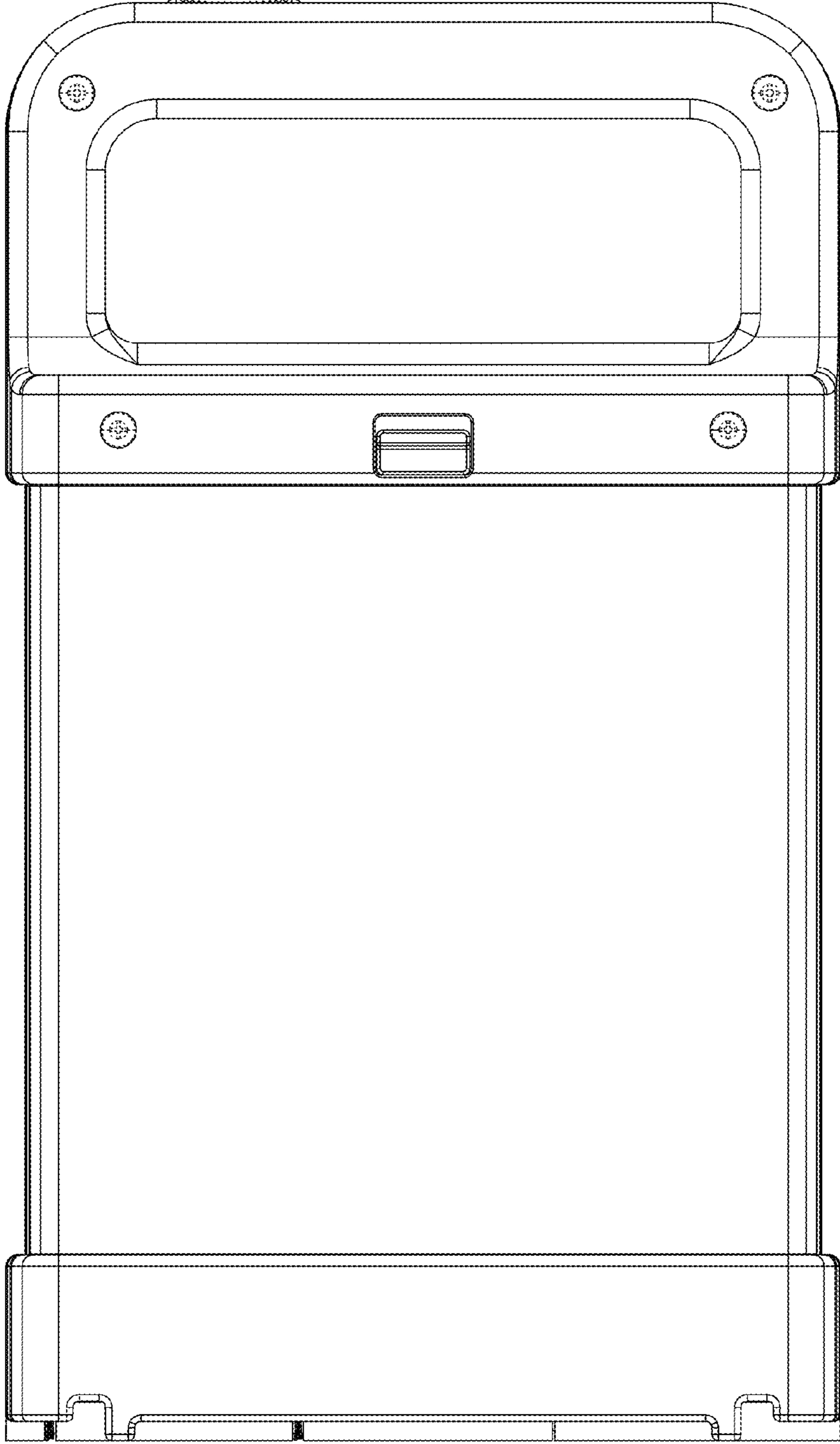
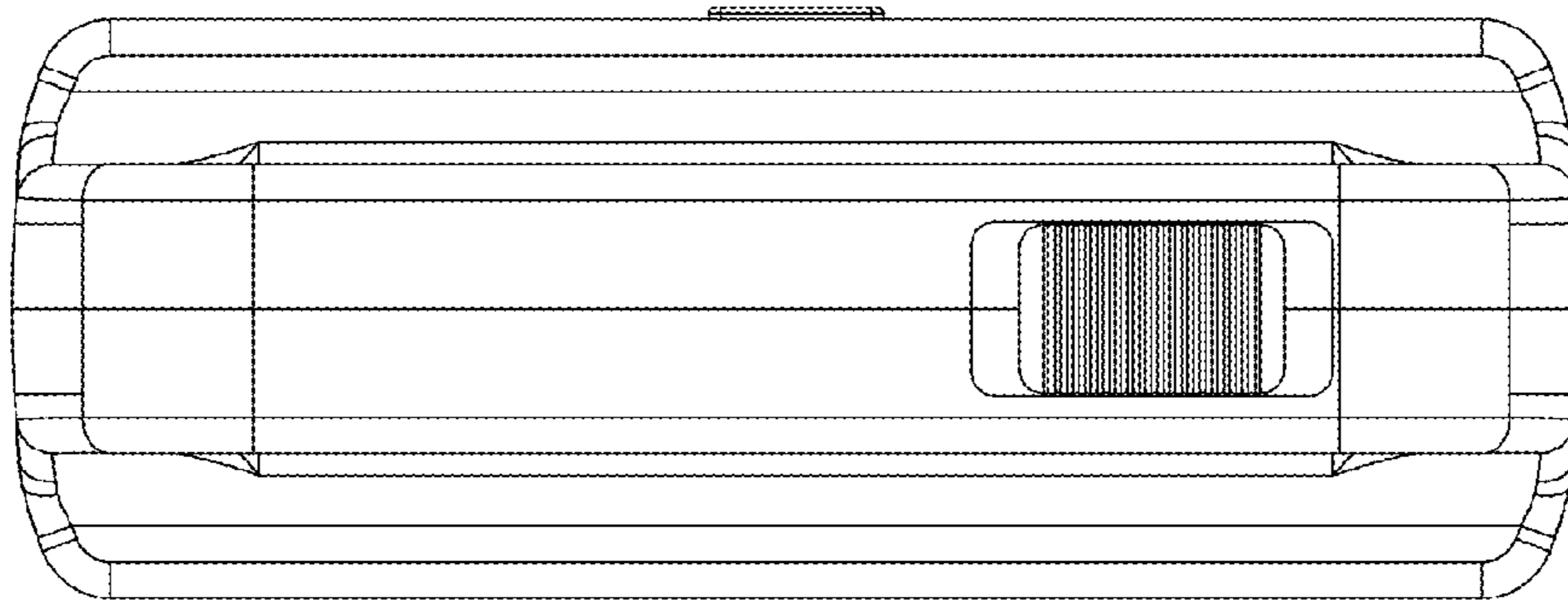
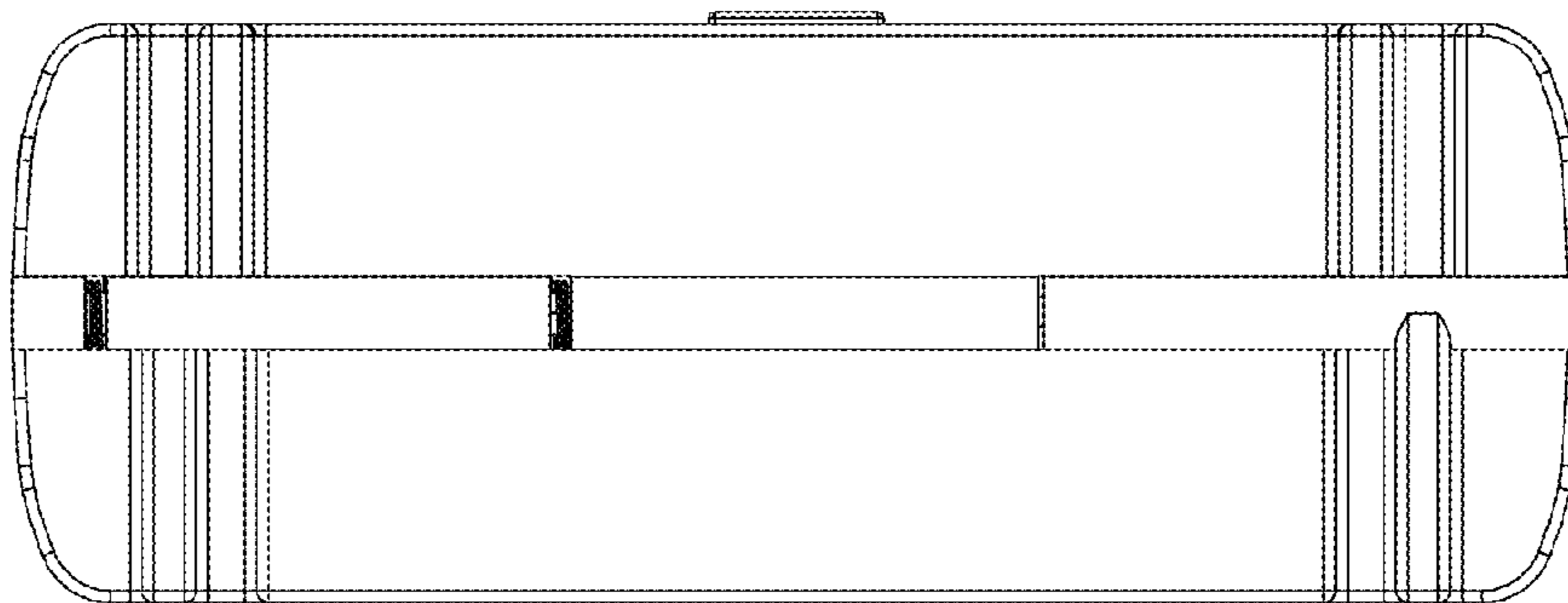


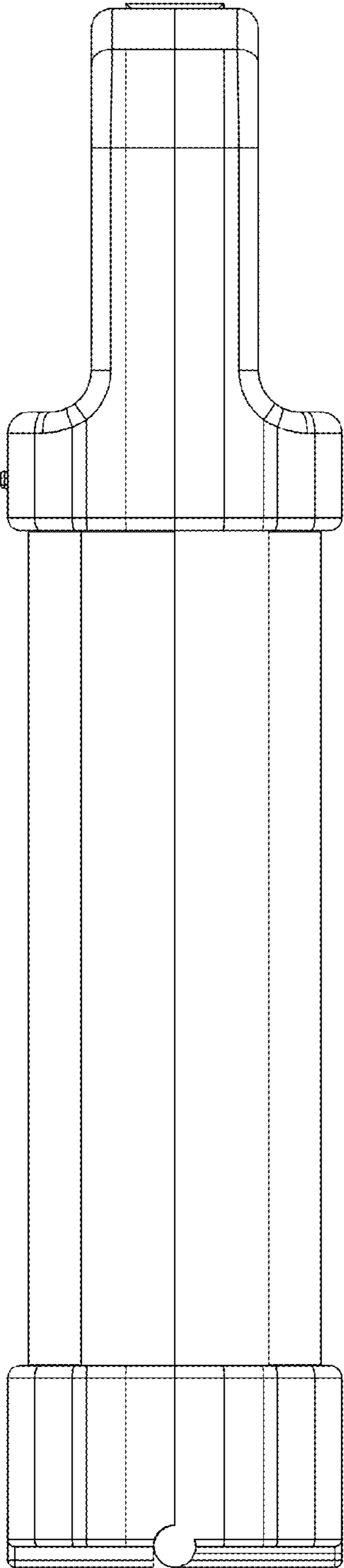
FIG. 2



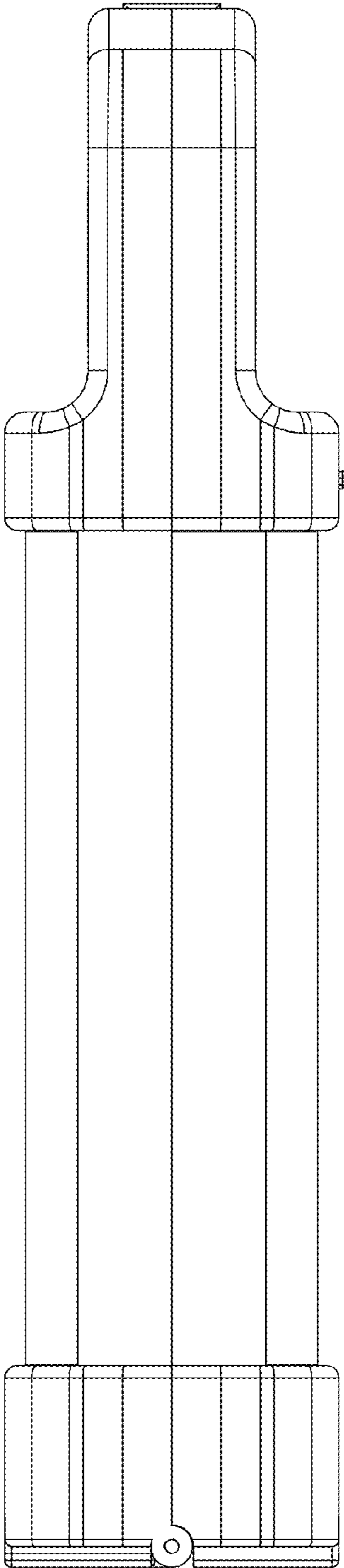
**FIG. 3**



**FIG. 4**

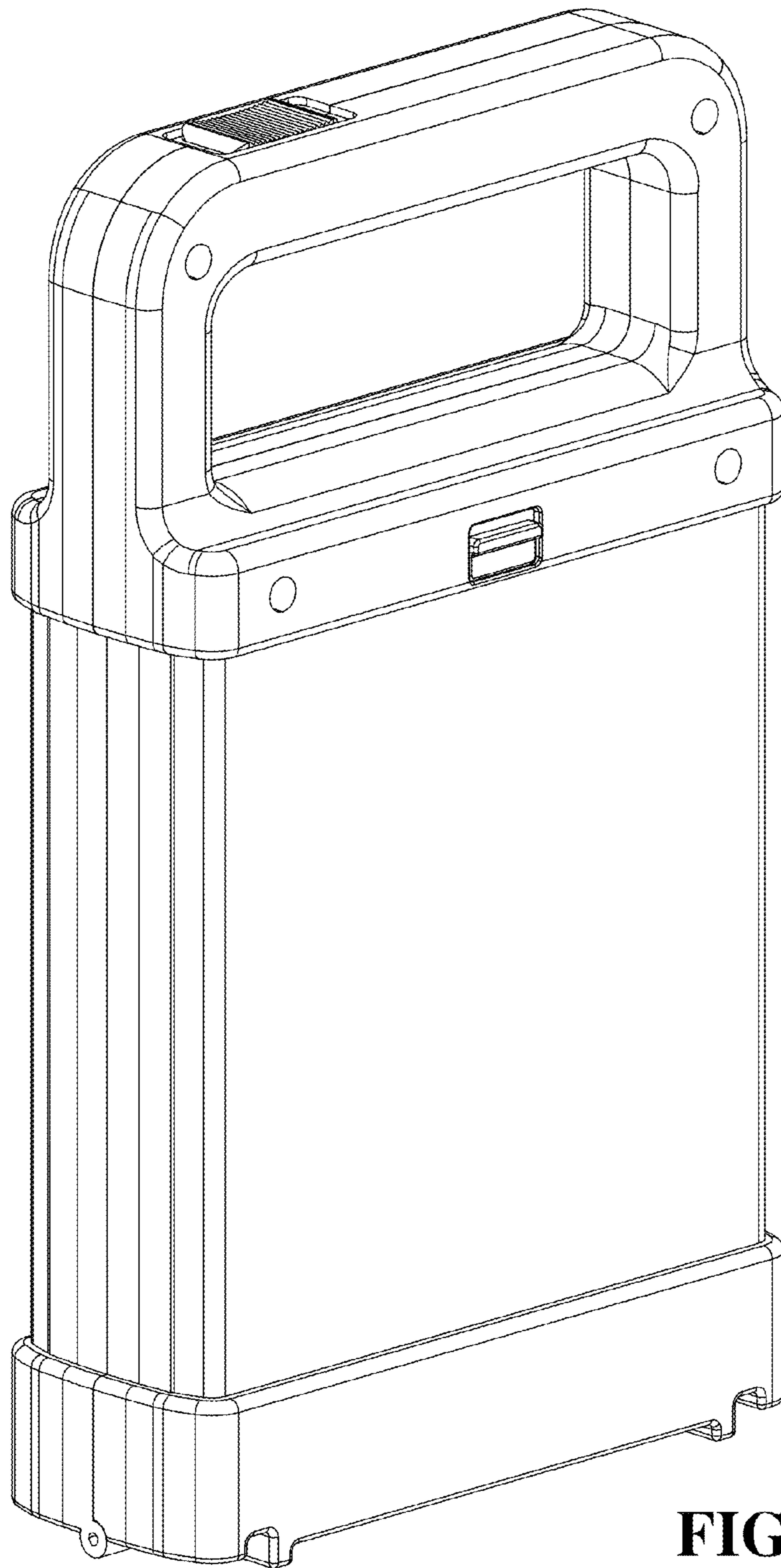


**FIG. 5**

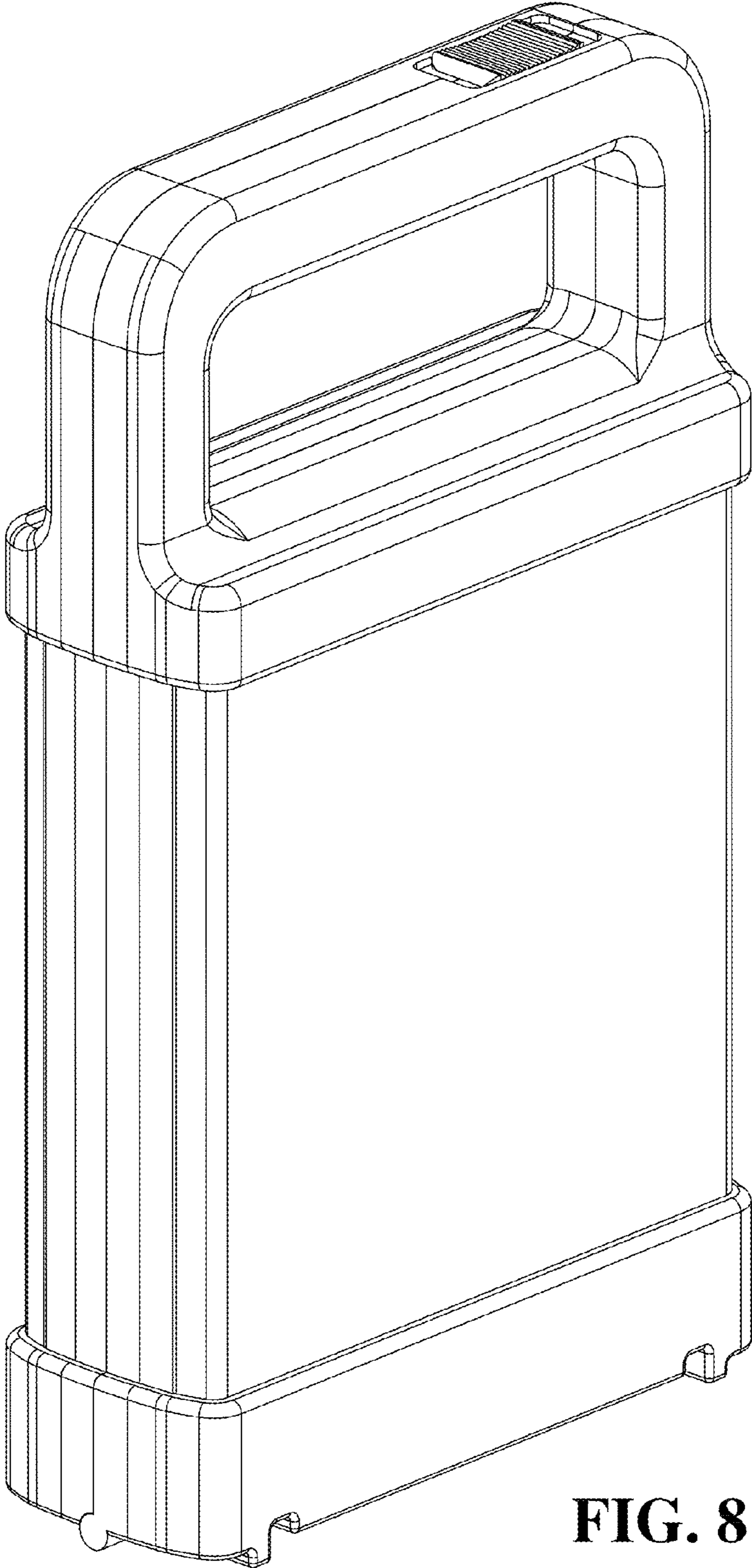


**FIG. 6**





**FIG. 7**



**FIG. 8**

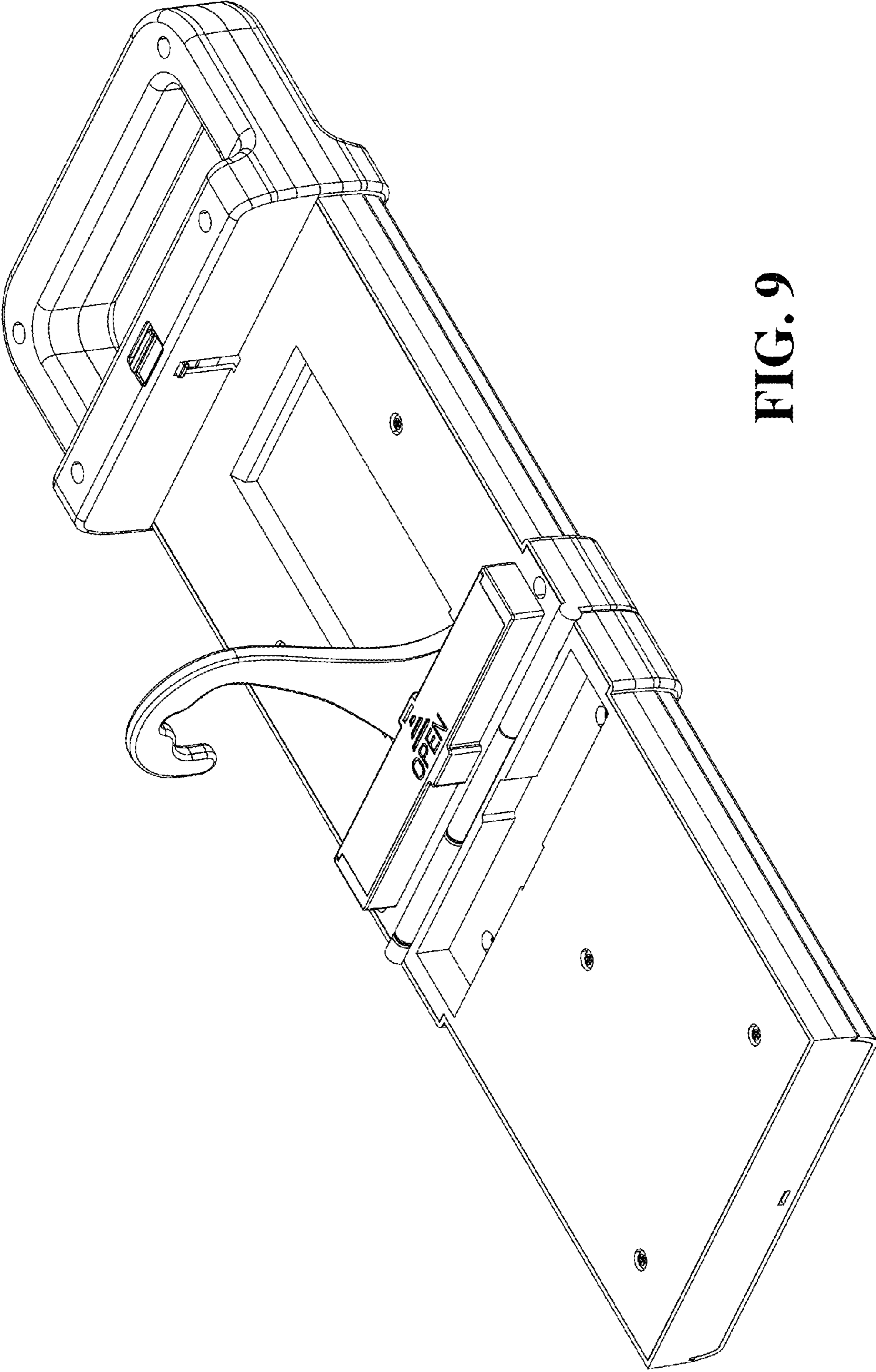


FIG. 9



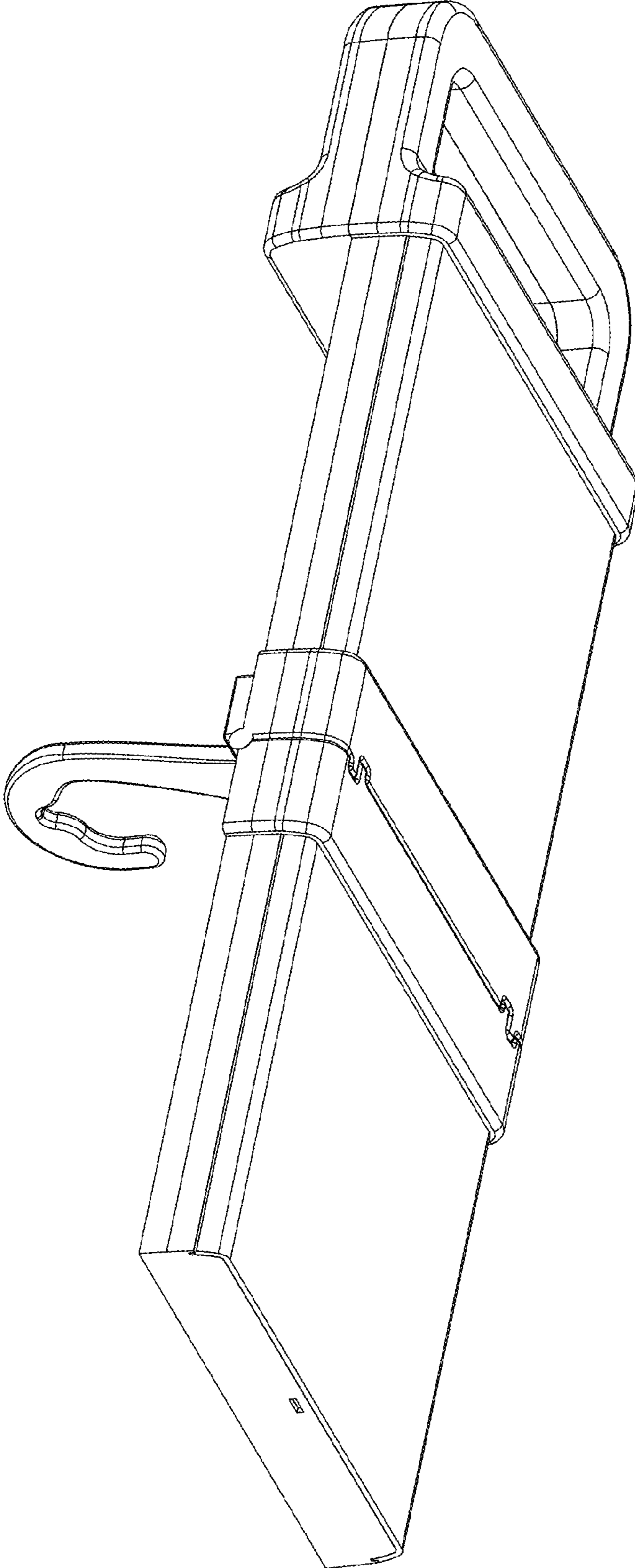


FIG. 10