

US00D698465S

(12) **United States Design Patent Bill**

(10) **Patent No.:** US D698,465 S
(45) **Date of Patent:** ** Jan. 28, 2014

- (54) **FENCE LINE WEED GUARD**
- (71) Applicant: **Ian Bill**, Milton (CA)
- (72) Inventor: **Ian Bill**, Milton (CA)
- (**) Term: **14 Years**
- (21) Appl. No.: **29/459,198**
- (22) Filed: **Jun. 27, 2013**

Related U.S. Application Data

- (62) Division of application No. 12/651,584, filed on Jan. 4, 2010.
- (51) **LOC (10) Cl.** **25-01**
- (52) **U.S. Cl.**
USPC **D25/119; D25/164**
- (58) **Field of Classification Search**
USPC D25/164, 119; 256/1, 19; 47/32.7, 33
See application file for complete search history.

References Cited

U.S. PATENT DOCUMENTS

3,515,373	A *	6/1970	Abbe	256/32
3,545,127	A	12/1970	Jensen		
3,713,624	A	1/1973	Niemann		
3,806,096	A	4/1974	Eccleston et al.		
4,349,989	A	9/1982	Snider, Jr.		
4,595,175	A	6/1986	Kauffman et al.		
RE33,037	E	8/1989	Kauffman et al.		
5,178,369	A	1/1993	Syx		
D367,538	S *	2/1996	Varin	D25/119
6,505,819	B1	1/2003	Damon et al.		
6,561,491	B2	5/2003	Thompson et al.		
7,004,458	B1	2/2006	Grubba et al.		
D558,903	S *	1/2008	Purvis	D25/164
D598,142	S *	8/2009	Kircher	D25/164
2004/0251456	A1 *	12/2004	Oden et al.	256/1

* cited by examiner

Primary Examiner — Doris Clark
(74) *Attorney, Agent, or Firm* — Montgomery Patent & Design; Robert C. Montgomery

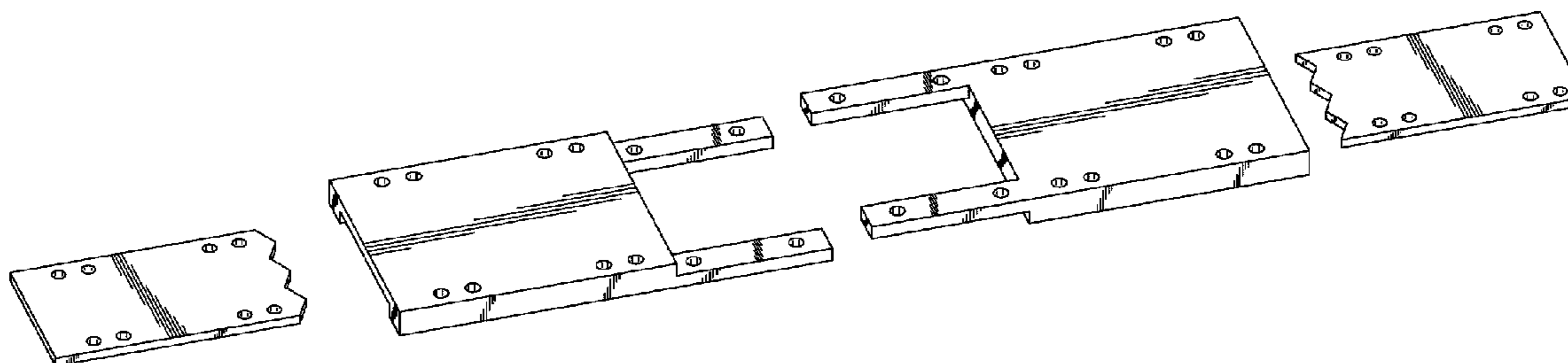
(57) **CLAIM**

The ornamental design for a fence line weed guard, as shown and described.

DESCRIPTION

FIG. 1 is an isometric view of a strip portion of indefinite length, a left hand member portion, and a right hand member portion of a fence line weed guard;
 FIG. 2 is an isometric view of the strip portion of indefinite length of the fence line weed guard;
 FIG. 3 is a front view of FIG. 2, wherein a rear view is a mirror image of the front view;
 FIG. 4 is a left-hand side view of FIG. 2, wherein a right-hand side view is a mirror image of the left-hand side view;
 FIG. 5 is a top view of FIG. 2, wherein a bottom view is a mirror image of the top view;
 FIG. 6 is an isometric view of the left hand member portion of the fence line weed guard;
 FIG. 7 is a front view of FIG. 6, wherein a rear view is a mirror image of the front view;
 FIG. 8 is a left-hand side view of FIG. 6;
 FIG. 9 is a right-hand side view of FIG. 6;
 FIG. 10 is a top view of FIG. 6;
 FIG. 11 is a bottom view of FIG. 6;
 FIG. 12 is an isometric view of the right hand member portion of the fence line weed guard;
 FIG. 13 is a front view of FIG. 12, wherein a rear view is a mirror image of the front view;
 FIG. 14 is a left-hand side view of FIG. 12;
 FIG. 15 is a right-hand side view of FIG. 12;
 FIG. 16 is a top view of FIG. 12; and,
 FIG. 17 is a bottom view of FIG. 12.

1 Claim, 17 Drawing Sheets



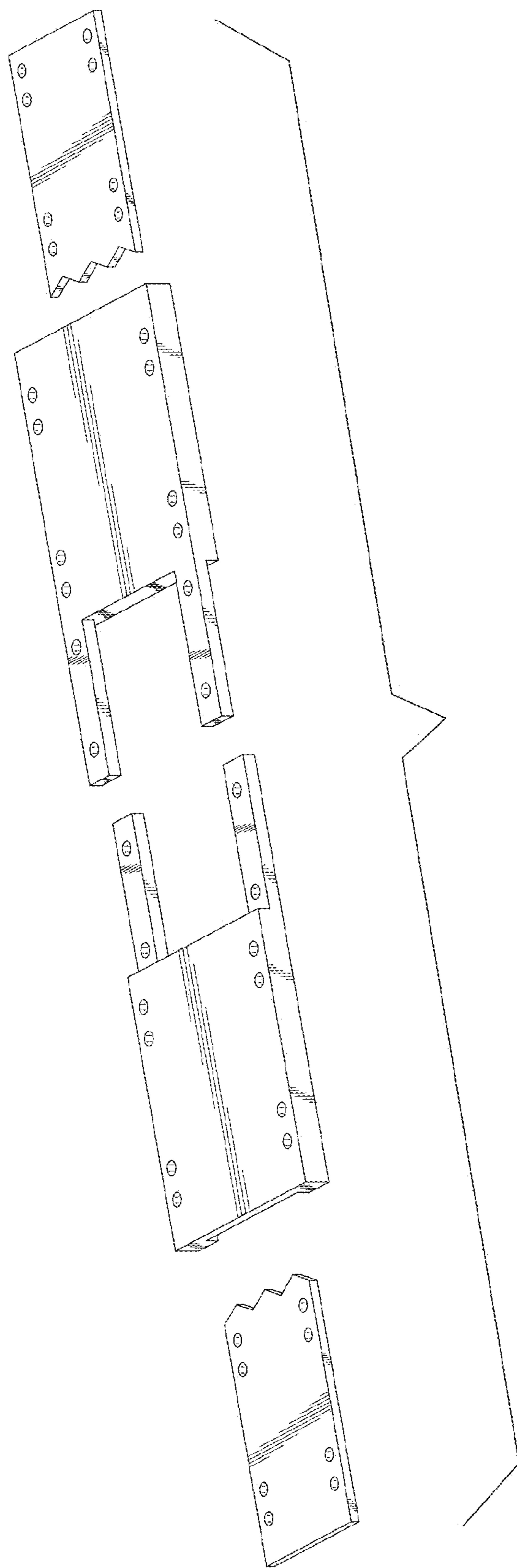


Fig. 1

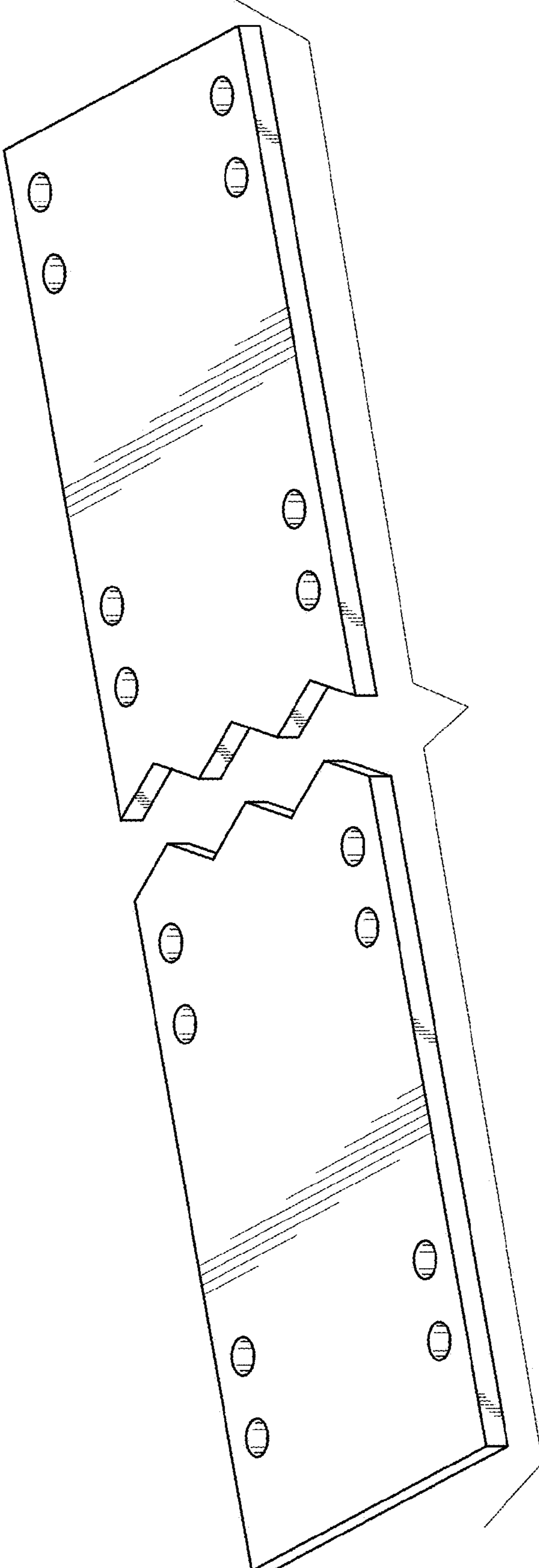


Fig. 2

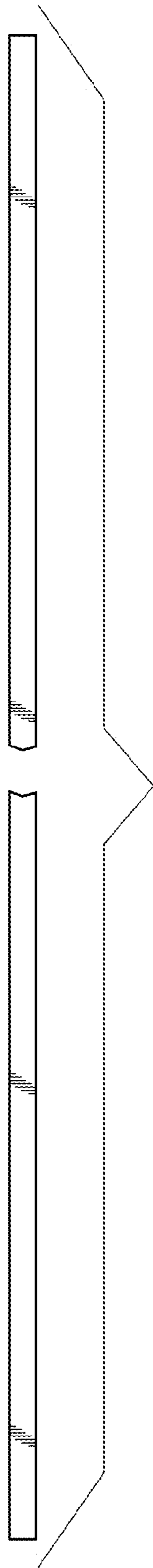


Fig. 3



Fig. 4

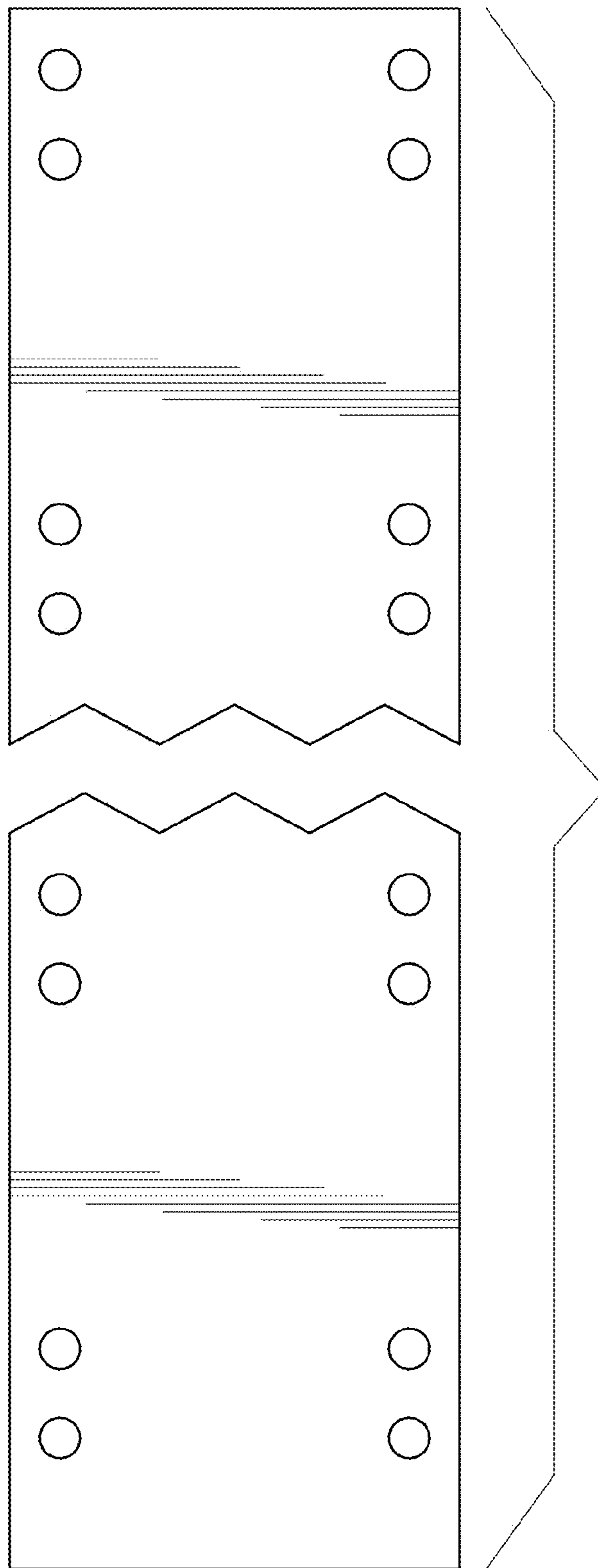


Fig. 5

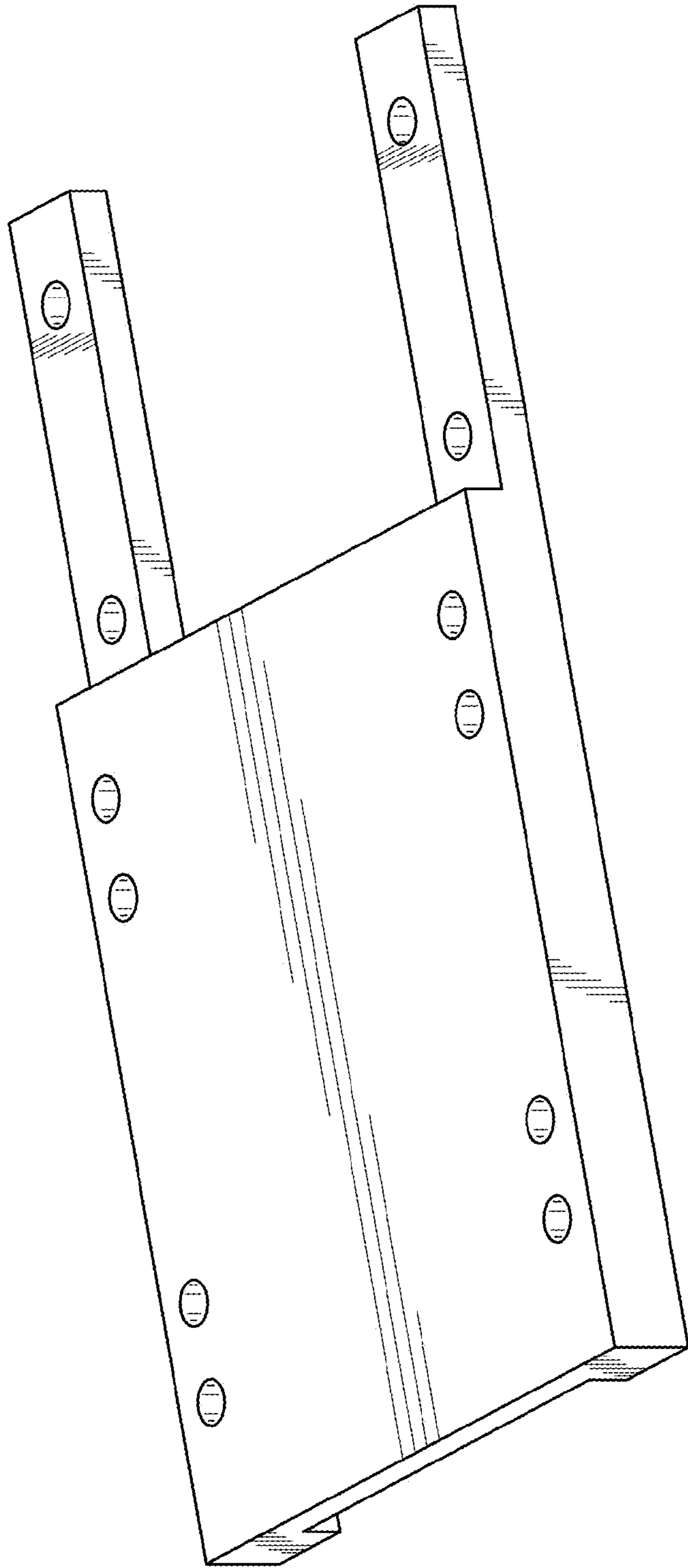


Fig. 6

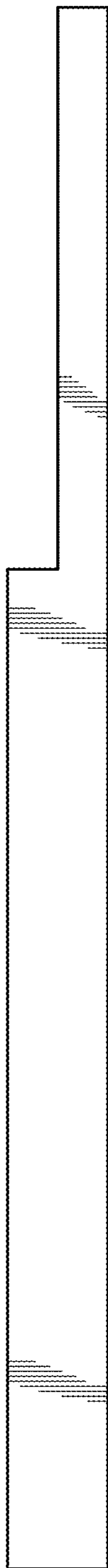


Fig. 7

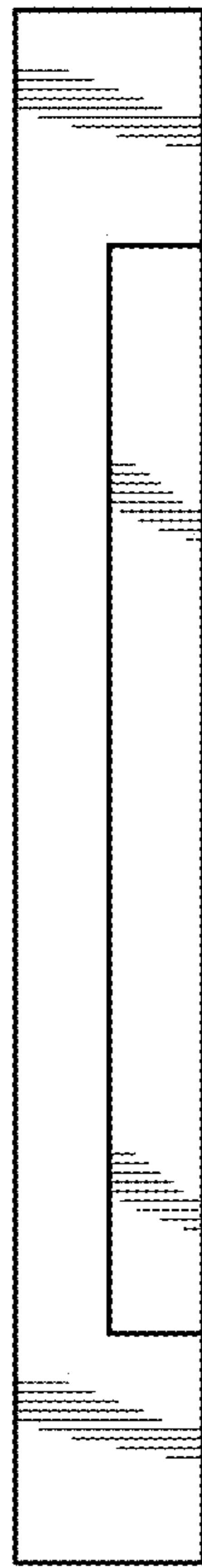


Fig. 8

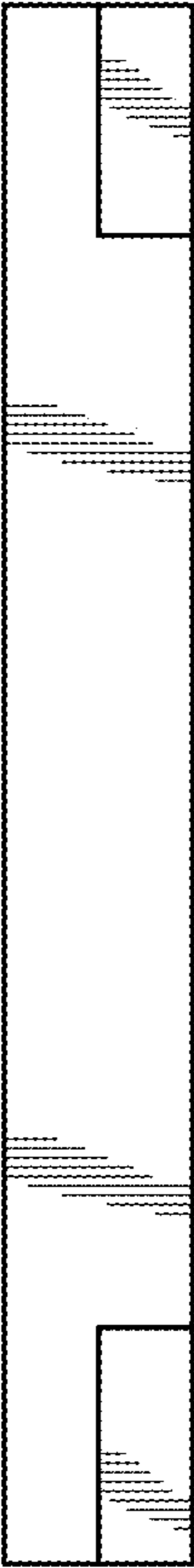


Fig. 9

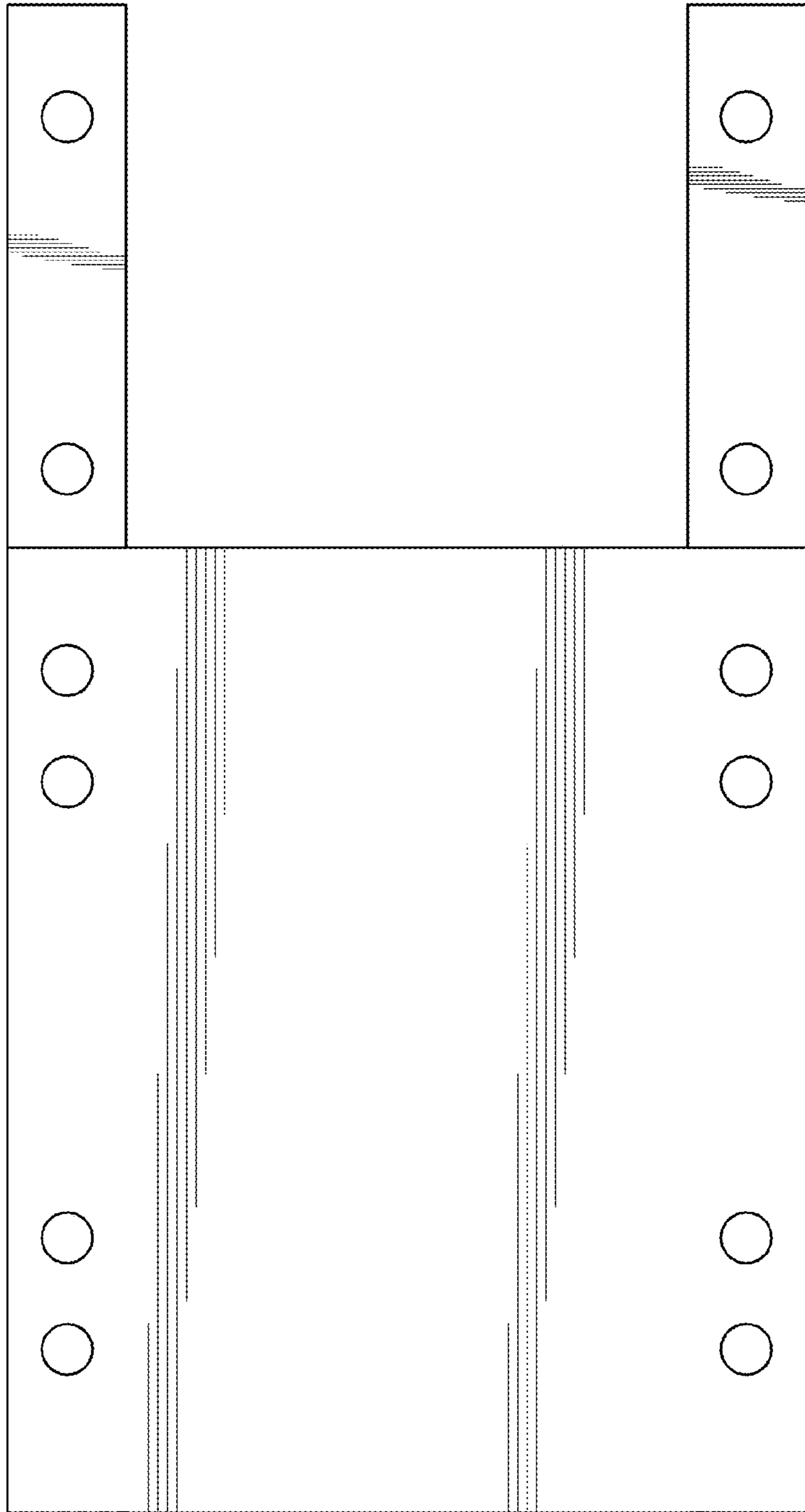


Fig. 10

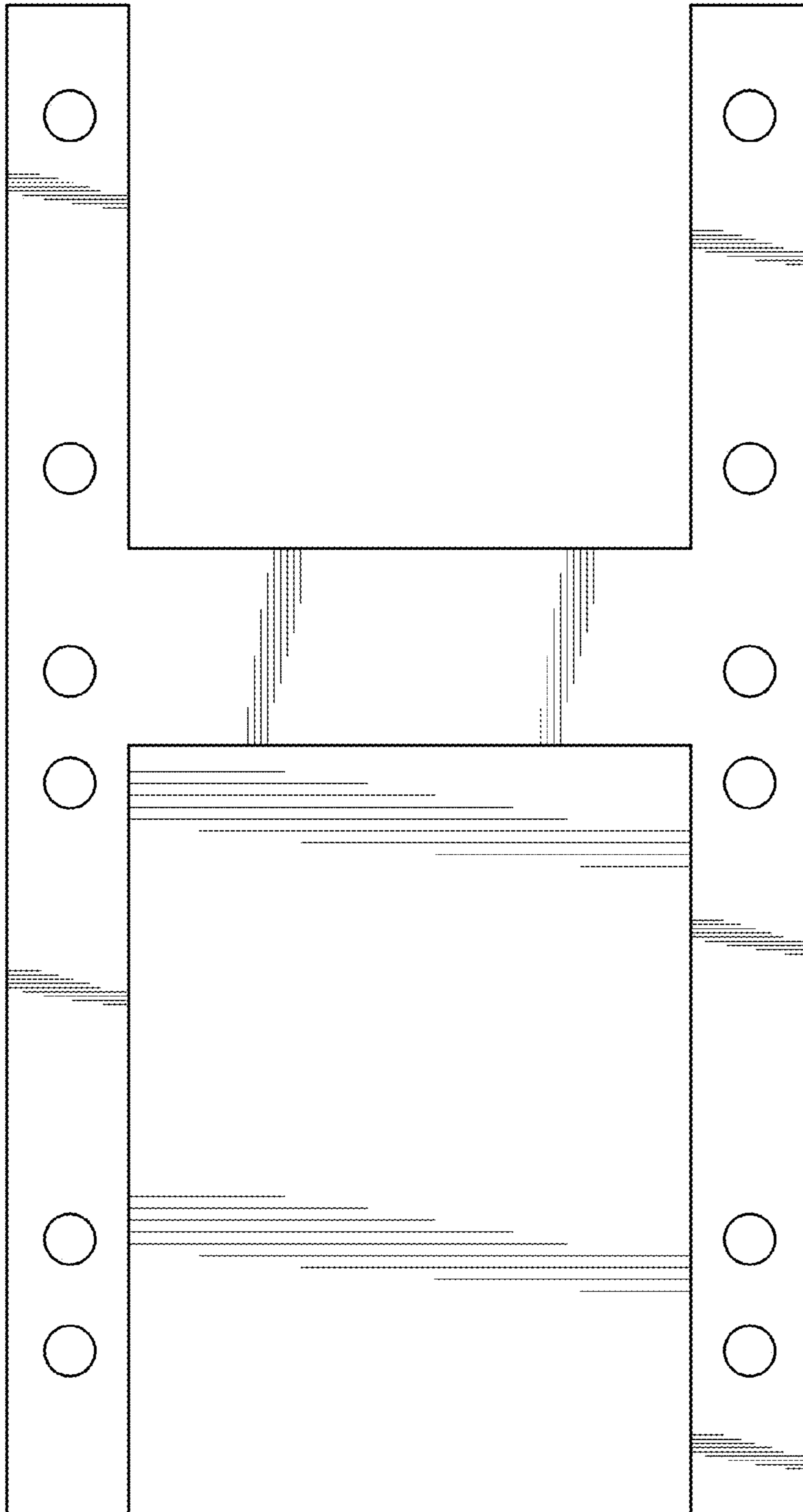


Fig. 11

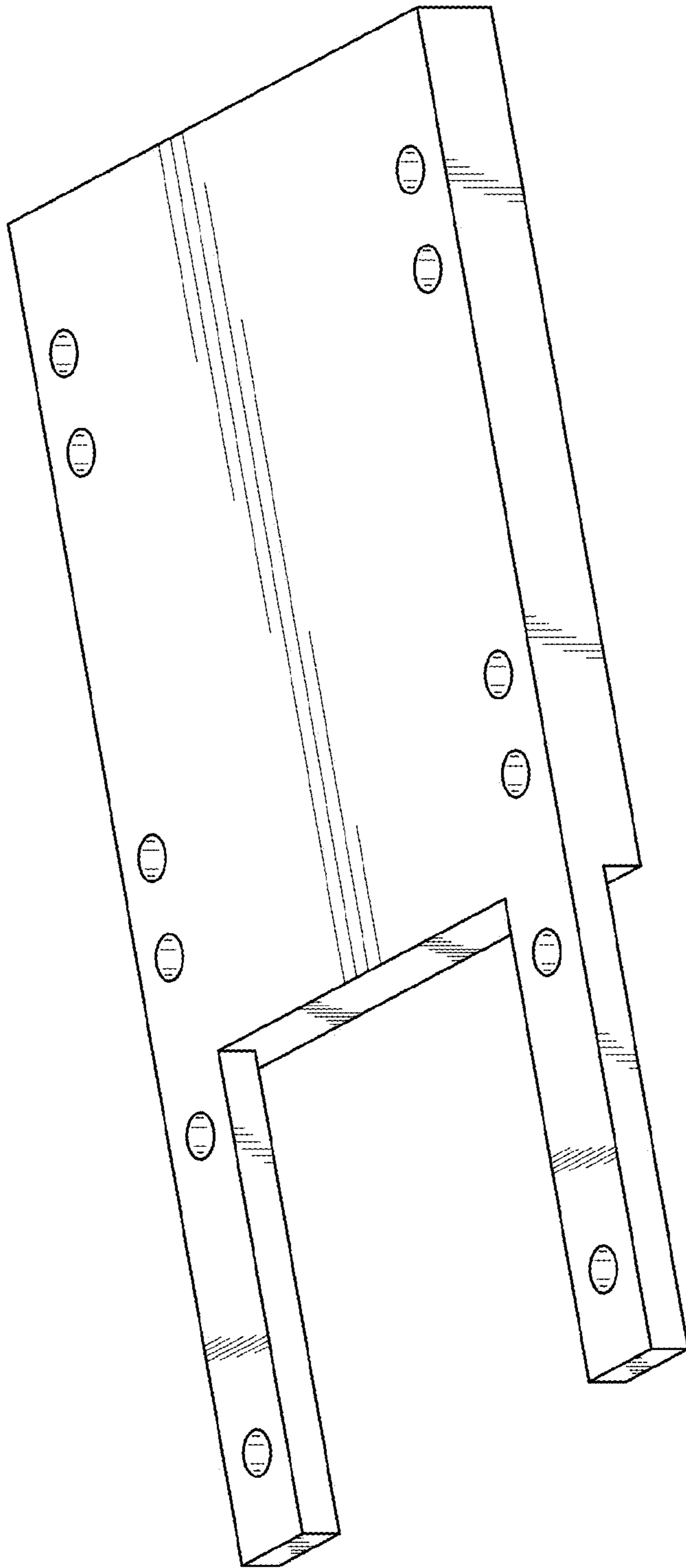


Fig. 12

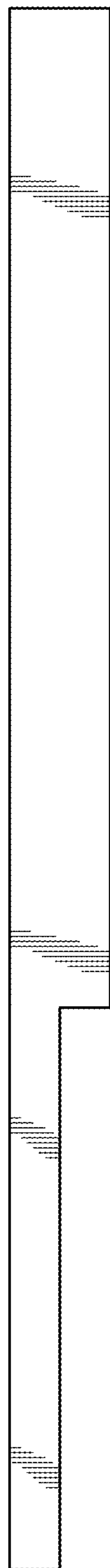


Fig. 13

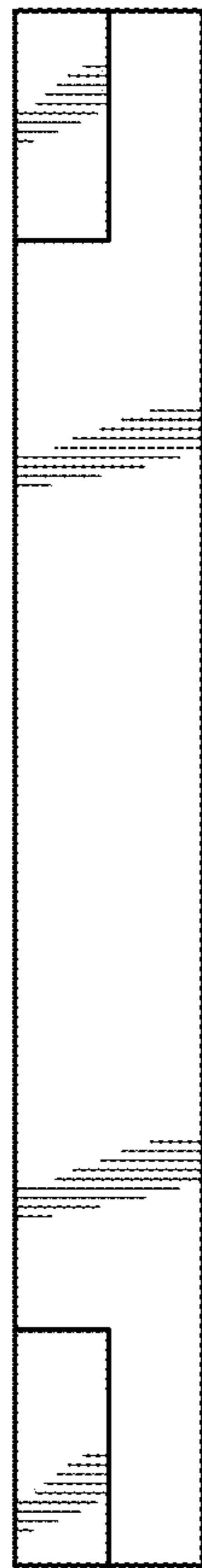


Fig. 14

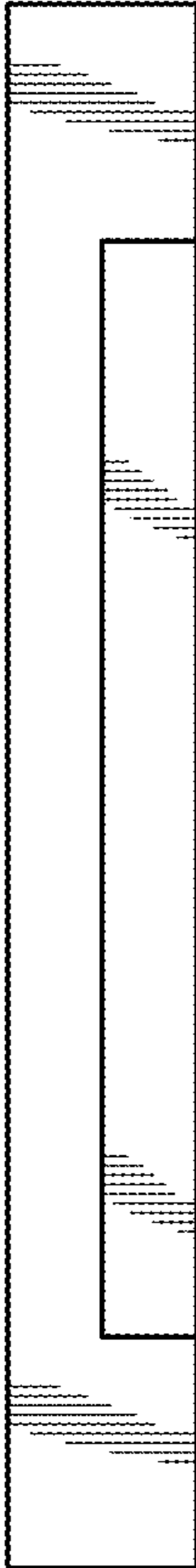


Fig. 15

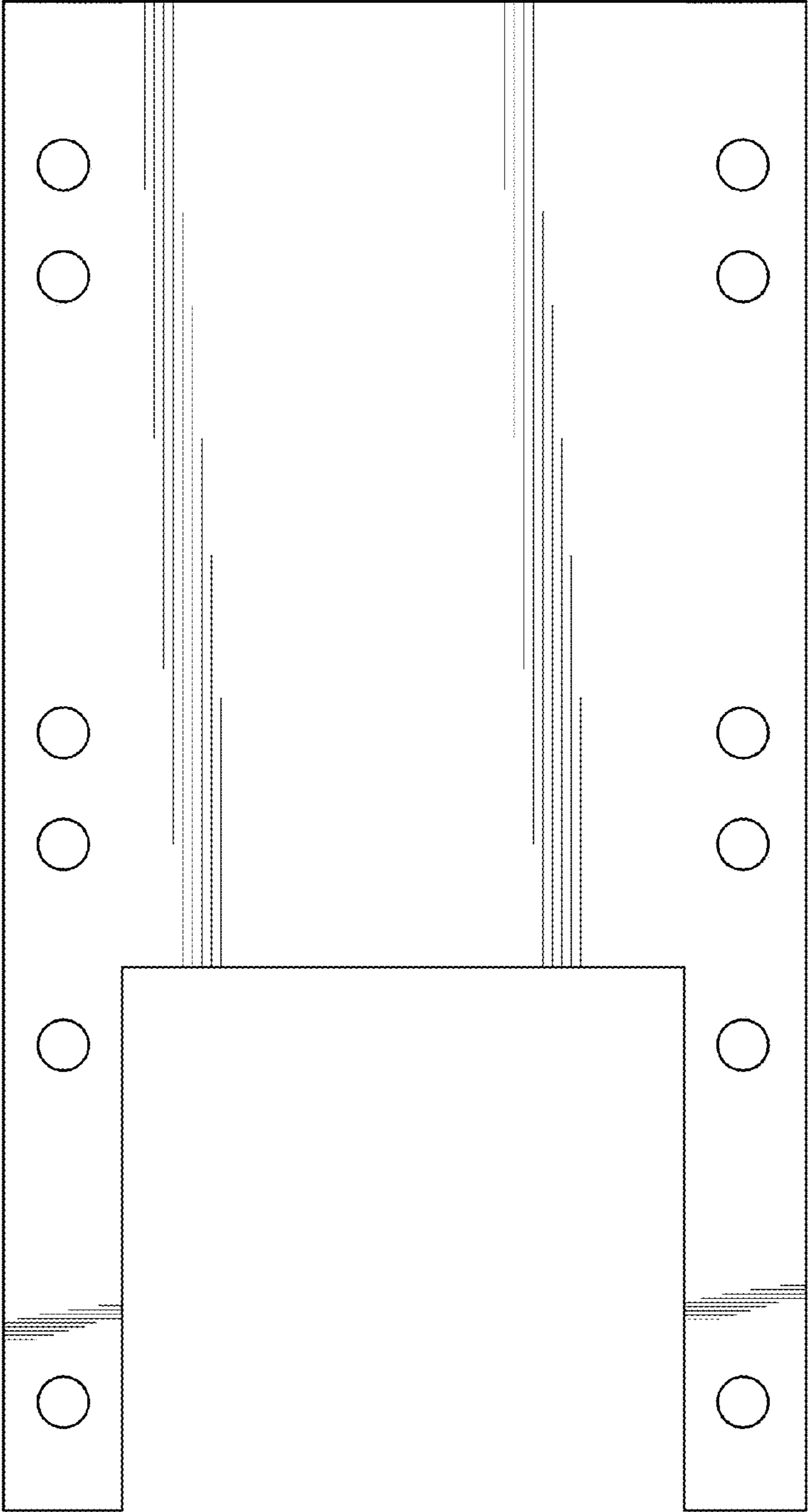


Fig. 16

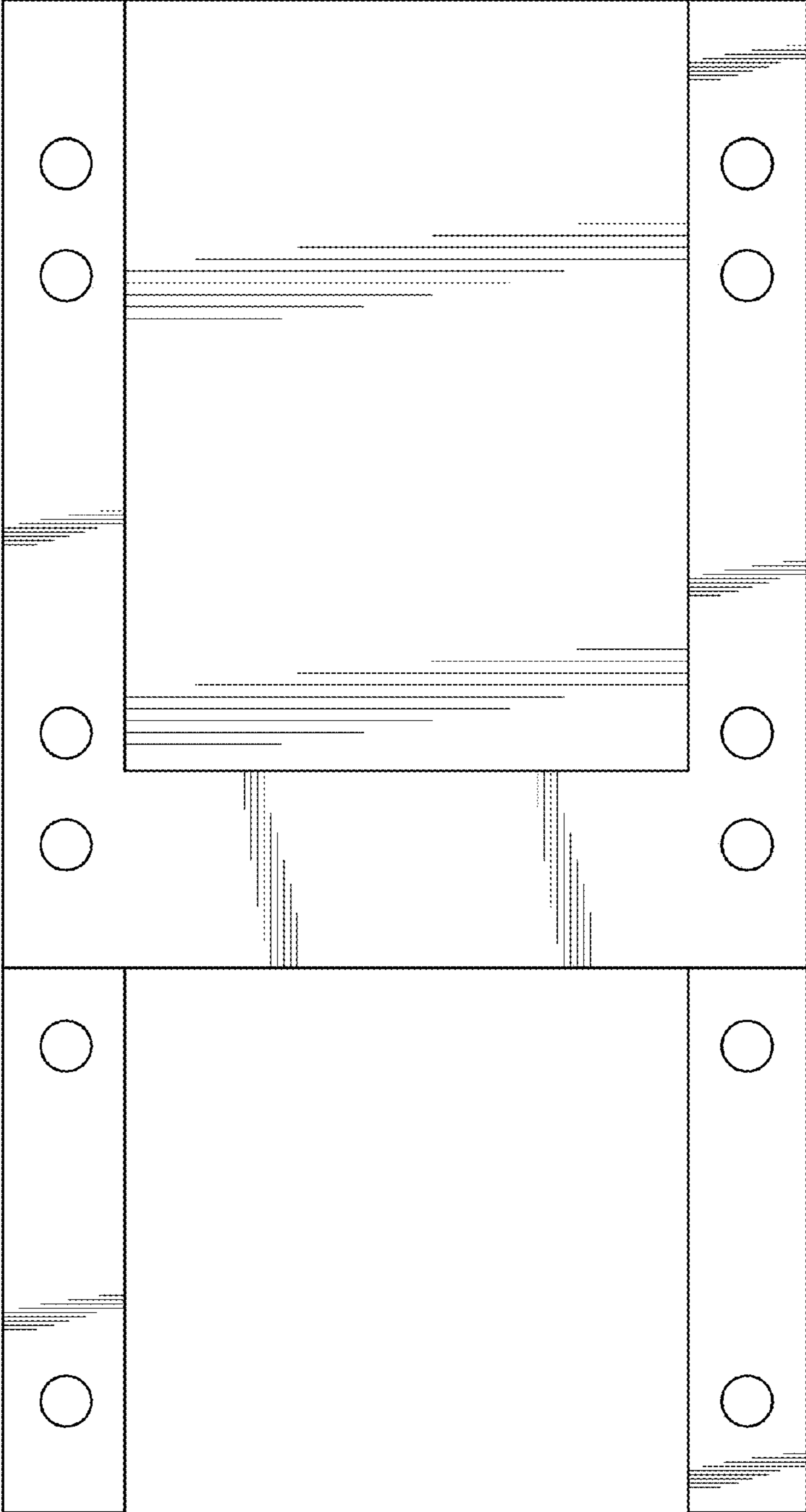


Fig. 17