



US00D698463S

(12) **United States Design Patent**
Porter

(10) **Patent No.:** **US D698,463 S**

(45) **Date of Patent:** **** Jan. 28, 2014**

(54) **BUNK BED STAIR**

D233,750 S * 11/1974 Bryan D25/63
5,085,291 A * 2/1992 Narramore 182/106
6,205,722 B1 * 3/2001 Bromley et al. 52/182

(75) Inventor: **Howard Porter**, Kuala Lumpur (MY)

* cited by examiner

(73) Assignee: **Night and Day Furniture LLC**,
Vancouver, WA (US)

Primary Examiner — Doris Clark

(74) *Attorney, Agent, or Firm* — Harness, Dickey & Pierce,
P.L.C.

(**) Term: **14 Years**

(57) **CLAIM**

(21) Appl. No.: **29/423,806**

The ornamental design for bunk bed stair, as shown and described.

(22) Filed: **Jun. 5, 2012**

DESCRIPTION

(51) **LOC (10) Cl.** **25-04**

(52) **U.S. Cl.**

USPC **D25/63**

(58) **Field of Classification Search**

USPC D25/62, 63; 5/9.1, 507.1; 52/184, 188,
52/182, 190; 182/106, 132

See application file for complete search history.

FIG. 1 is a left, front perspective view of the bunk bed stair showing my new design;

FIG. 2 is a left, rear perspective view thereof;

FIG. 3 is a left, rear perspective view thereof;

FIG. 4 is a left view thereof;

FIG. 5 is a front view thereof;

FIG. 6 is a rear view thereof; and,

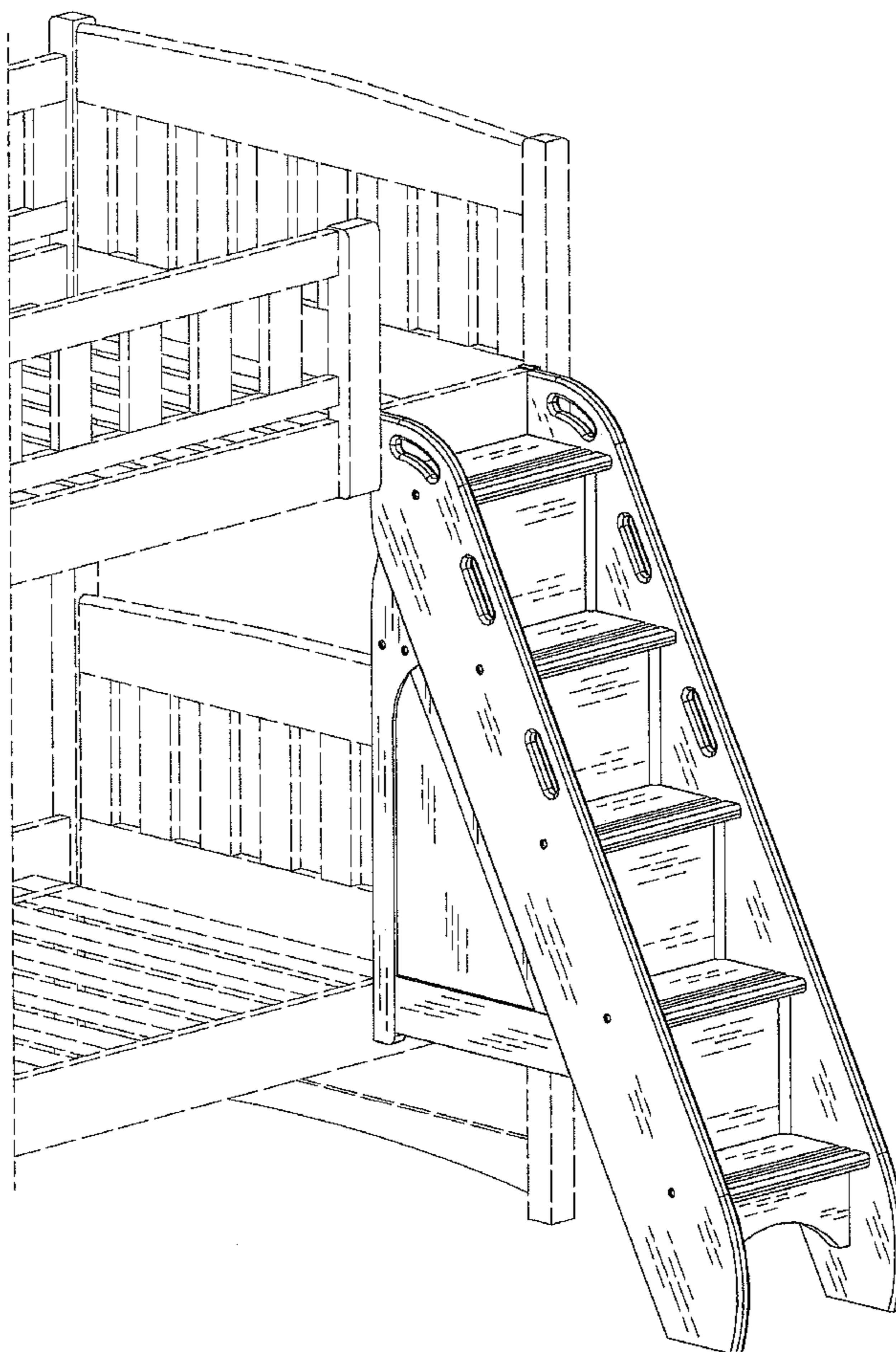
FIG. 7 is a perspective view of the bunk bed stair showing my new design; the broken lines shown in FIG. 7 are for the purpose of illustrating the environment in which the bunk bed stair are associated and form no part of the claimed design.

(56) **References Cited**

U.S. PATENT DOCUMENTS

2,551,345 A * 5/1951 Scott 52/183
2,839,765 A * 6/1958 Cogley 5/425

1 Claim, 4 Drawing Sheets



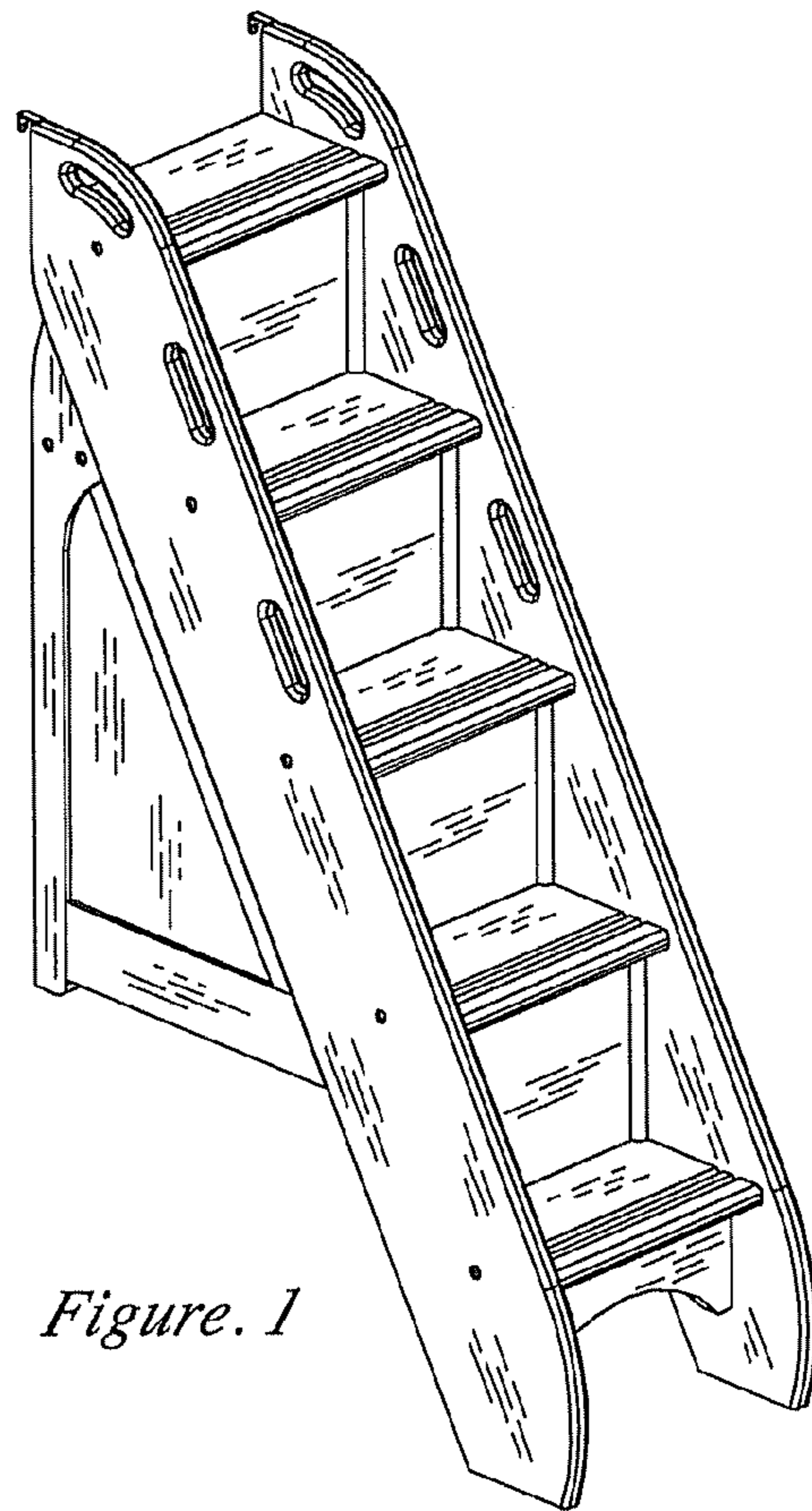


Figure. 1

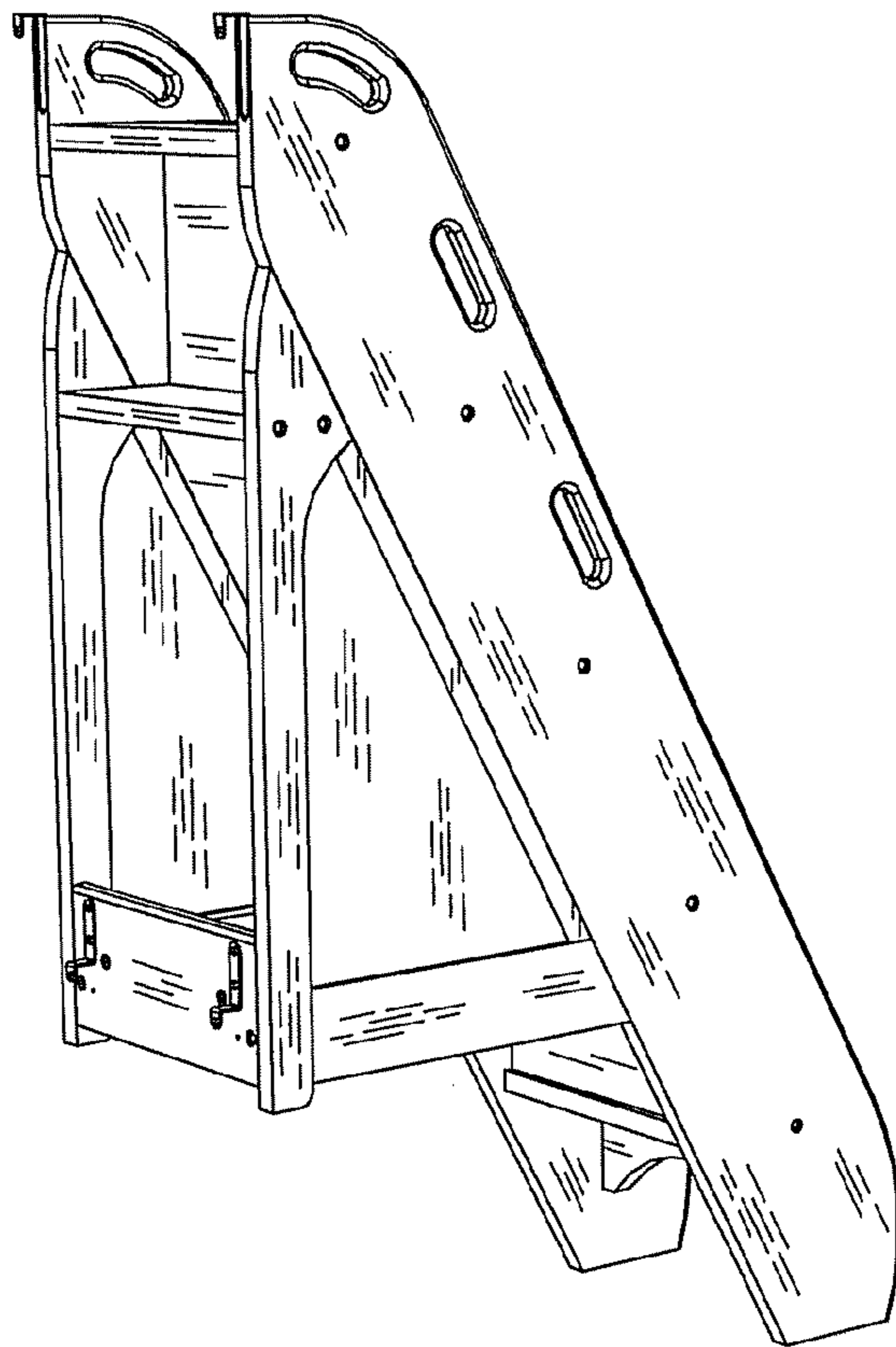


Figure. 2

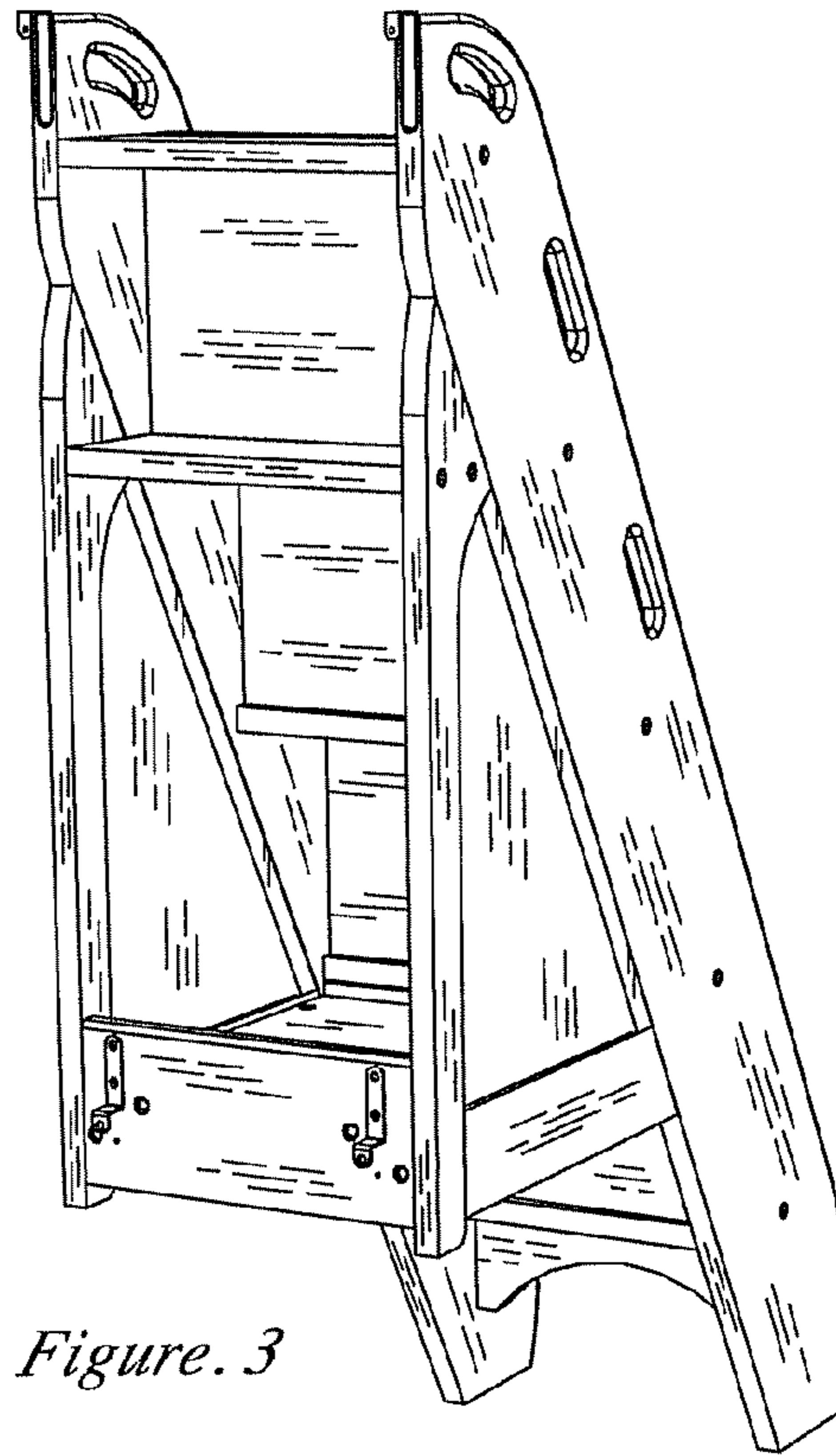


Figure. 3

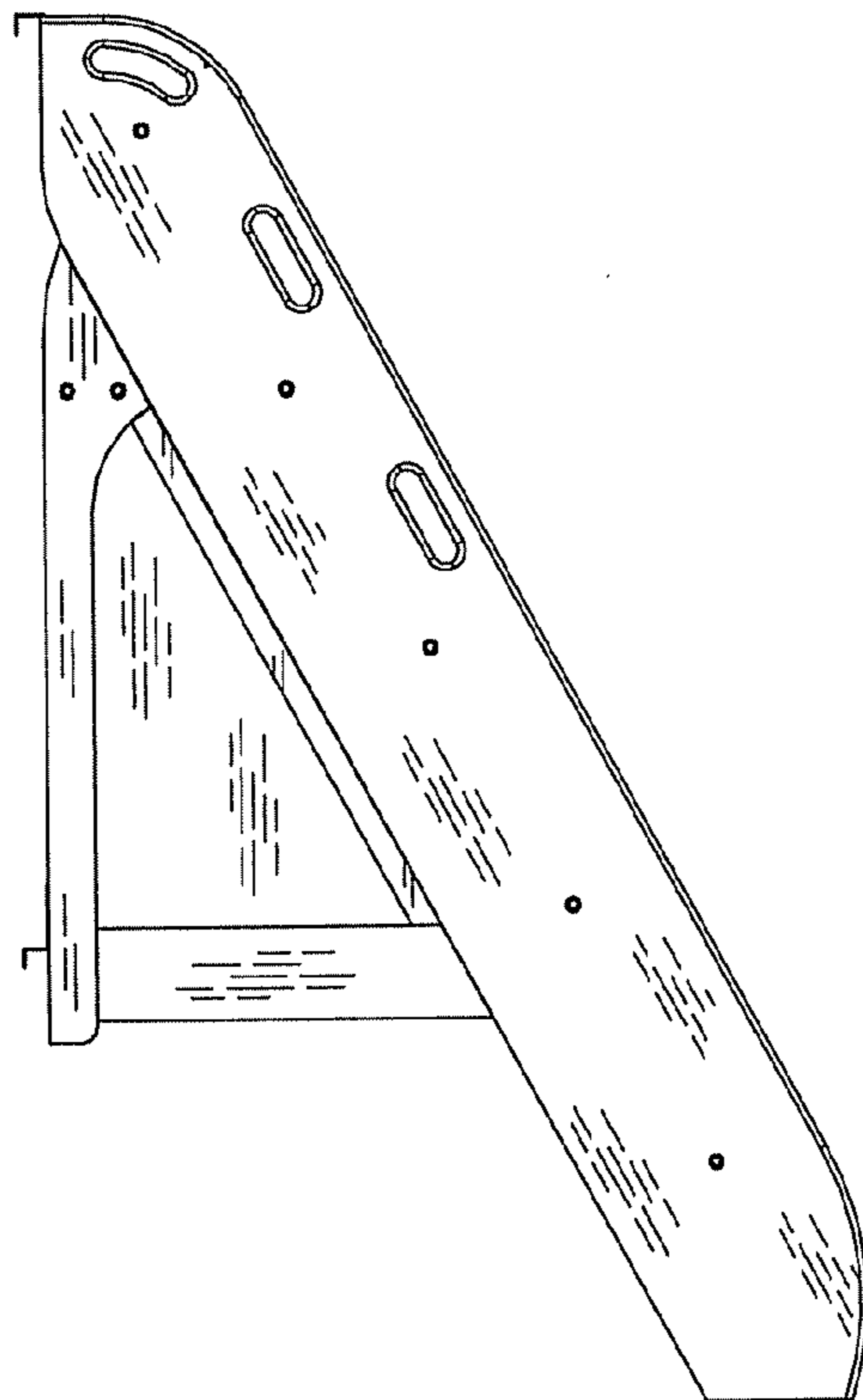


Figure. 4

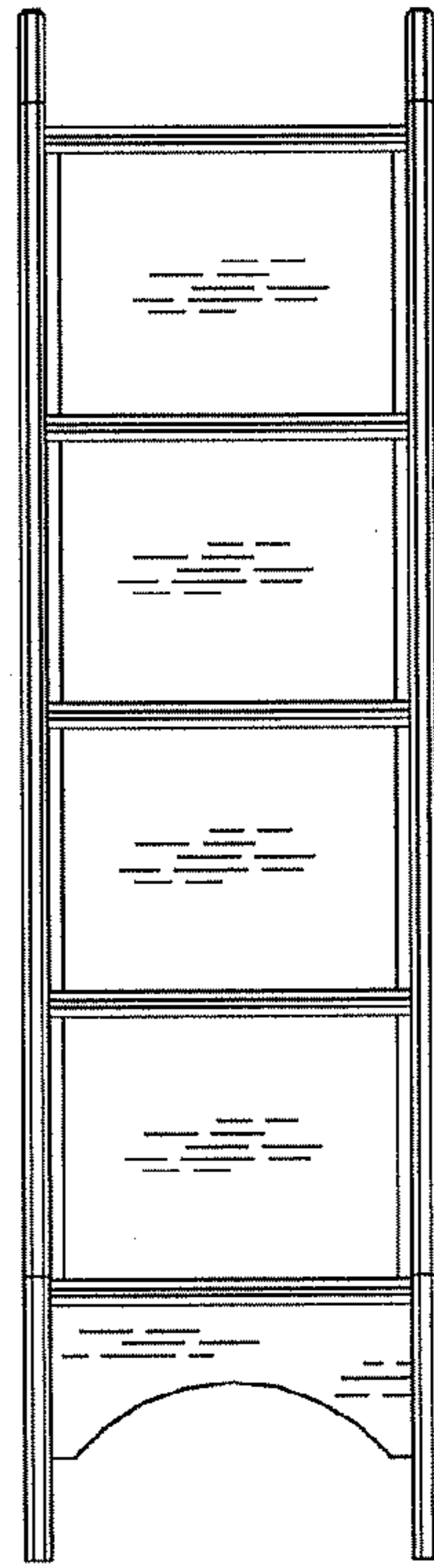


Figure. 5

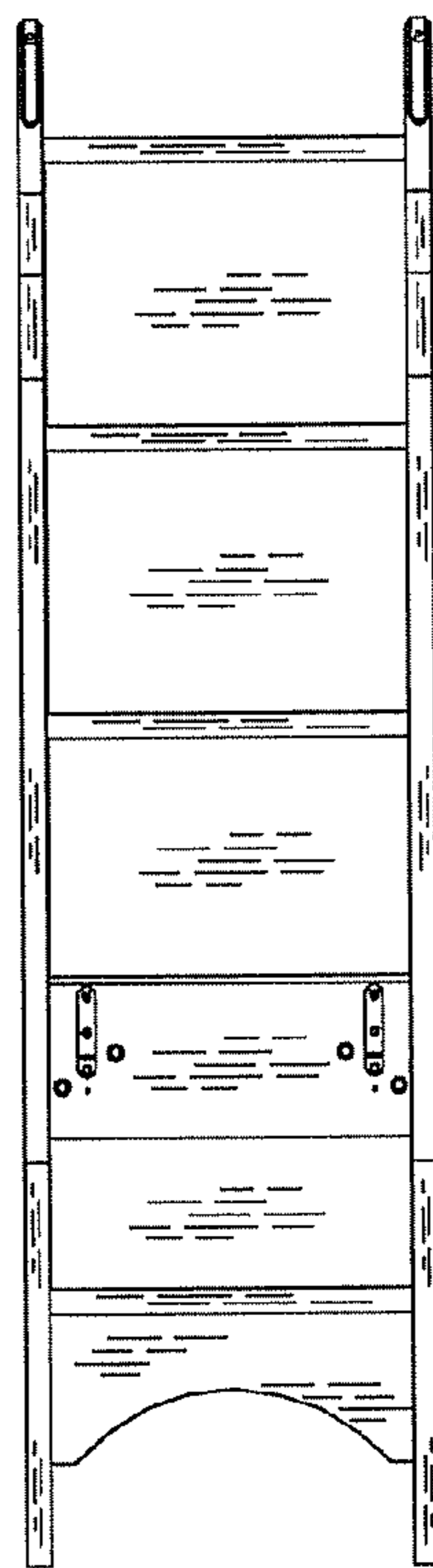


Figure. 6

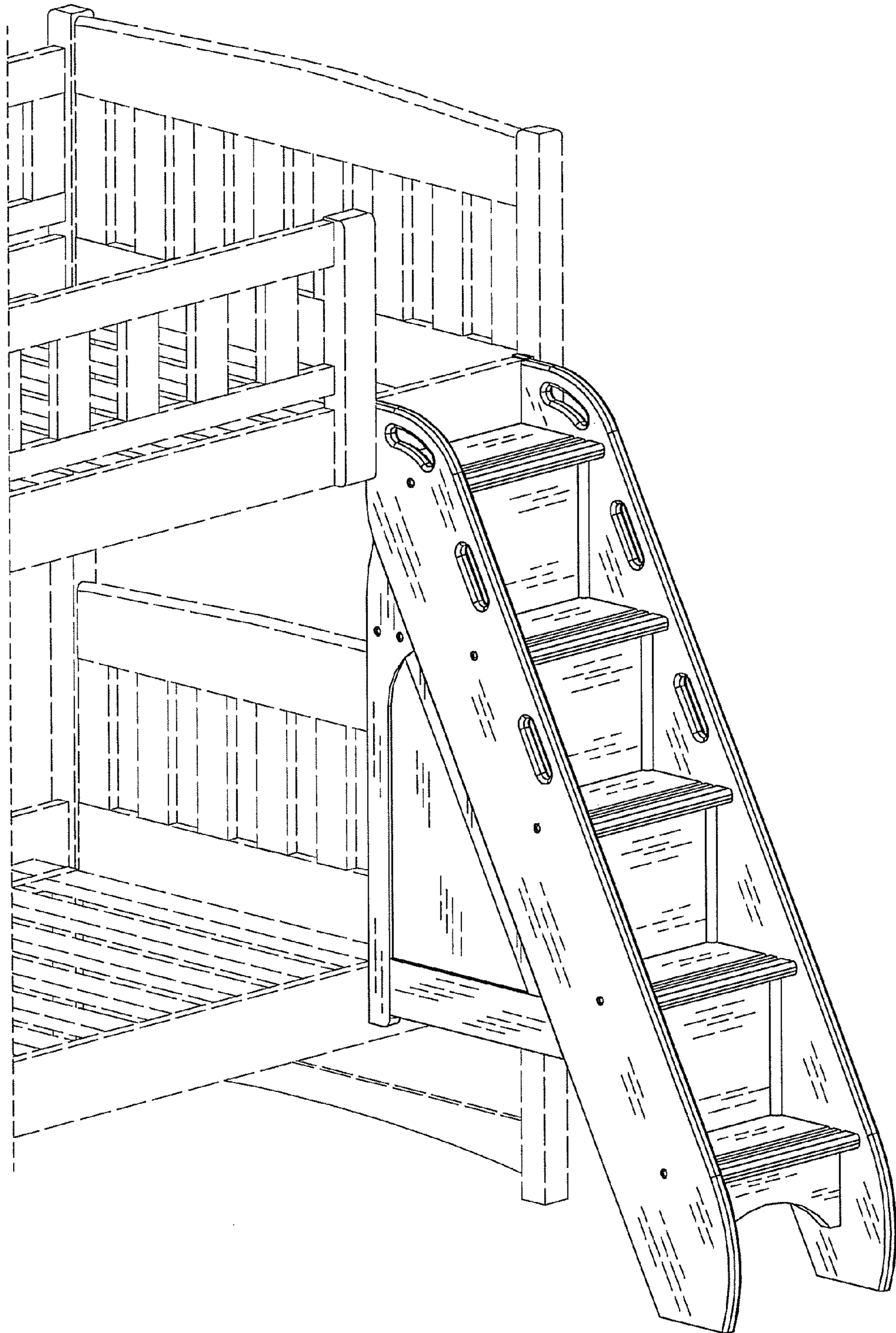


Figure. 7