

US00D698462S

(12) **United States Design Patent**  
**Kalkhoven et al.**

(10) **Patent No.:** **US D698,462 S**  
(45) **Date of Patent:** **\*\* Jan. 28, 2014**

(54) **WINDOW GROUPING**

FOREIGN PATENT DOCUMENTS

(75) Inventors: **Paul Kalkhoven**, London (GB);  
**Stephan Verkuijlen**, London (GB);  
**Brent Møller**, Gentofte (DK)

|    |                   |         |
|----|-------------------|---------|
| DE | 3602026           | 7/1987  |
| DE | 10149058          | 6/2002  |
| DE | 101 26 395 C1     | 1/2003  |
| EP | 0 692 640 A2      | 1/1996  |
| GB | 461238            | 2/1937  |
| NL | 1031549           | 9/2007  |
| WO | WO 88/04348       | 6/1988  |
| WO | WO 99/35355       | 7/1999  |
| WO | WO 00/65171       | 11/2000 |
| WO | WO 2009/076952 A1 | 6/2009  |
| WO | WO 2010128341     | 11/2010 |

(73) Assignee: **VKR Holding A/S**, Hoersholm (DK)

(\*\*) Term: **14 Years**

(21) Appl. No.: **29/412,964**

(22) Filed: **Feb. 9, 2012**

(30) **Foreign Application Priority Data**

Aug. 9, 2011 (EM) ..... 001902438

(51) **LOC (10) Cl.** ..... **25-02**

(52) **U.S. Cl.**  
USPC ..... **D25/48.7**

(58) **Field of Classification Search**  
USPC ..... D25/48.7; 52/18, 200, 173.3  
See application file for complete search history.

(56) **References Cited**

U.S. PATENT DOCUMENTS

|           |      |         |                 |       |          |
|-----------|------|---------|-----------------|-------|----------|
| D251,066  | S *  | 2/1979  | Hope et al.     | ..... | D25/48.7 |
| 5,596,843 | A *  | 1/1997  | Watson          | ..... | 52/71    |
| 6,105,317 | A *  | 8/2000  | Tomiuchi et al. | ..... | 52/173.3 |
| 6,629,391 | B1   | 10/2003 | Borresen        |       |          |
| 7,331,146 | B1   | 2/2008  | Beutler         |       |          |
| 8,091,288 | B2 * | 1/2012  | Van Dijk        | ..... | 52/18    |

\* cited by examiner

*Primary Examiner* — Doris Clark

(74) *Attorney, Agent, or Firm* — Merek, Blackmon & Voorhees, LLC

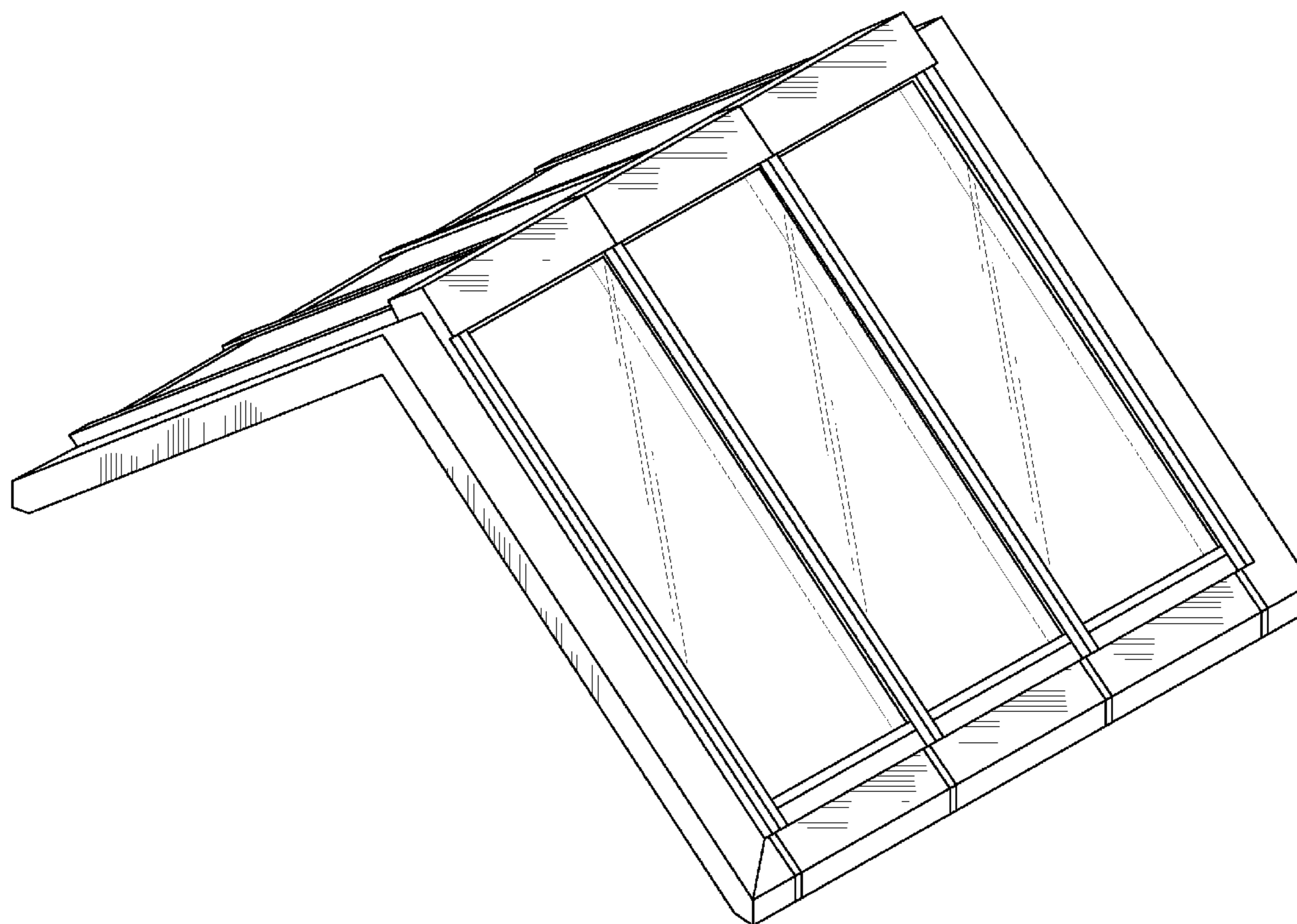
(57) **CLAIM**

We claim the ornamental design for a window grouping, as shown and described.

**DESCRIPTION**

FIG. 1 is a top, left side and front perspective view of a window grouping showing our new design;  
FIG. 2 is a top plan view thereof;  
FIG. 3 is a bottom plan view thereof;  
FIG. 4 is a left side elevation view; the right side is identical to the left;  
FIG. 5 is a front elevation view; the rear is identical to the front; and,  
FIG. 6 is a top, left side and front perspective view of a second embodiment of a window grouping showing our new design.

**1 Claim, 6 Drawing Sheets**



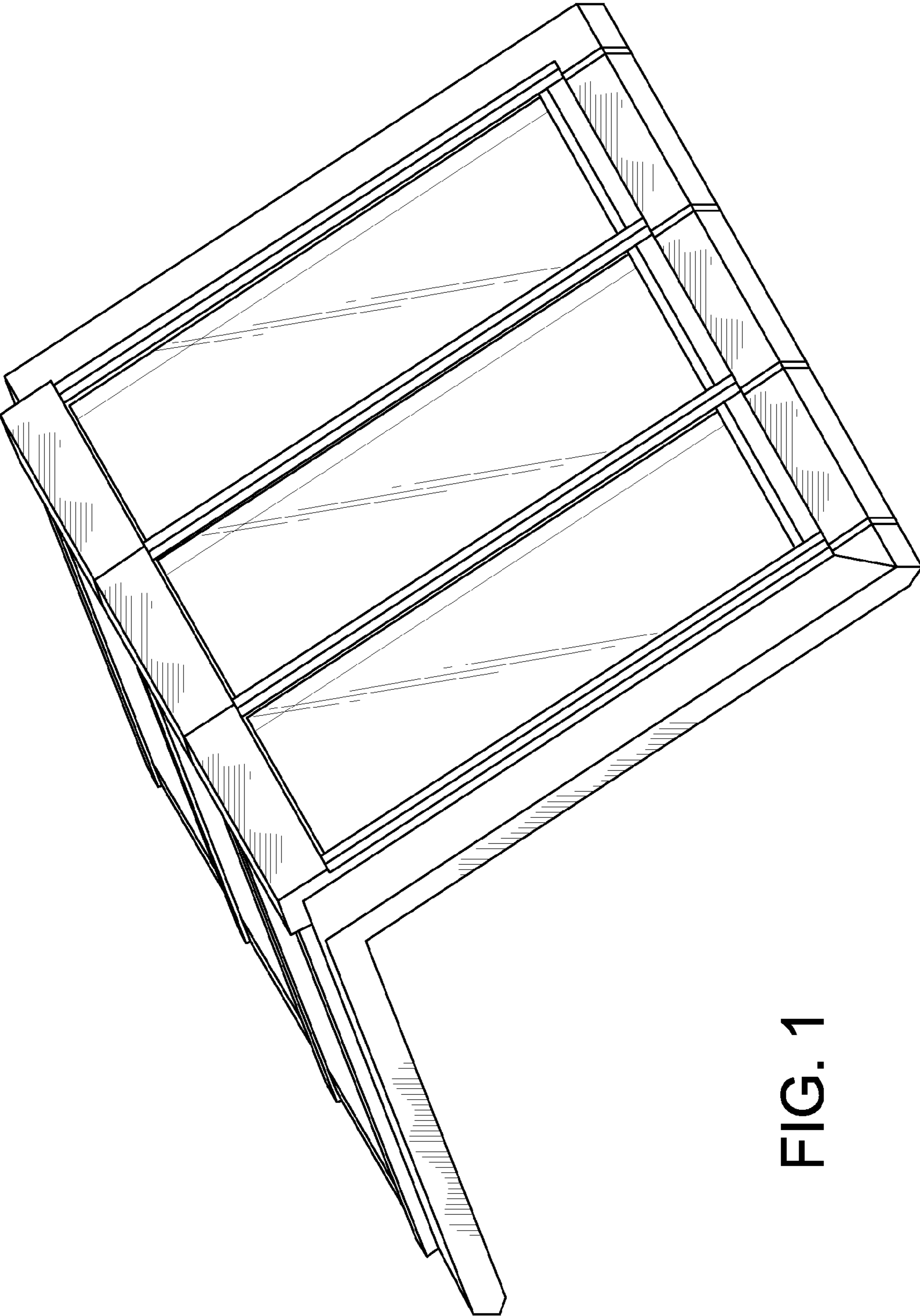


FIG. 1

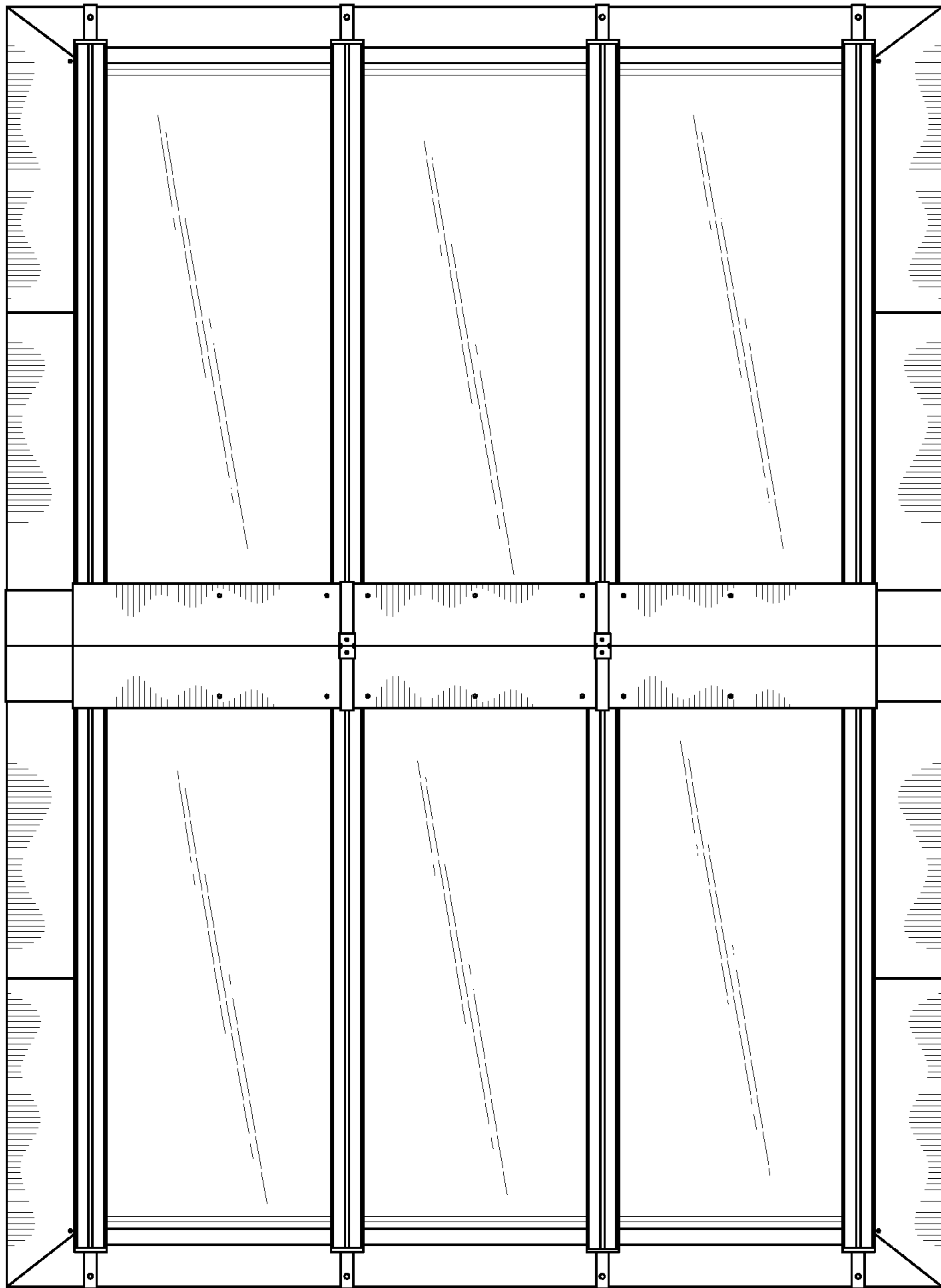


FIG. 2

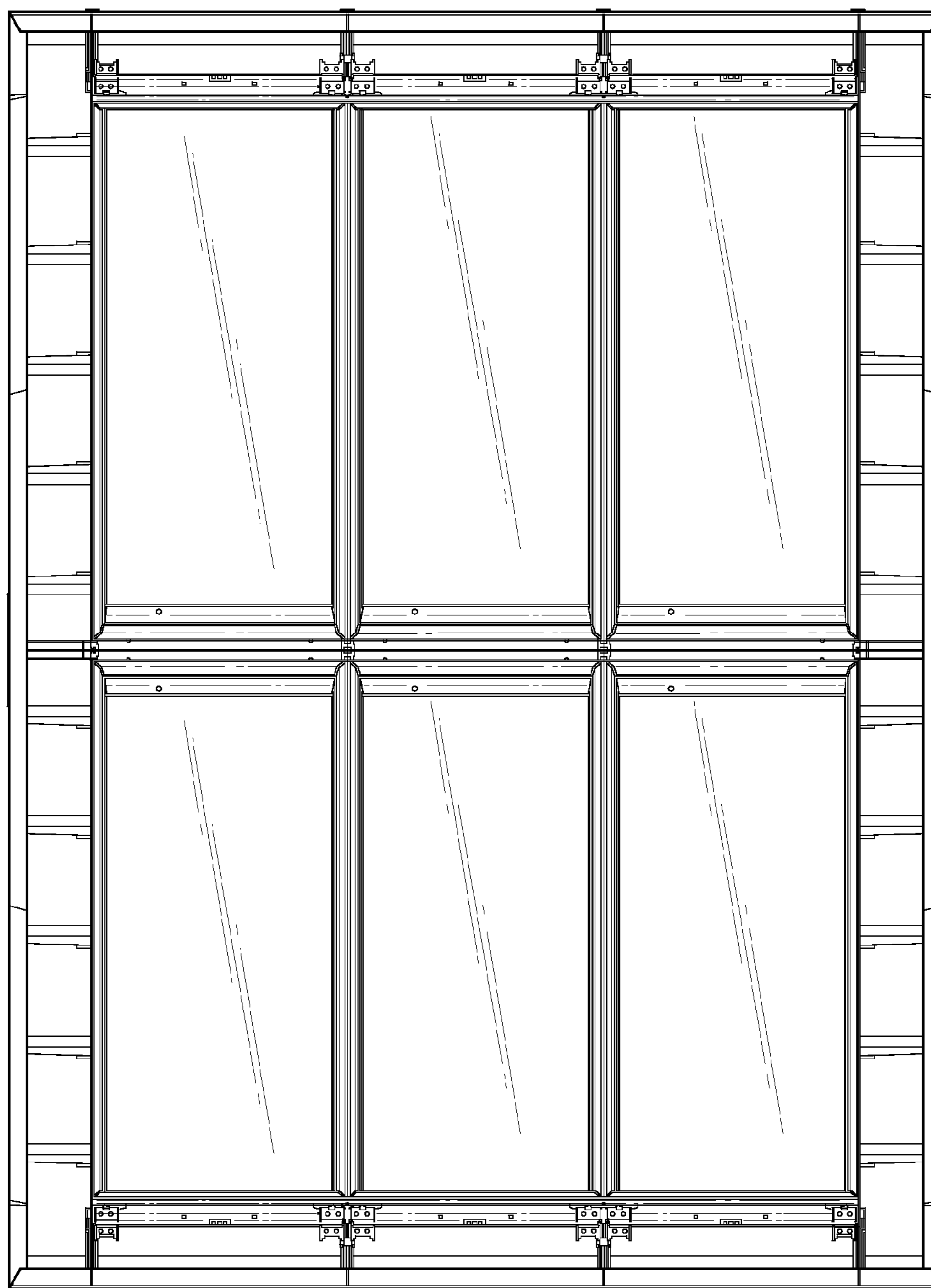


FIG. 3

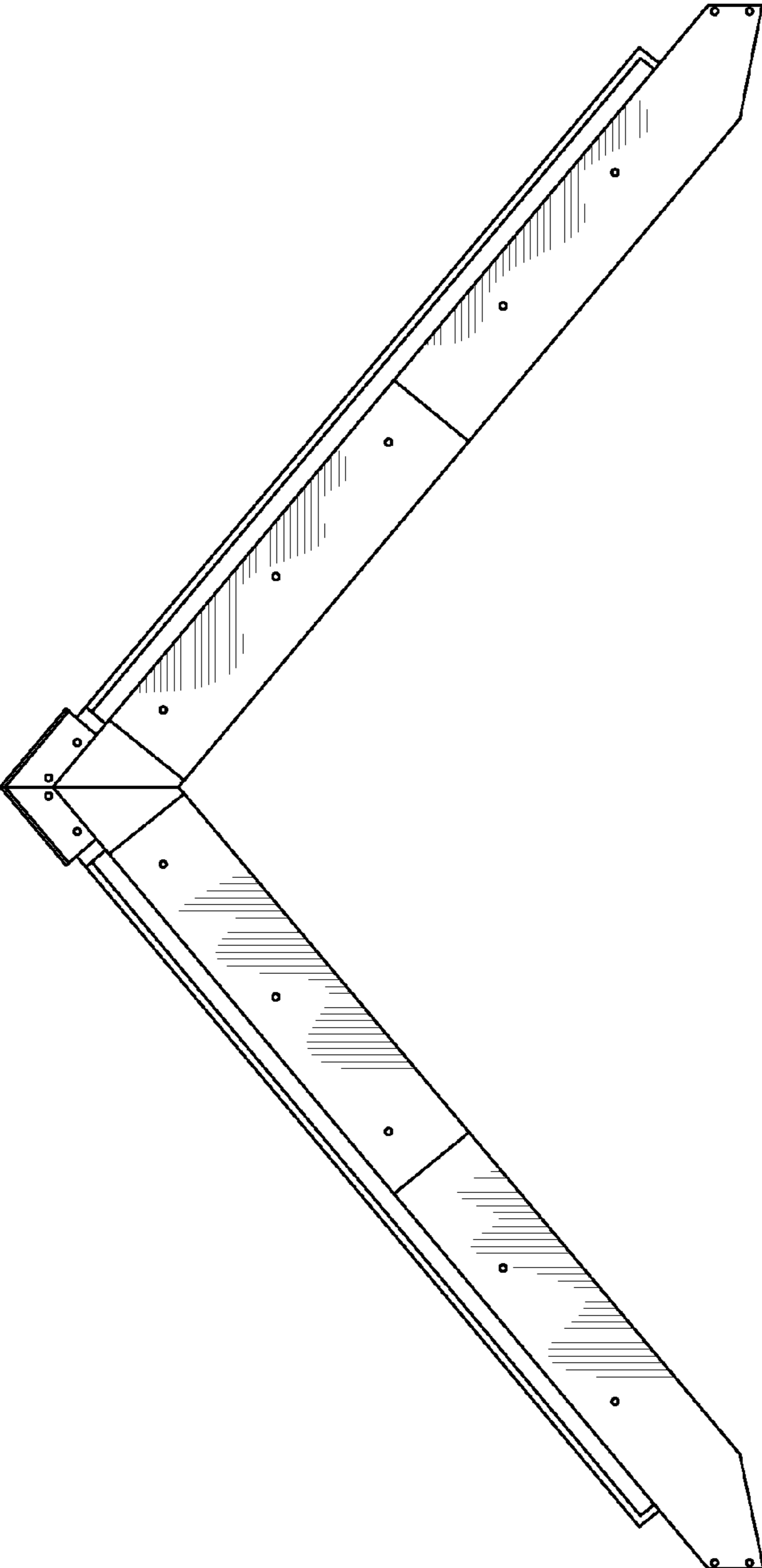


FIG. 4

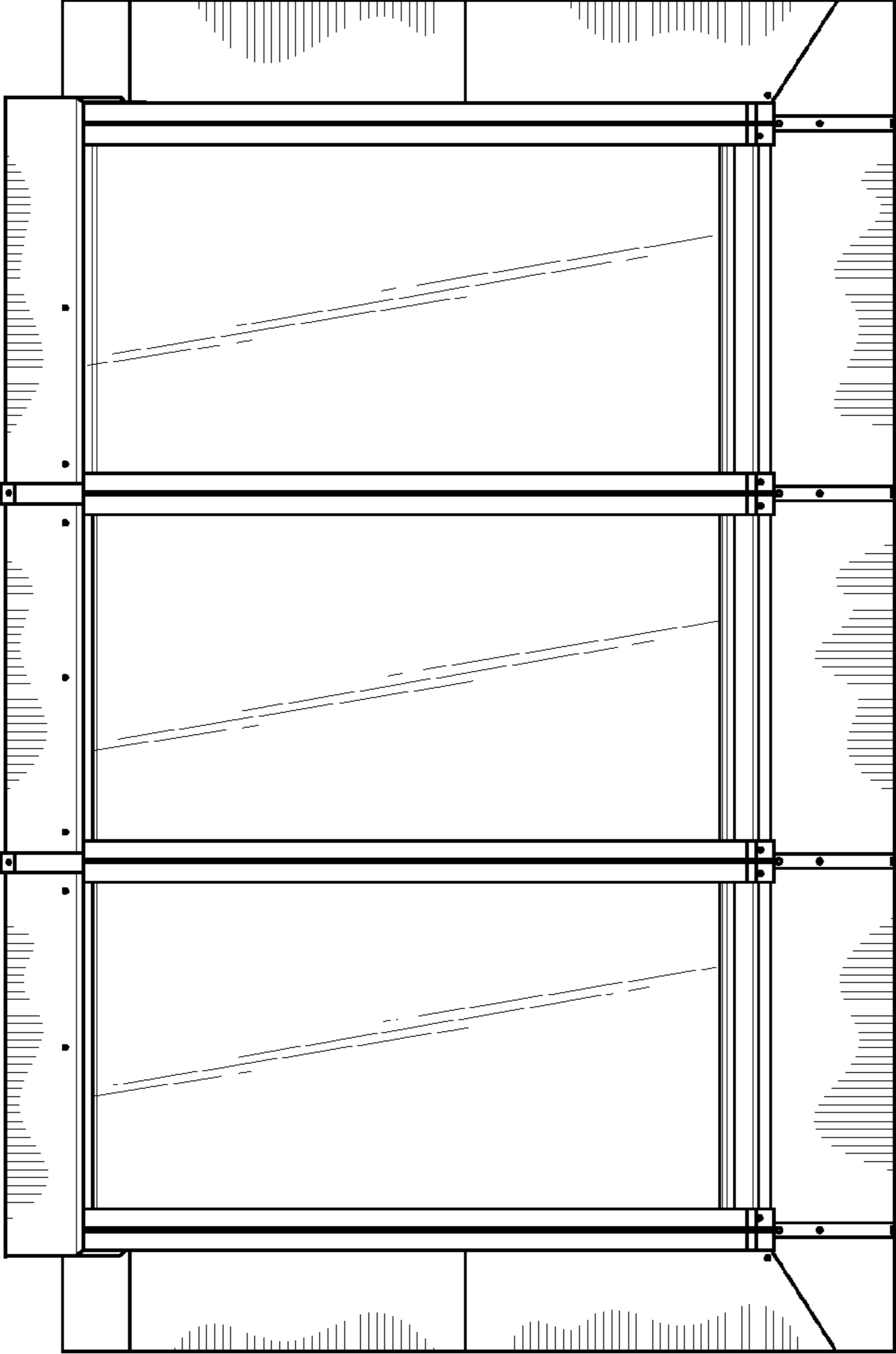


FIG. 5

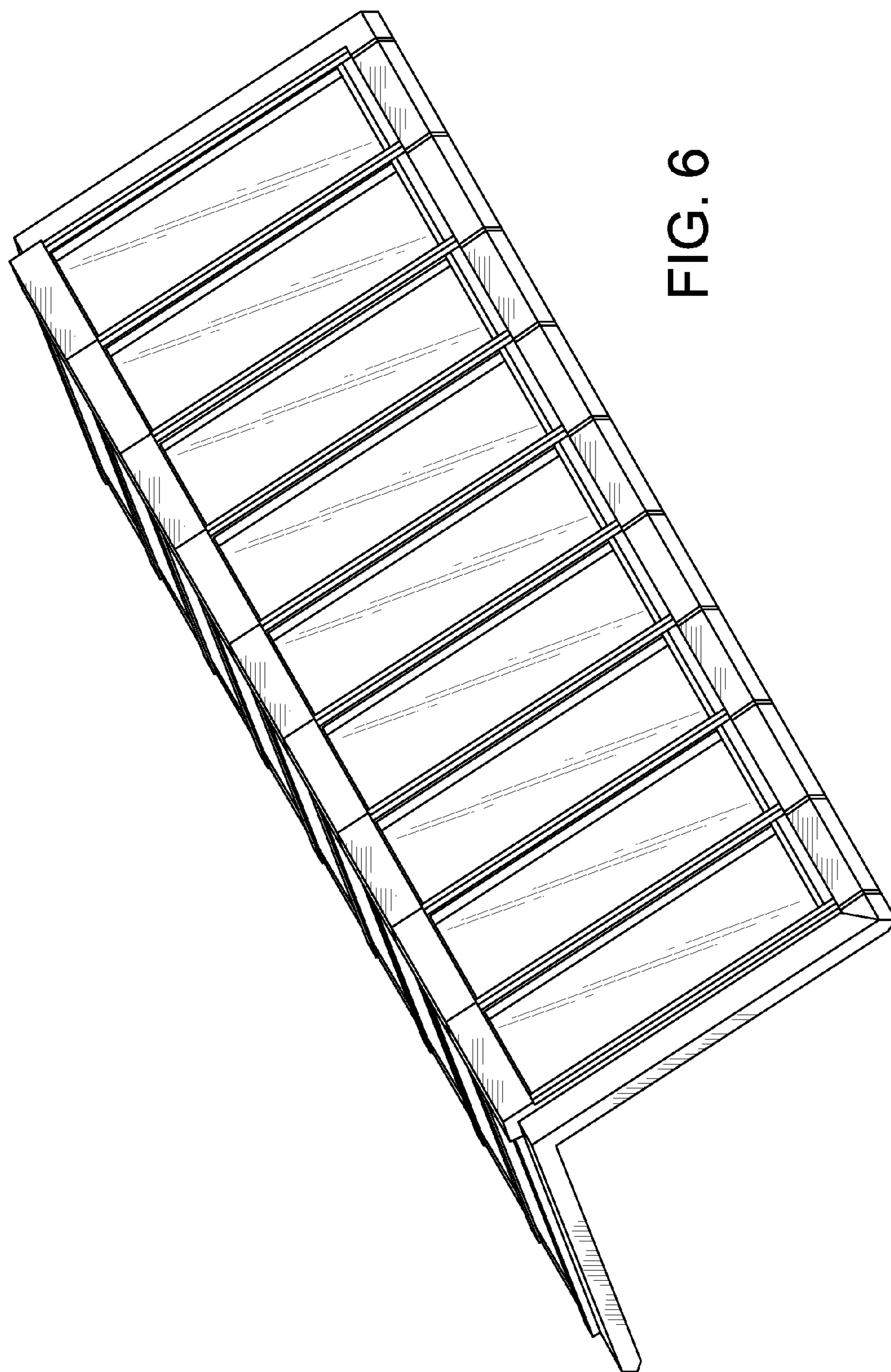


FIG. 6