



US00D698461S

(12) **United States Design Patent**
Ishida et al.

(10) **Patent No.:** **US D698,461 S**
(45) **Date of Patent:** **** Jan. 28, 2014**

(54) **WIND CONTROL COVER FOR ELEVATOR**

(56) **References Cited**

(71) Applicant: **Mitsubishi Electric Corporation,**
Tokyo (JP)
(72) Inventors: **Takashi Ishida,** Inazawa (JP); **Toshiya Suzuki,** Tokyo (JP); **Masaji Iida,** Tokyo (JP); **Masahiro Kondo,** Inazawa (JP)
(73) Assignee: **Mitsubishi Electric Corporation,**
Tokyo (JP)
(**) Term: **14 Years**

U.S. PATENT DOCUMENTS

3,899,043	A	8/1975	Hall	
D252,198	S	6/1979	Hesford	
D253,100	S	10/1979	Hesford	
D404,835	S	1/1999	Stute	
D435,116	S	12/2000	Stute	
D471,989	S	3/2003	Van Gilst	
D687,570	S *	8/2013	Ishida et al. D25/37
2006/0175136	A1	8/2006	Adifon et al.	
2007/0170001	A1	7/2007	Matsushita et al.	

* cited by examiner

(21) Appl. No.: **29/462,673**

Primary Examiner — Eric Goodman

(74) *Attorney, Agent, or Firm* — Sughrue Mion, PLLC

(22) Filed: **Aug. 7, 2013**

(57) **CLAIM**

The ornamental design for a wind control cover for elevator, as shown and described.

Related U.S. Application Data

(62) Division of application No. 29/428,144, filed on Jul. 26, 2012.

DESCRIPTION

(30) **Foreign Application Priority Data**

Jan. 27, 2012 (JP) 2012-001563
Jan. 27, 2012 (JP) 2012-001564
Jan. 27, 2012 (JP) 2012-001565

FIG. 1 is a front, top and right side perspective view of a wind control cover for elevator, showing an embodiment of our new design;

FIG. 2 is a front elevational view thereof;

FIG. 3 is a rear elevational view thereof;

FIG. 4 is a right side elevational view thereof;

FIG. 5 is a top plan view thereof;

FIG. 6 is a bottom plan view thereof;

FIG. 7 is a cross-sectional view thereof; taken along line 7-7 of FIG. 2; and,

FIG. 8 is a perspective view showing the state in use.

The broken line showing is included for the purpose of illustrating environment and forms no part of the claimed design.

(51) **LOC (10) Cl.** **25-03**

(52) **U.S. Cl.**
USPC **D25/37**

(58) **Field of Classification Search**
USPC D25/1-37; 187/205, 211, 226, 250;
52/79.1, 79.4, 79.5
See application file for complete search history.

1 Claim, 8 Drawing Sheets

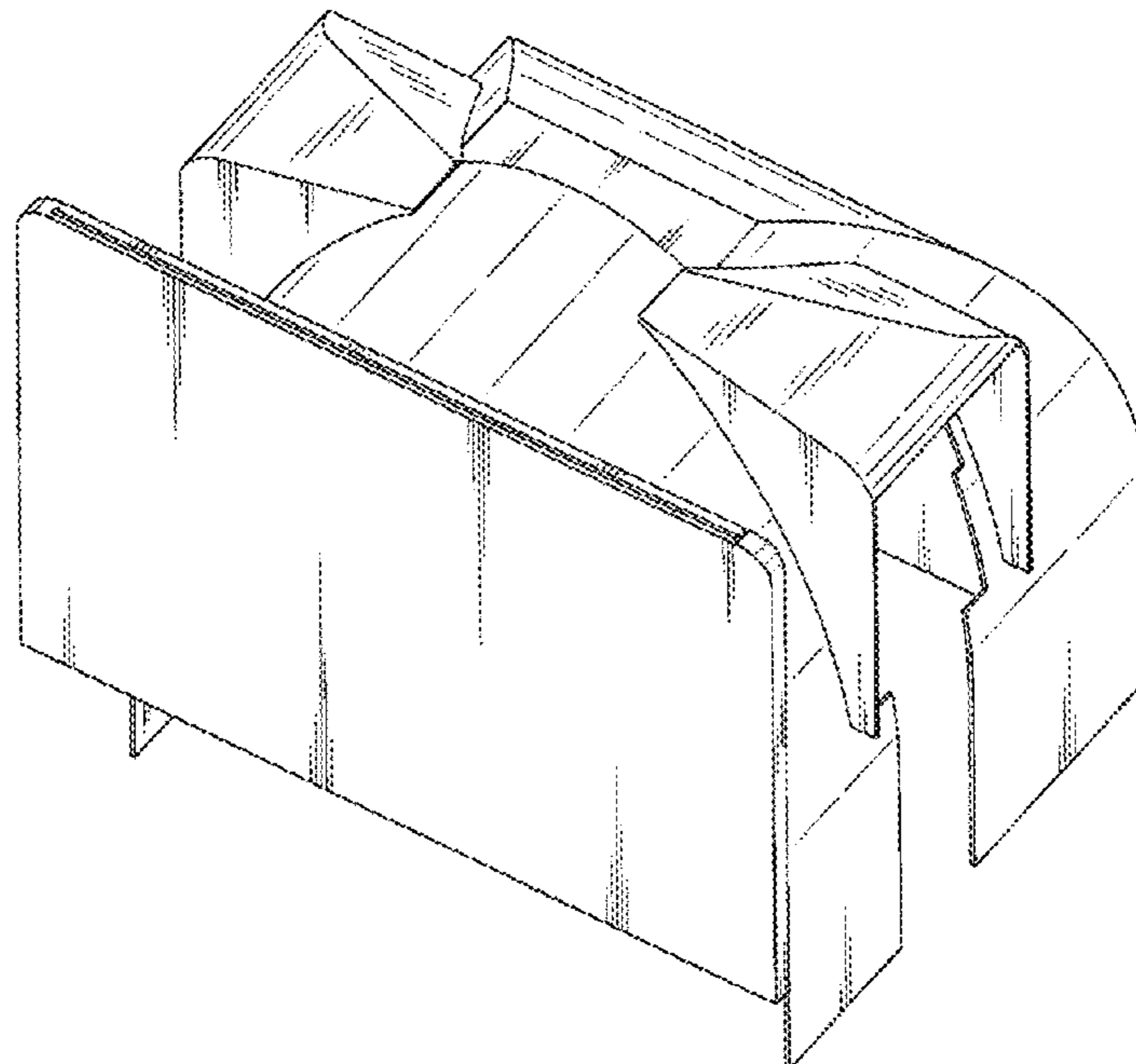


Fig. 1

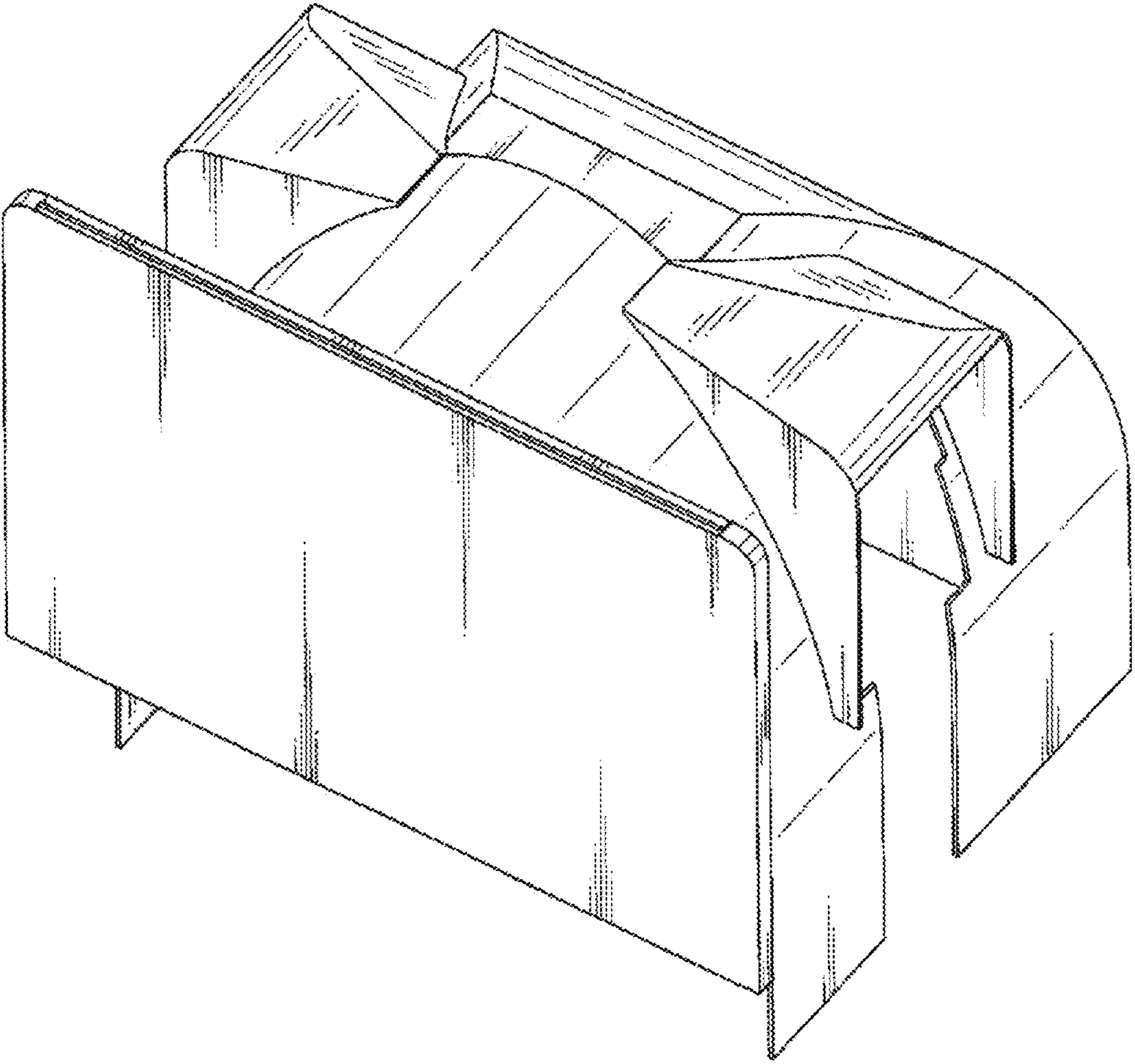
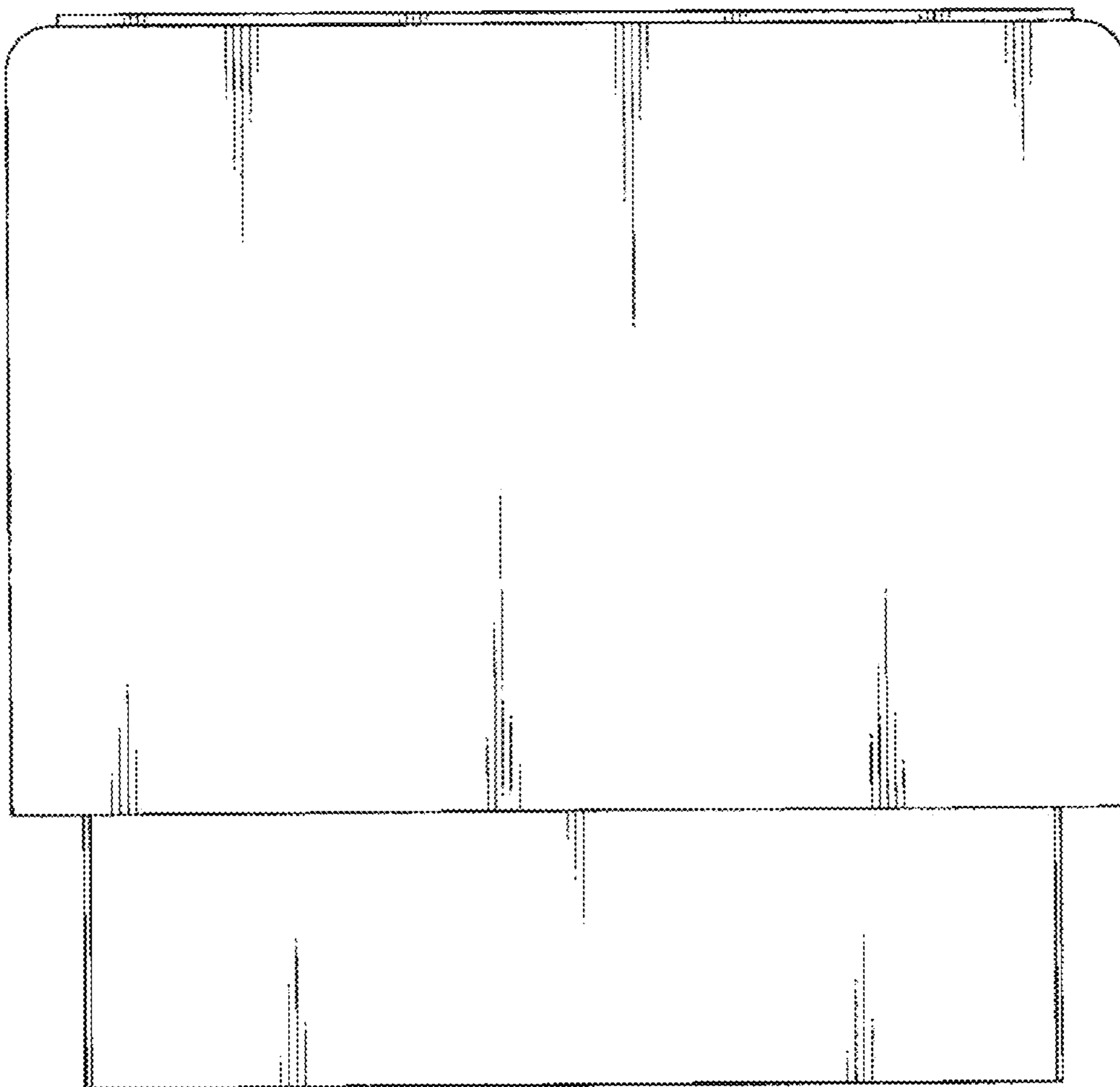


Fig. 2

7 ↗



7 ↘

Fig. 3

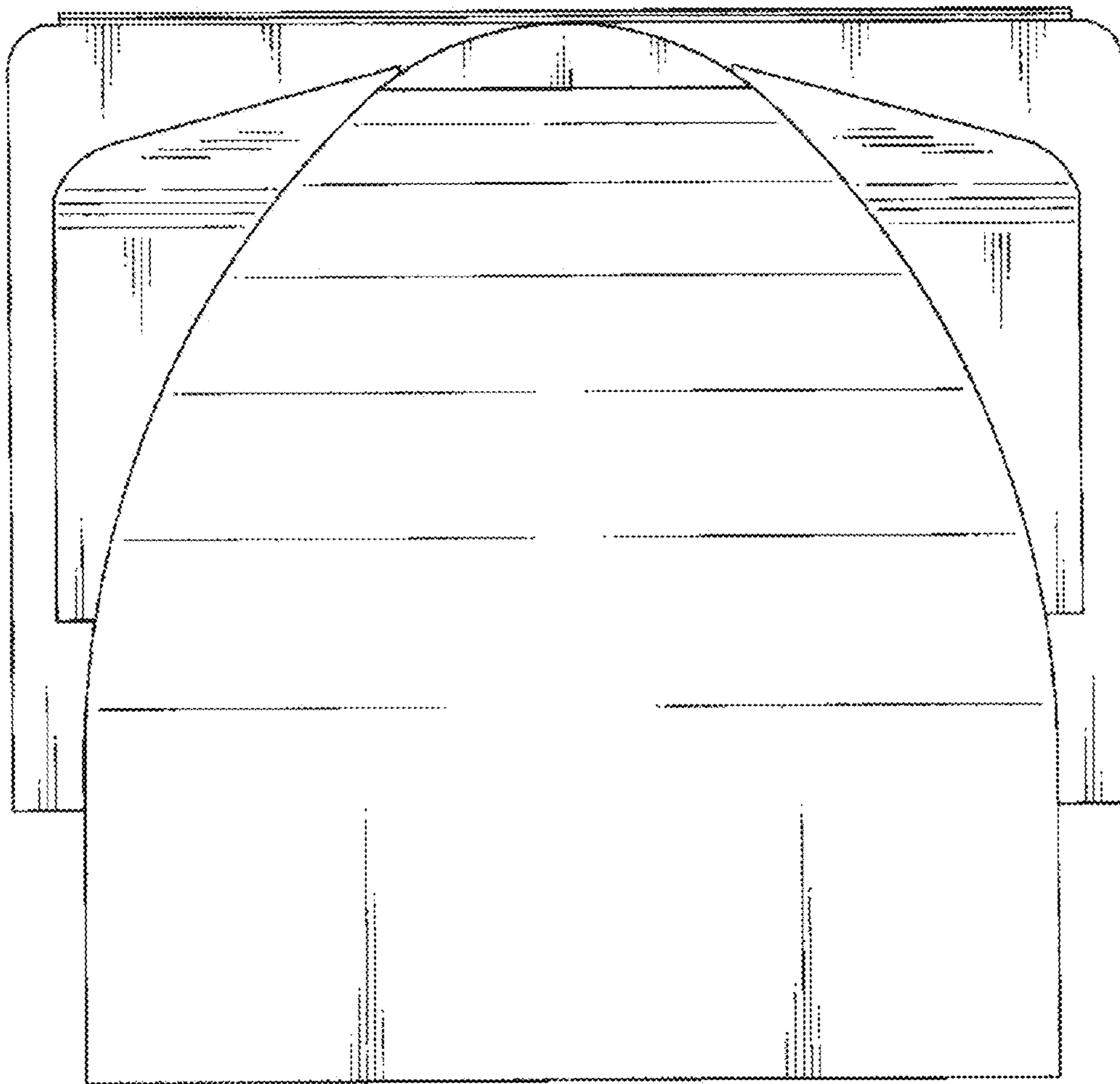


Fig. 4

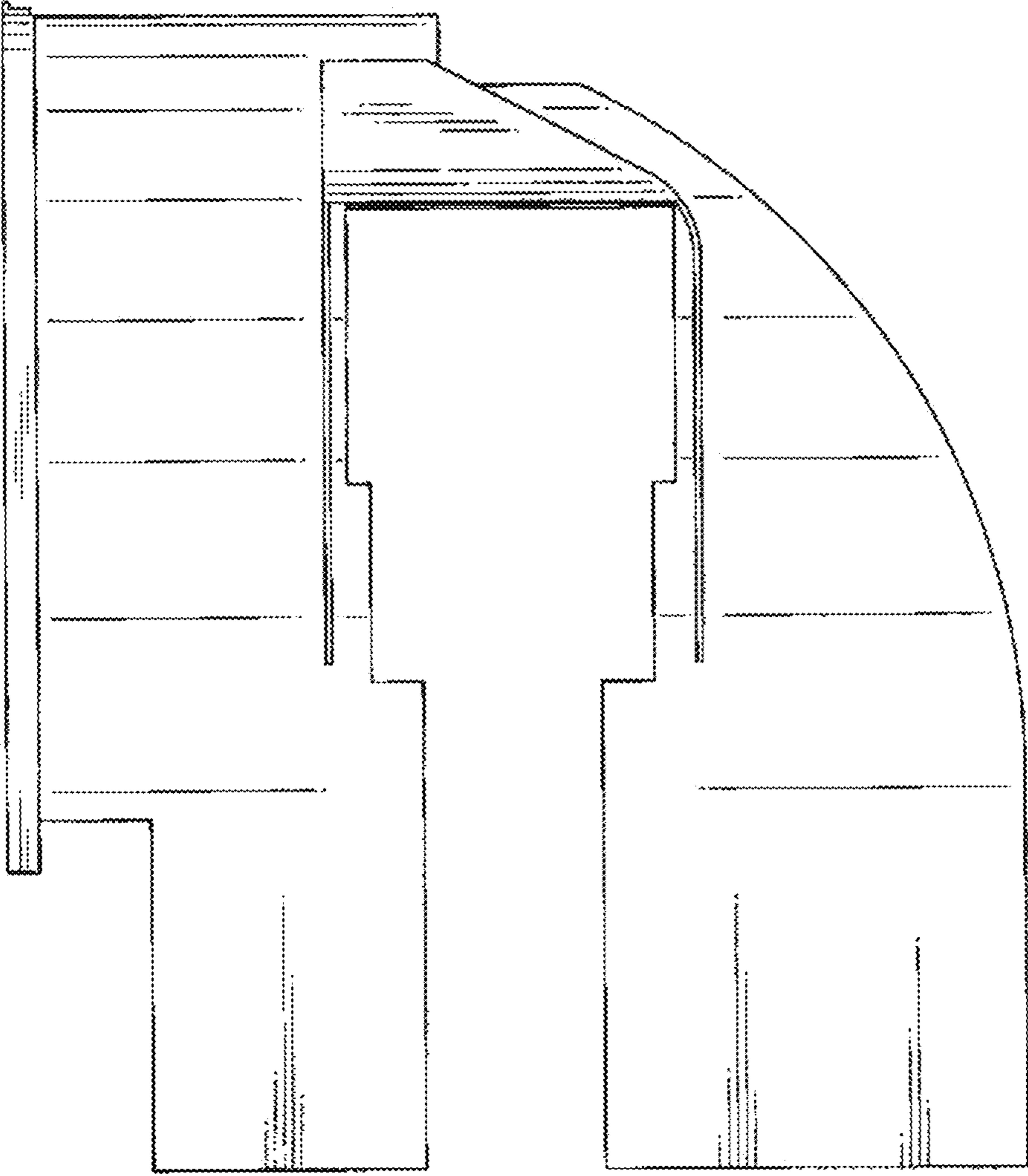


Fig. 5

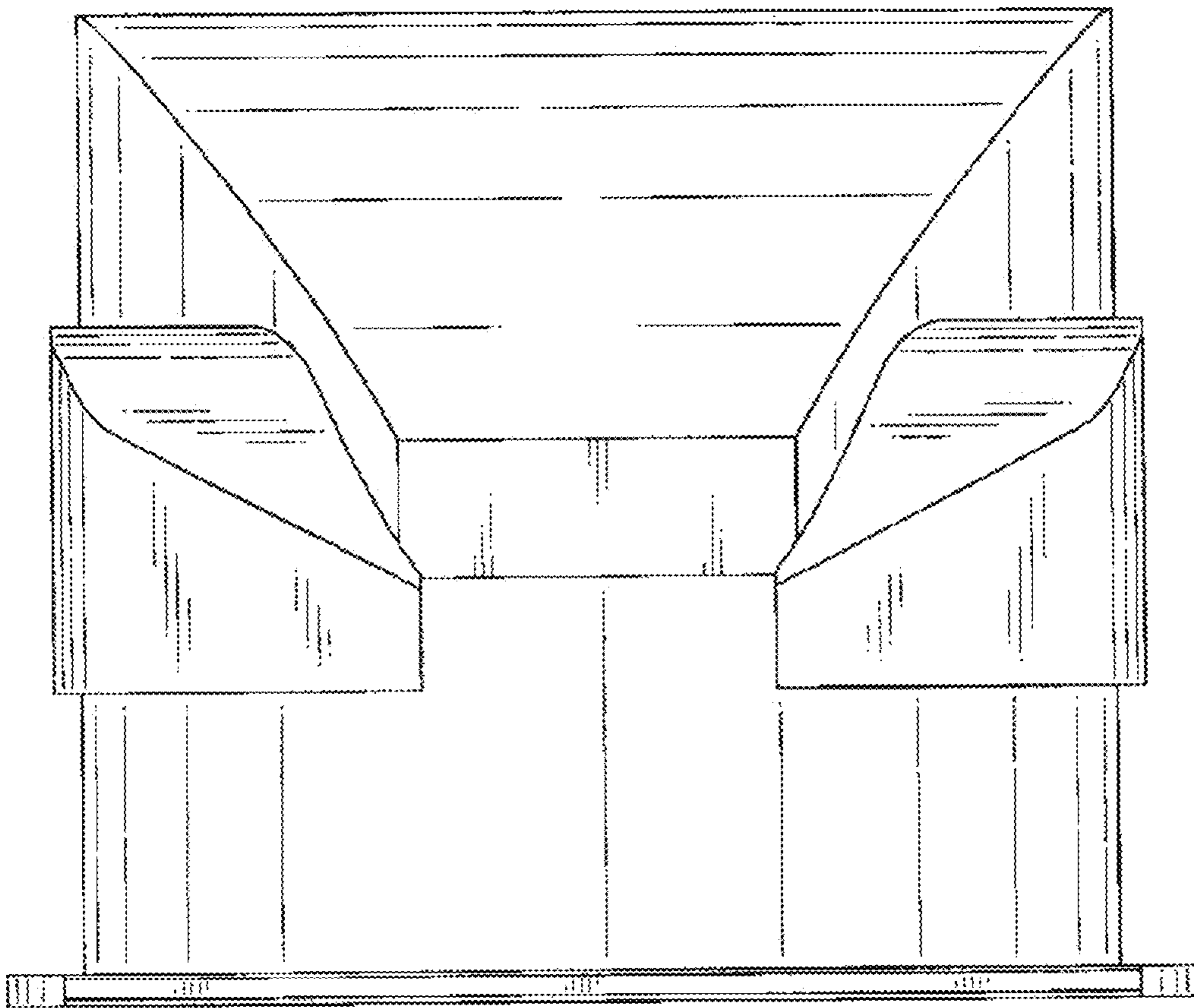


Fig. 6

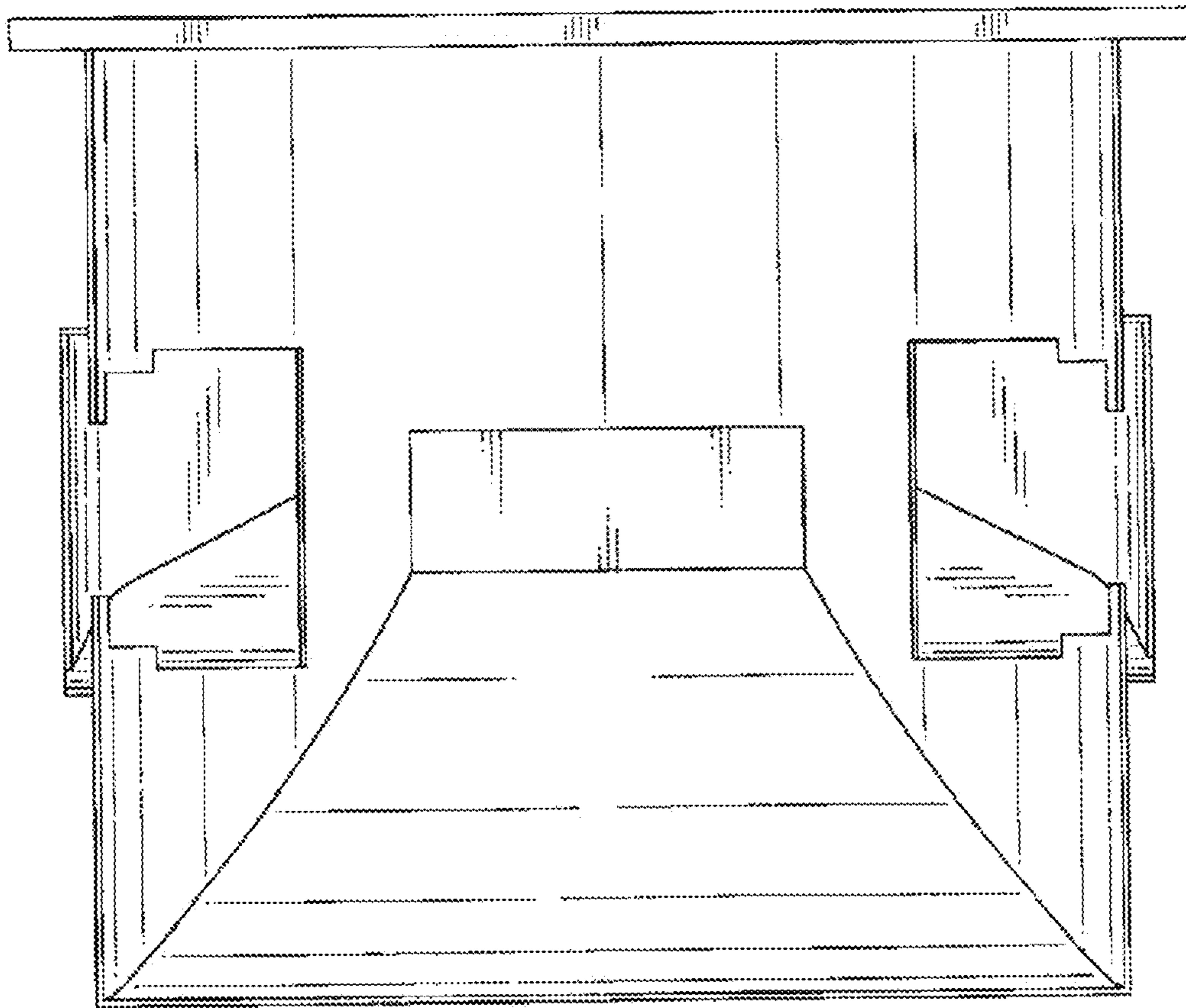


Fig. 7

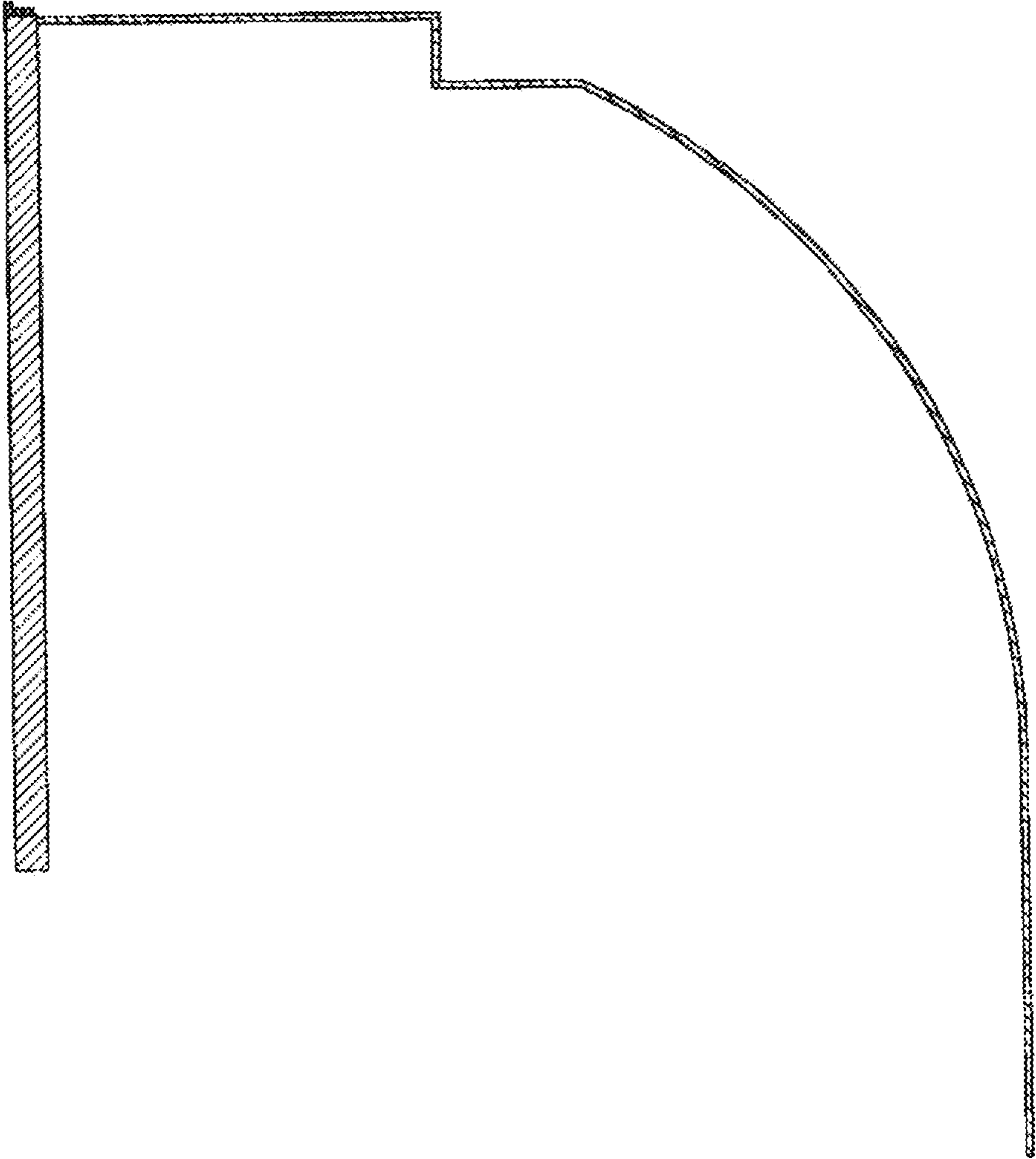


Fig. 8

