

US00D698459S

(12) **United States Design Patent**
Chan et al.

(10) **Patent No.:** **US D698,459 S**
(45) **Date of Patent:** **** Jan. 28, 2014**

(54) **CONTAINER**

(71) Applicant: **Roche Diagnostics Operations, Inc.**,
Indianapolis, IN (US)

(72) Inventors: **Frank A. Chan**, Sunnyvale, CA (US);
Abner D. Joseph, Carmel, IN (US)

(73) Assignee: **Roche Diagnostics Operations, Inc.**,
Indianapolis, IN (US)

(**) Term: **14 Years**

(21) Appl. No.: **29/443,313**

(22) Filed: **Jan. 16, 2013**

(51) **LOC (10) Cl.** **24-01**

(52) **U.S. Cl.**
USPC **D24/224**

(58) **Field of Classification Search**
USPC D24/216, 223, 224, 225, 226, 227, 229,
D24/230, 231, 232; D10/81; D9/500, 503,
D9/504, 420, 423, 428, 432, 436, 529, 539,
D9/574; 422/500, 547, 565; 215/306, 235,
215/237; 206/305; 220/836, 839; D3/201,
D3/203.1, 203.2

See application file for complete search history.

(56) **References Cited**

U.S. PATENT DOCUMENTS

D397,247 S * 8/1998 Gardner et al. D3/203.2
6,705,463 B1 * 3/2004 Bucholtz et al. 206/315.9
D540,188 S * 4/2007 Karussi et al. D9/734
D541,426 S * 4/2007 Sato et al. D24/224
7,472,797 B2 * 1/2009 Ostrowski 215/306
D599,032 S * 8/2009 Bucholtz et al. D24/224
D616,753 S * 6/2010 Beam et al. D9/529
D621,951 S * 8/2010 Bucholtz et al. D24/224

D649,658 S * 11/2011 Belfance et al. D24/224
D669,169 S * 10/2012 Washington et al. D24/121
2011/0174644 A1 7/2011 Chan et al.

* cited by examiner

Primary Examiner — Anhdao Doan
(74) *Attorney, Agent, or Firm* — Woodard, Emhardt,
Moriarty, McNett & Henry LLP

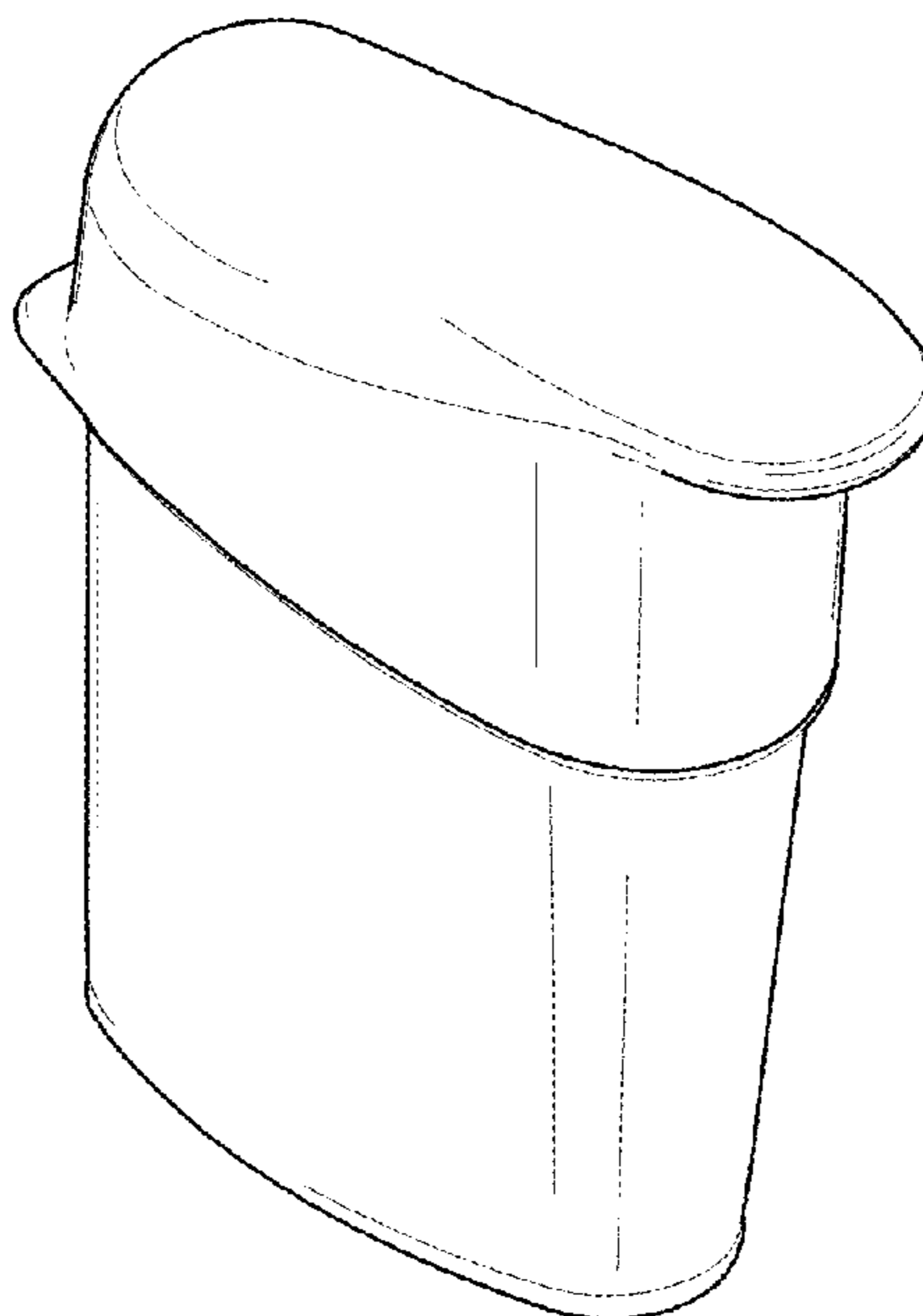
(57) **CLAIM**

The ornamental design for a container, as shown and described.

DESCRIPTION

FIG. 1 is a top, front, left side perspective view of a product container showing our new design;
FIG. 2 is a top, front, left side perspective view thereof shown in the open position;
FIG. 3 is a left side elevational view thereof;
FIG. 4 is a left side elevational view thereof shown in the open position;
FIG. 5 is a front elevational view thereof;
FIG. 6 is a front elevational view thereof shown in the open position;
FIG. 7 is a right side elevational view thereof;
FIG. 8 is a right side elevational view thereof shown in the open position;
FIG. 9 is a rear elevational view thereof;
FIG. 10 is a rear elevational view thereof shown in the open position;
FIG. 11 is a top plan view thereof;
FIG. 12 is a top plan view thereof shown in the open position;
FIG. 13 is a bottom plan view thereof; and,
FIG. 14 is a bottom plan view thereof shown in the open position.

1 Claim, 7 Drawing Sheets



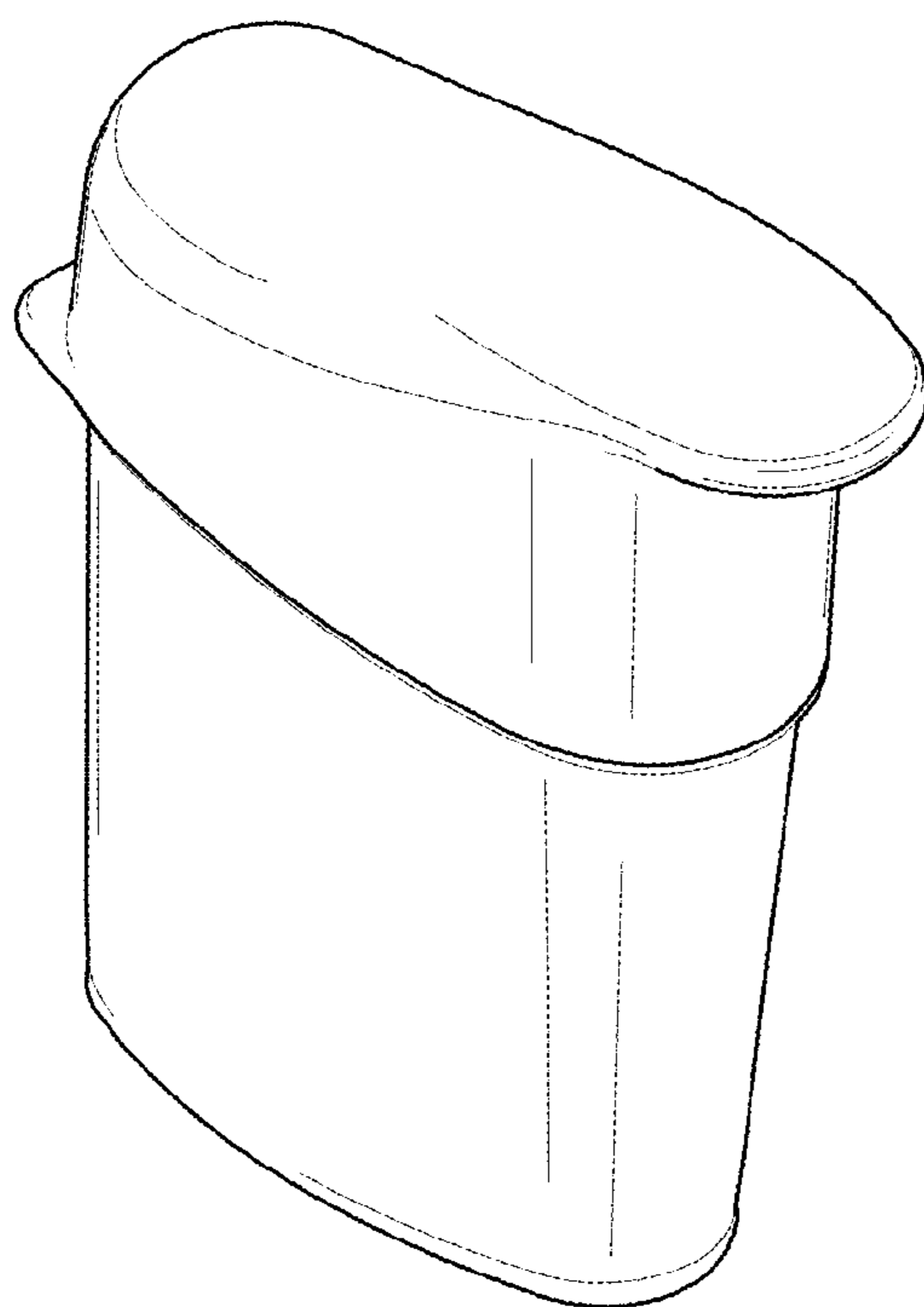


Fig. 1

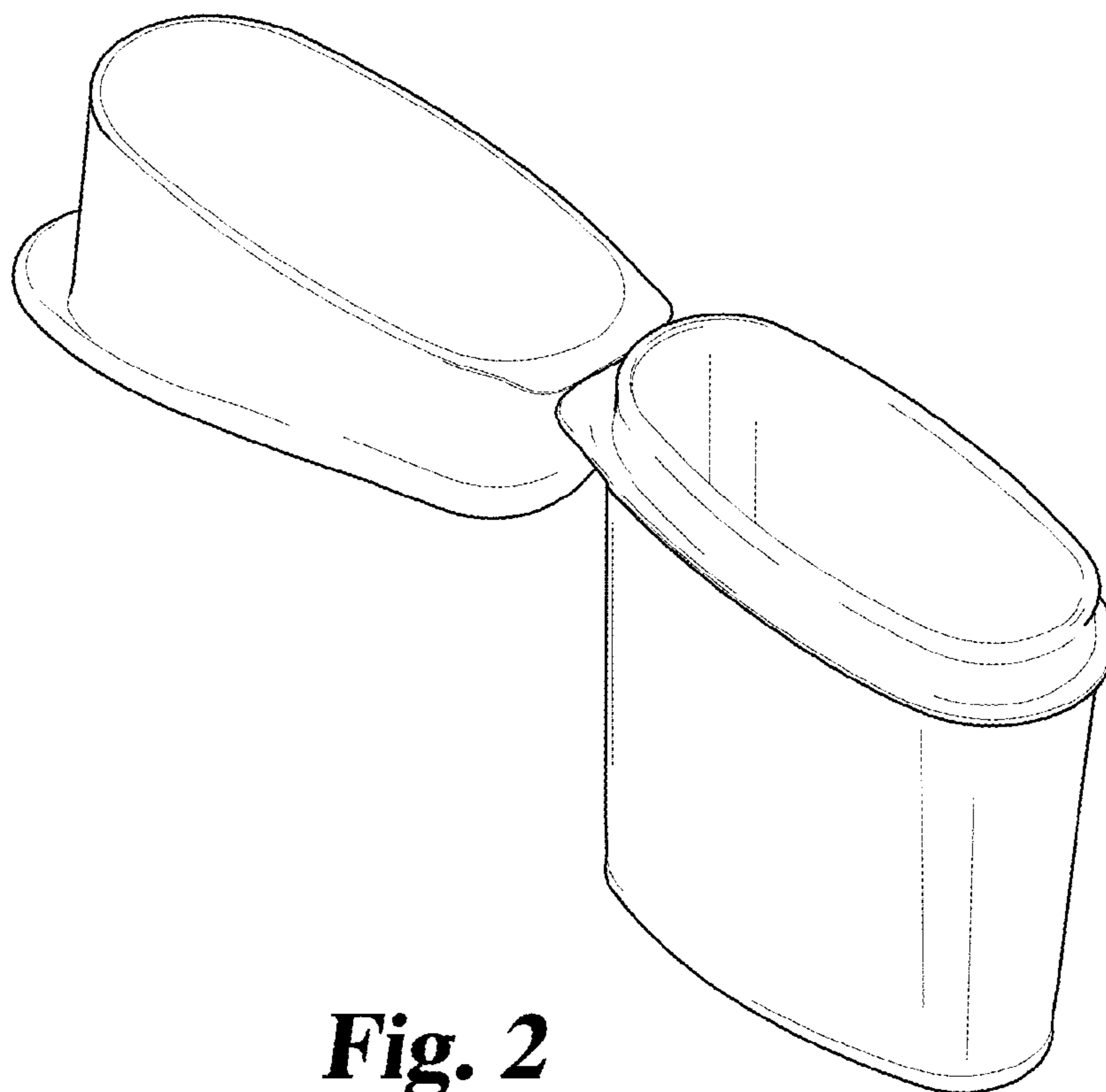


Fig. 2

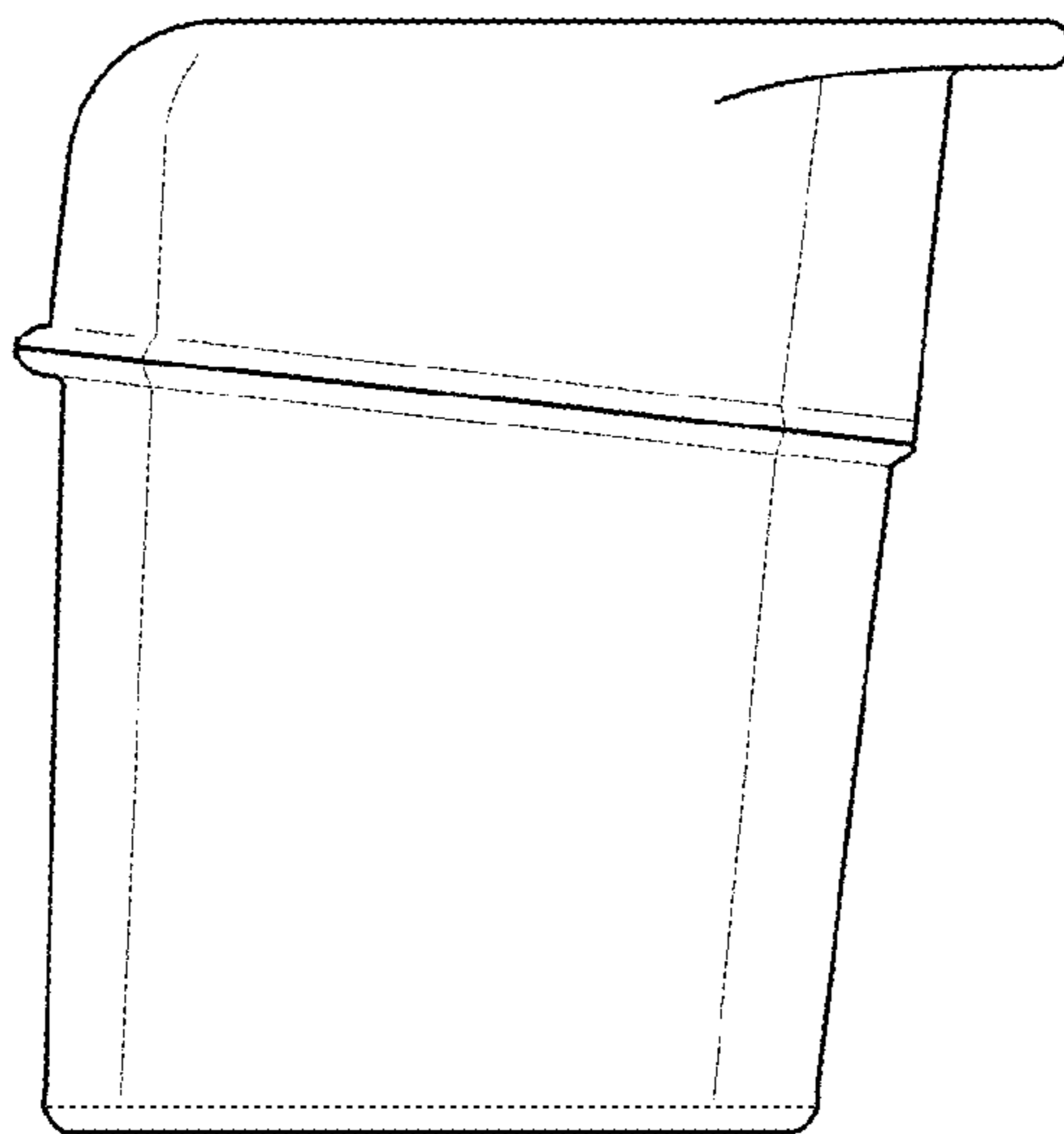


Fig. 3

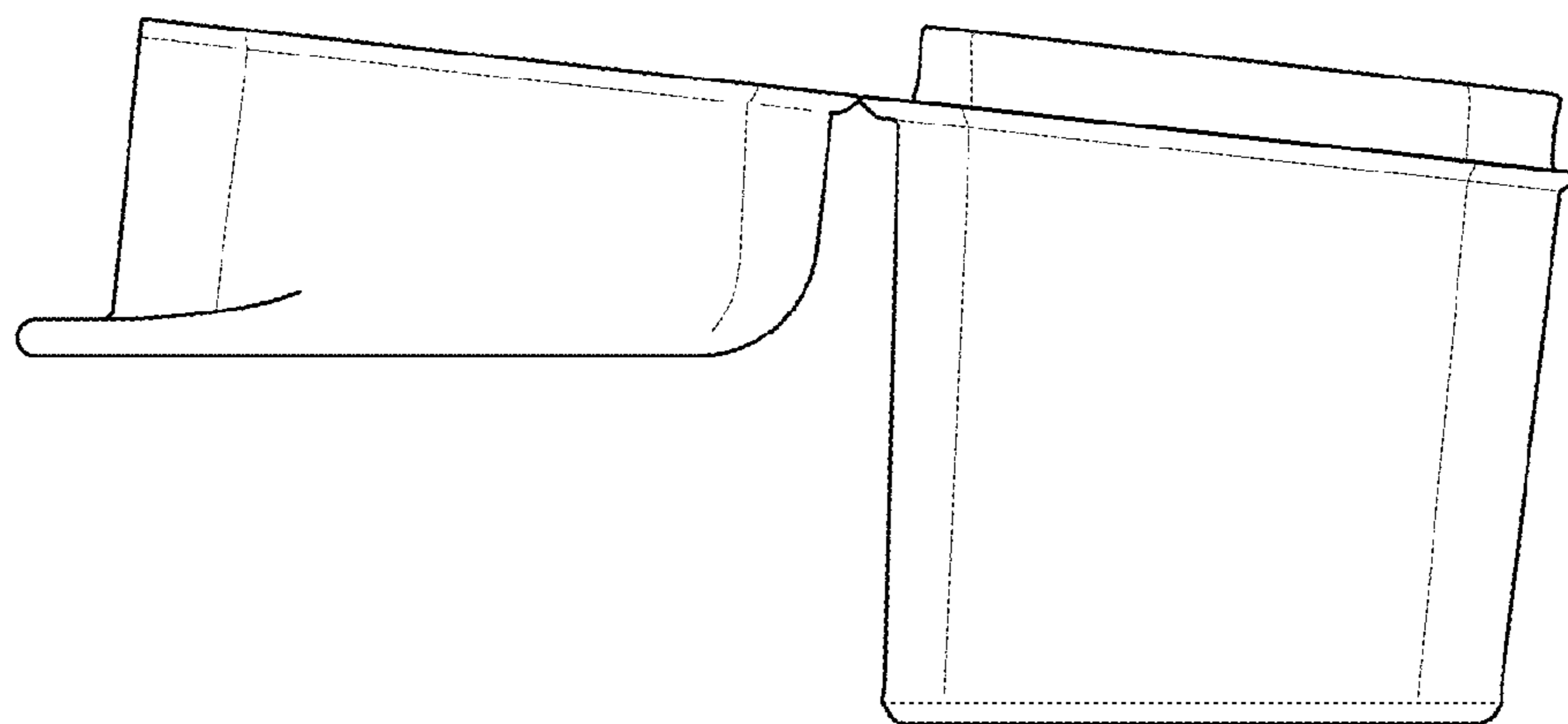


Fig. 4

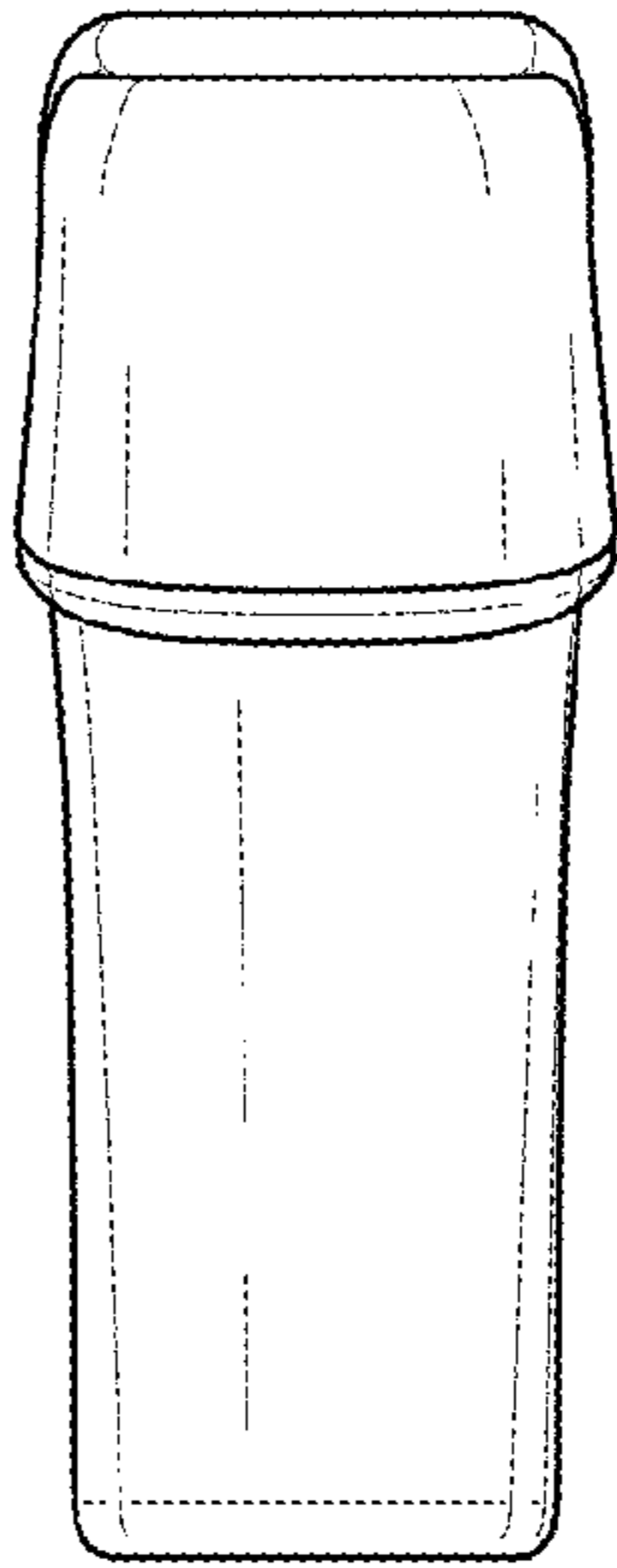


Fig. 5

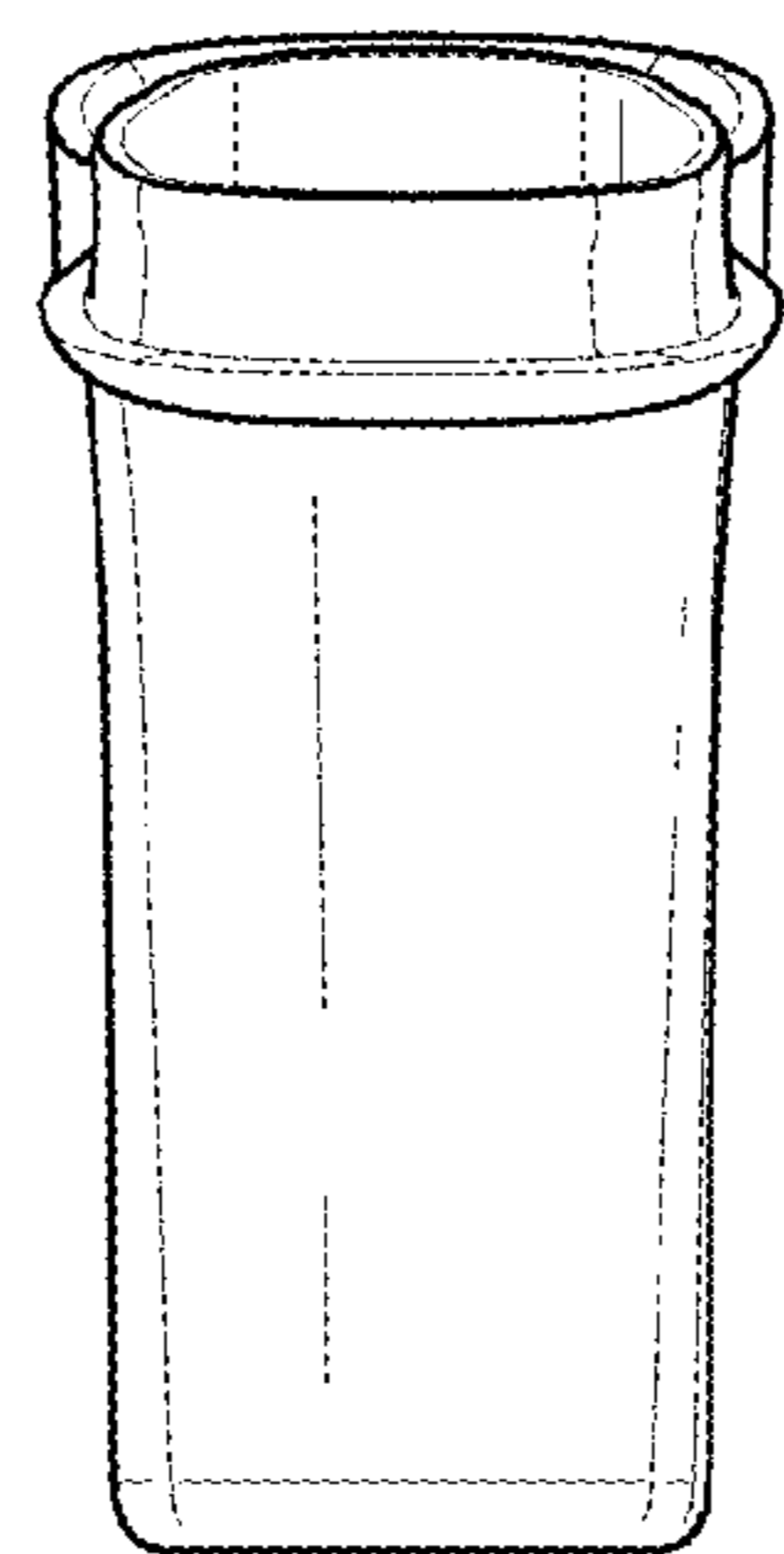


Fig. 6

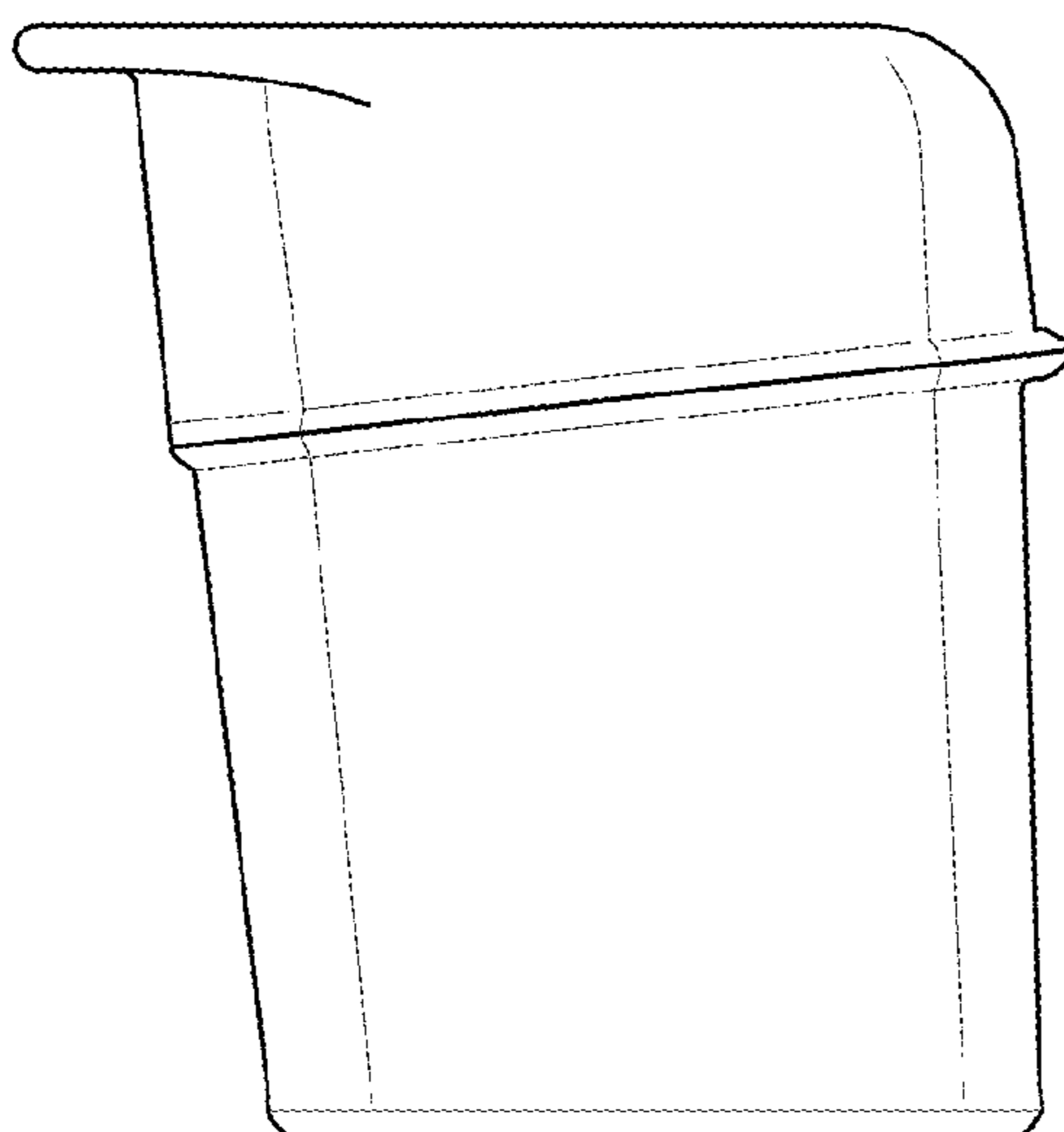


Fig. 7

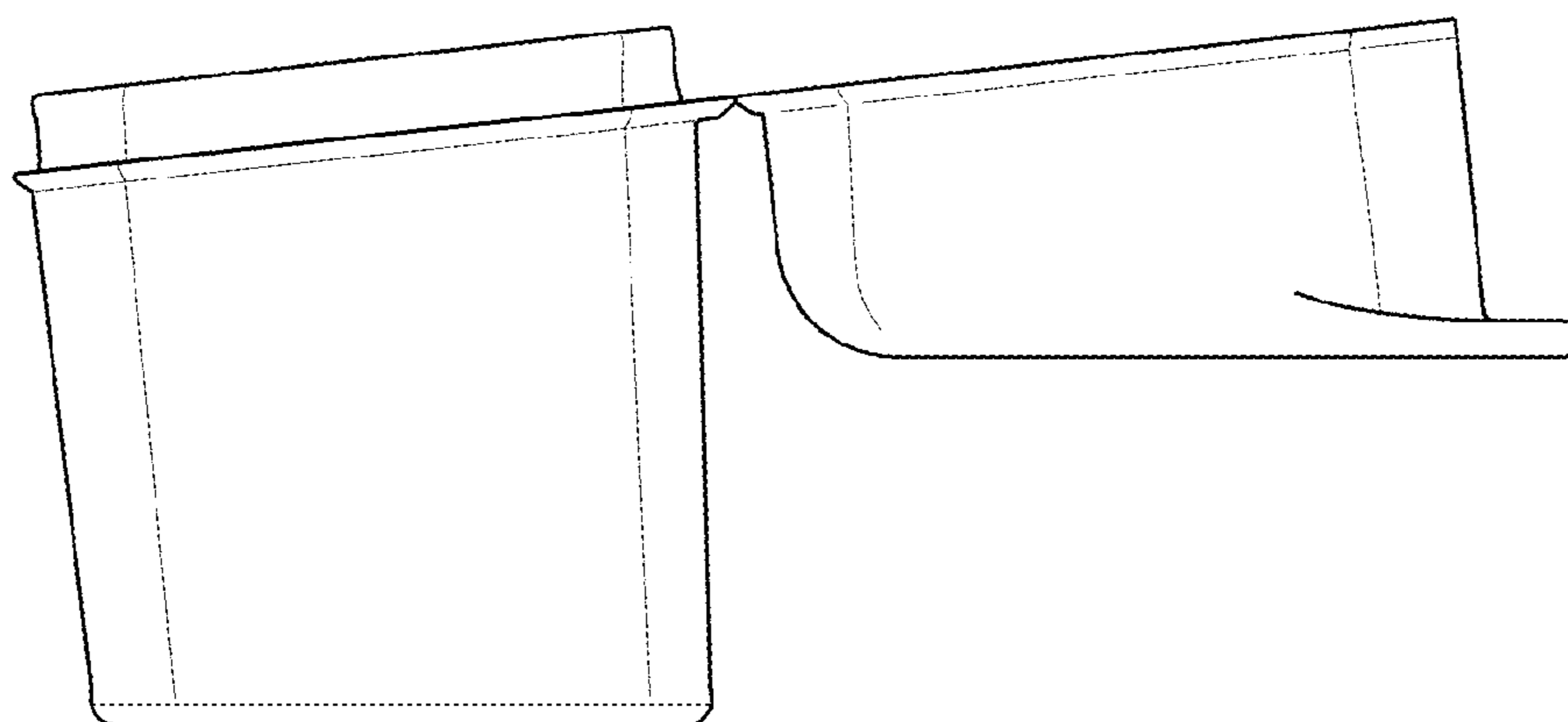


Fig. 8

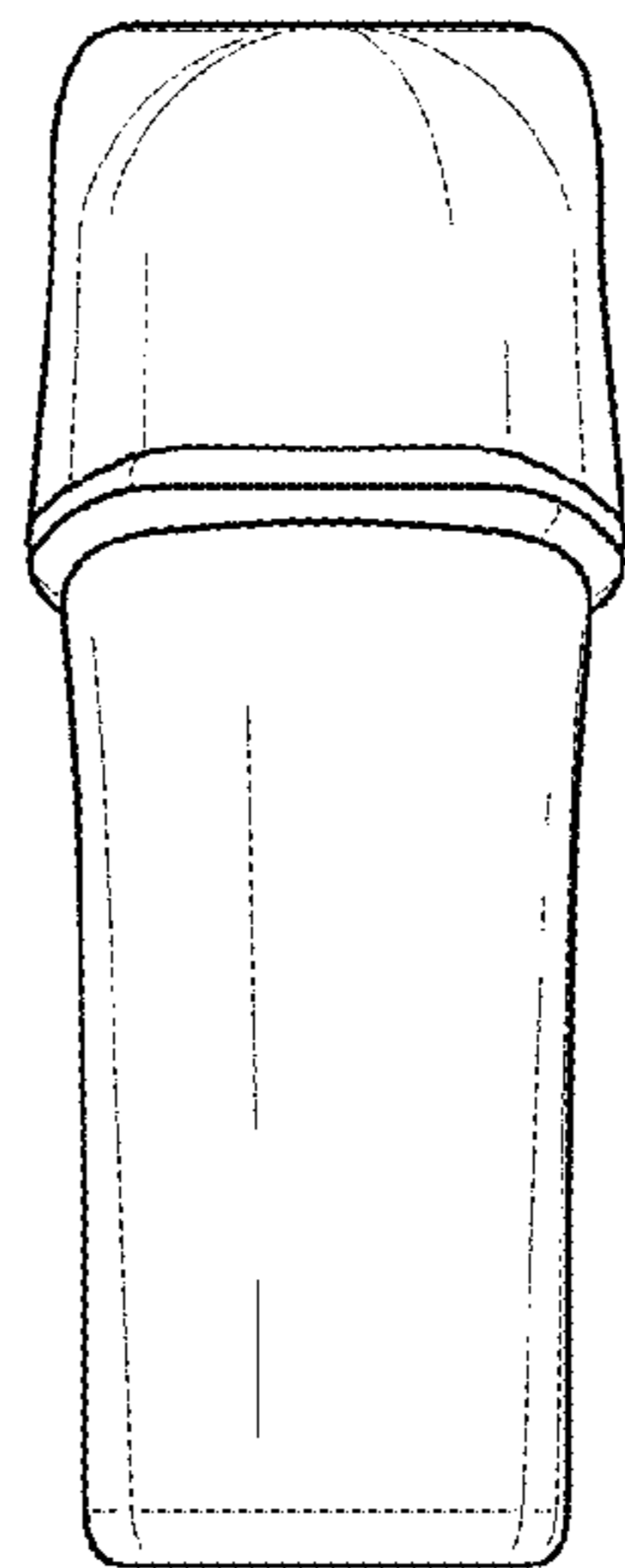


Fig. 9

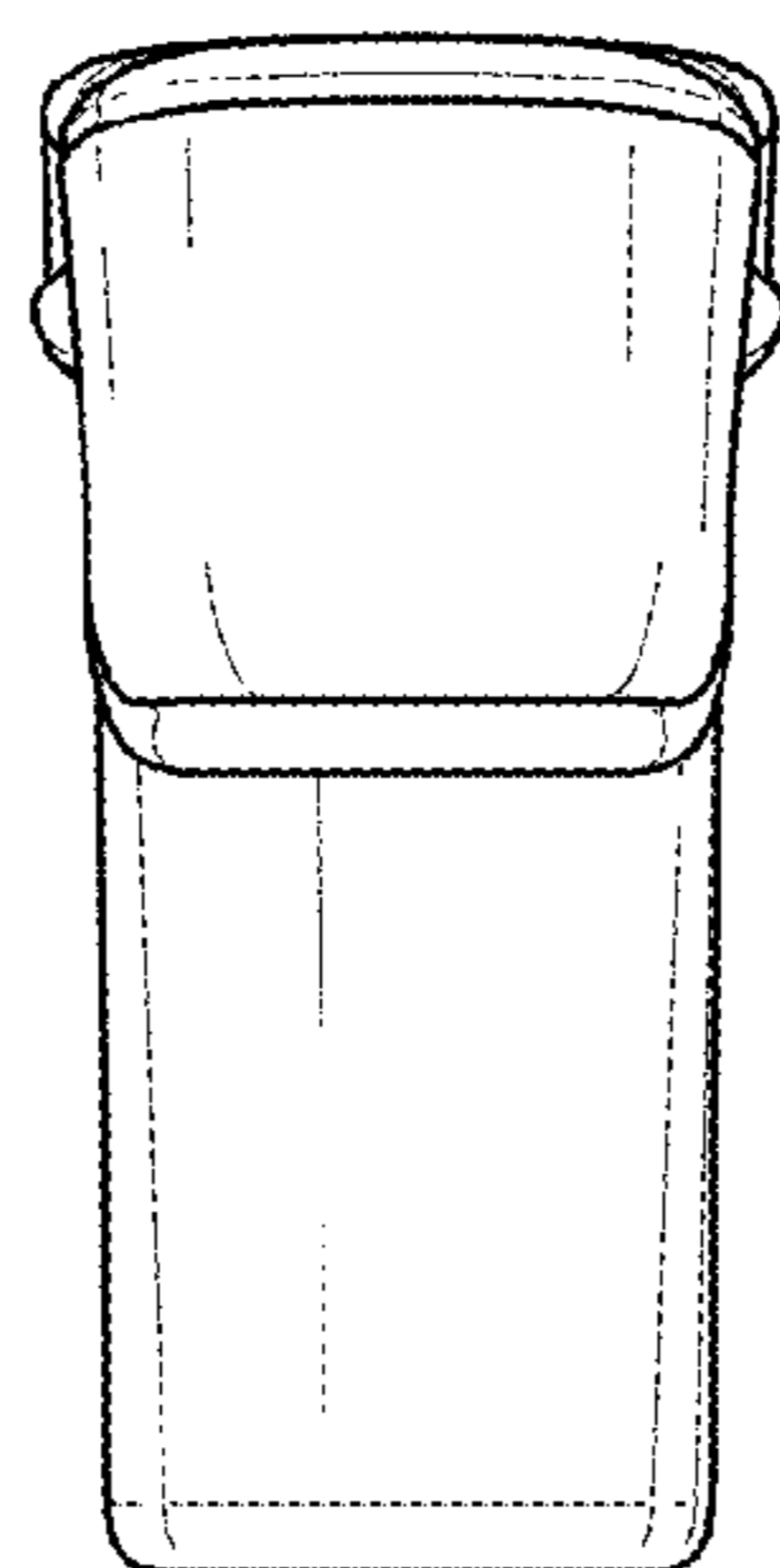


Fig. 10

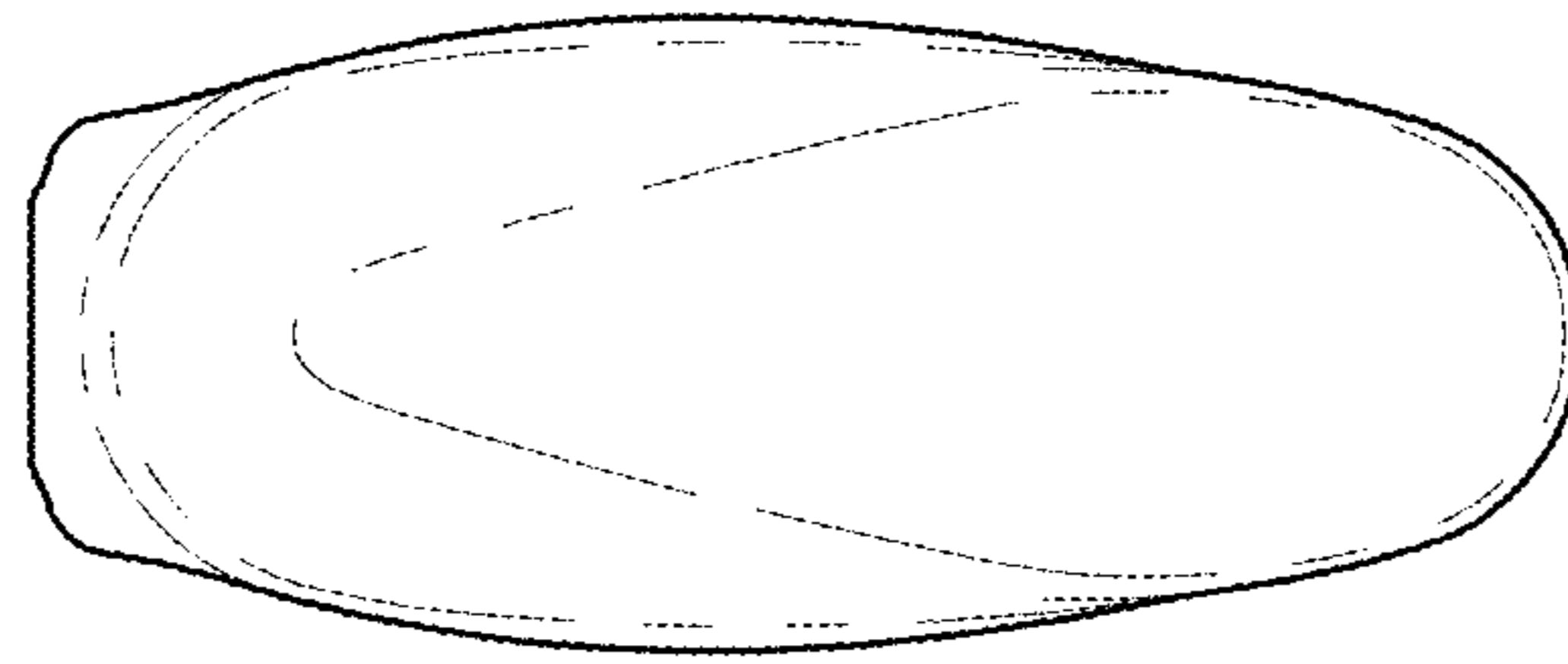


Fig. 11

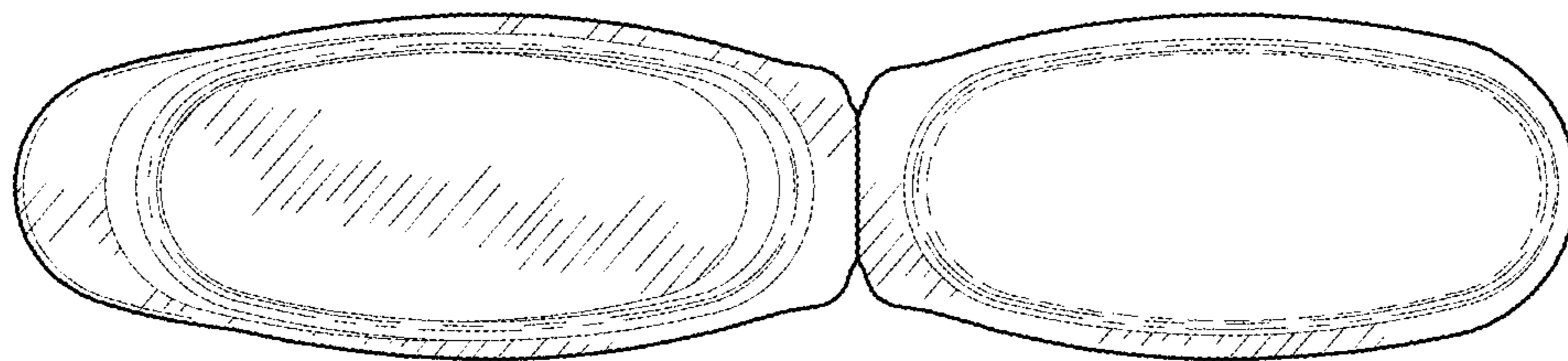


Fig. 12

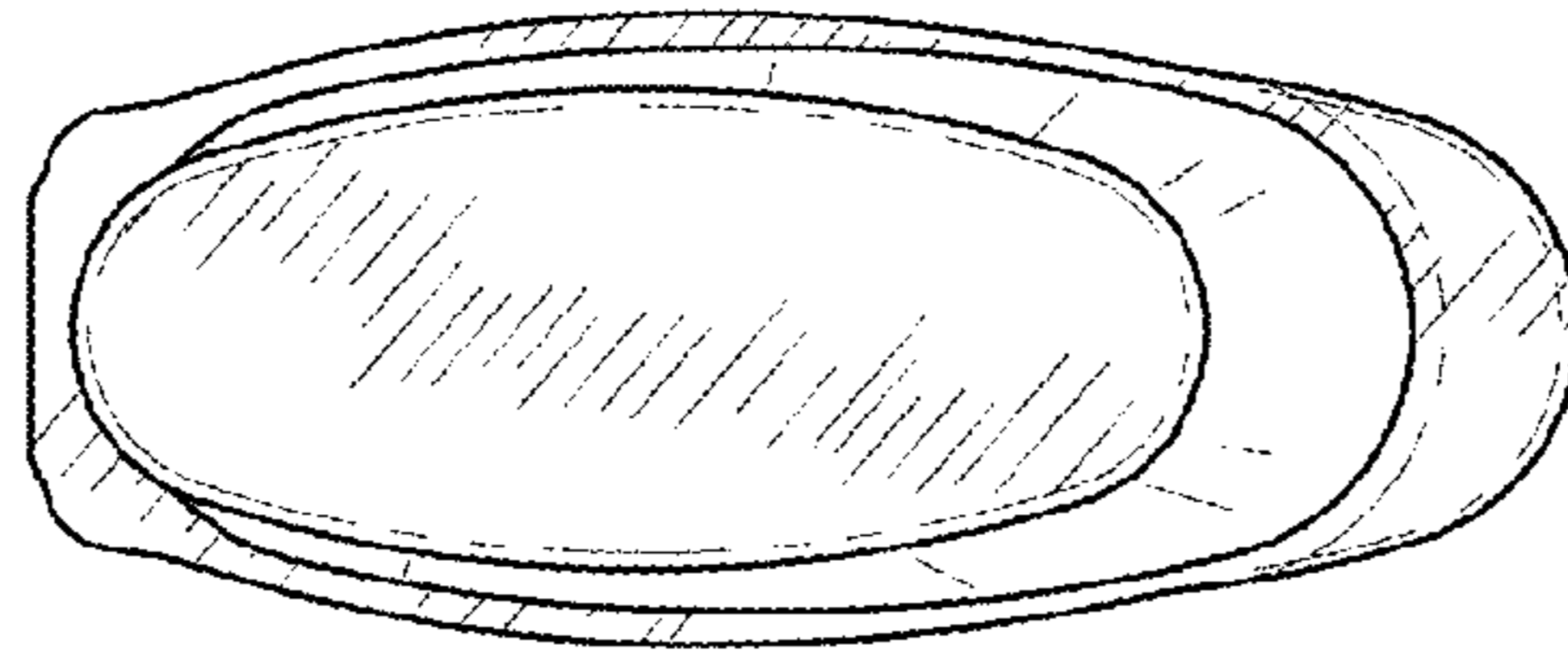


Fig. 13

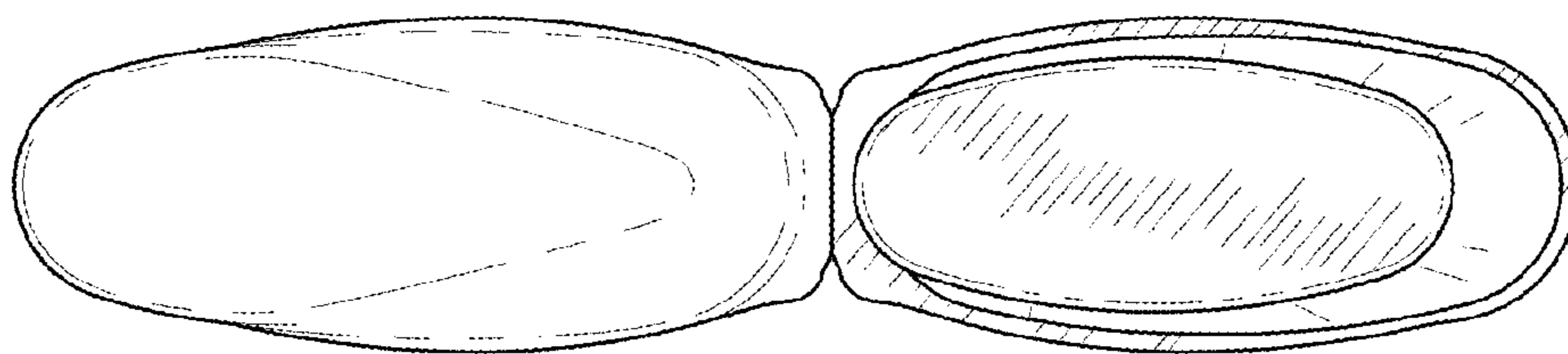


Fig. 14