



US00D698457S

(12) **United States Design Patent**
Canova et al.

(10) **Patent No.:** **US D698,457 S**
(45) **Date of Patent:** **** Jan. 28, 2014**

(54) **PREGNANCY TEST STICK**

(71) Applicants: **Brian E. Canova**, Lafayette, LA (US);
Jason M. Peluso, Cranston, RI (US)

(72) Inventors: **Brian E. Canova**, Lafayette, LA (US);
Jason M. Peluso, Cranston, RI (US)

(73) Assignee: **Fourstar Group Inc.** (TW)

(**) Term: **14 Years**

(21) Appl. No.: **29/452,395**

(22) Filed: **Apr. 16, 2013**

(51) **LOC (10) Cl.** **24-01**

(52) **U.S. Cl.**
USPC **D24/223**

(58) **Field of Classification Search**
USPC D24/169, 186, 216, 223–226, 231, 232;
D10/81; 436/165, 169; 422/68.1, 82.1,
422/400, 401, 402, 403
See application file for complete search history.

(56) **References Cited**

U.S. PATENT DOCUMENTS

D383,549 S *	9/1997	Arnett et al.	D24/223
D394,317 S *	5/1998	Carp	D24/223
D523,964 S *	6/2006	Phelan et al.	D24/223
D537,168 S *	2/2007	Sigel et al.	D24/223
7,220,597 B2 *	5/2007	Zin et al.	436/518
D575,876 S *	8/2008	Laverack	D24/225
8,268,636 B2 *	9/2012	Nazareth et al.	436/514
D672,880 S *	12/2012	Laverack et al.	D24/223

* cited by examiner

Primary Examiner — Anhdao Doan

(74) *Attorney, Agent, or Firm* — Salter & Michaelson

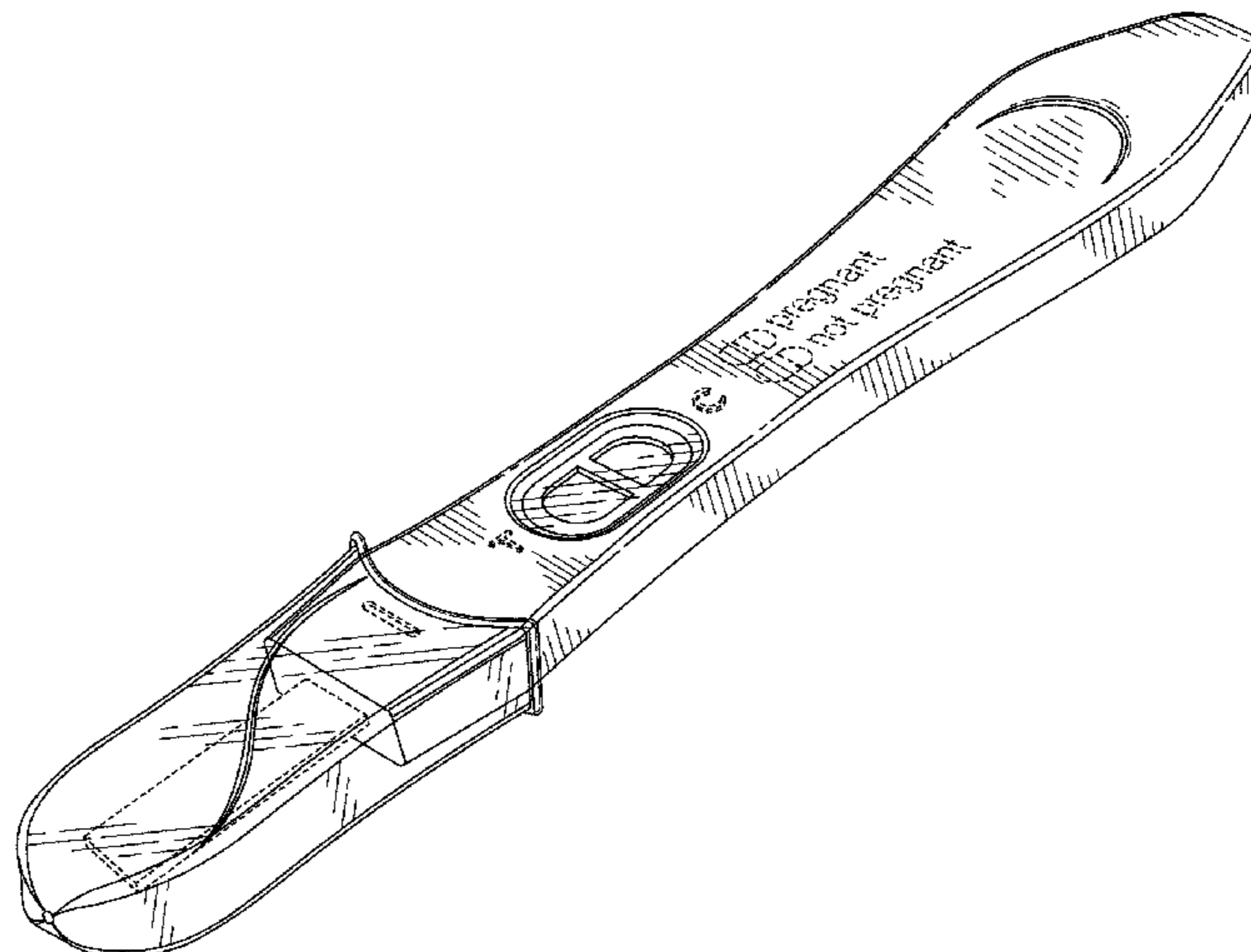
(57) **CLAIM**

The ornamental design for a pregnancy test stick, as shown and described.

DESCRIPTION

FIG. 1 is a perspective view of a first embodiment of a pregnancy test stick;
 FIG. 2 is a top plan view of a first embodiment thereof;
 FIG. 3 is a bottom plan view of a first embodiment thereof;
 FIG. 4 is a right side elevational view of a first embodiment thereof;
 FIG. 5 is a left side elevational view of a first embodiment thereof;
 FIG. 6 is a front elevational view of a first embodiment thereof;
 FIG. 7 is a rear elevational view of a first embodiment thereof;
 FIG. 8 is an exploded perspective view of a first embodiment thereof;
 FIG. 9 is a perspective view of a second embodiment thereof;
 FIG. 10 is a top plan view of a second embodiment thereof;
 FIG. 11 is a bottom plan view of a second embodiment thereof;
 FIG. 12 is a right side elevational view of a second embodiment thereof;
 FIG. 13 is a left side elevational view of a second embodiment thereof;
 FIG. 14 is a front elevational view of a second embodiment thereof;
 FIG. 15 is a rear elevational view of a second embodiment thereof; and,
 FIG. 16 is an exploded perspective view of a second embodiment thereof.
 The portions shown in broken lines are included for illustrative purposes only and form no part of the claimed design.

1 Claim, 8 Drawing Sheets



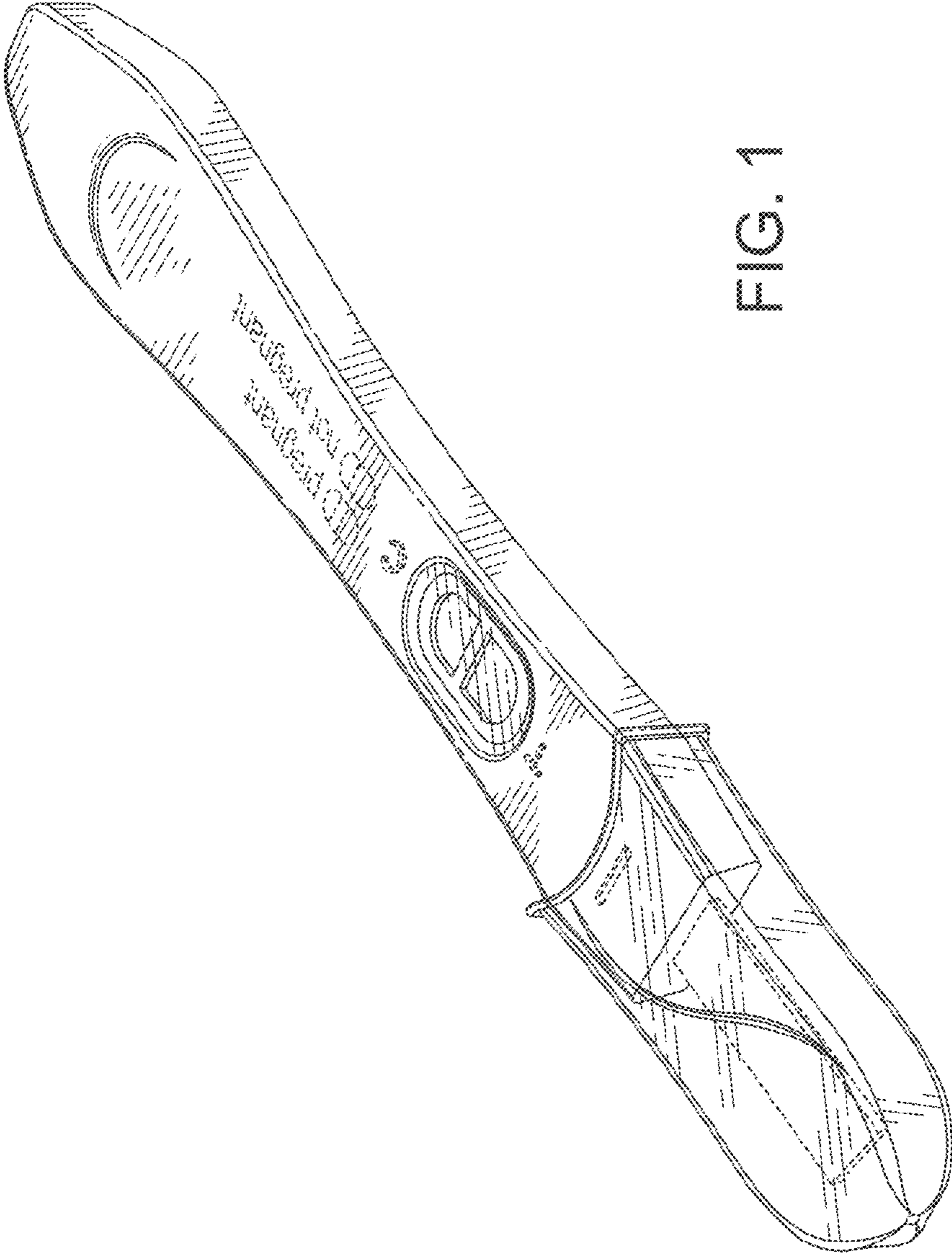


FIG. 1

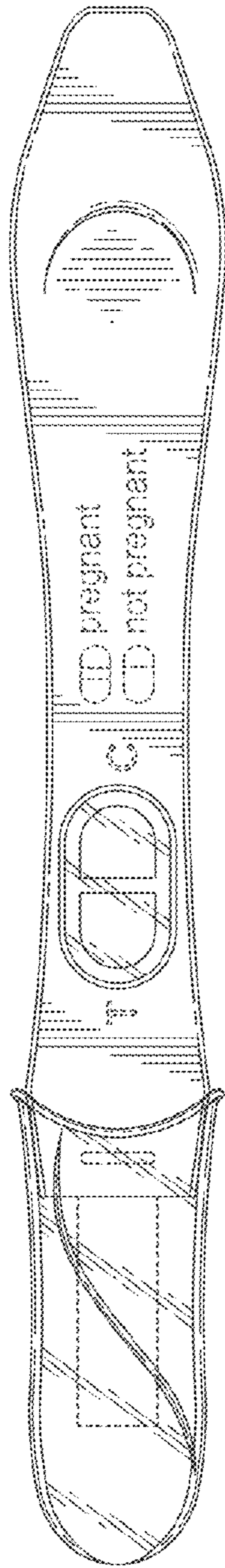


FIG. 2

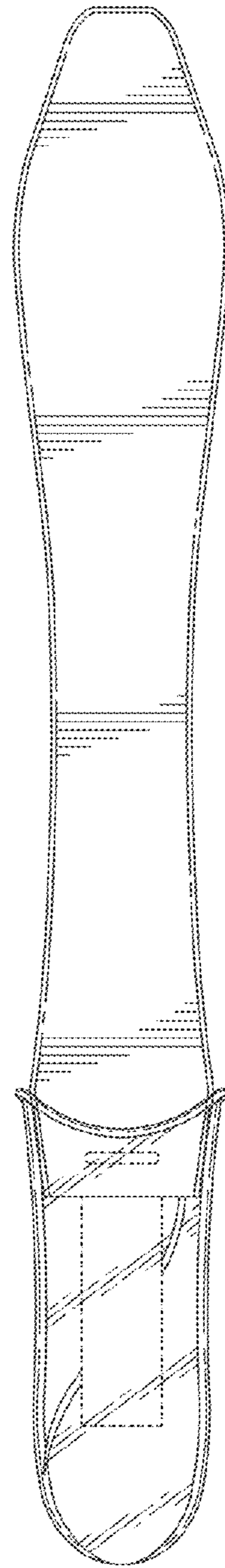


FIG. 3

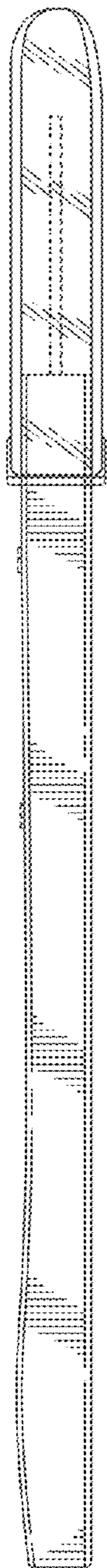


FIG. 4

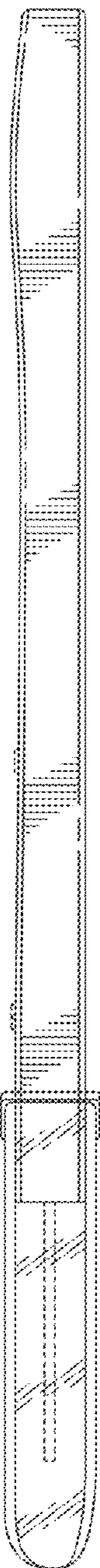


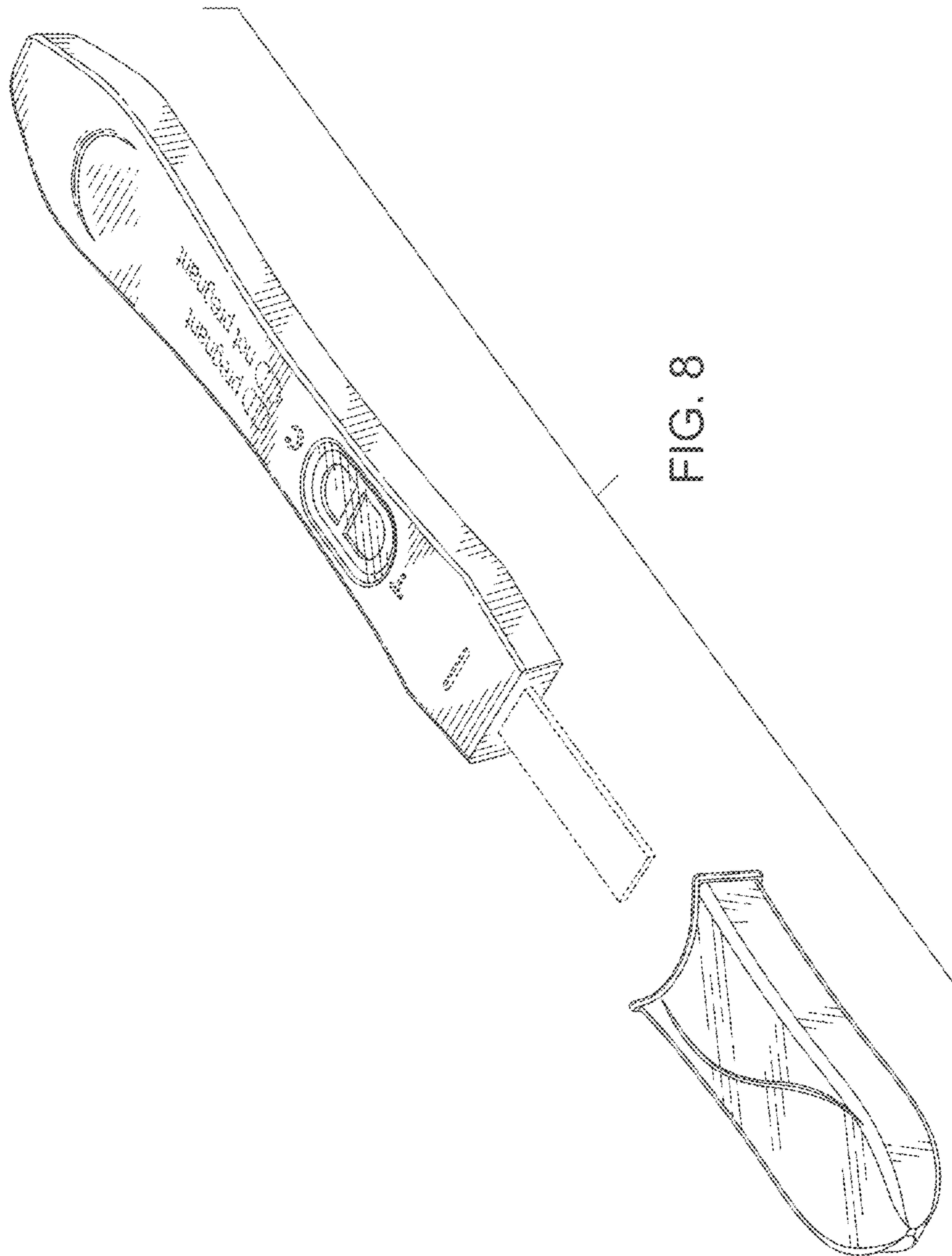
FIG. 5



FIG. 6



FIG. 7



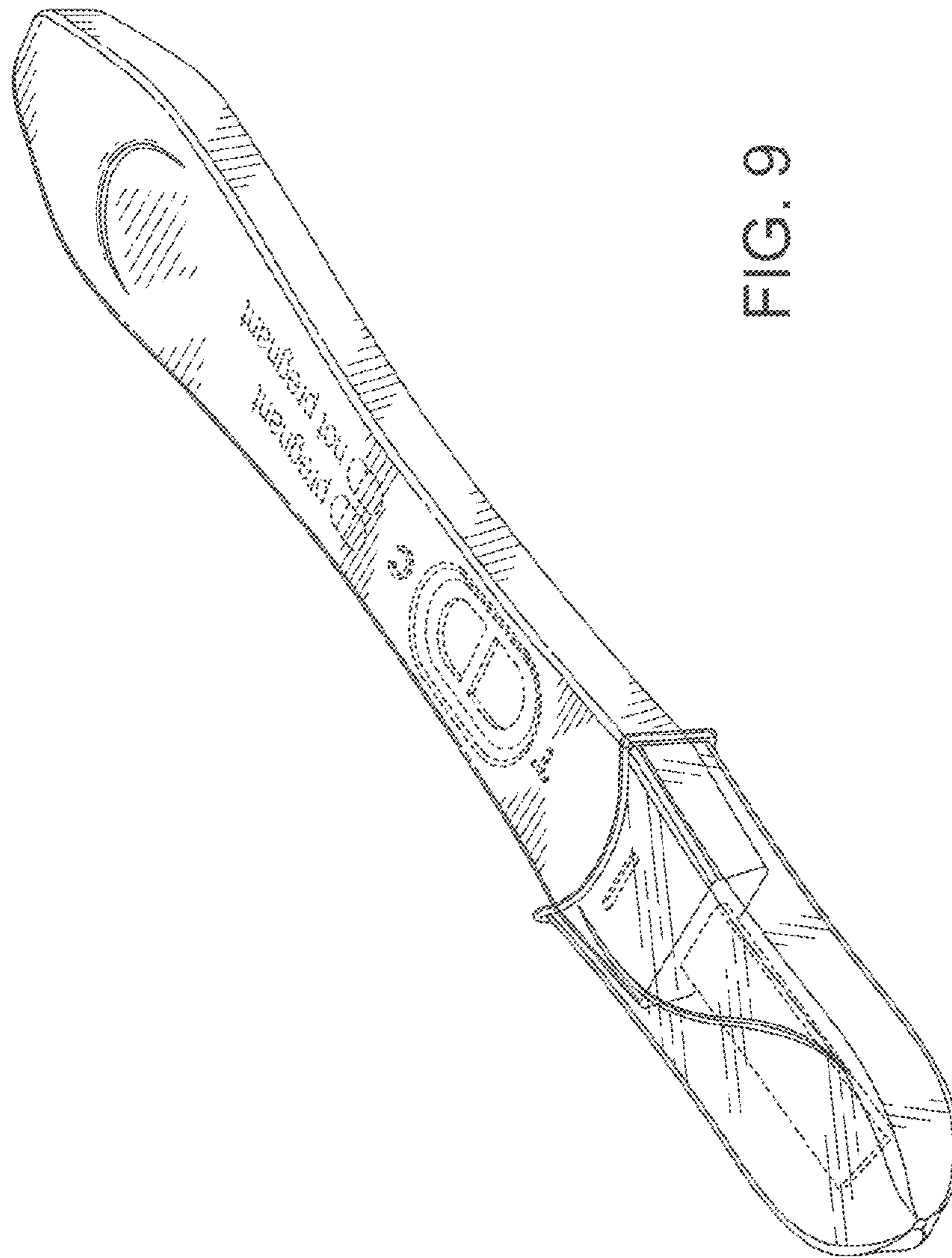


FIG. 9

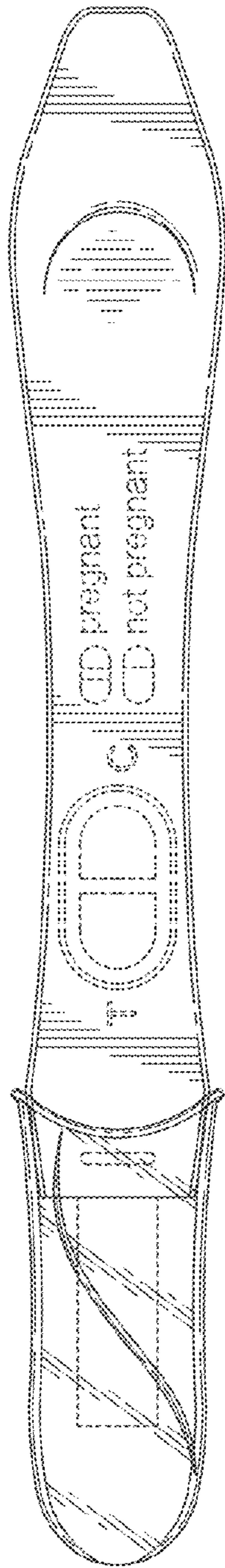


FIG. 10

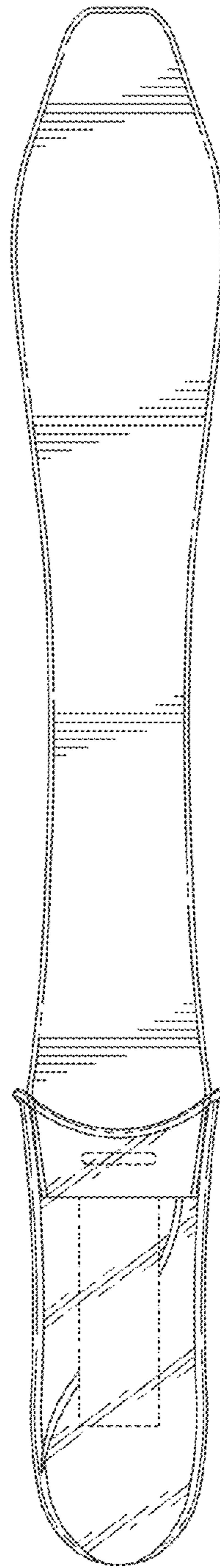


FIG. 11

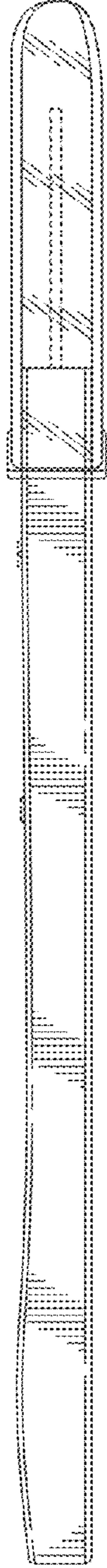


FIG. 12



FIG. 13



FIG. 14



FIG. 15

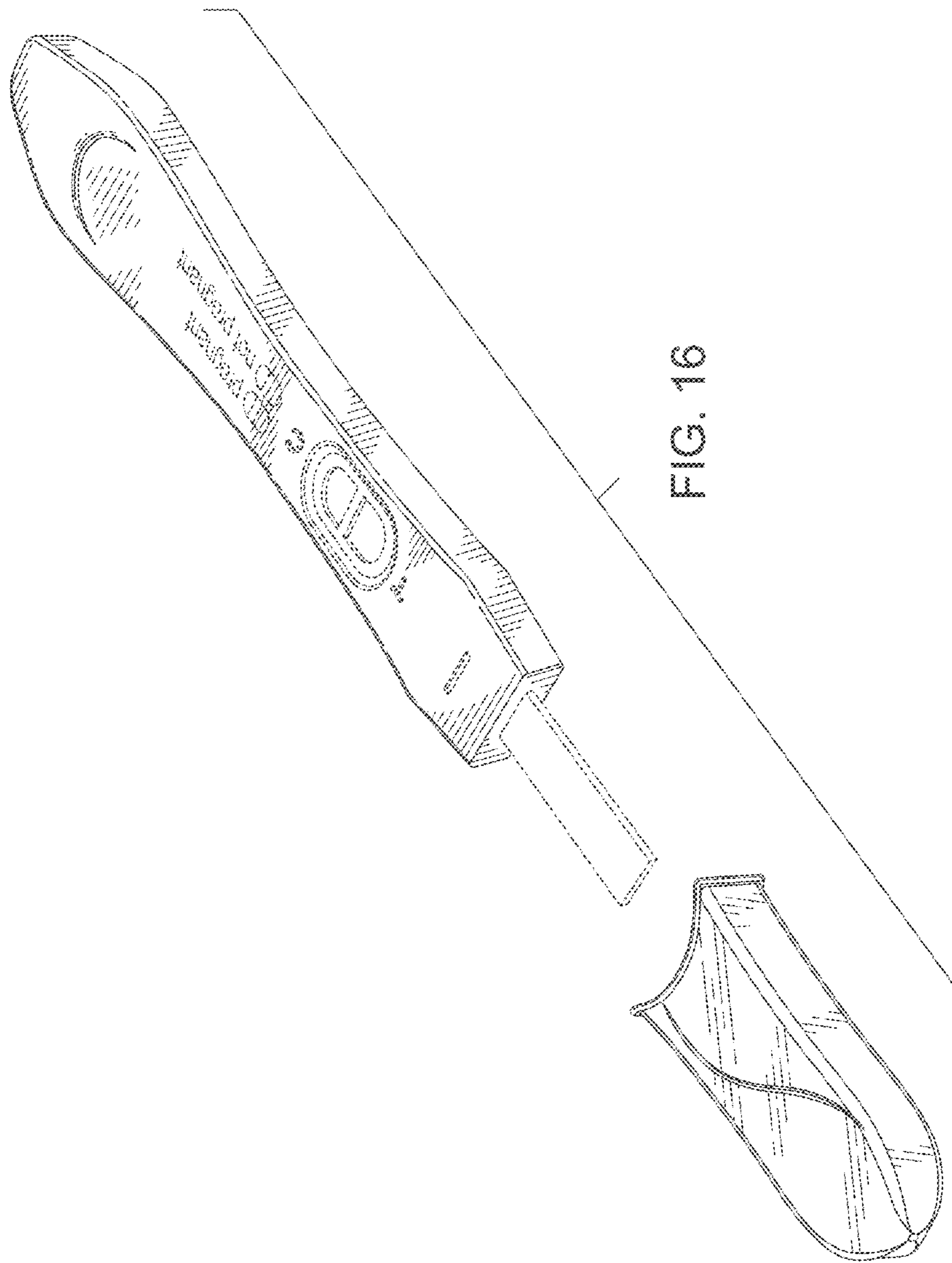


FIG. 16