



US00D698454S

(12) **United States Design Patent**  
**DiStefano**

(10) **Patent No.:** **US D698,454 S**

(45) **Date of Patent:** **\*\* Jan. 28, 2014**

(54) **HAND HELD MASSAGER**

(71) Applicant: **Michael DiStefano**, Berkeley Heights,  
NJ (US)

(72) Inventor: **Michael DiStefano**, Berkeley Heights,  
NJ (US)

(\*\*) Term: **14 Years**

(21) Appl. No.: **29/452,138**

(22) Filed: **Apr. 12, 2013**

(51) **LOC (10) Cl.** ..... **28-03**

(52) **U.S. Cl.**  
USPC ..... **D24/215**

(58) **Field of Classification Search**  
USPC ..... D24/200, 211, 212, 213, 214, 215;  
601/114, 120, 121, 124, 125, 130, 131,  
601/134, 135, 136, 137  
See application file for complete search history.

(56) **References Cited**

**U.S. PATENT DOCUMENTS**

D261,428 S *	10/1981	Noble	.....	D24/211
D387,482 S *	12/1997	Khan	.....	D28/8.1
D439,016 S *	3/2001	Syran et al.	.....	D28/63
6,226,811 B1 *	5/2001	Fagan	.....	4/606
6,389,631 B1 *	5/2002	Keith	.....	15/104.92
6,405,400 B1 *	6/2002	McClain	.....	15/160
D463,625 S *	9/2002	Chau	.....	D28/63
D478,174 S *	8/2003	Huang	.....	D24/212
D485,010 S *	1/2004	Crawford	.....	D28/8.1
6,684,444 B2 *	2/2004	Wheeler et al.	.....	15/110
D490,530 S *	5/2004	Chen	.....	D24/212
D499,810 S *	12/2004	Chien	.....	D24/211

D504,954 S *	5/2005	Park	.....	D24/215
D508,132 S *	8/2005	Huang	.....	D24/212
D527,144 S *	8/2006	Crawford et al.	.....	D28/8.1
D535,782 S *	1/2007	Caceres et al.	.....	D28/8.1
D542,418 S *	5/2007	Chen	.....	D24/211
D595,898 S *	7/2009	Syran et al.	.....	D28/63
D604,859 S *	11/2009	Liu	.....	D24/211
D635,720 S *	4/2011	Cammarano	.....	D28/63
2002/0049469 A1 *	4/2002	Chang	.....	606/204

\* cited by examiner

*Primary Examiner* — Sandra Snapp

(74) *Attorney, Agent, or Firm* — Gearhart Law, LLC

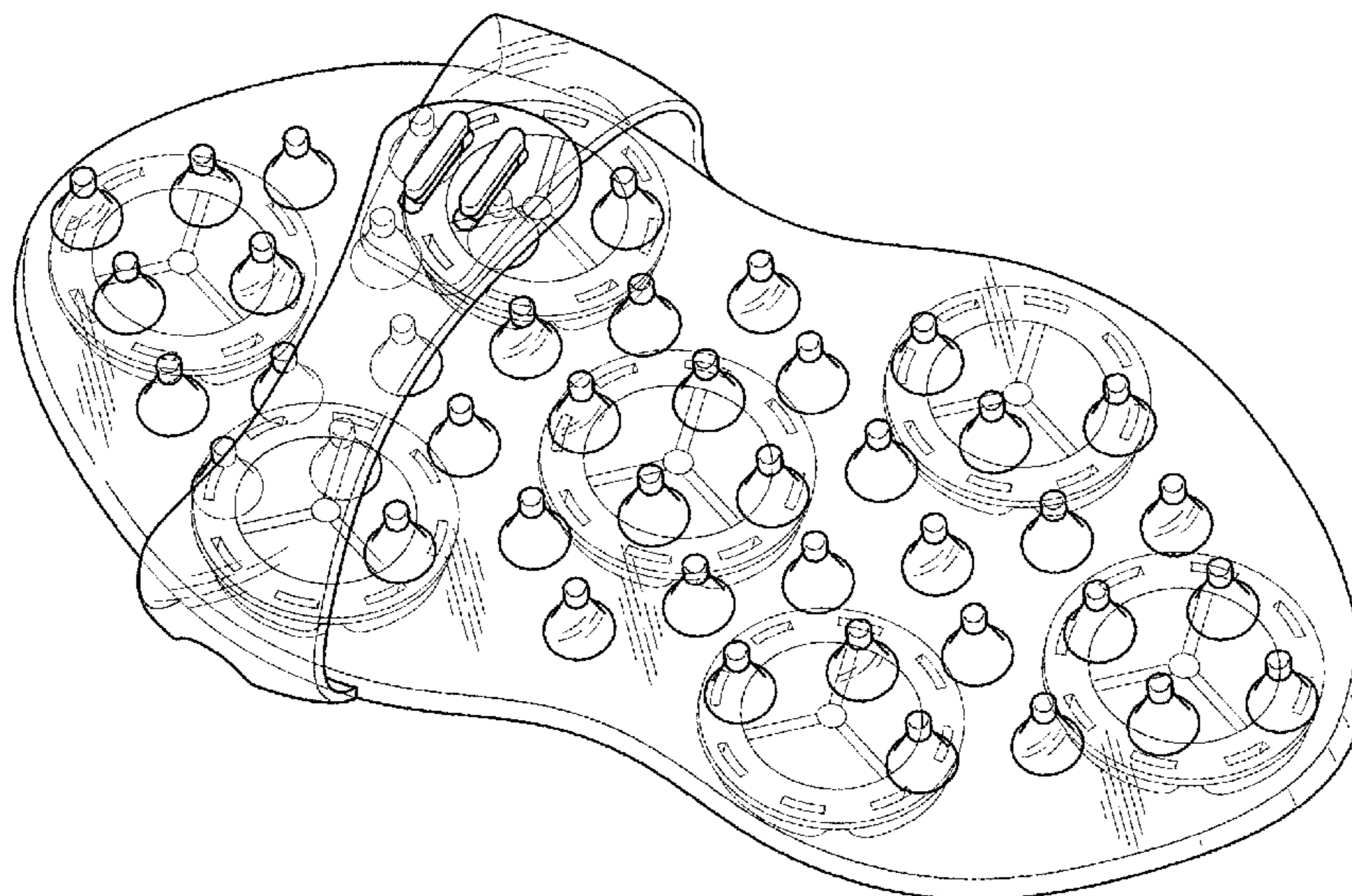
(57) **CLAIM**

I claim the ornamental design for a hand held massager, as shown and described.

**DESCRIPTION**

FIG. 1 is a top perspective view of a first embodiment of the hand held massager.  
 FIG. 2 is a side view of FIG. 1.  
 FIG. 3 is another side view thereof.  
 FIG. 4 is a front view FIG. 1.  
 FIG. 5 is a back view thereof.  
 FIG. 6 is a top view of FIG. 1.  
 FIG. 7 is a bottom view thereof.  
 FIG. 8 is a top perspective view of a second embodiment of the hand held massager.  
 FIG. 9 is a side view of FIG. 8.  
 FIG. 10 is another side view thereof.  
 FIG. 11 is a front view FIG. 8.  
 FIG. 12 is a back view thereof.  
 FIG. 13 is a top view of FIG. 8; and,  
 FIG. 14 is a bottom view thereof.

**1 Claim, 8 Drawing Sheets**



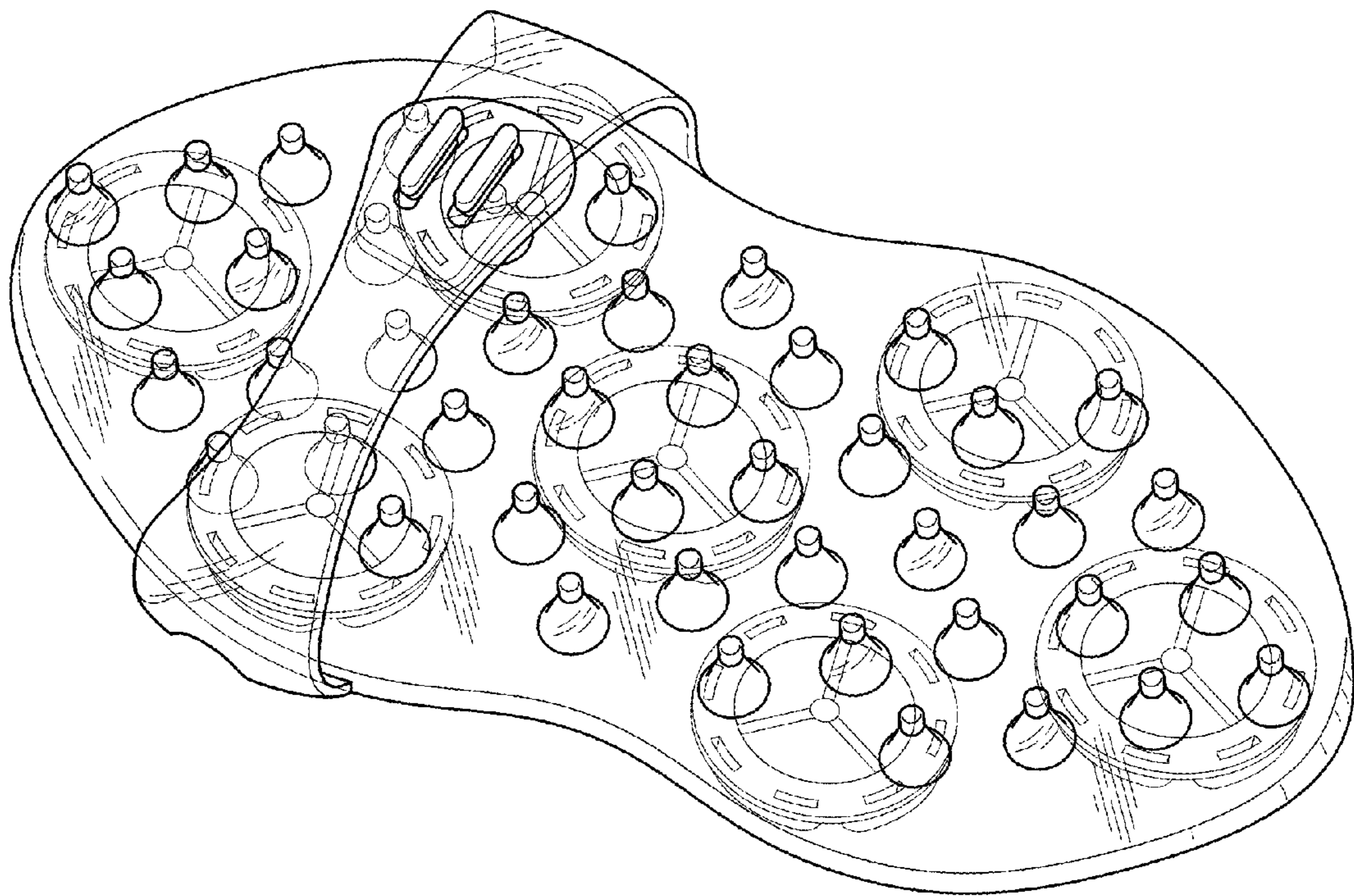


FIG. 1

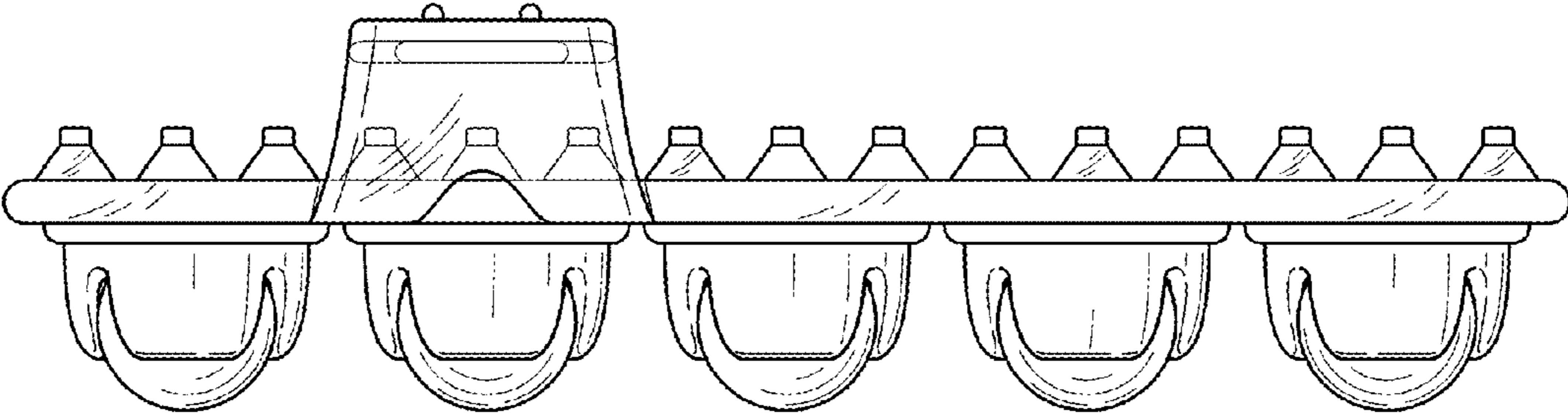


FIG. 2

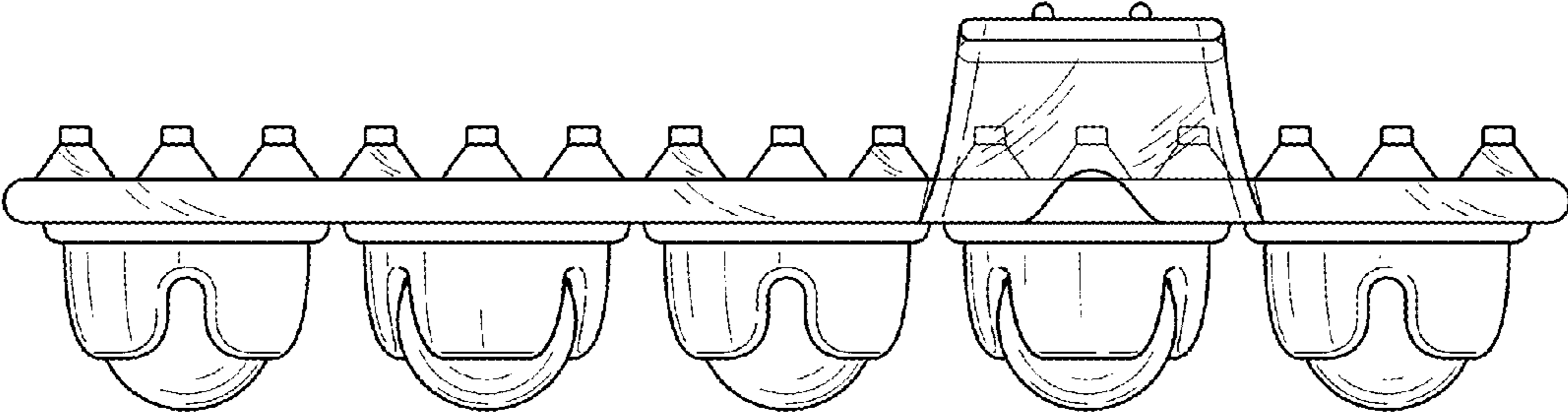


FIG. 3

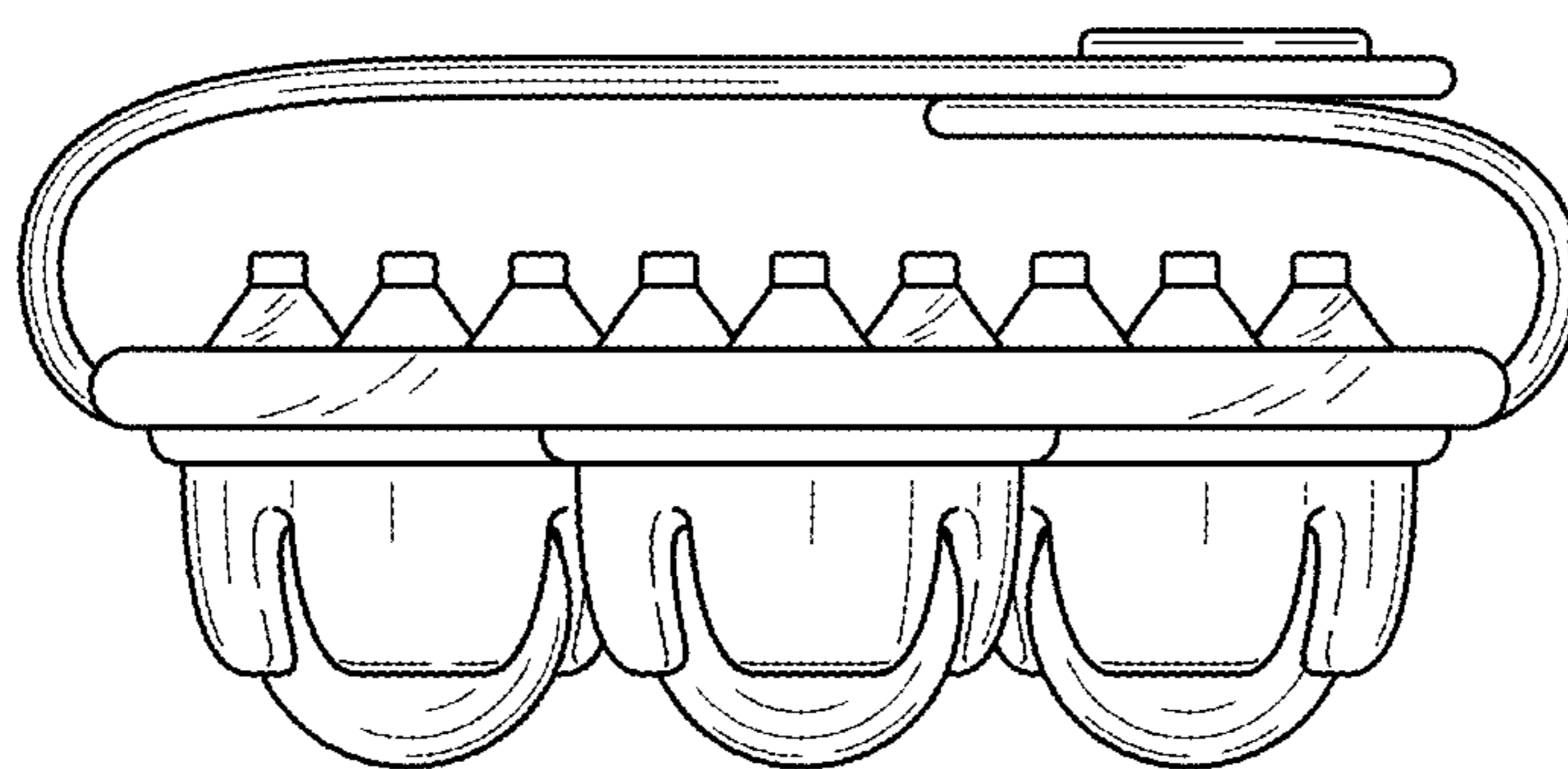


FIG. 4

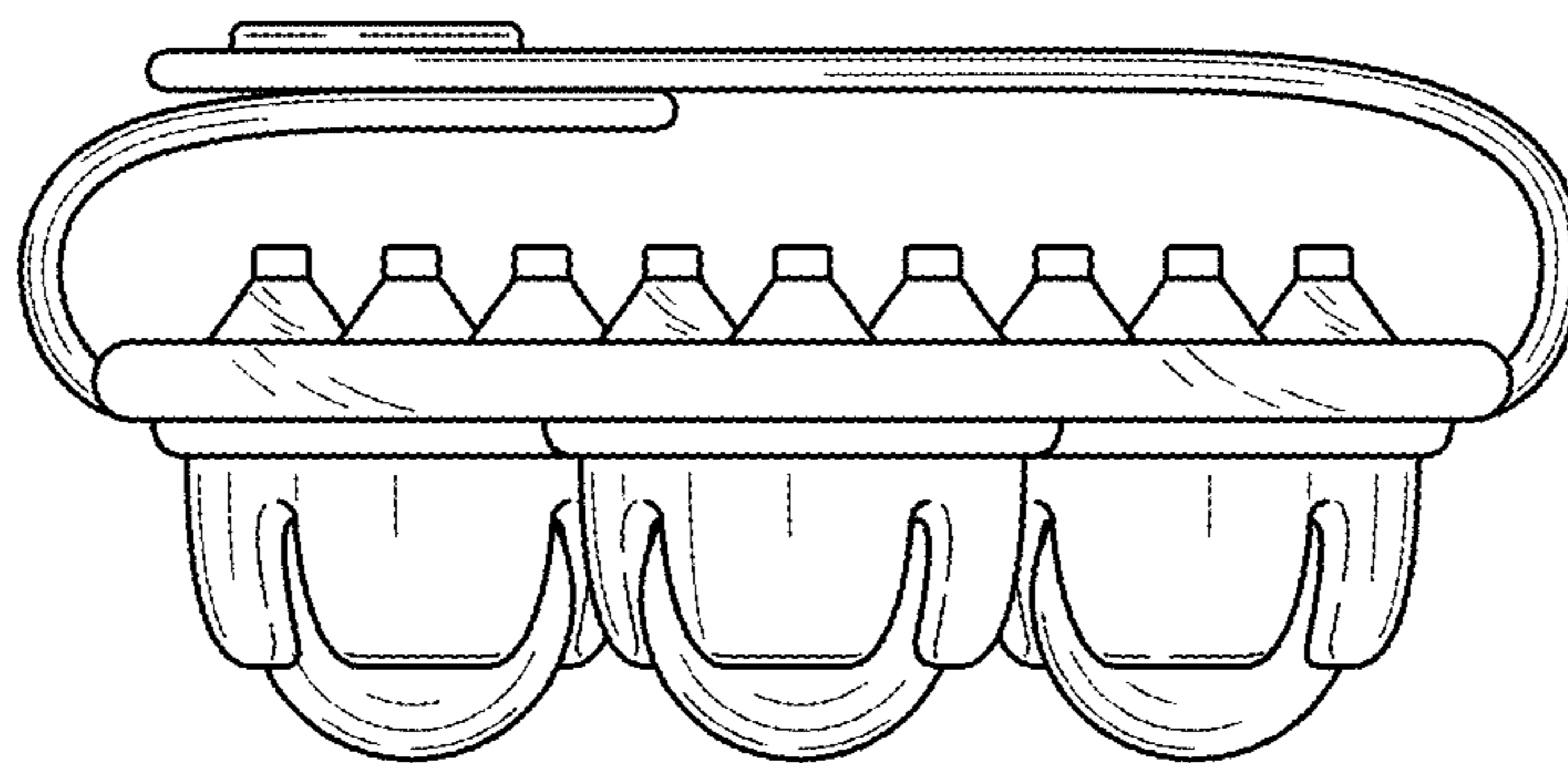


FIG. 5

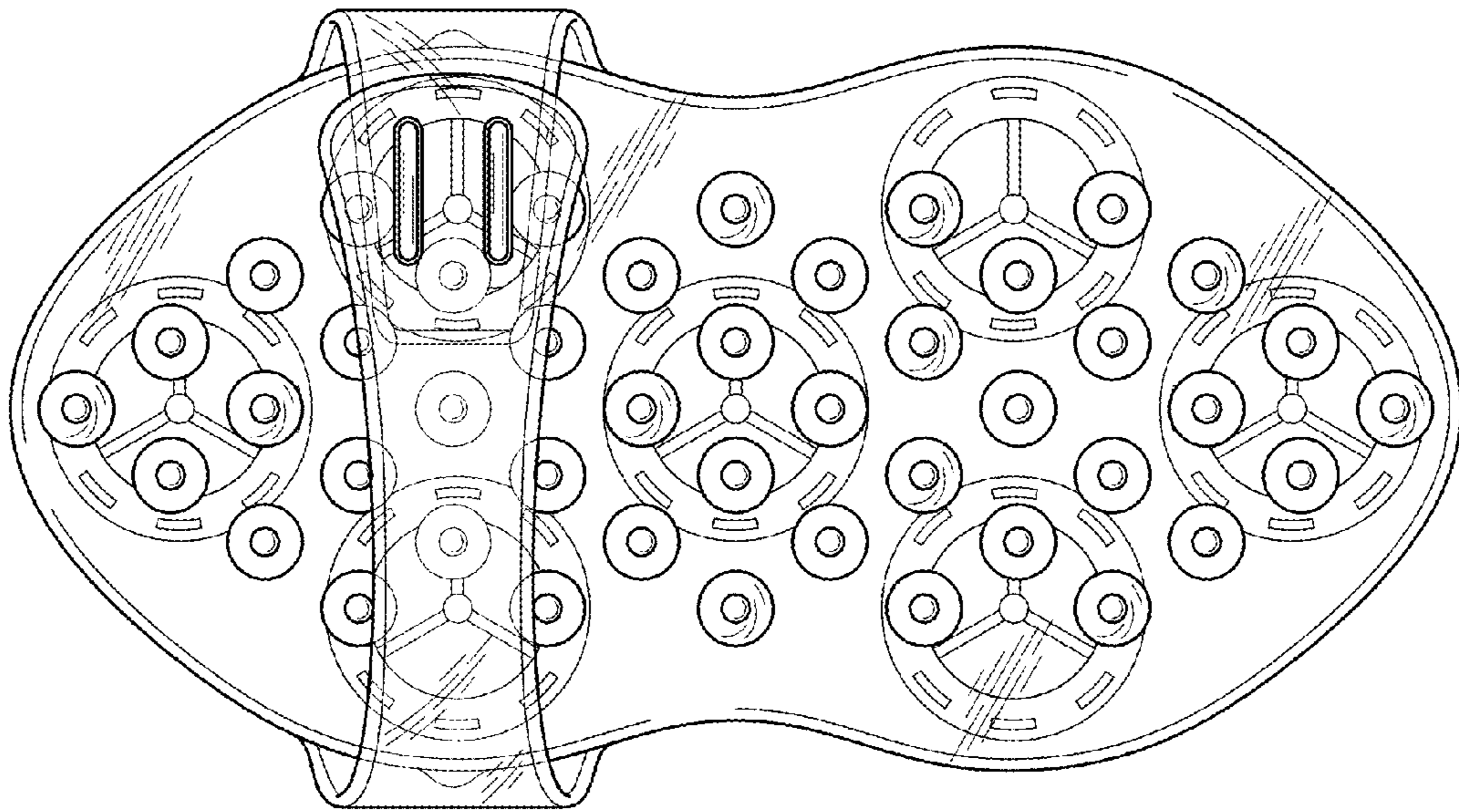


FIG. 6

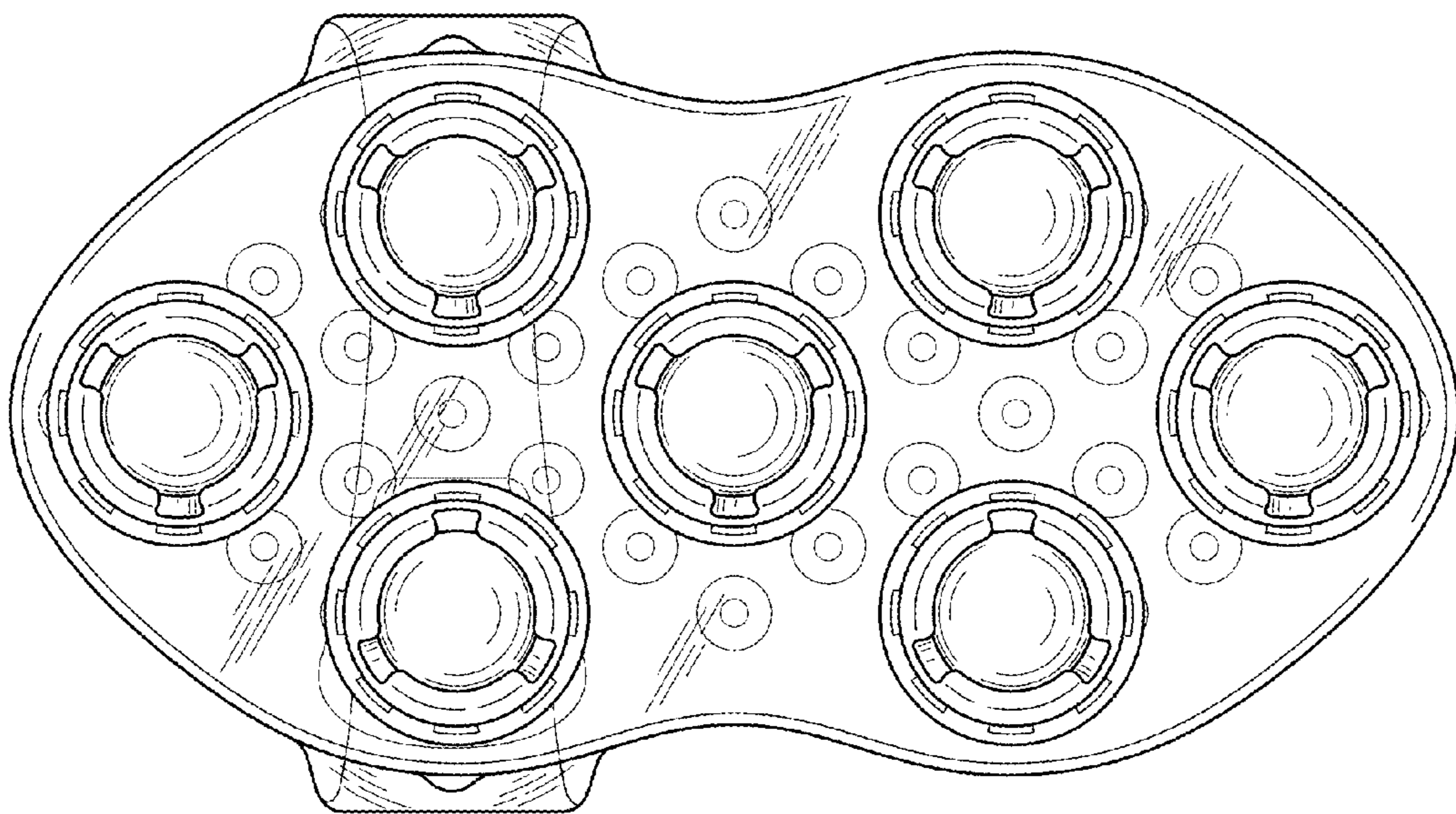


FIG. 7

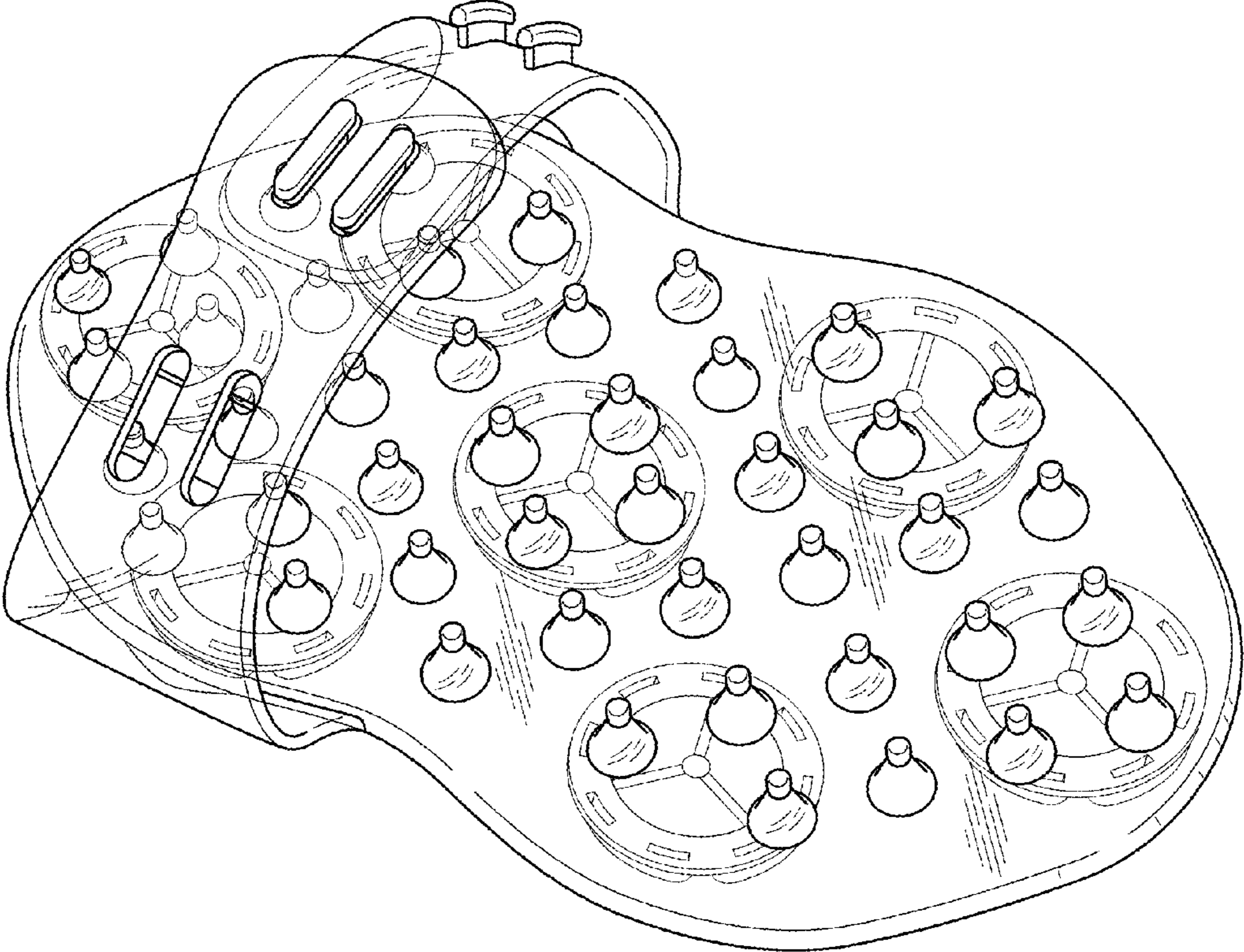


FIG. 8

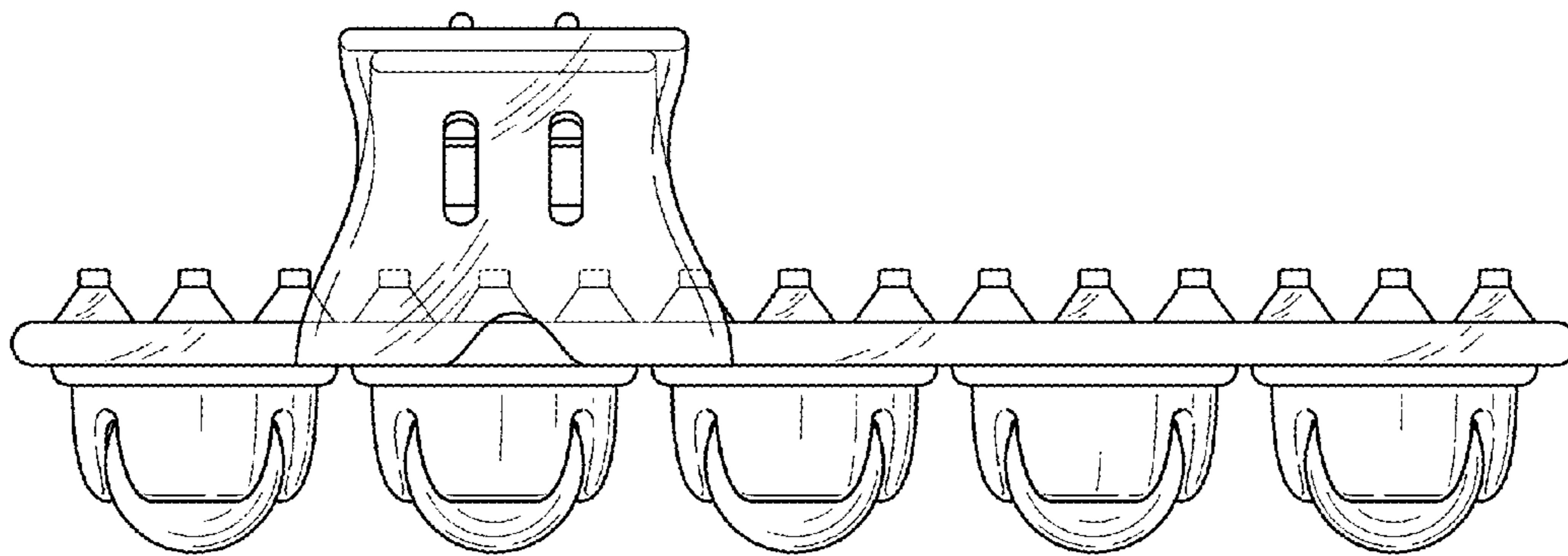


FIG. 9

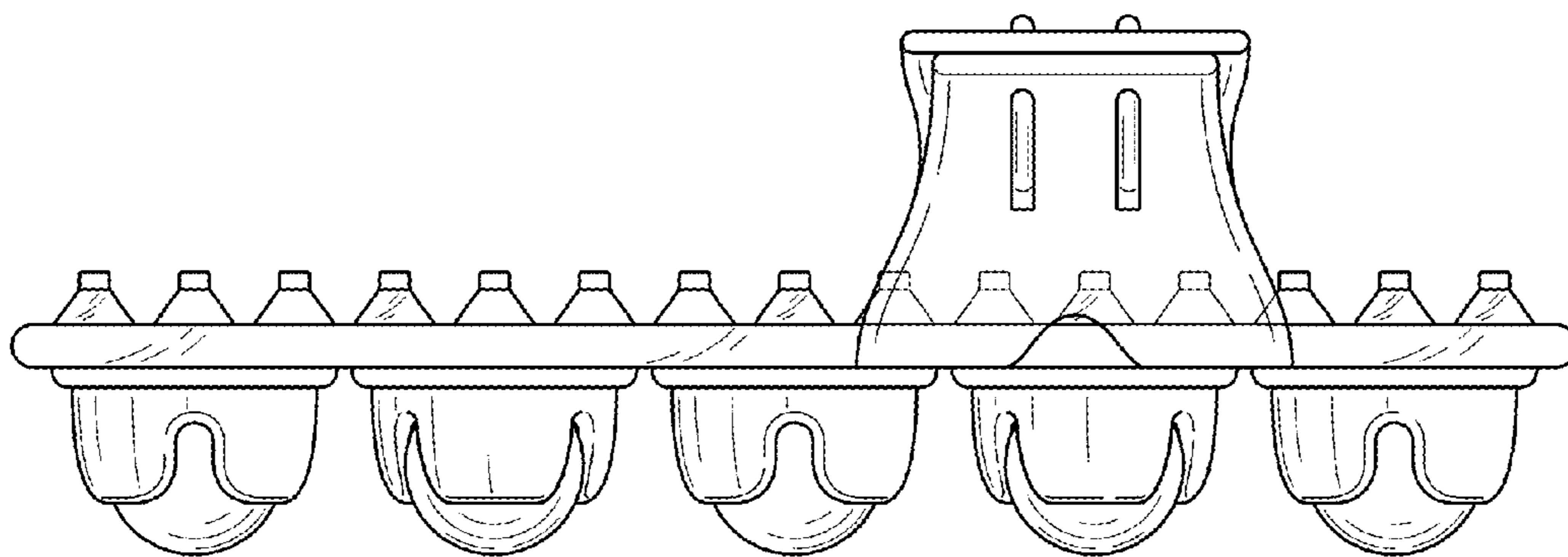


FIG. 10

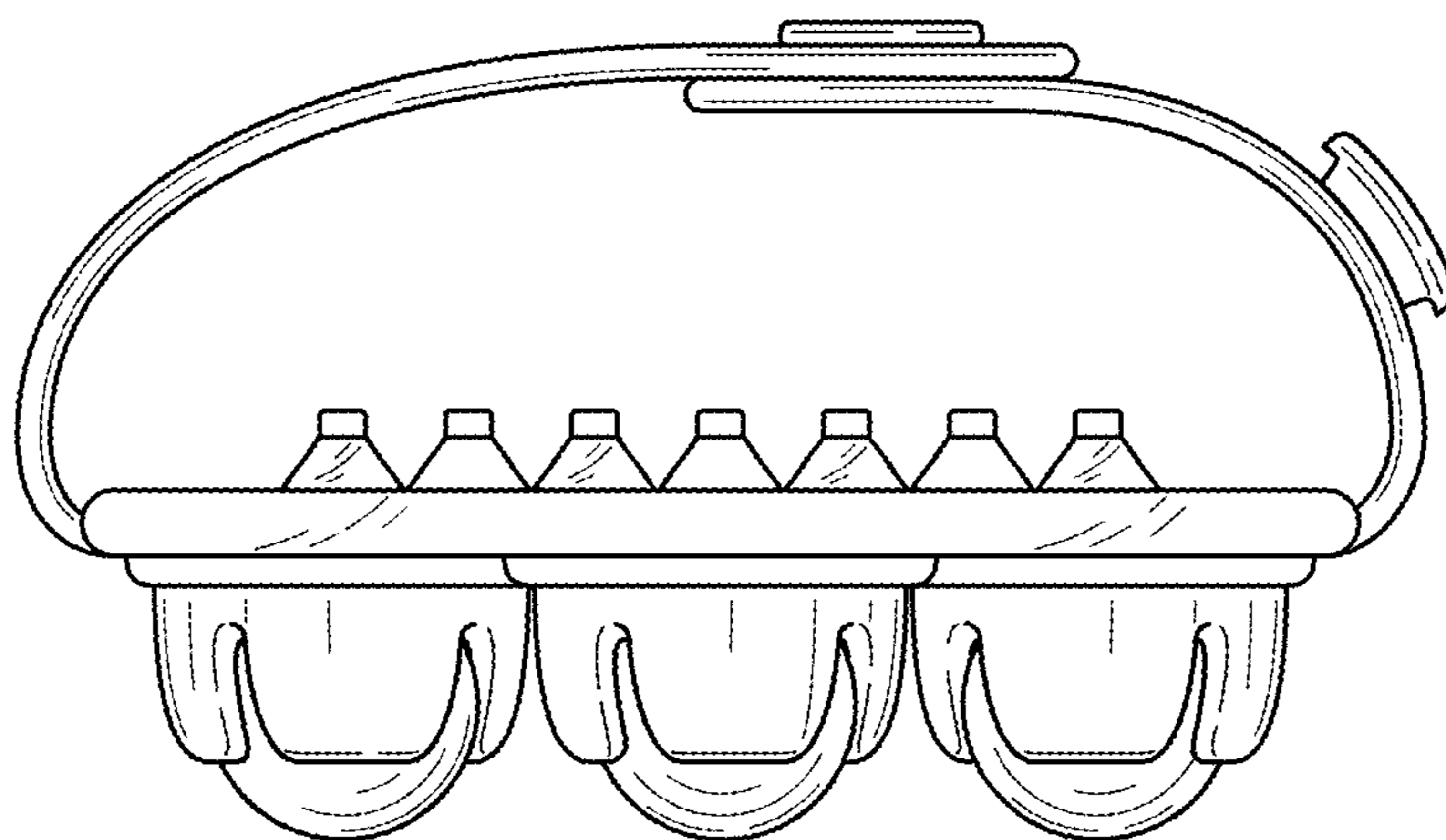


FIG. 11

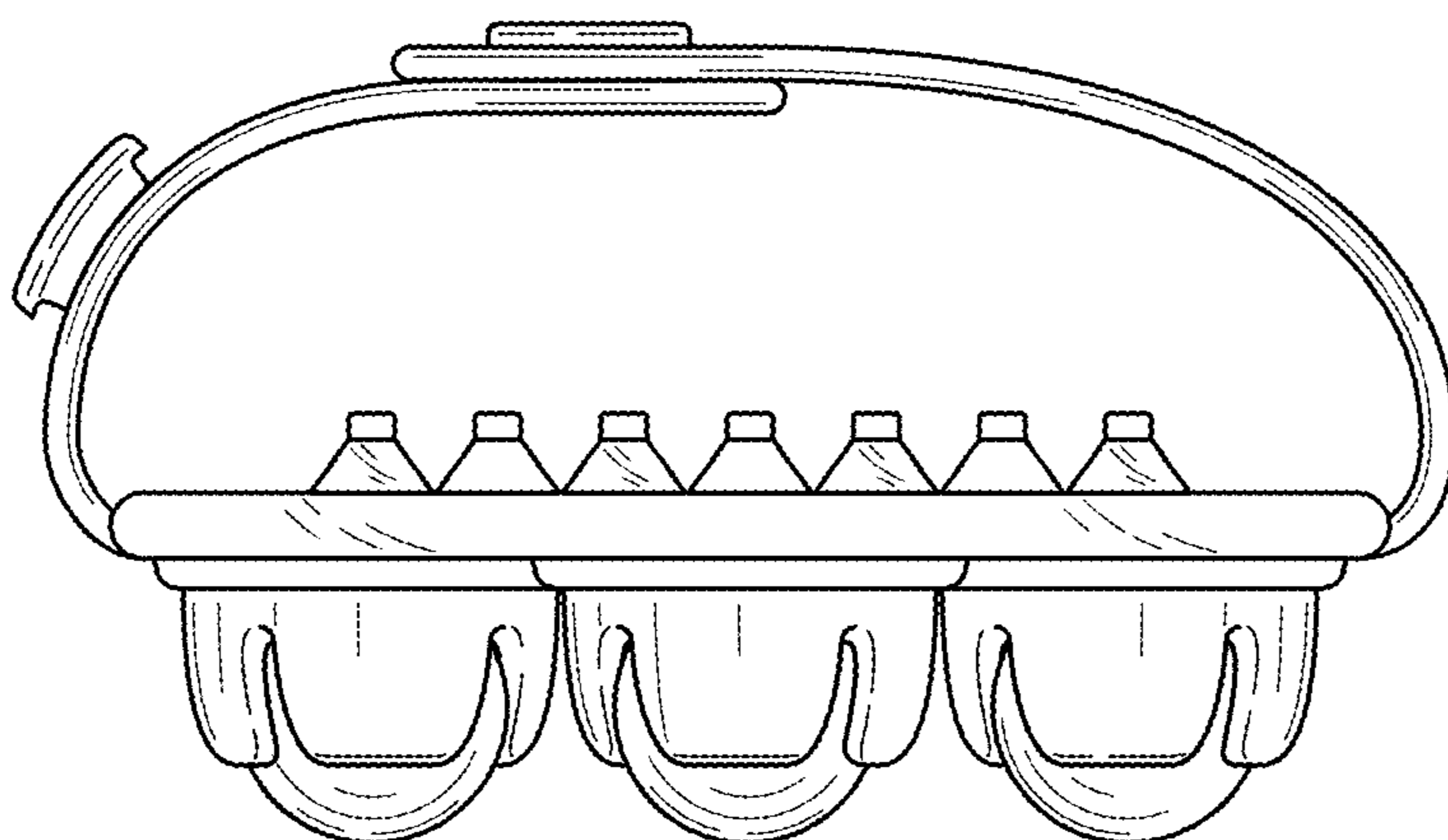


FIG. 12



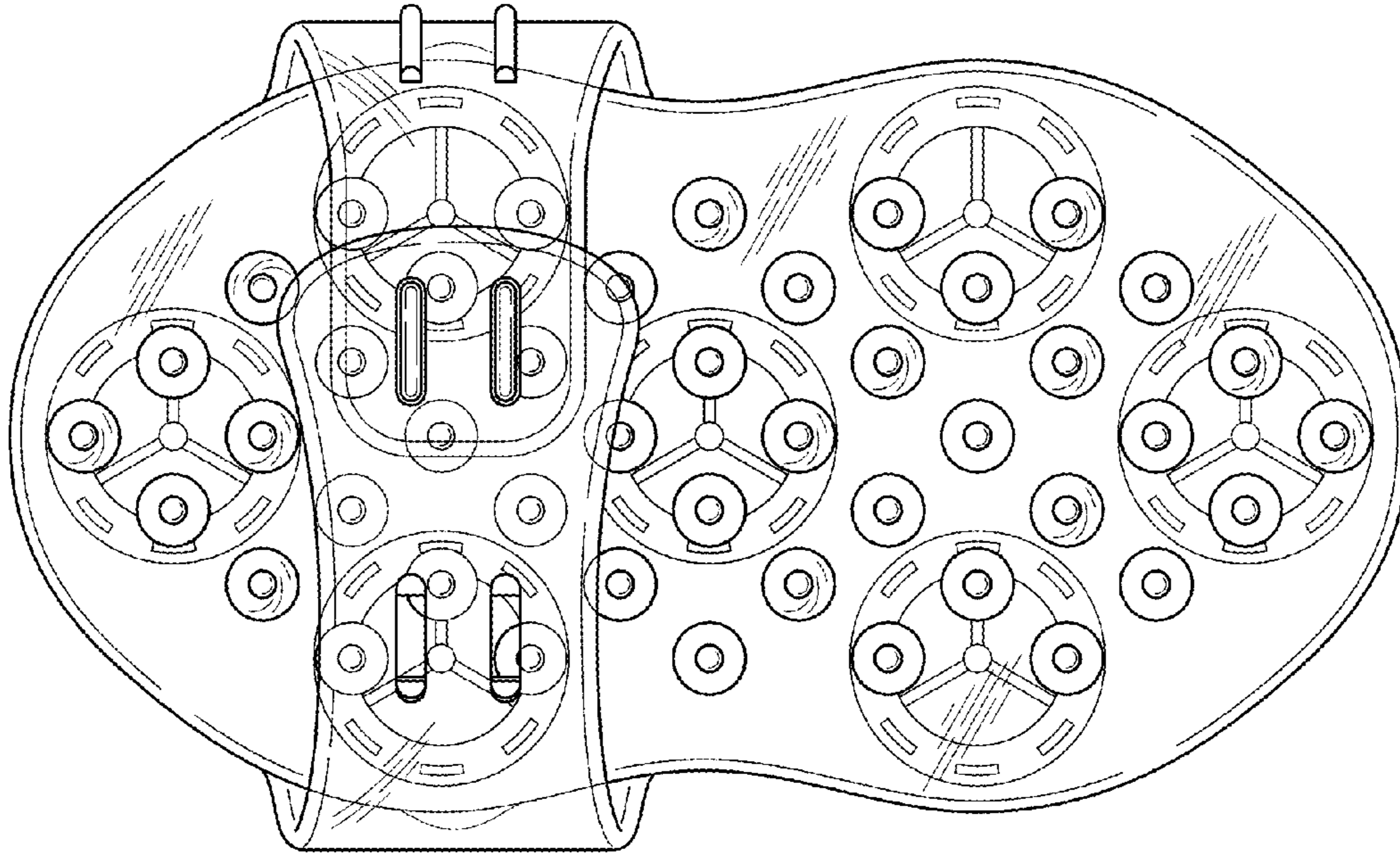


FIG. 13

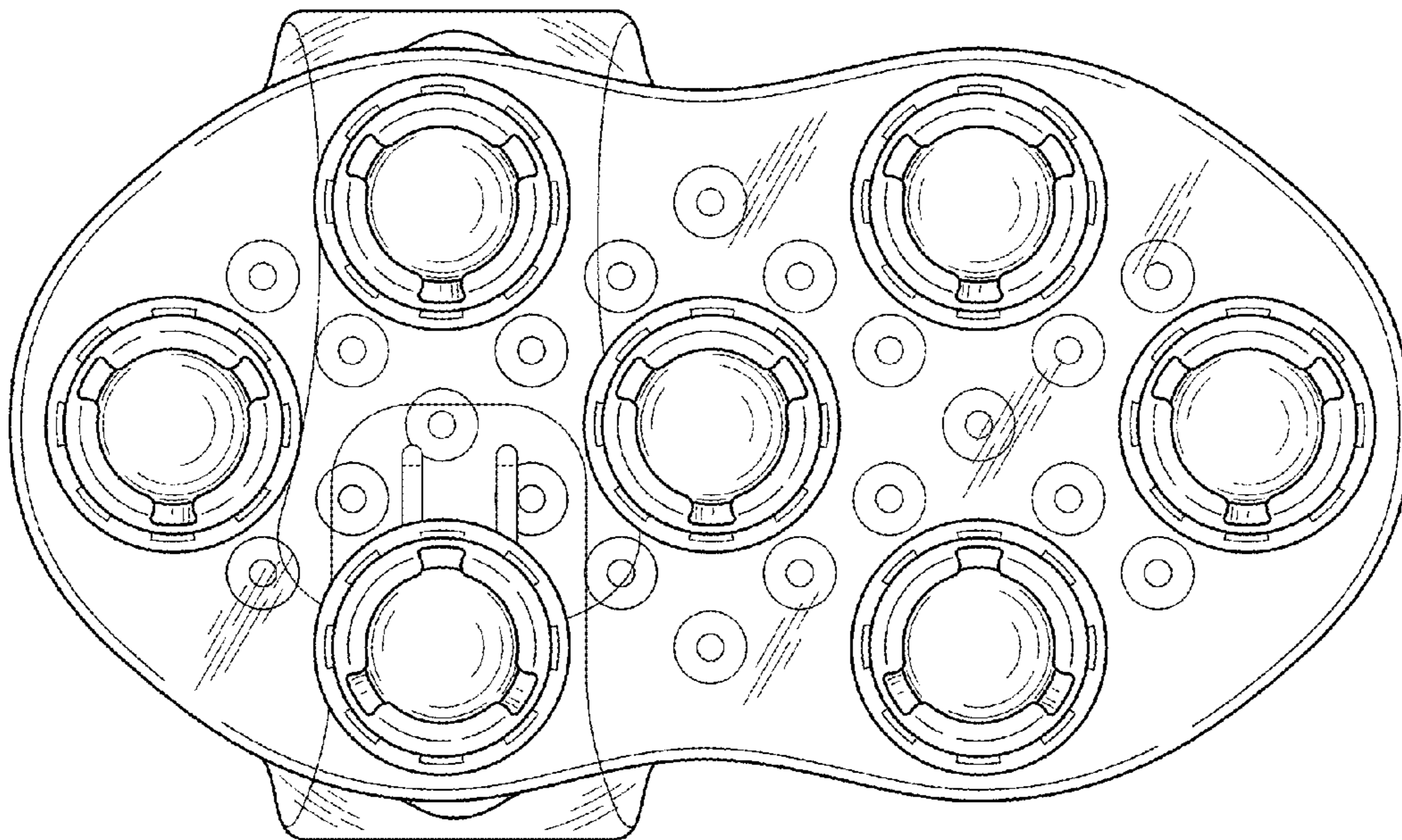


FIG. 14