



US00D698450S

(12) **United States Design Patent**
Kwon

(10) **Patent No.:** **US D698,450 S**
(45) **Date of Patent:** **** Jan. 28, 2014**

(54) **PORTABLE VIBRATORY STIMULATOR**

D629,528 S * 12/2010 Adkisson D24/215
D675,747 S * 2/2013 Luying D24/215
D676,142 S * 2/2013 Chen D24/215

(76) Inventor: **Moonsik Kwon**, Gumi-si (KR)

* cited by examiner

(**) Term: **14 Years**

Primary Examiner — Sandra Snapp

(21) Appl. No.: **29/430,232**

(74) *Attorney, Agent, or Firm* — Rabin & Berdo, P.C.

(22) Filed: **Aug. 22, 2012**

(51) **LOC (10) Cl.** **28-03**

(52) **U.S. Cl.**
USPC **D24/215**

(58) **Field of Classification Search**
USPC D24/200, 211, 212, 213, 214, 215;
601/114, 120, 121, 124, 125, 130, 131,
601/134, 135, 136, 137
See application file for complete search history.

(57) **CLAIM**

The ornamental design for a portable vibratory stimulator, as shown and described.

DESCRIPTION

FIG. 1 is a perspective view of a portable vibratory stimulator showing my new design;
FIG. 2 is a front elevational view thereof with a rear elevational view being a mirror image thereof;
FIG. 3 is a left side elevational view thereof;
FIG. 4 is a right side elevational view thereof;
FIG. 5 is a top view thereof; and,
FIG. 6 is a bottom view thereof.

(56) **References Cited**

U.S. PATENT DOCUMENTS

3,234,933 A * 2/1966 Martin 601/41
D400,262 S * 10/1998 Hirakawa et al. D24/215
6,389,319 B1 * 5/2002 Lee 607/76

1 Claim, 4 Drawing Sheets

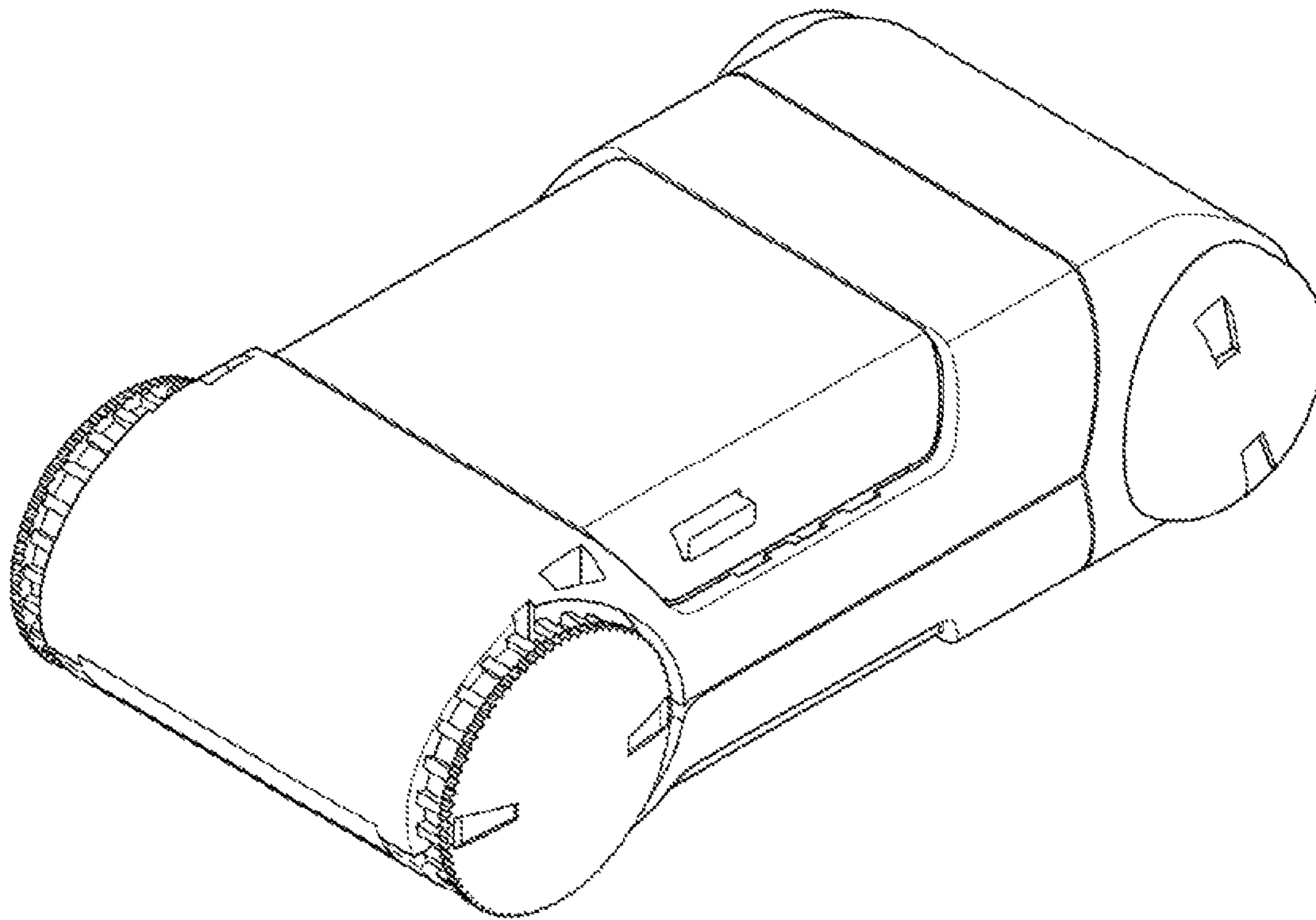


FIG. 1

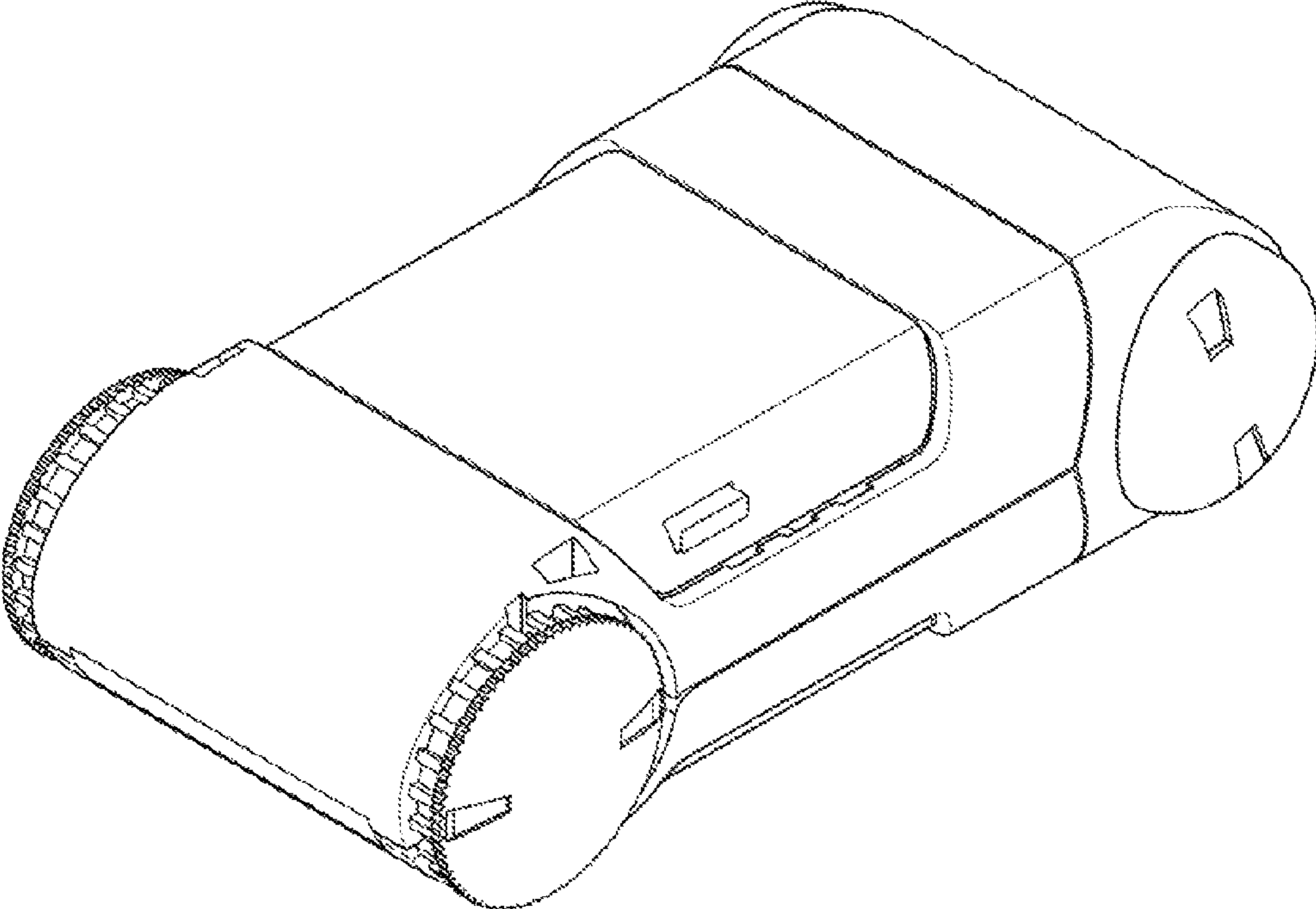


FIG. 2

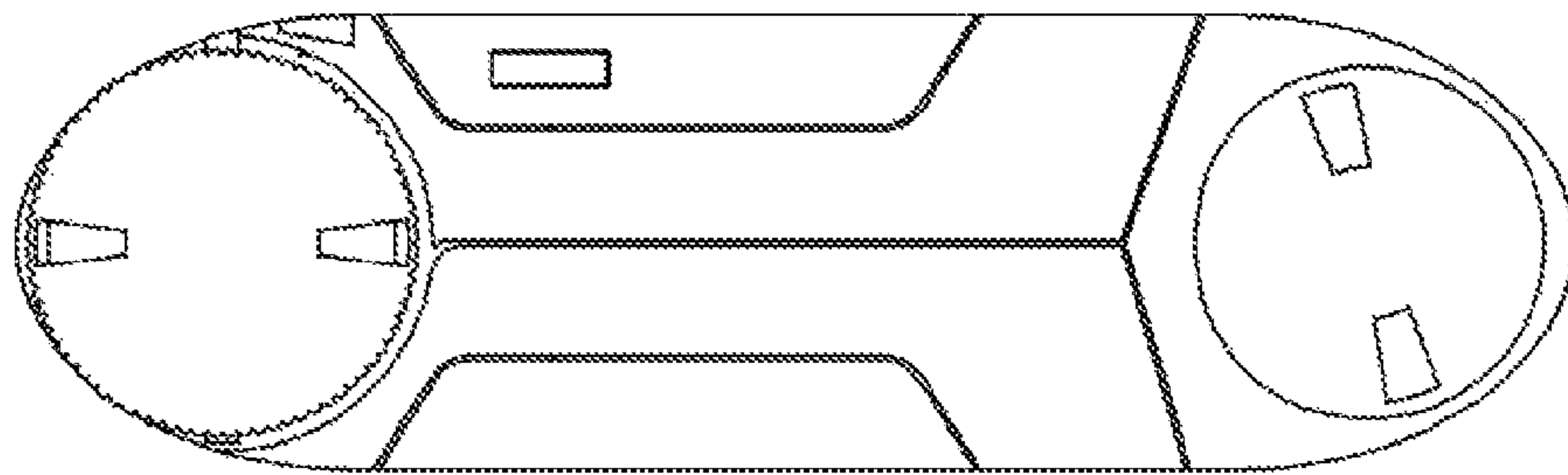


FIG. 3

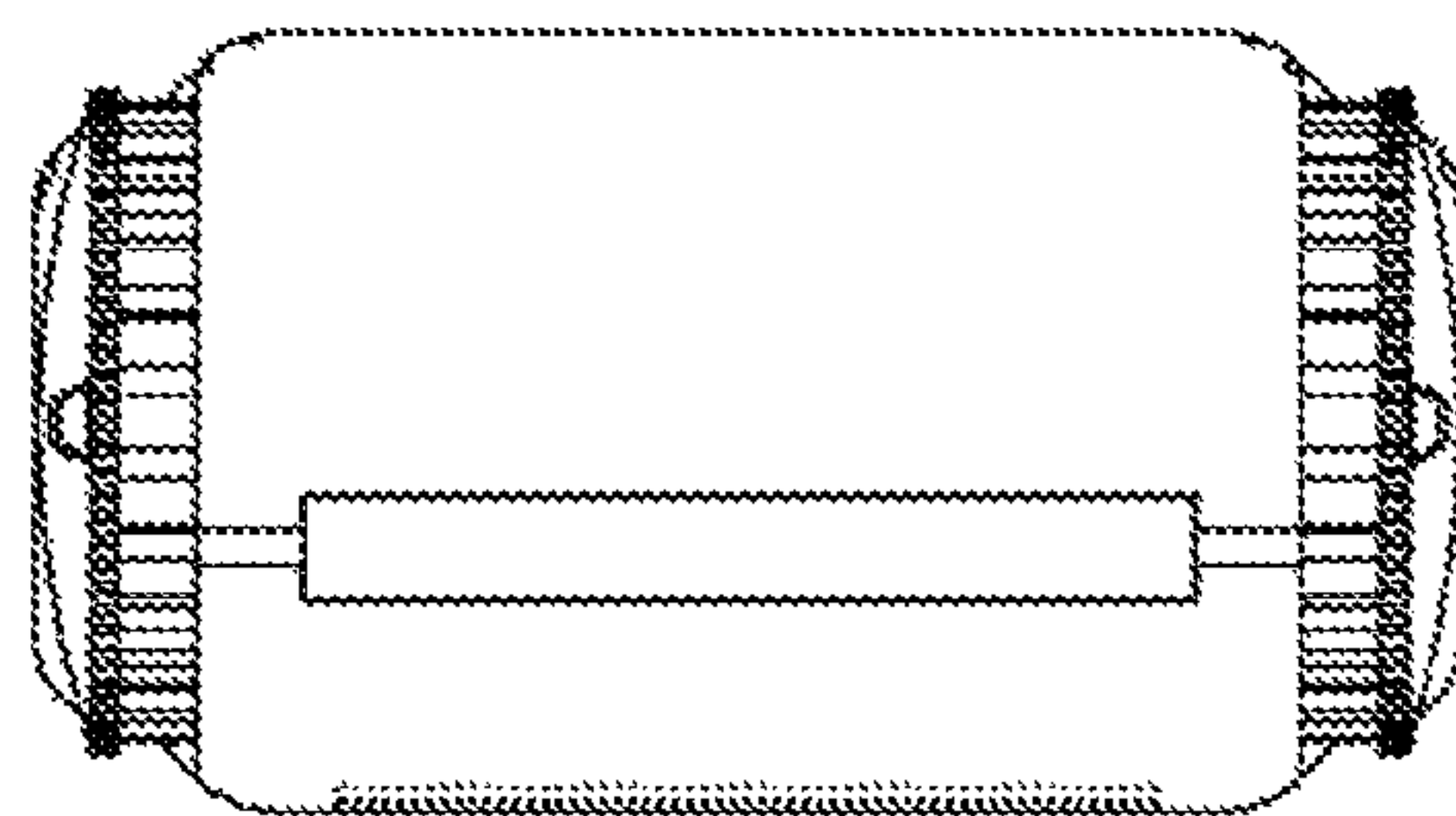


FIG. 4

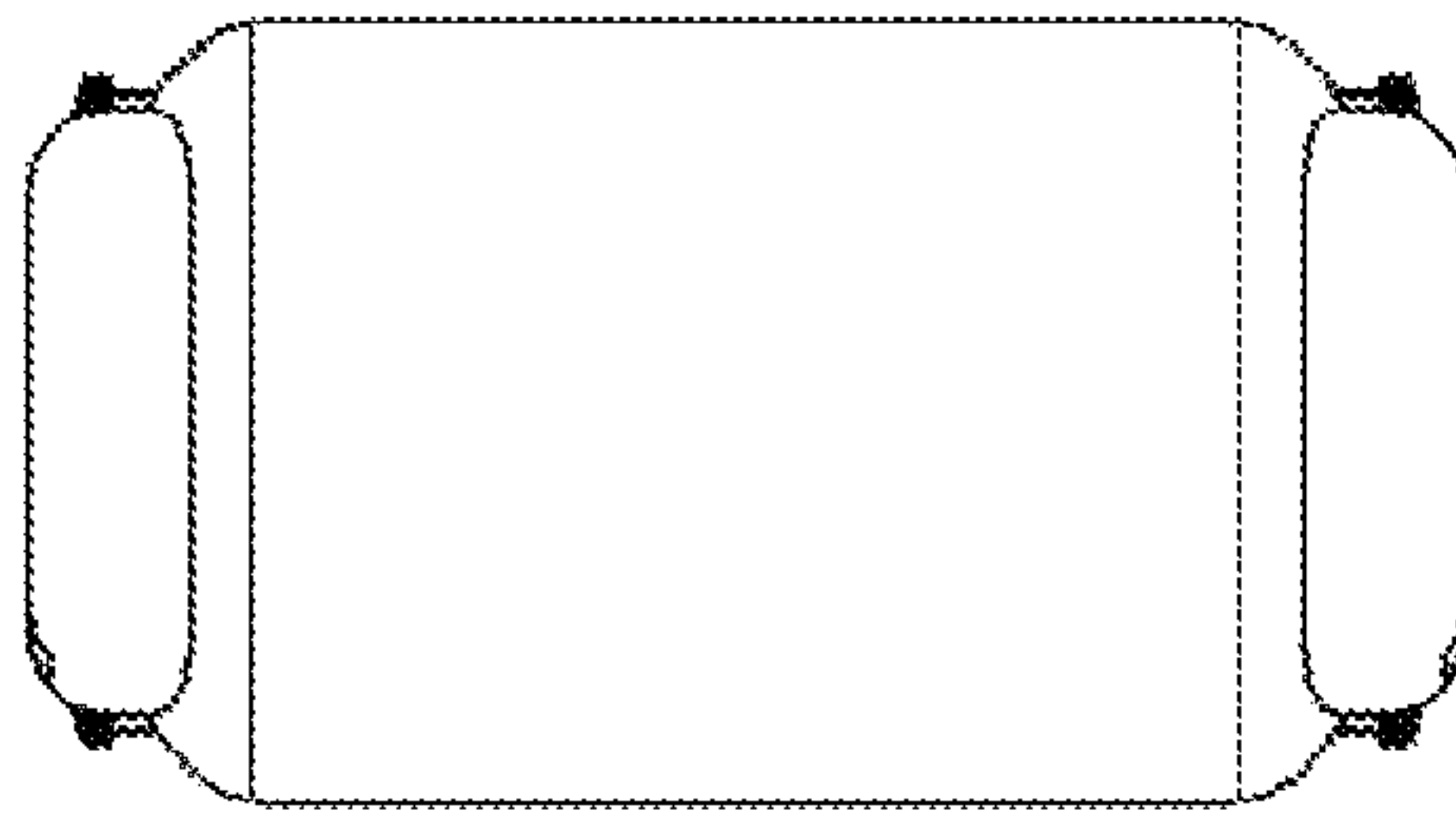


FIG. 5

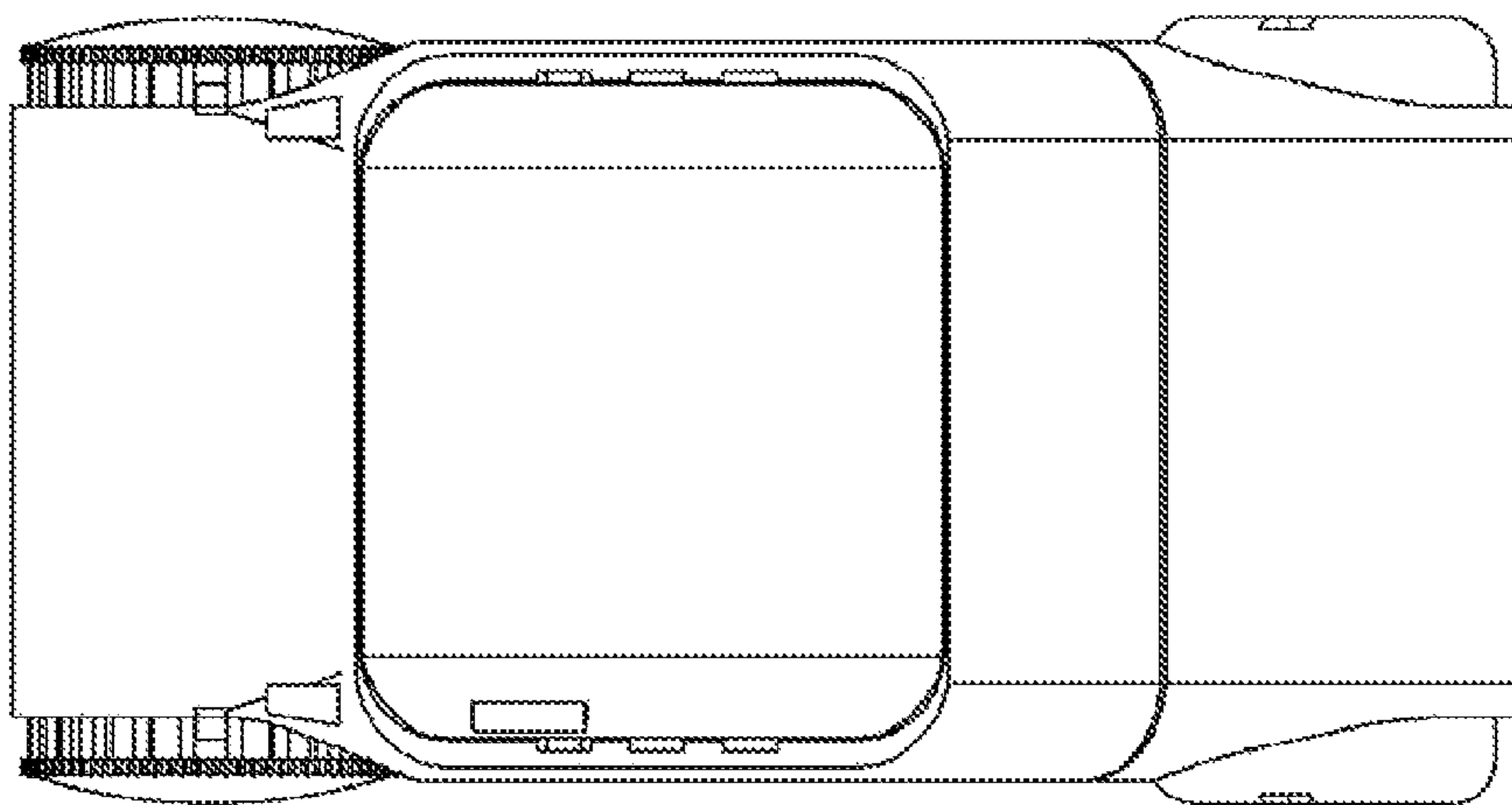


FIG. 6

