



US00D698449S

(12) **United States Design Patent**
Brewer et al.

(10) **Patent No.:** **US D698,449 S**
(45) **Date of Patent:** **** Jan. 28, 2014**

(54) **EXFOLIATING DISC HEAD**
(71) Applicant: **L'Oreal USA Creative, Inc.**, New York, NY (US)
(72) Inventors: **Gerald Keith Brewer**, Redmond, WA (US); **Ricky Wai Kit Chan**, Bellevue, WA (US); **Aaron David Poole**, Federal Way, WA (US)

7,786,626 B2 8/2010 Reishus
D623,801 S 9/2010 Curran
8,066,013 B2 11/2011 Tes
D675,333 S * 1/2013 Luzon et al. D24/215
D675,334 S * 1/2013 Luzon et al. D24/215
D686,742 S * 7/2013 Luzon et al. D24/215
2006/0137703 A1 6/2006 Kling
2006/0178676 A1 8/2006 Anderson
2007/0221238 A1 9/2007 Tran

* cited by examiner

(73) Assignee: **L'Oreal USA Creative, Inc.**, New York, NY (US)

Primary Examiner — Sandra Snapp
(74) *Attorney, Agent, or Firm* — Christensen O'Connor Johnson Kindness PLLC

(**) Term: **14 Years**

(57) **CLAIM**

(21) Appl. No.: **29/452,218**

The ornamental design for an exfoliating disc head, as shown and described.

(22) Filed: **Apr. 12, 2013**

DESCRIPTION

(51) **LOC (10) Cl.** **28-03**

(52) **U.S. Cl.**
USPC **D24/211**

(58) **Field of Classification Search**
USPC D24/200, 211–215, 141; 601/27, 28, 601/33, 40, 46, 47, 48, 63, 80, 99, 104, 112, 601/113, 114, 119, 122, 125, 129, 134, 135, 601/137, DIG. 12, DIG. 13, DIG. 14, 601/DIG. 15, DIG. 16, DIG. 17
See application file for complete search history.

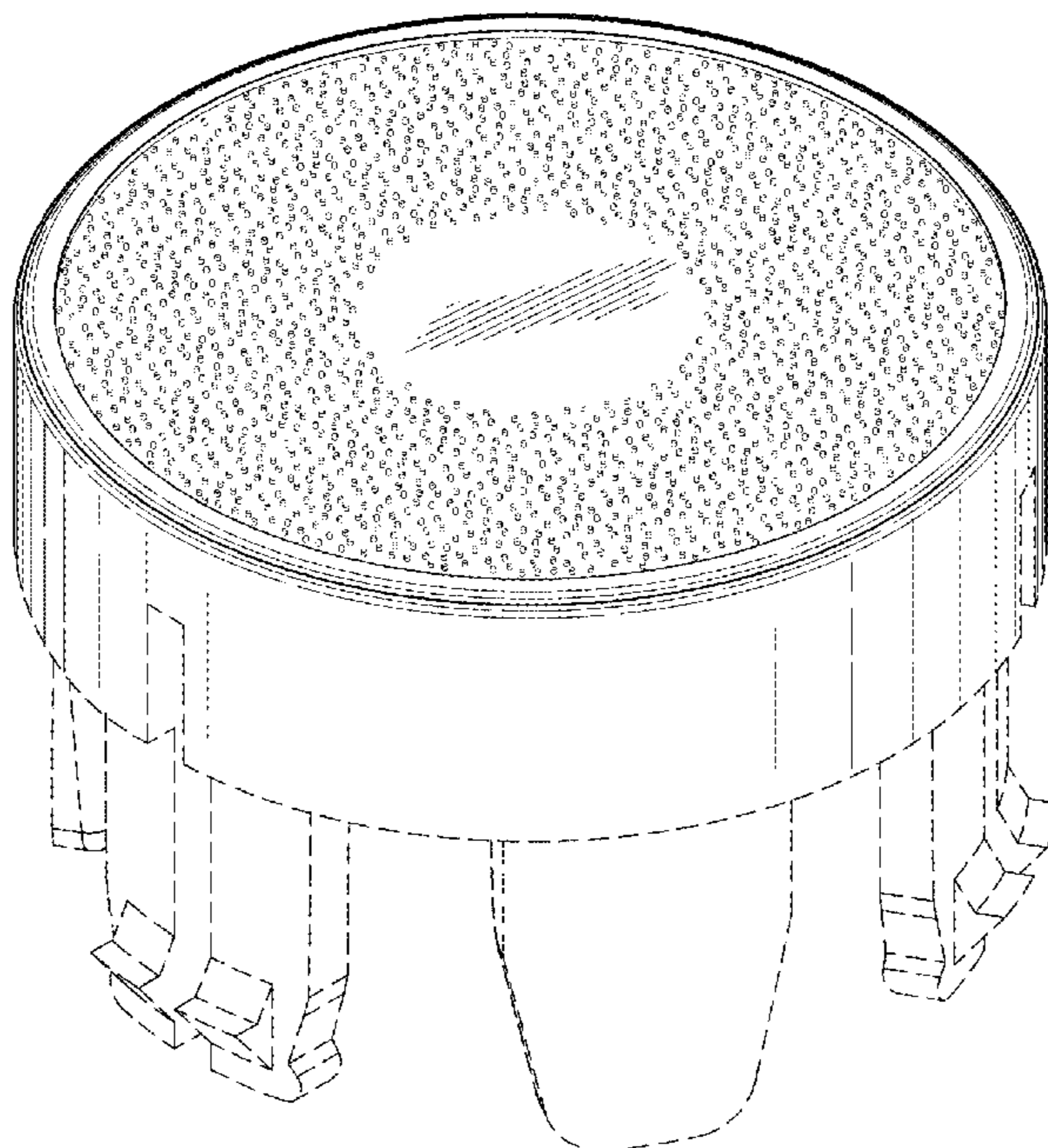
FIG. 1 is a perspective view of an exfoliating disc head suitable in accordance with our new design, the exfoliating disc head suitable for use with a personal care appliance; FIG. 2 is a top view of the exfoliating disc head of FIG. 1; FIG. 3 is a front view of the exfoliating disc head of FIG. 1; FIG. 4 is a rear view of the exfoliating disc head of FIG. 1; FIG. 5 is a left side view of the exfoliating disc head of FIG. 1; and, FIG. 6 is a right side view of the exfoliating disc head of FIG. 1.
The broken lines immediately adjacent the shaded areas represent the bounds of the claimed design while all other broken lines are directed to environment and are for illustrative purposes only; the broken lines form no part of the claimed design.

(56) **References Cited**

U.S. PATENT DOCUMENTS

D524,441 S 7/2006 Anderson
D559,394 S * 1/2008 Ji D24/214
7,386,906 B2 6/2008 Roth
7,581,545 B1 9/2009 Moldawski

1 Claim, 4 Drawing Sheets



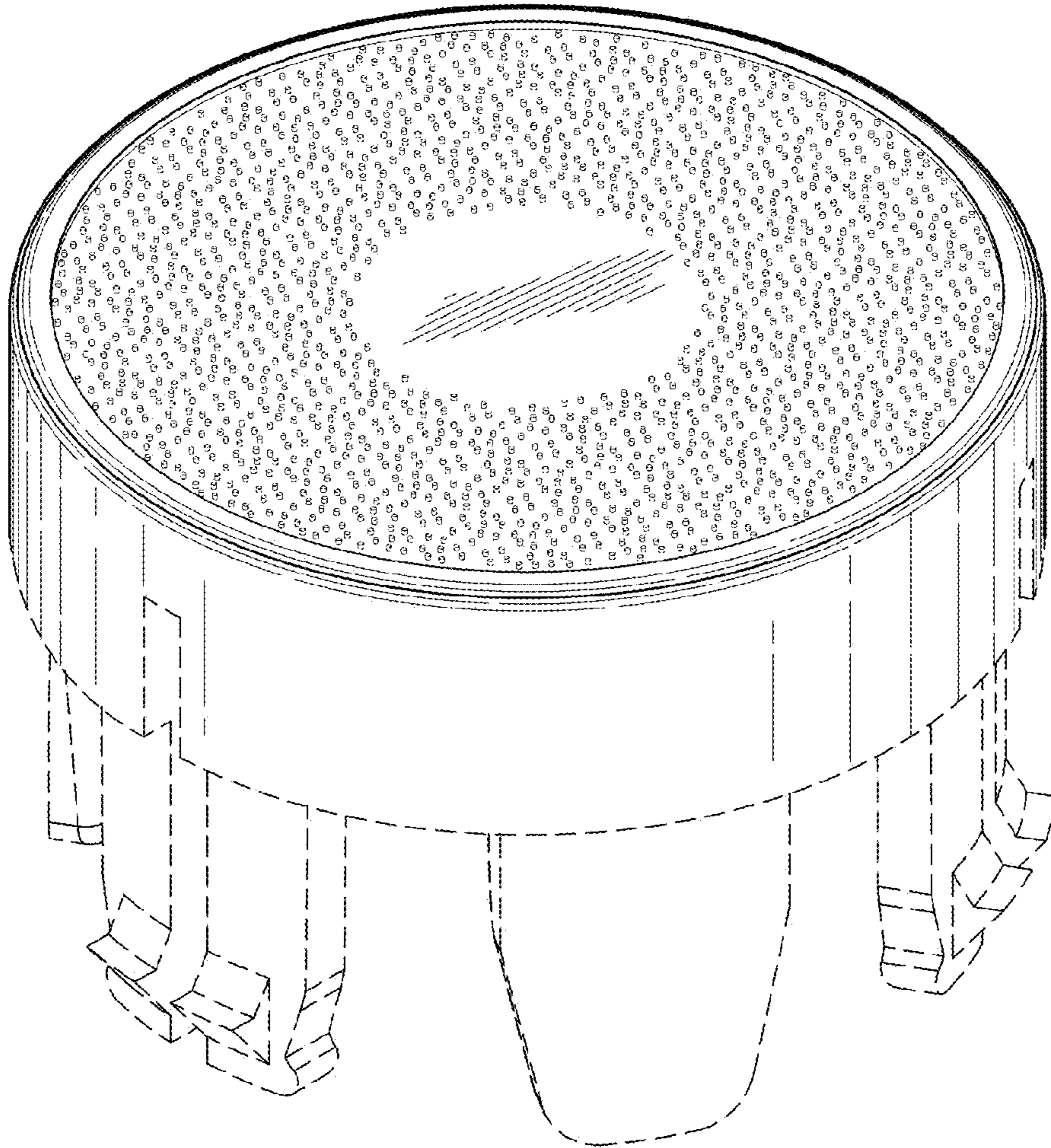


Fig. 1.

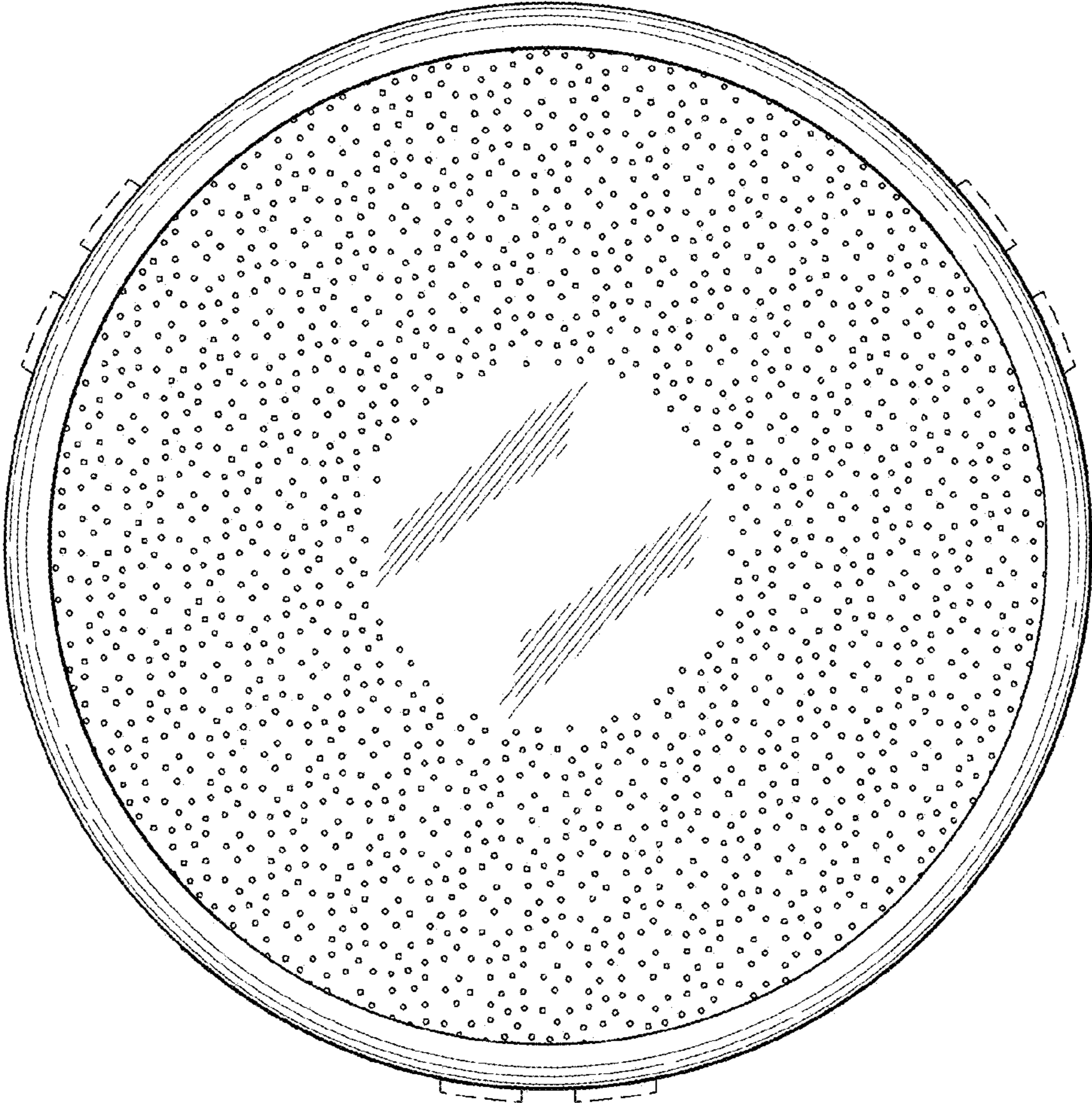


Fig. 2.

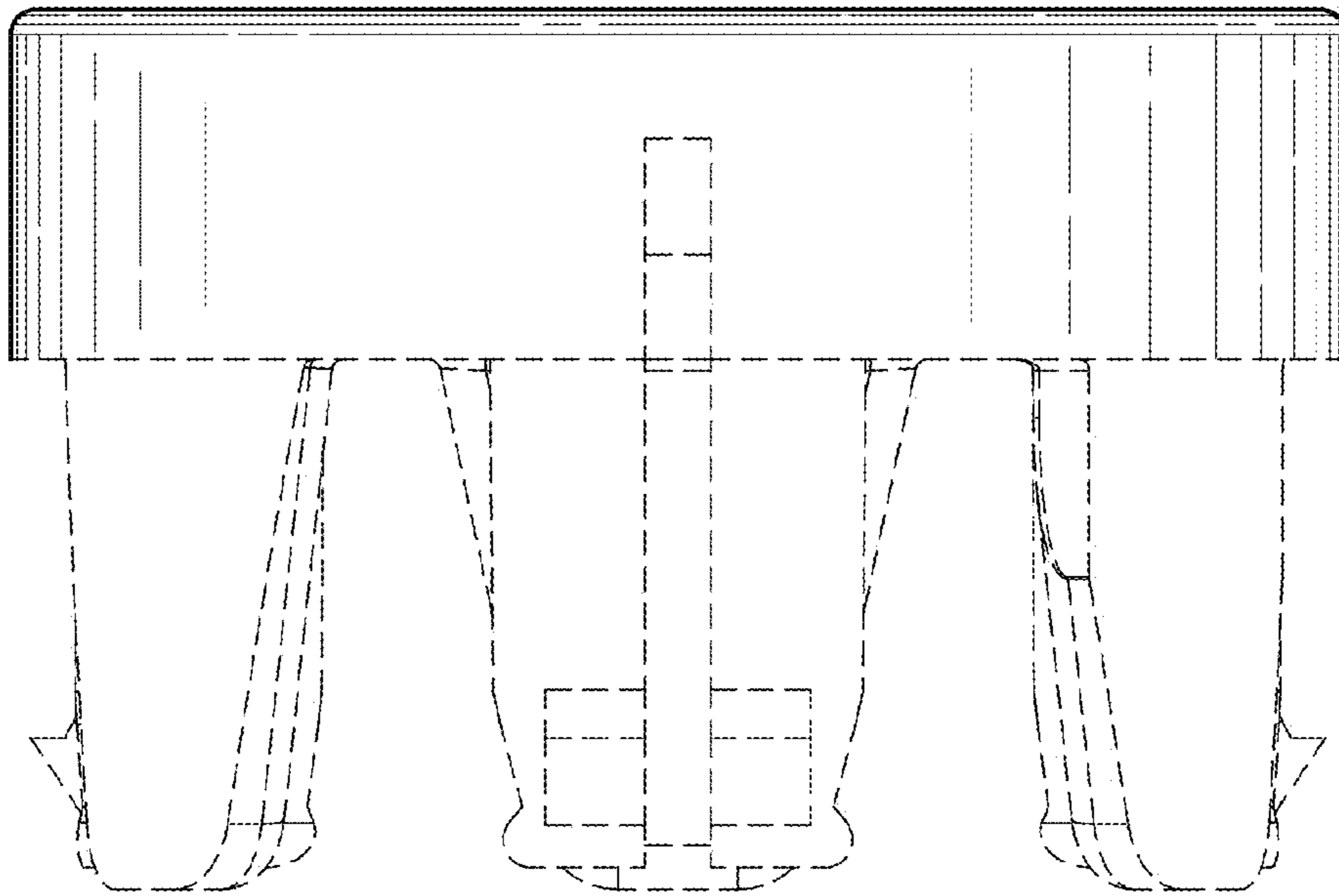


Fig. 3.

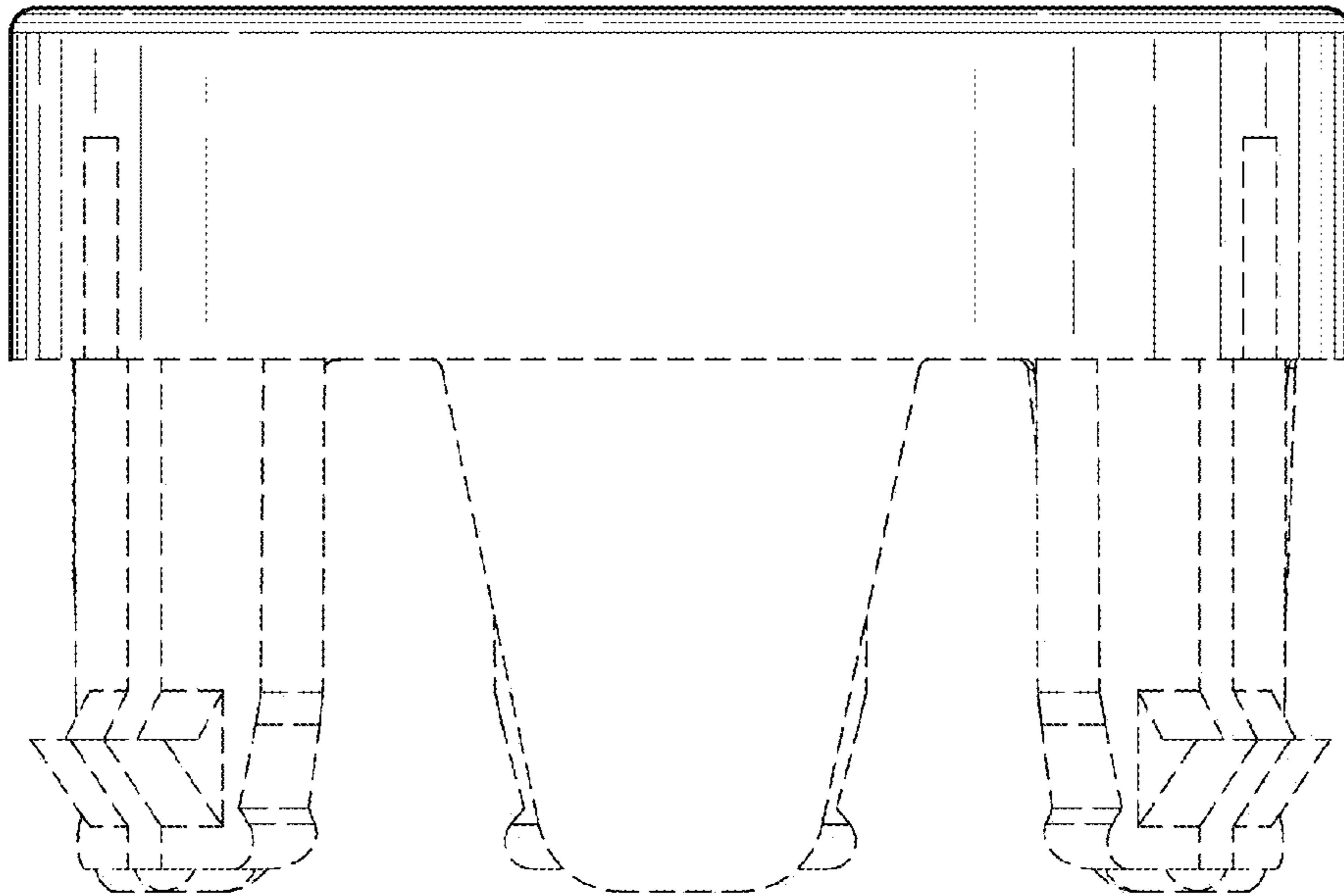


Fig. 4.

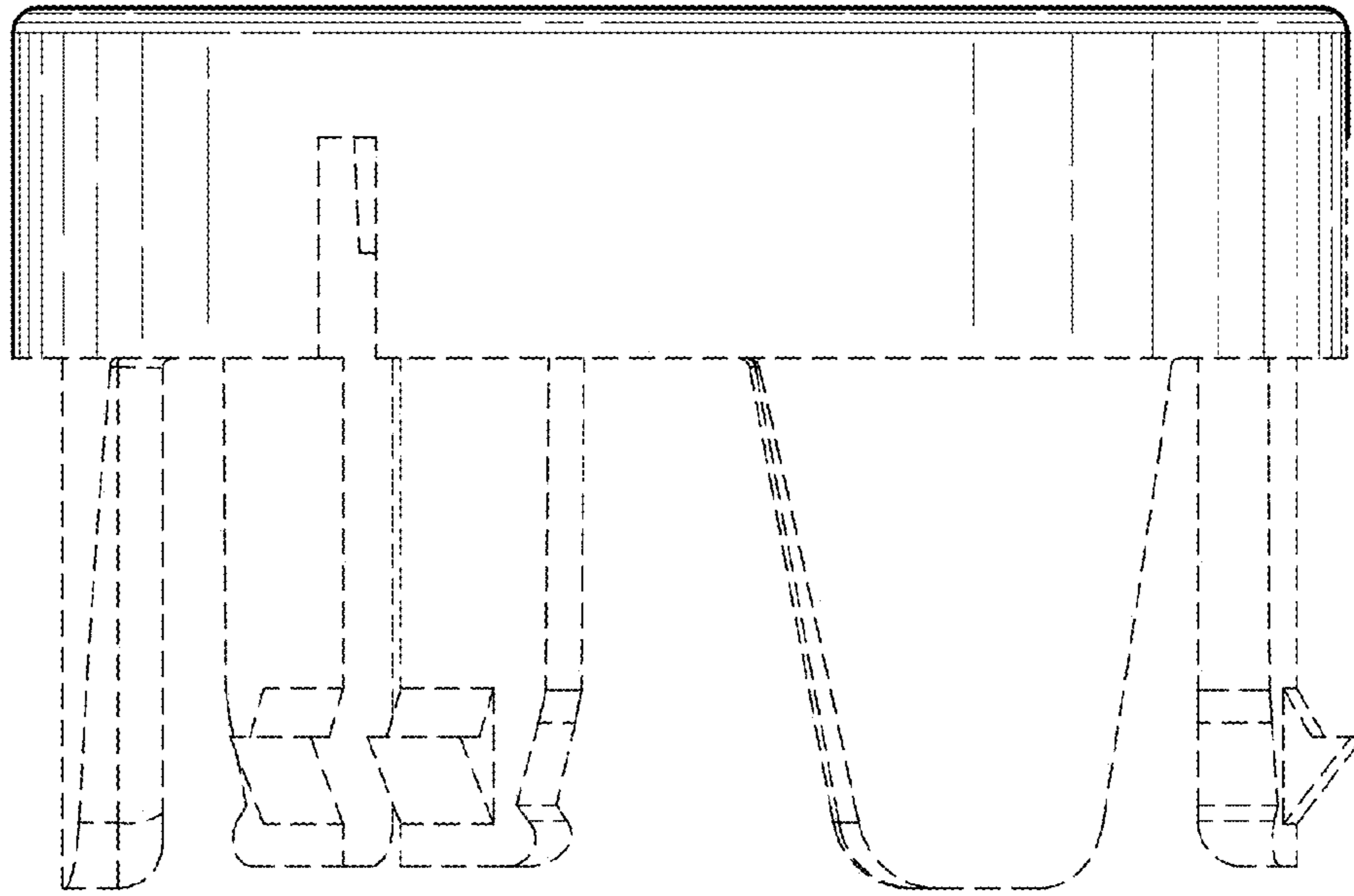


Fig. 5.

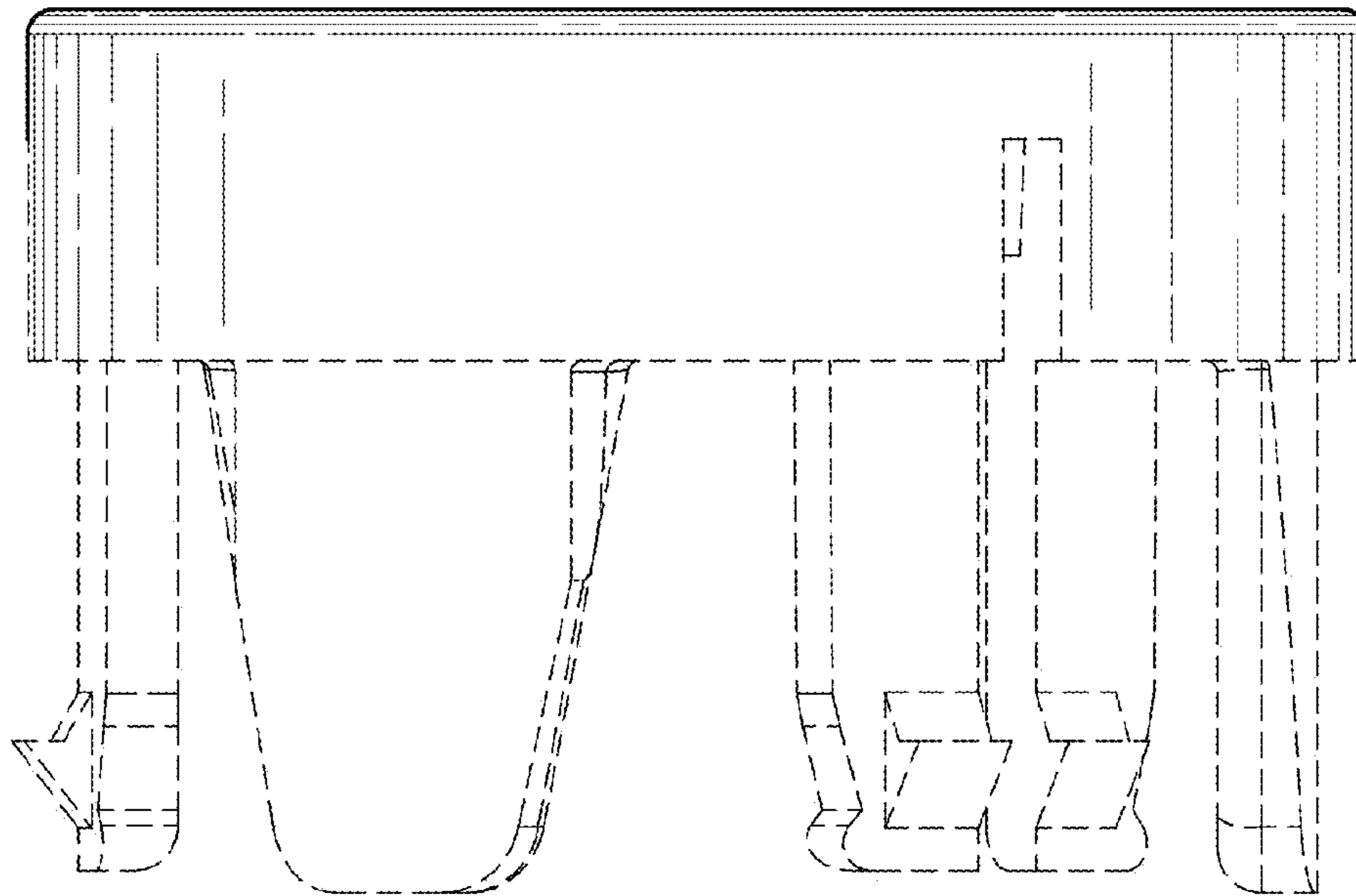


Fig. 6.