



US00D698447S

(12) **United States Design Patent**
Marzynski

(10) **Patent No.:** **US D698,447 S**

(45) **Date of Patent:** **** Jan. 28, 2014**

(54) **BIOMEDICAL MULTIFUNCTION TESTER**

(75) Inventor: **Matthew Marzynski**, Seattle, WA (US)

(73) Assignee: **Fluke Corporation**, Everett, WA (US)

(**) Term: **14 Years**

(21) Appl. No.: **29/406,934**

(22) Filed: **Nov. 21, 2011**

(51) **LOC (10) Cl.** **24-02**

(52) **U.S. Cl.**
USPC **D24/186**

(58) **Field of Classification Search**
USPC D24/107, 111, 144, 164, 170, 186, 216,
D24/231–232; D10/50, 75, 78, 81; 600/132,
600/300–301, 481, 178, 180, 182;
128/897–898; 324/158 F, 115, 151,
324/156, 110–114
See application file for complete search history.

D573,496 S *	7/2008	Wakamatsu et al.	D10/81
D582,044 S *	12/2008	Hacker et al.	D24/170
D584,812 S *	1/2009	Ries	D24/111
D597,216 S *	7/2009	McGuigan et al.	D24/216
D598,098 S *	8/2009	Tanaka	D24/107
D598,100 S *	8/2009	Tanaka	D24/144
D600,814 S *	9/2009	Lathrop et al.	D24/186
D626,224 S *	10/2010	Amano et al.	D24/107
D638,545 S *	5/2011	Okawa et al.	D24/186
D640,378 S *	6/2011	Okawa et al.	D24/186
D647,412 S *	10/2011	Rha	D10/81
D678,531 S *	3/2013	Patil	D24/186

* cited by examiner

Primary Examiner — T. Chase Nelson

Assistant Examiner — Mark Cavanna

(74) *Attorney, Agent, or Firm* — Christensen O'Connor Johnson Kindness PLLC

(57) **CLAIM**

The ornamental design for a biomedical multifunction tester, as shown and described.

(56) **References Cited**

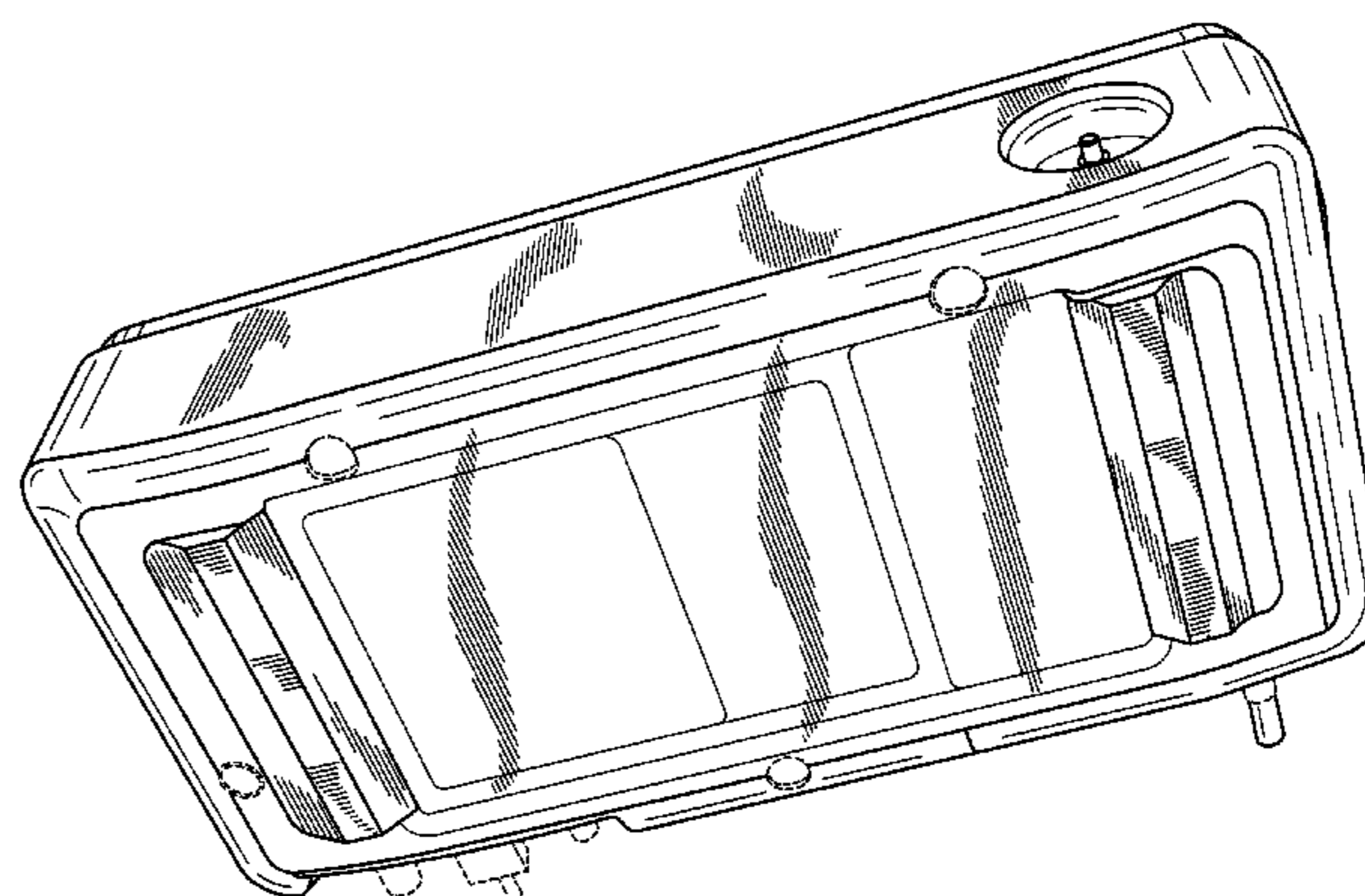
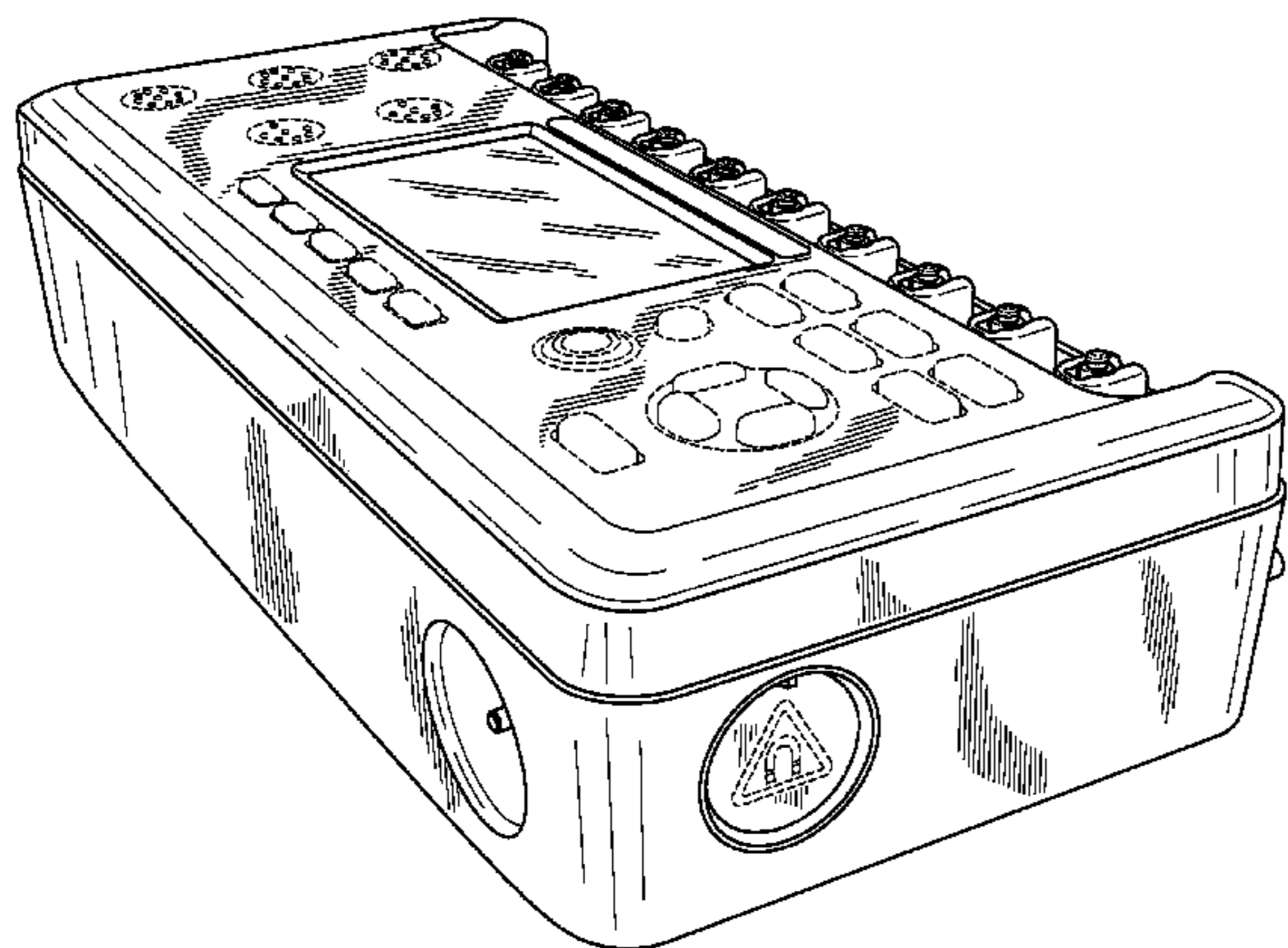
U.S. PATENT DOCUMENTS

D258,727 S *	3/1981	Swinstead	D10/78
D274,043 S *	5/1984	Paine	D10/50
D289,504 S *	4/1987	McCain et al.	D10/75
D311,700 S *	10/1990	Nelson	D10/78
D343,799 S *	2/1994	Spinks et al.	D10/75
D396,108 S *	7/1998	Garito et al.	D24/144
D412,991 S *	8/1999	DiVito et al.	D24/232
D494,077 S *	8/2004	Melenotte	D10/75
D548,841 S *	8/2007	Brownell et al.	D24/186
D571,472 S *	6/2008	Forlenza et al.	D24/170

DESCRIPTION

FIG. 1 is a top view of a biomedical multifunction tester showing my new design;
FIG. 2 is a first perspective view thereof.
FIG. 3 is a second perspective view thereof.
FIG. 4 is a third perspective view thereof; and,
FIG. 5 is a partially exploded perspective view thereof.
The broken lines form no part of the claimed design.

1 Claim, 5 Drawing Sheets



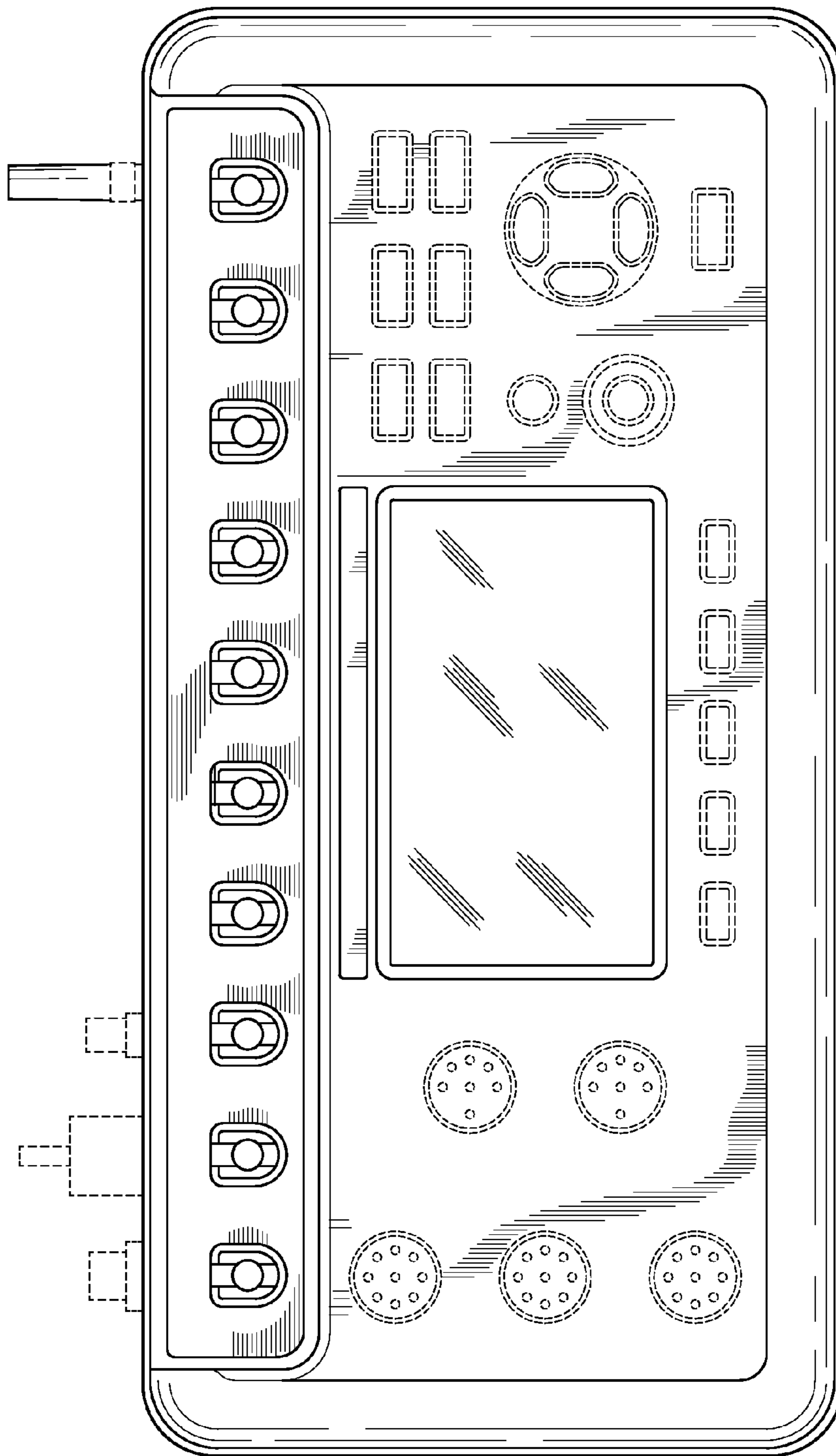


FIG. 1

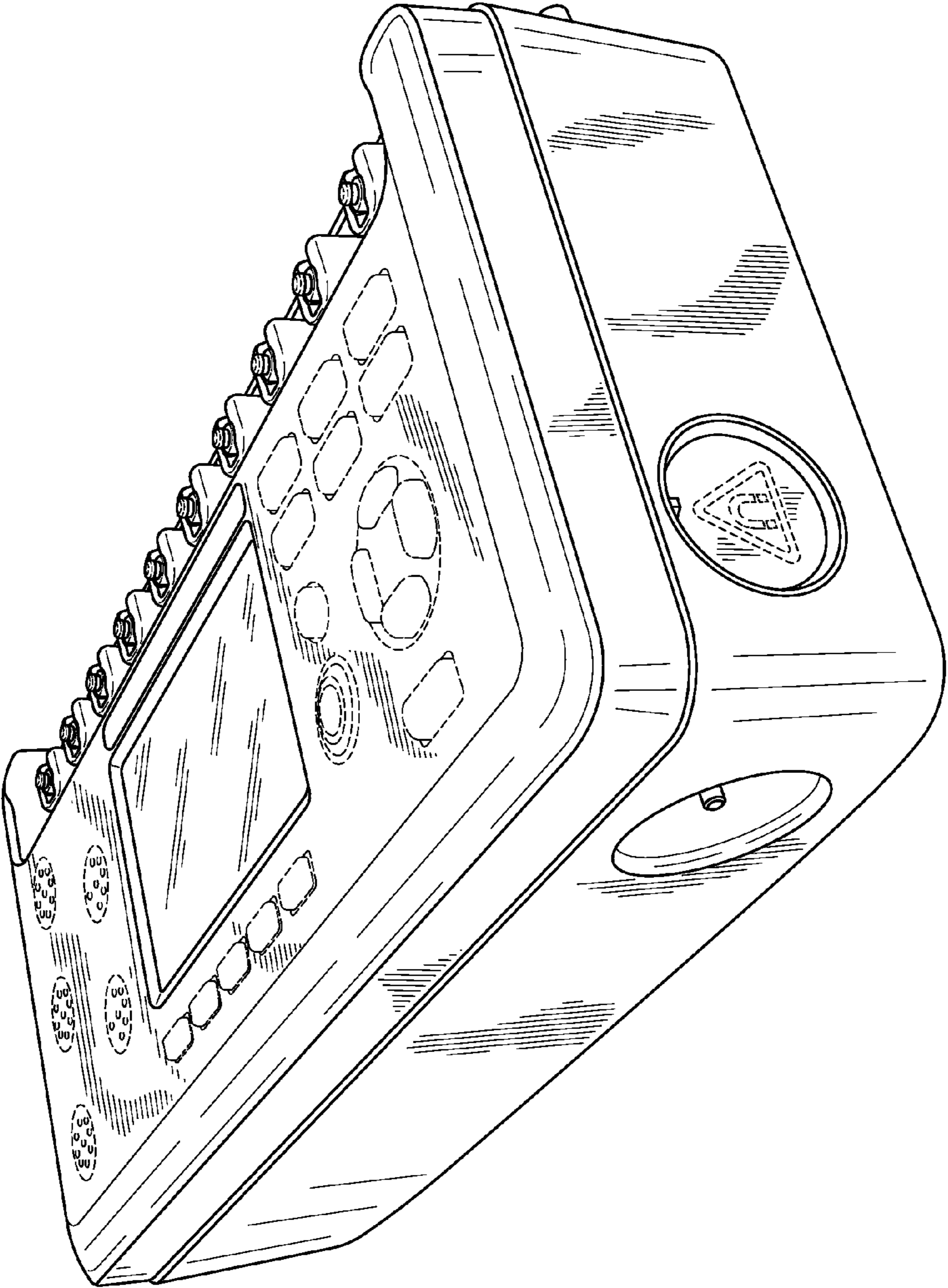


FIG. 2

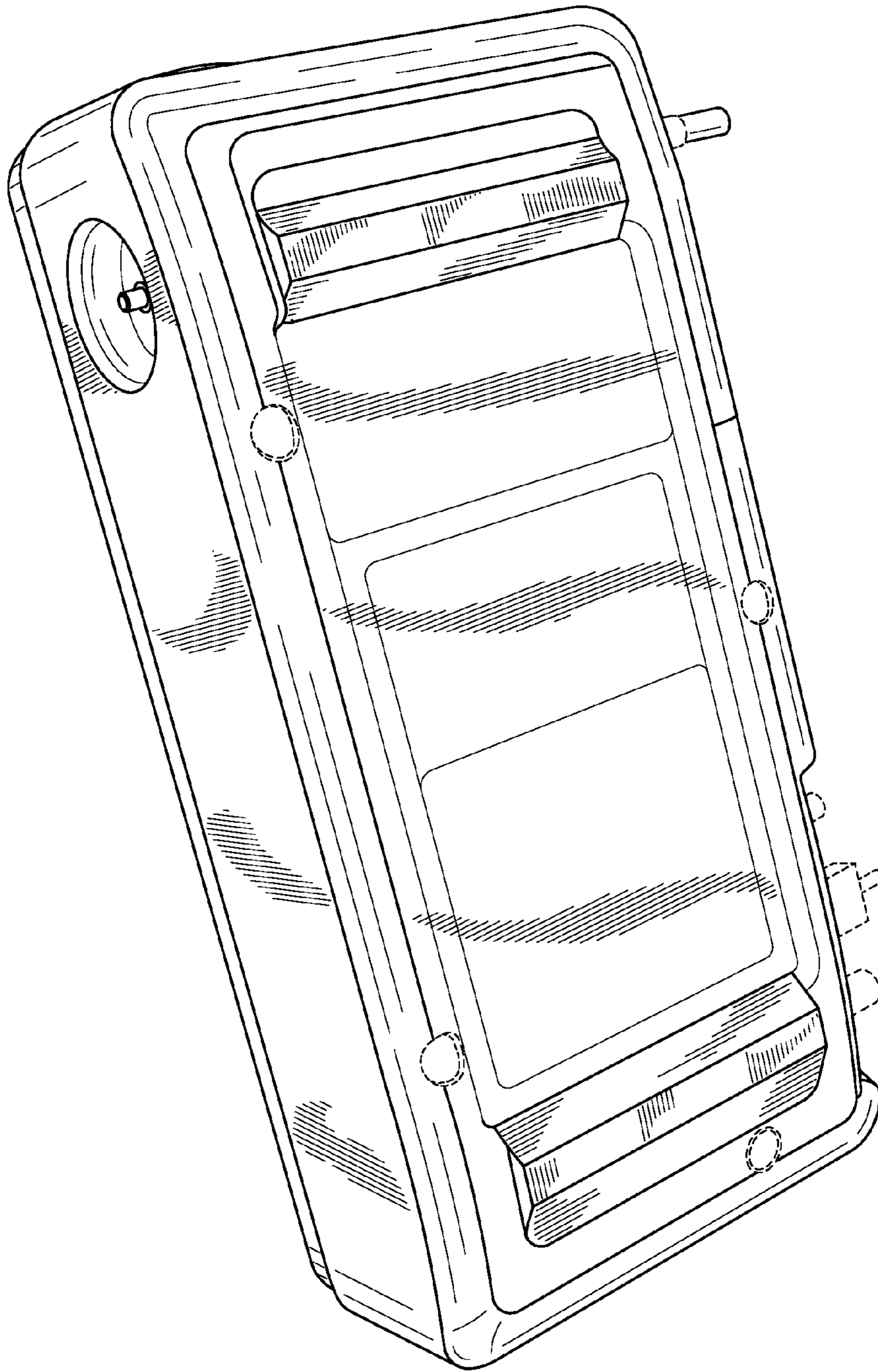


FIG. 3

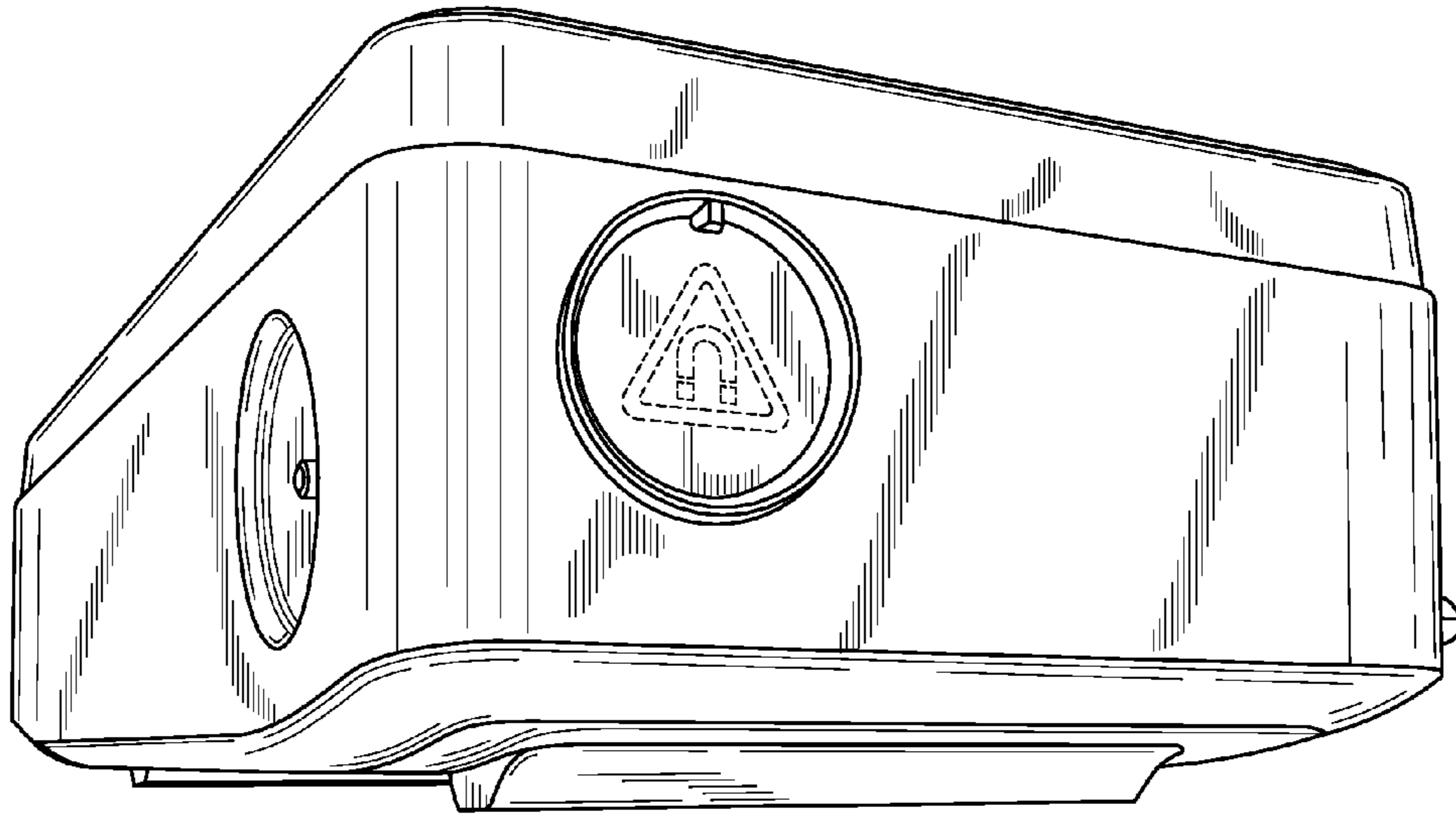


FIG. 4

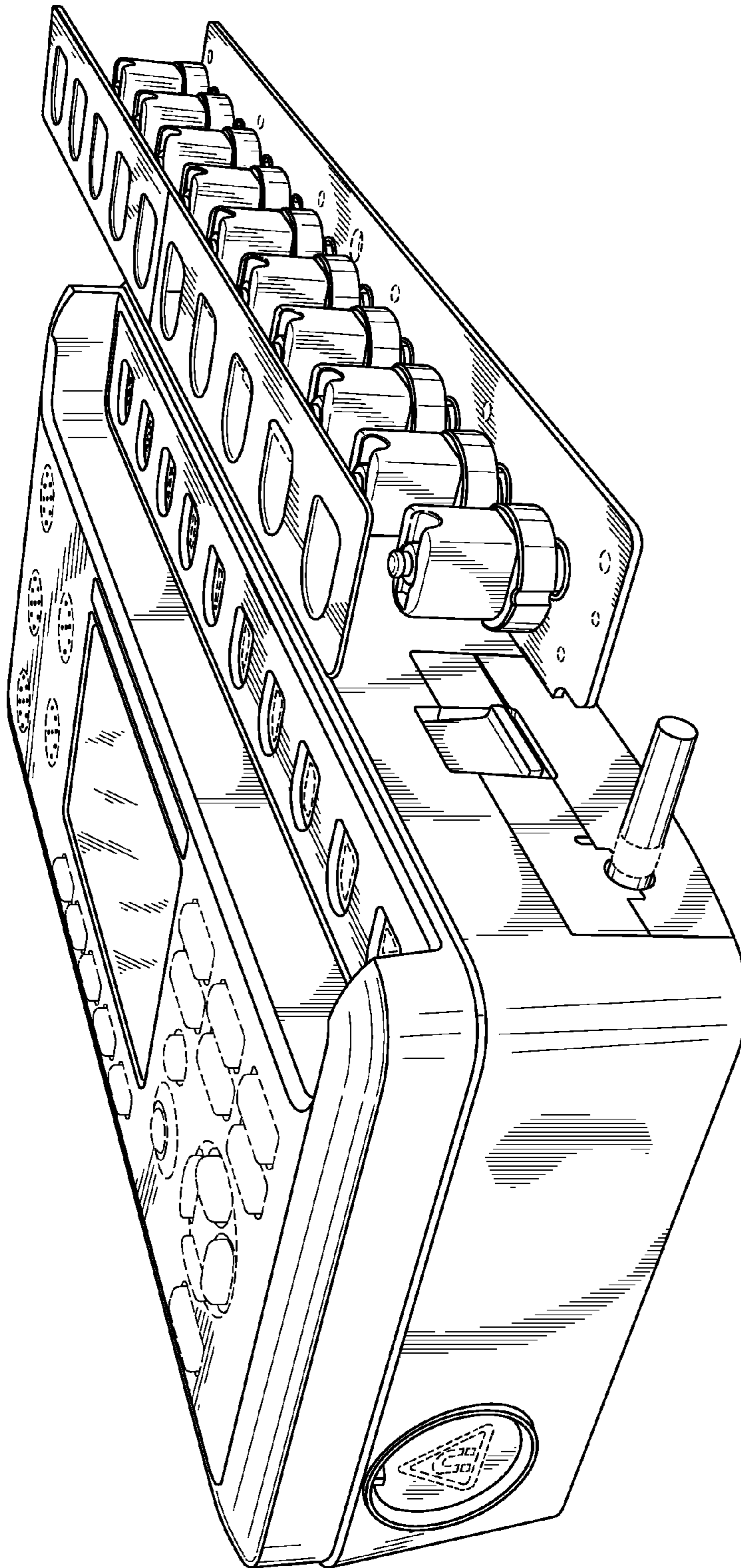


FIG. 5