



US00D698446S

(12) **United States Design Patent**
Terakawa

(10) **Patent No.:** **US D698,446 S**
(45) **Date of Patent:** **** Jan. 28, 2014**

(54) **COLOR SAMPLE HOLDING BASEPLATE**

DESCRIPTION

(71) Applicant: **Kuraray Noritake Dental Inc.,**
Okayama (JP)

(72) Inventor: **Eiichi Terakawa,** Okayama (JP)

(73) Assignee: **Kuraray Noritake Dental Inc.,**
Kurashiki-shi (JP)

(**) Term: **14 Years**

(21) Appl. No.: **29/438,416**

(22) Filed: **Nov. 29, 2012**

(30) **Foreign Application Priority Data**

May 31, 2012 (JP) 012991/2012

(51) **LOC (10) Cl.** **24-01**

(52) **U.S. Cl.**
USPC **D24/181**

(58) **Field of Classification Search**
USPC D24/176, 180-181, 227; 433/26, 72,
433/79, 202.1, 203.1; D7/550.1, 554.3,
D7/554.4; D12/425

See application file for complete search history.

(56) **References Cited**

U.S. PATENT DOCUMENTS

1,976,153 A * 10/1934 Voigt D24/181
D115,948 S * 8/1939 Barnes D24/181

(Continued)

FOREIGN PATENT DOCUMENTS

JP 2010-516355 A 5/2010
JP D1395275 S 8/2010
WO WO 2009/008044 A1 1/2009

Primary Examiner — Wan Laymon

(74) *Attorney, Agent, or Firm* — Leydig, Voit & Mayer, Ltd.

(57) **CLAIM**

The ornamental design for a color sample holding baseplate,
as shown and described.

FIG. 1 is a front view of the color sample holding baseplate of the present invention.

FIG. 2 is a rear view of the color sample holding baseplate of FIG. 1.

FIG. 3 is a top view of the color sample holding baseplate of FIG. 1.

FIG. 4 is a bottom view of the color sample holding baseplate of FIG. 1.

FIG. 5 is a left side view of the color sample holding baseplate of FIG. 1.

FIG. 6 is a right side view of the color sample holding baseplate of FIG. 1.

FIG. 7 is a cross-sectional view taken along A-A of the color sample holding baseplate of FIG. 1.

FIG. 8 is a cross-sectional view taken along B-B of the color sample holding baseplate of FIG. 1.

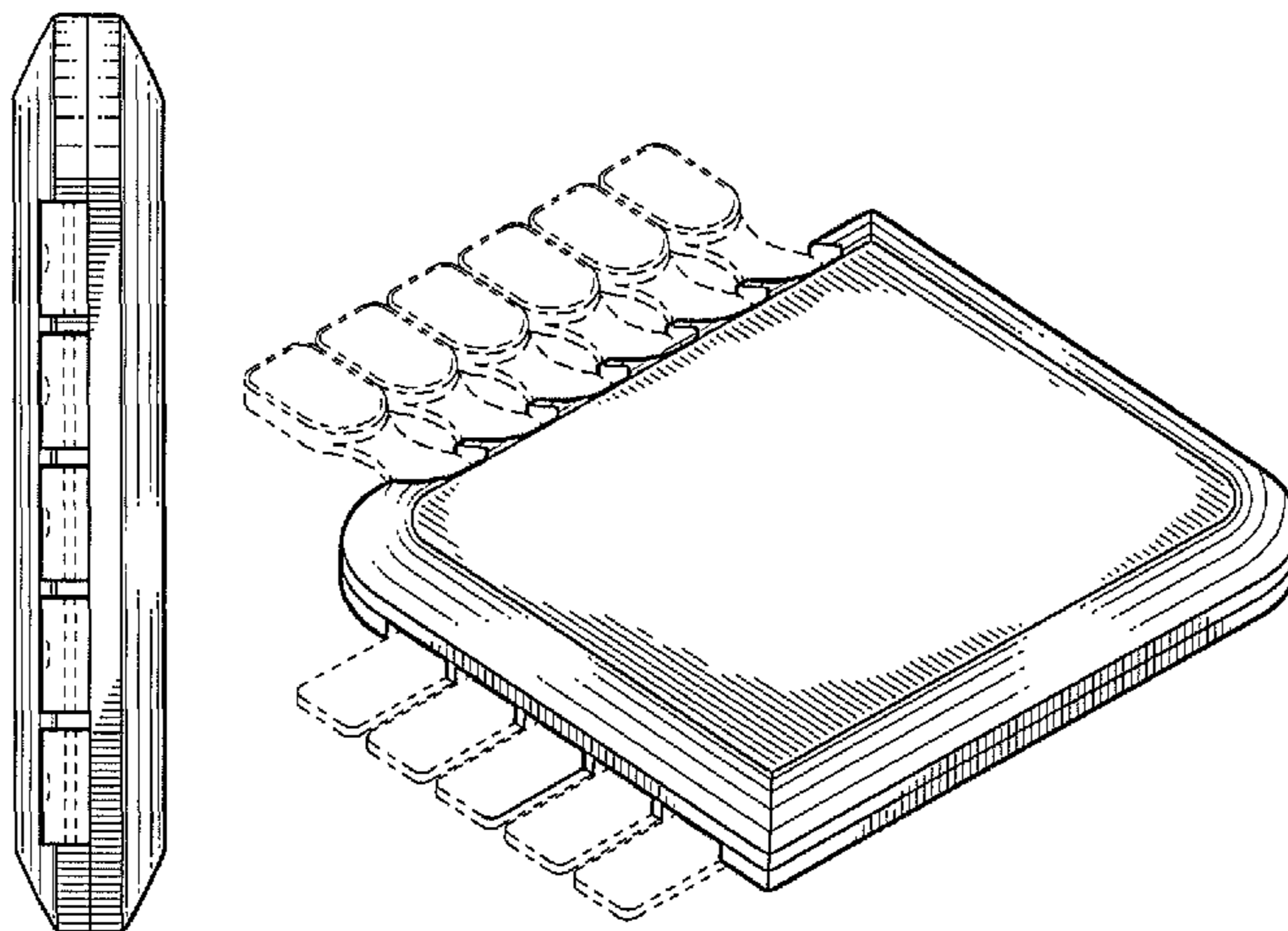
FIG. 9 is a reference front view of the color sample holding baseplate of FIG. 1 in use, wherein color sample indication tools are inserted into the baseplate, some of the illustrated color sample indication tools including concave parts near the ends of the tools, and including dental resins with predetermined color tones inserted in the concave parts, for tooth-color evaluation.

FIG. 10 is a reference perspective view showing the color sample holding baseplate of FIG. 1 in use, wherein color sample indication tools are inserted into the baseplate, some of the illustrated color sample indication tools including concave parts near the ends of the tools; and,

FIG. 11 is a reference perspective view showing the color sample holding baseplate of FIG. 1 in use, wherein color sample indication tools are inserted into the baseplate, some of the illustrated color sample indication tools including concave parts near the ends of the tools, and including dental resins with predetermined color tones inserted in the concave parts, for tooth-color evaluation.

The broken line showing of the environment in the Figures is for illustrative purpose only and forms no part of the claimed design.

1 Claim, 11 Drawing Sheets



(56)

References Cited

U.S. PATENT DOCUMENTS

| | | | | | | | |
|---------------|---------|--------------------|---------|-------------------|--------|-----------------|--------|
| D117,123 S * | 10/1939 | Lays | D24/181 | 5,782,632 A * | 7/1998 | Foser | 433/26 |
| D127,330 S * | 5/1941 | Purcell | D24/181 | 6,758,670 B2 * | 7/2004 | Eggler | 433/26 |
| 2,249,634 A * | 7/1941 | Myerson | 433/26 | D667,556 S | 9/2012 | Ikenaga et al. | |
| D372,081 S * | 7/1996 | Kramer et al. | D24/181 | 2009/0233253 A1 * | 9/2009 | Mrazek | 433/26 |
| | | | | 2010/0055638 A1 | 3/2010 | Albarski et al. | |
| | | | | 2010/0173257 A1 | 7/2010 | Yamamoto et al. | |

* cited by examiner

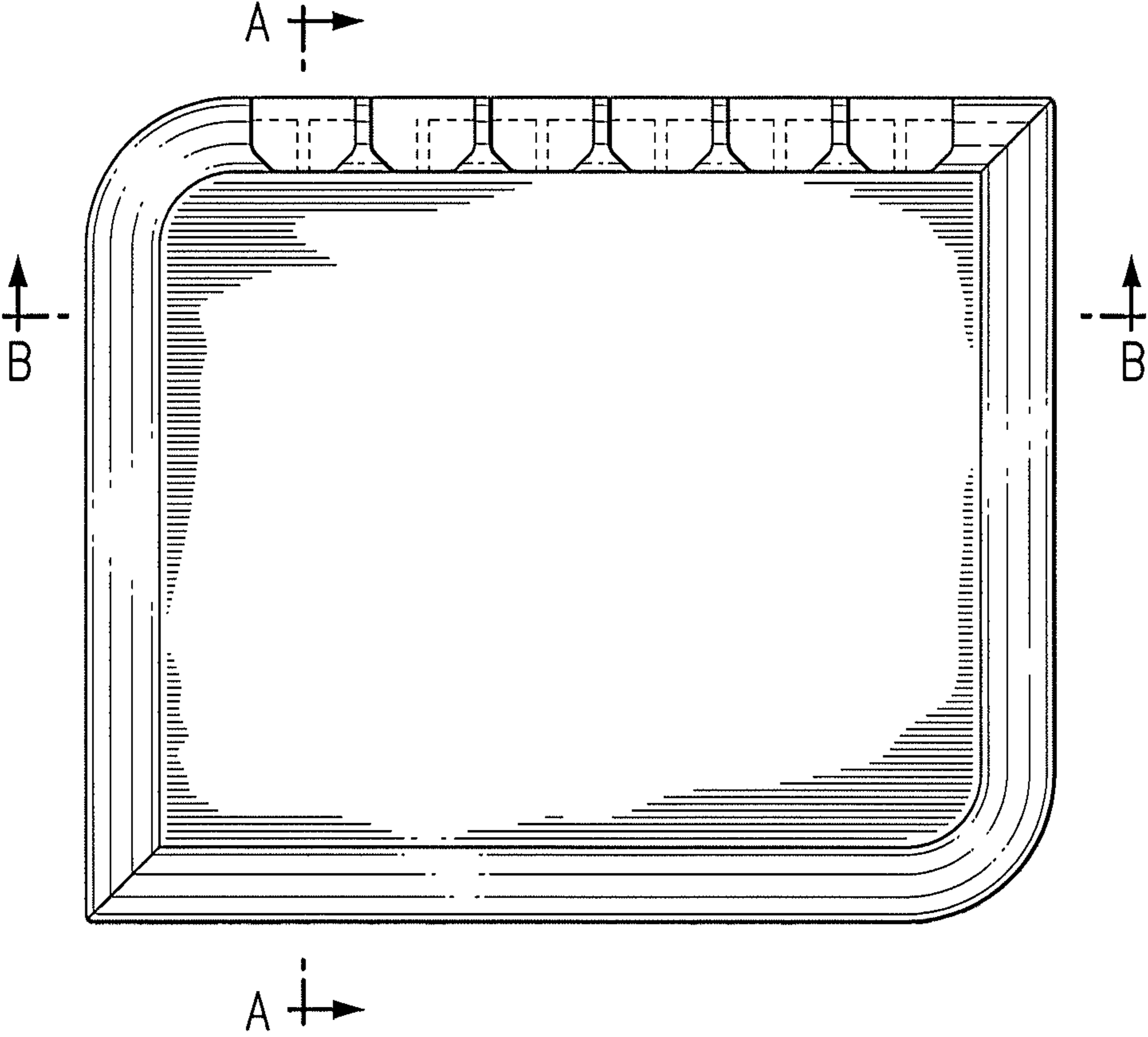


FIG. 1

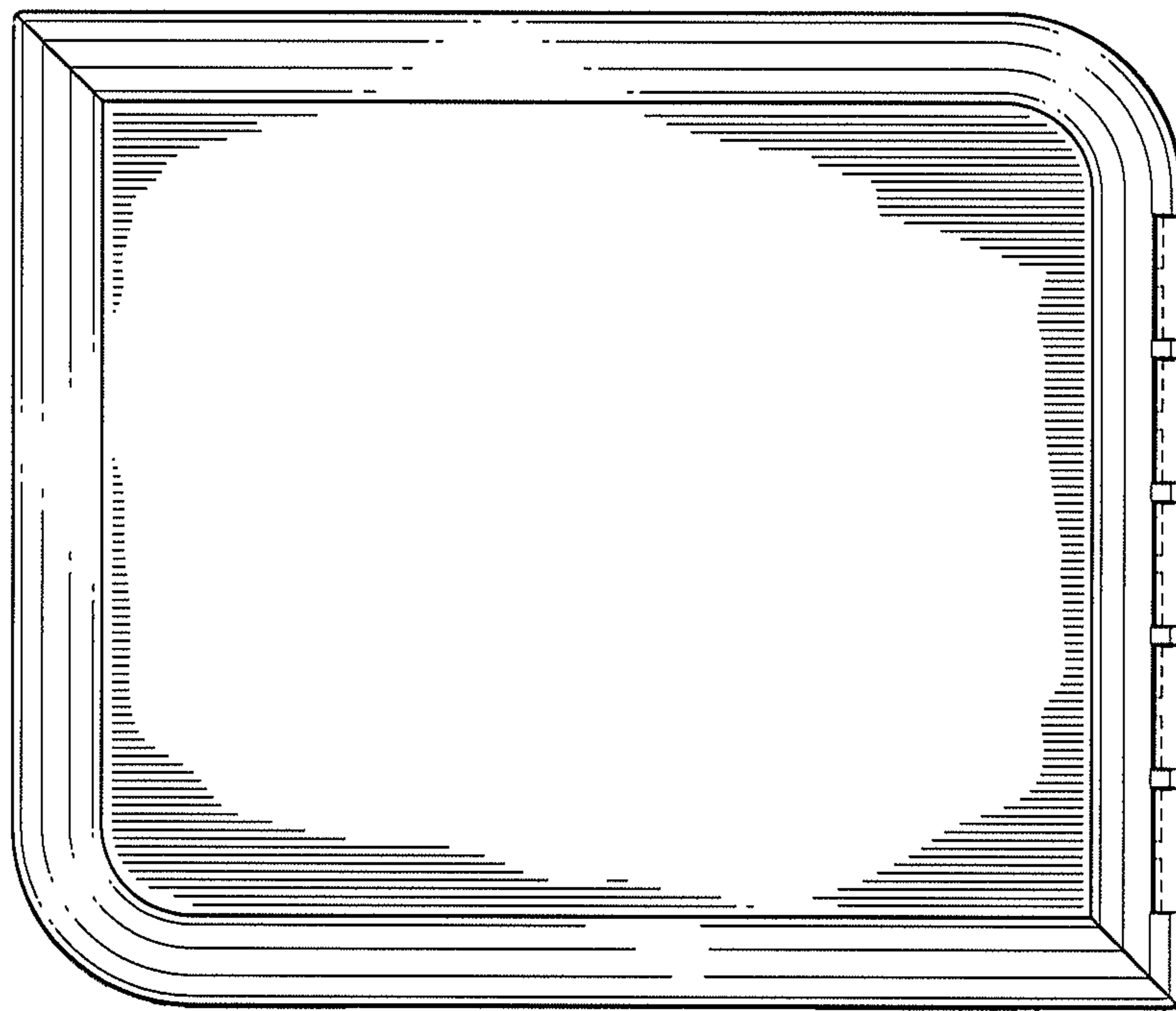


FIG. 2

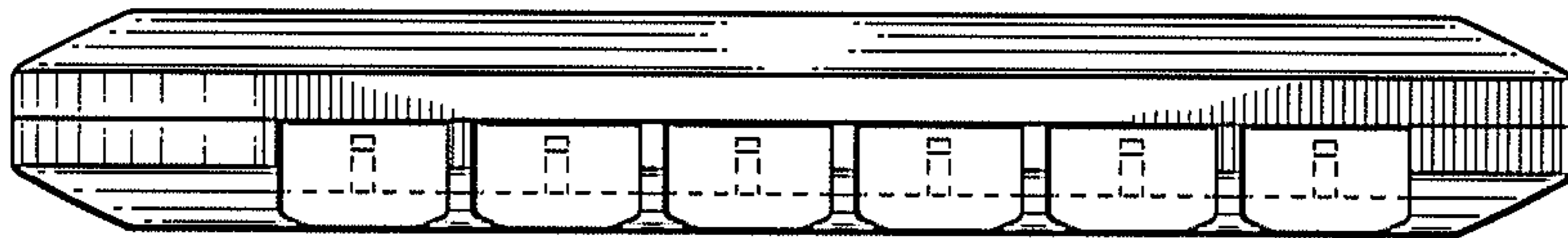


FIG. 3

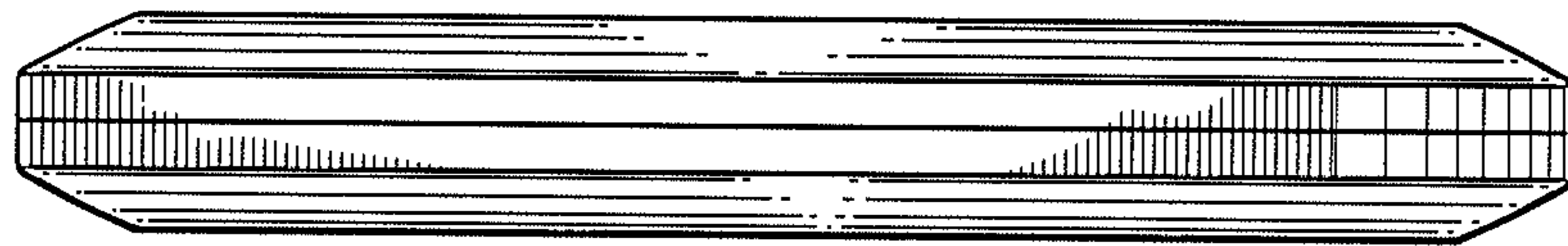


FIG. 4

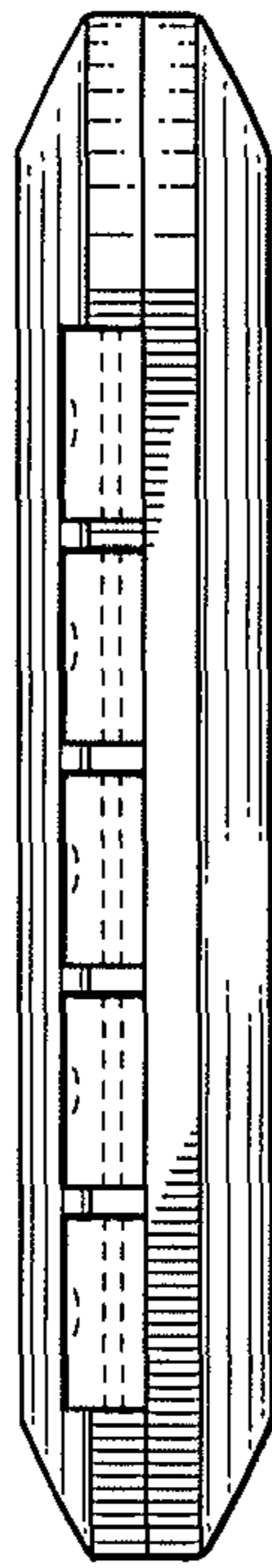


FIG. 5

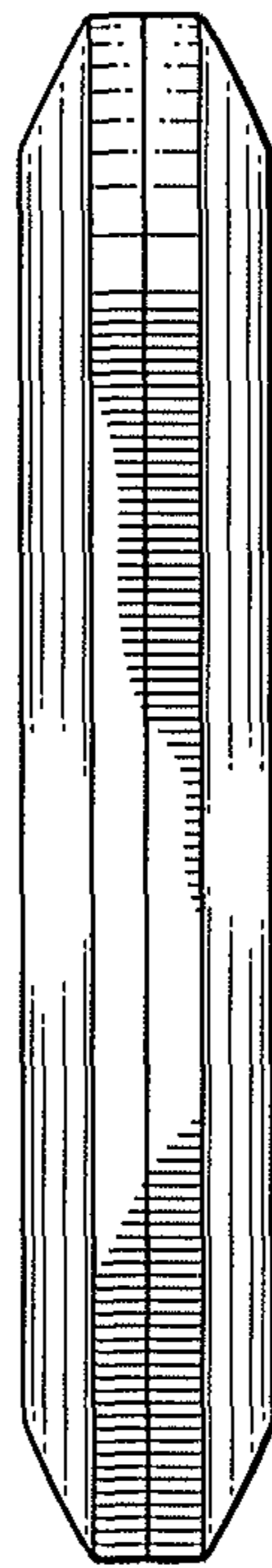


FIG. 6

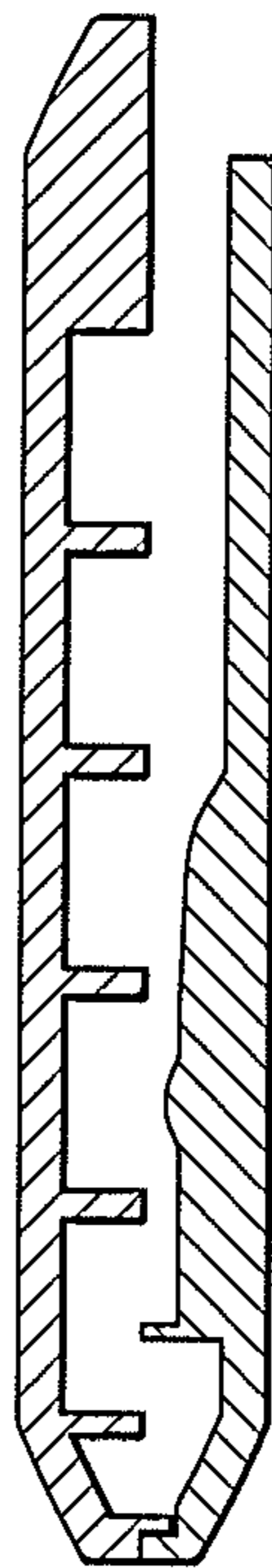


FIG. 7

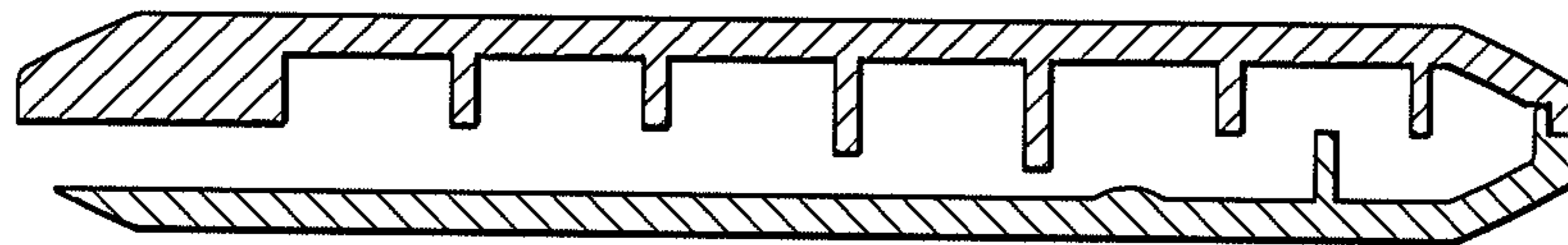


FIG. 8

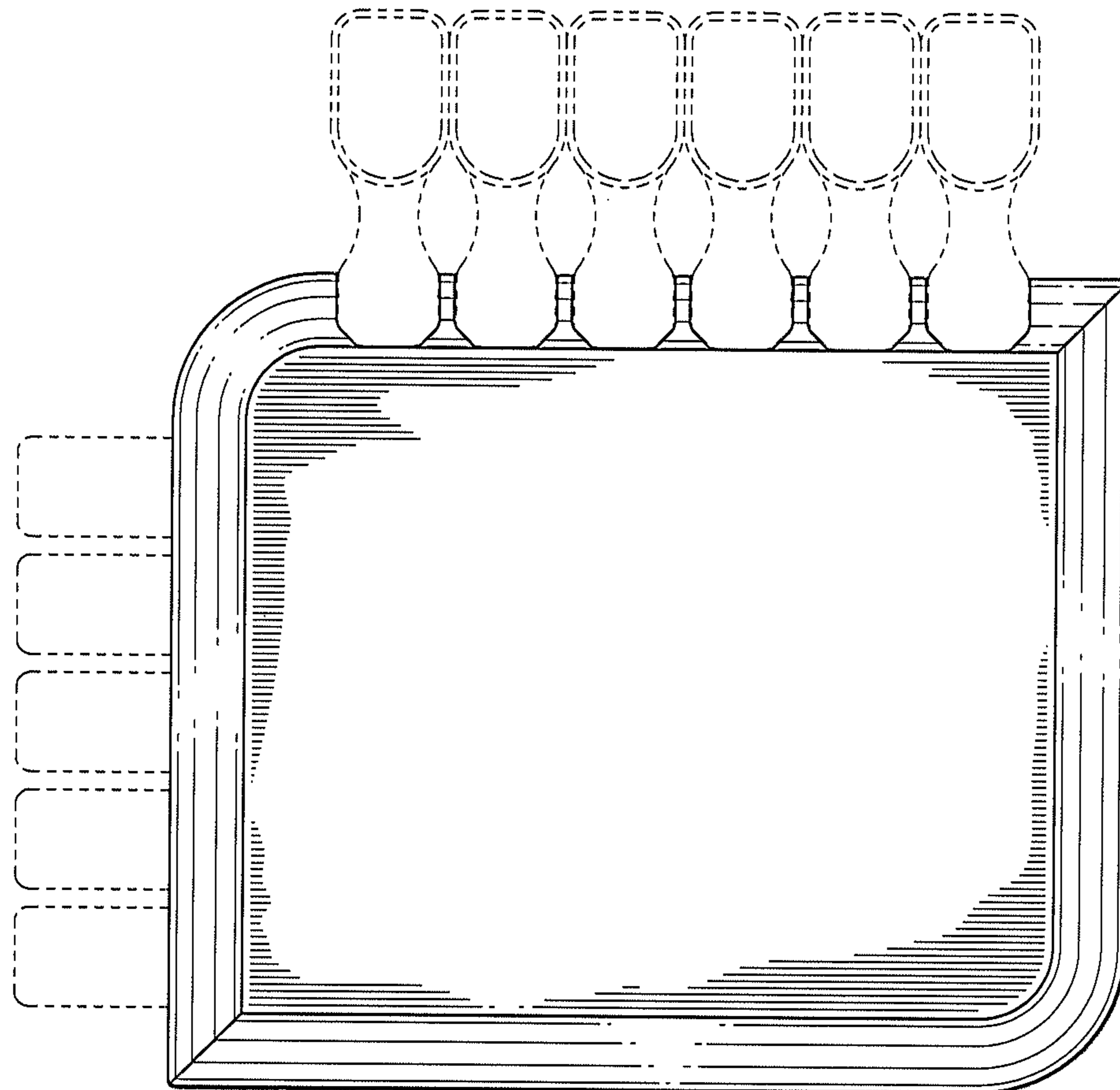


FIG. 9

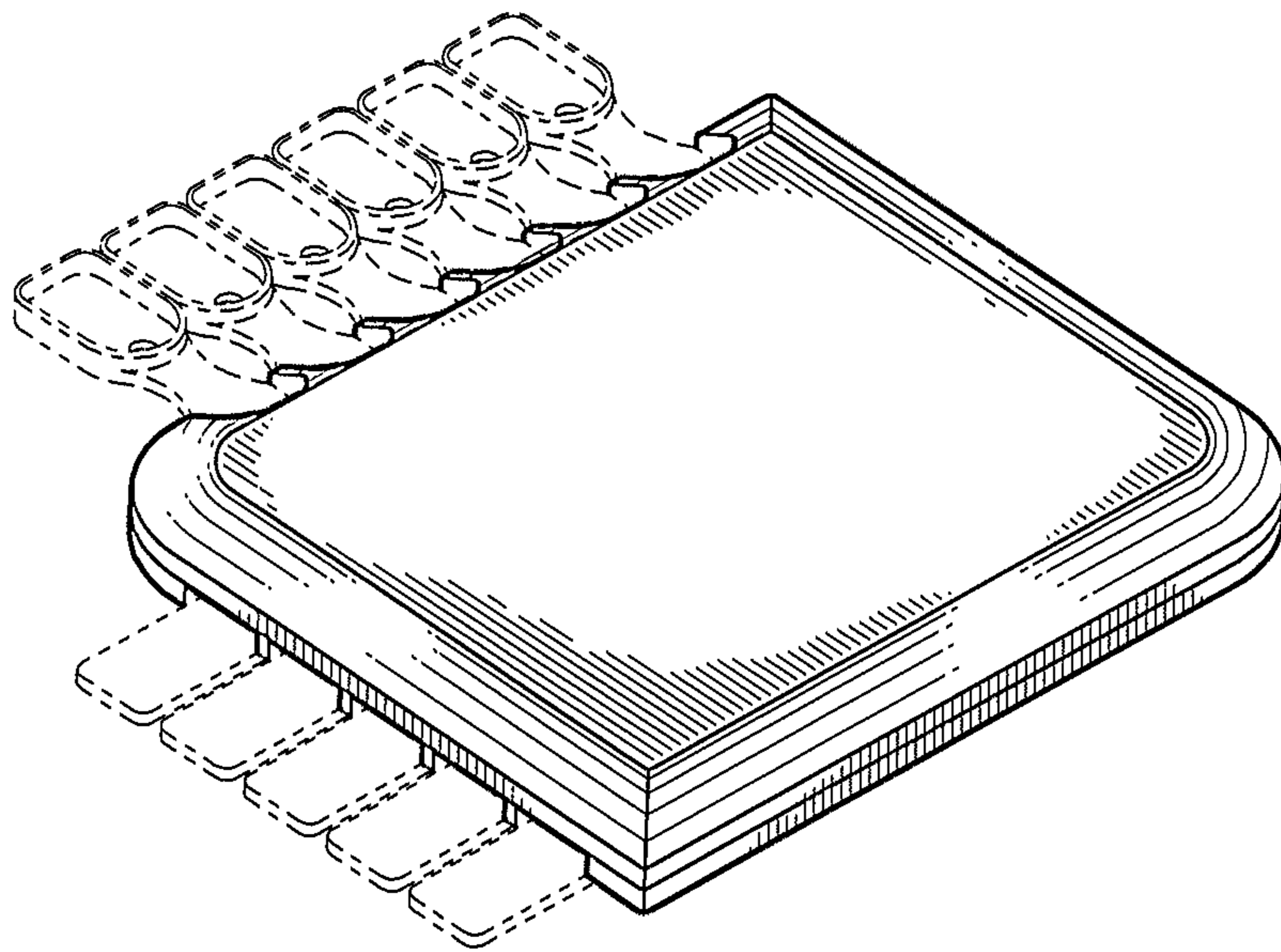


FIG. 10

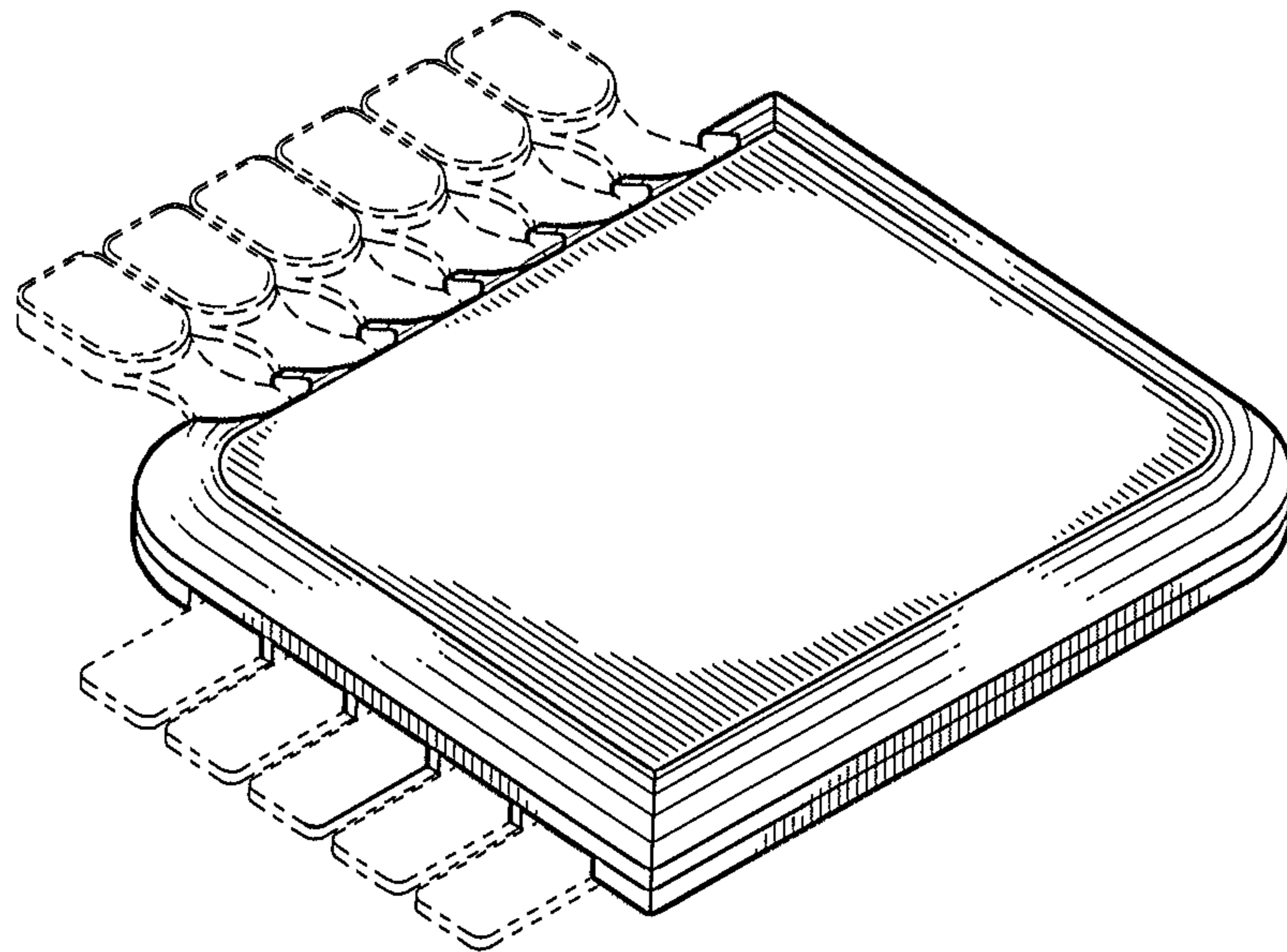


FIG. 11