



US00D698444S

(12) **United States Design Patent**  
**Mensink**

(10) **Patent No.:** **US D698,444 S**  
(45) **Date of Patent:** **\*\* Jan. 28, 2014**

(54) **SCANNING LASER OPHTHALMOSCOPE**

(75) Inventor: **Michiel H. Mensink**, Amsterdam (NL)

(73) Assignee: **I-Optics**, The Hague (NL)

(\*\*) Term: **14 Years**

(21) Appl. No.: **29/399,065**

(22) Filed: **Aug. 9, 2011**

(51) **LOC (10) Cl.** ..... **24-01**

(52) **U.S. Cl.**  
USPC ..... **D24/172**

(58) **Field of Classification Search**  
USPC ..... D24/150, 172; 351/205, 200, 208-212,  
351/221, 216, 239, 245; 600/398-400, 402;  
D10/46

See application file for complete search history.

(56) **References Cited**

**U.S. PATENT DOCUMENTS**

D246,188	S	*	10/1977	Jordan	.....	D24/172
D288,822	S	*	3/1987	Cyujou et al.	.....	D16/200
D293,818	S	*	1/1988	Speaker	.....	D24/172
D316,144	S	*	4/1991	Nishimura	.....	D24/172
D330,769	S	*	11/1992	Blaha et al.	.....	D24/172
D341,541	S	*	11/1993	Ichiyoshi	.....	D10/46
D348,224	S	*	6/1994	Hayashi	.....	D10/46
5,565,939	A	*	10/1996	Fujieda	.....	351/212
5,629,747	A	*	5/1997	Miyake	.....	351/218
D390,663	S	*	2/1998	Wolf et al.	.....	D24/172
D394,505	S	*	5/1998	Hayashi	.....	D24/172
D436,665	S	*	1/2001	Becker	.....	D24/172

D468,430	S	*	1/2003	Hoelbl	.....	D24/172
D483,873	S	*	12/2003	Schwartz	.....	D24/172
6,685,317	B2	*	2/2004	Su et al.	.....	351/206
D552,736	S	*	10/2007	Yamaoka	.....	D24/172
D582,556	S	*	12/2008	Yamaoka	.....	D24/172
D589,622	S	*	3/2009	Koest	.....	D24/172
D614,774	S	*	4/2010	Gausmann et al.	.....	D24/172
2006/0268230	A1	*	11/2006	Kogawa et al.	.....	351/206

\* cited by examiner

*Primary Examiner* — Ian Simmons

*Assistant Examiner* — Carissa C Fitts

(74) *Attorney, Agent, or Firm* — Moss & Barnett

(57) **CLAIM**

The ornamental design for a scanning laser ophthalmoscope, as shown and described.

**DESCRIPTION**

FIG. 1 is a side elevated view of a scanning laser ophthalmoscope showing my new design;

FIG. 2 is a rear elevated view of the scanning laser ophthalmoscope;

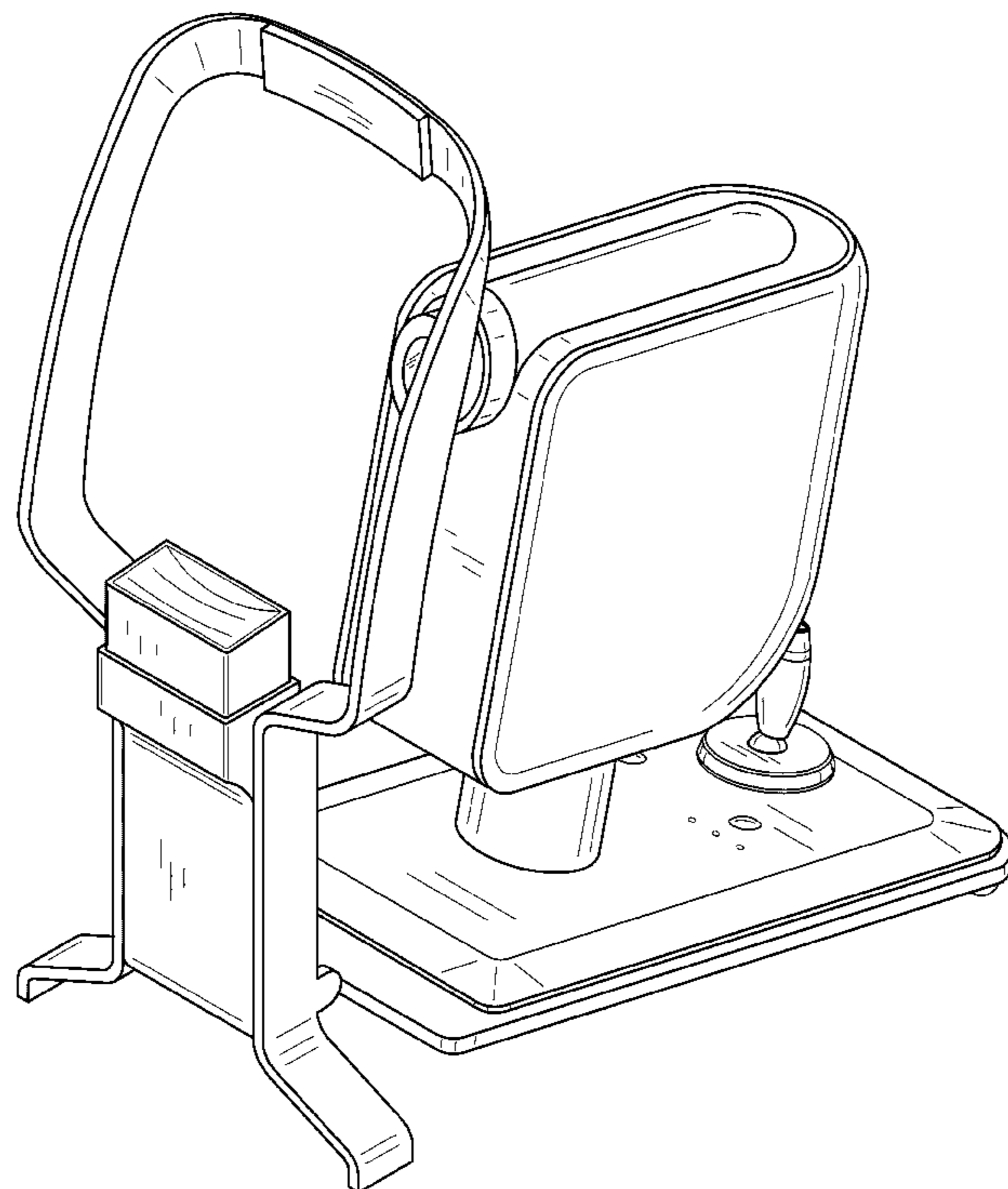
FIG. 3 is a front elevated view of the scanning laser ophthalmoscope;

FIG. 4 is a top plan view of the scanning laser ophthalmoscope;

FIG. 5 is a bottom plan view of the scanning laser ophthalmoscope; and,

FIG. 6 is a front perspective view of the scanning laser ophthalmoscope.

**1 Claim, 5 Drawing Sheets**



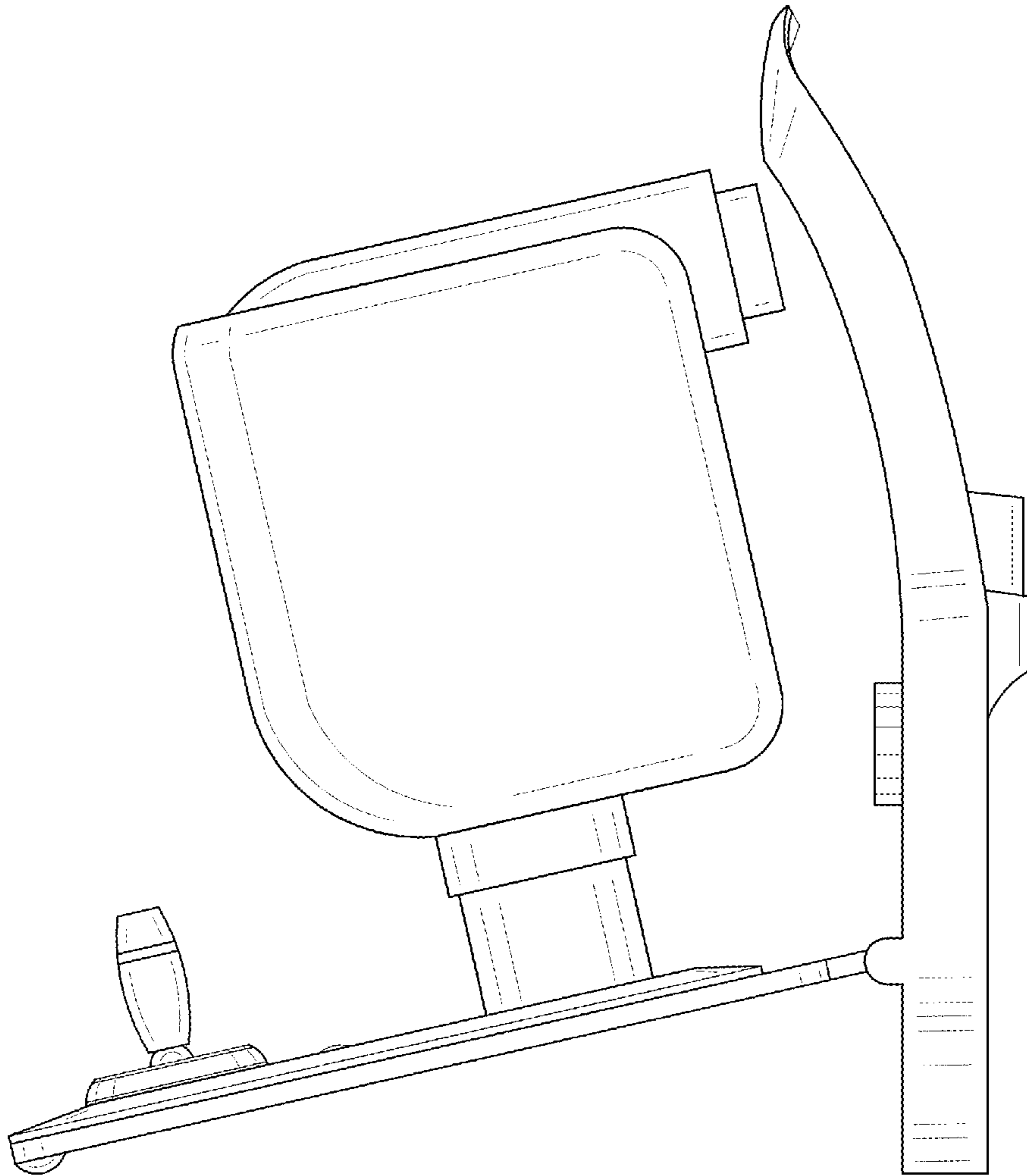


FIG. 1

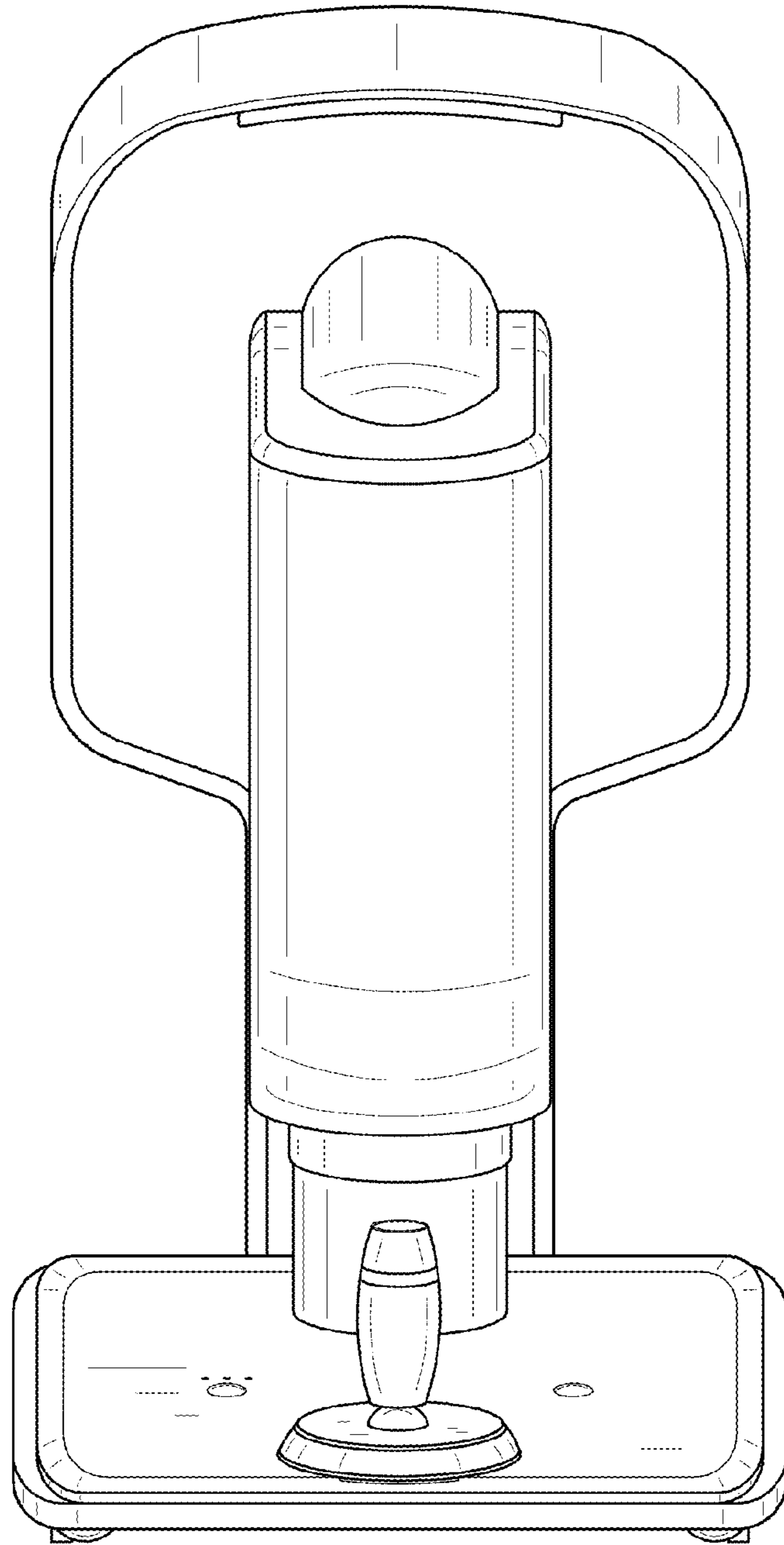


FIG. 2

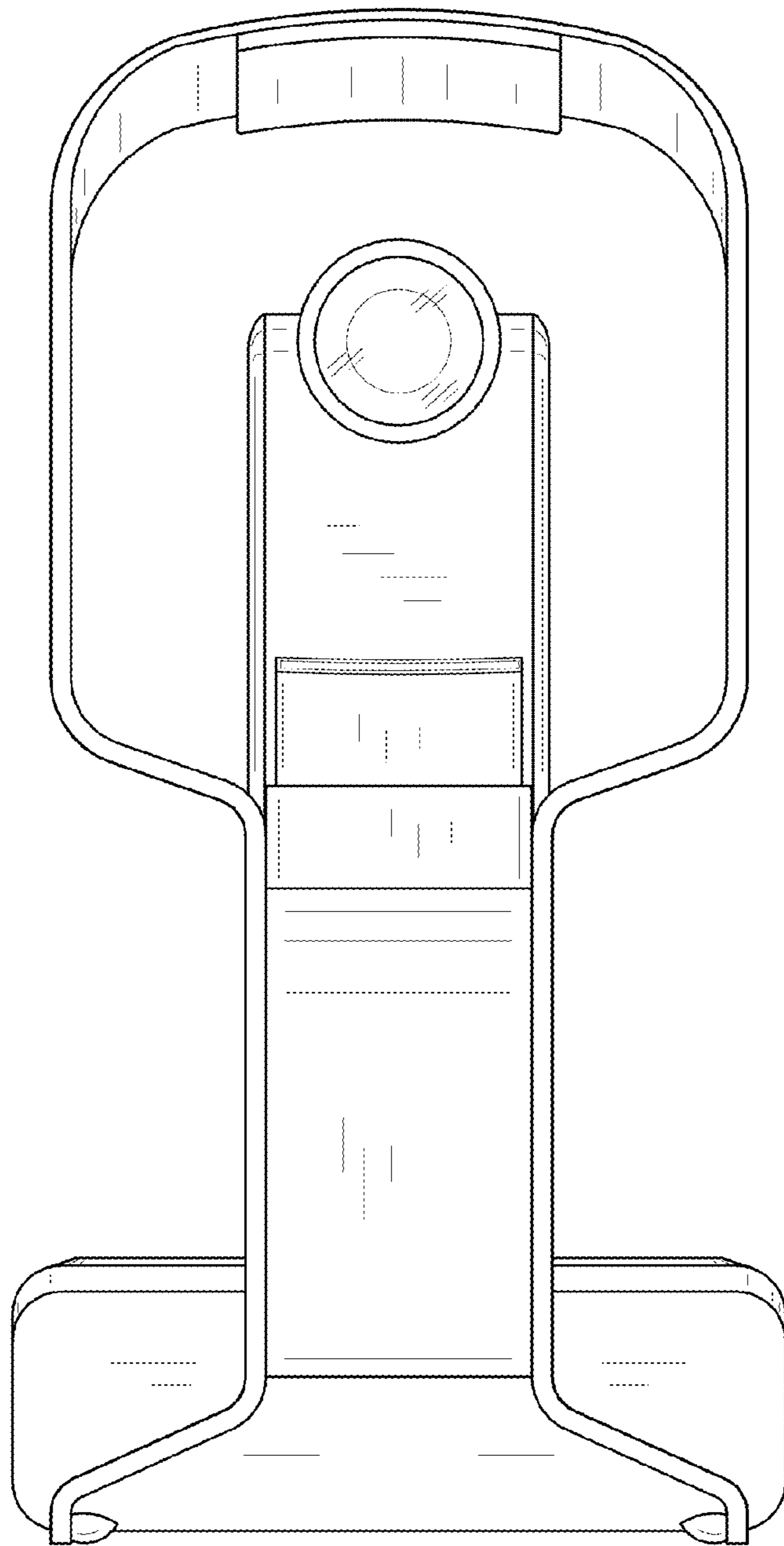


FIG. 3

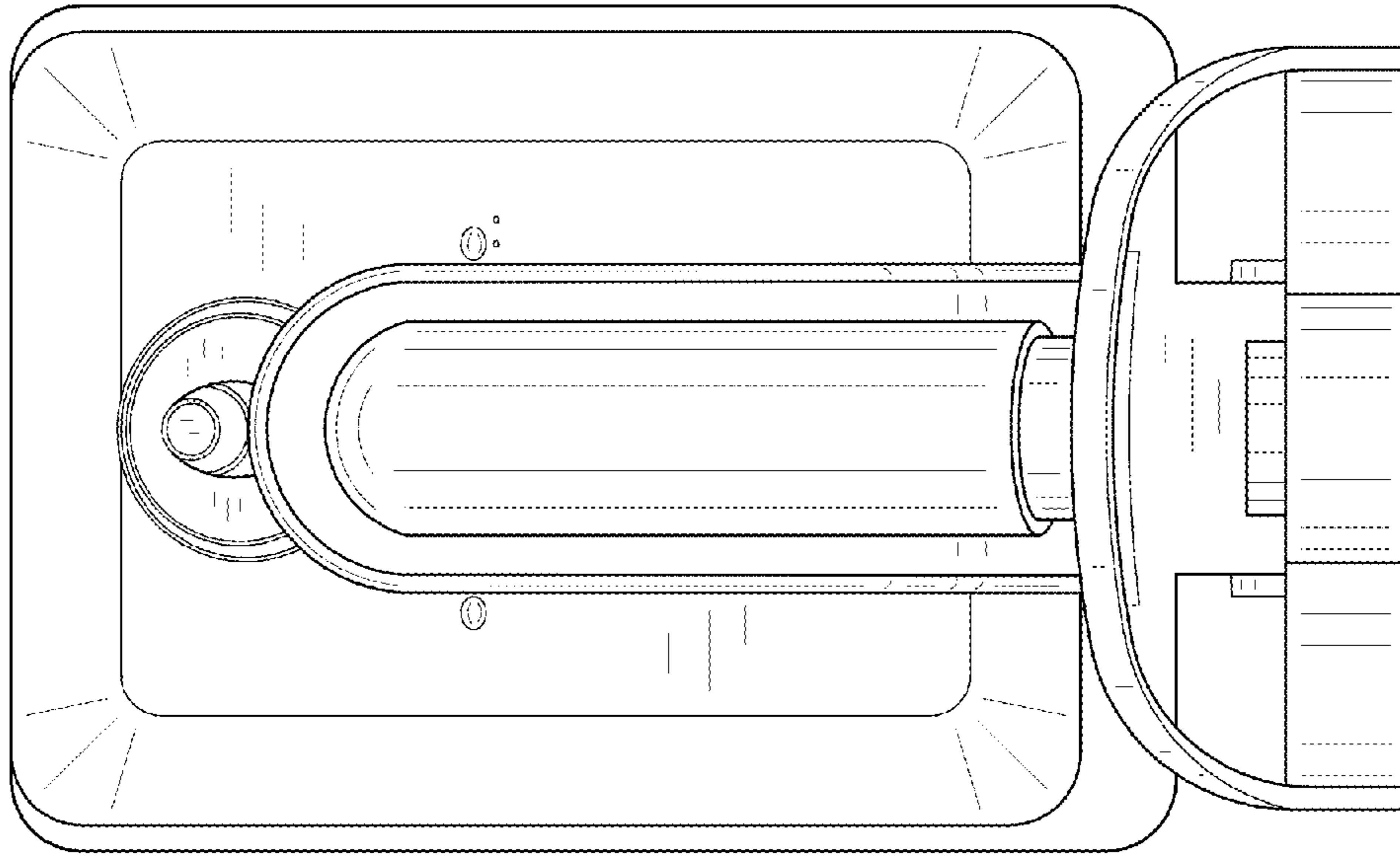


FIG. 4

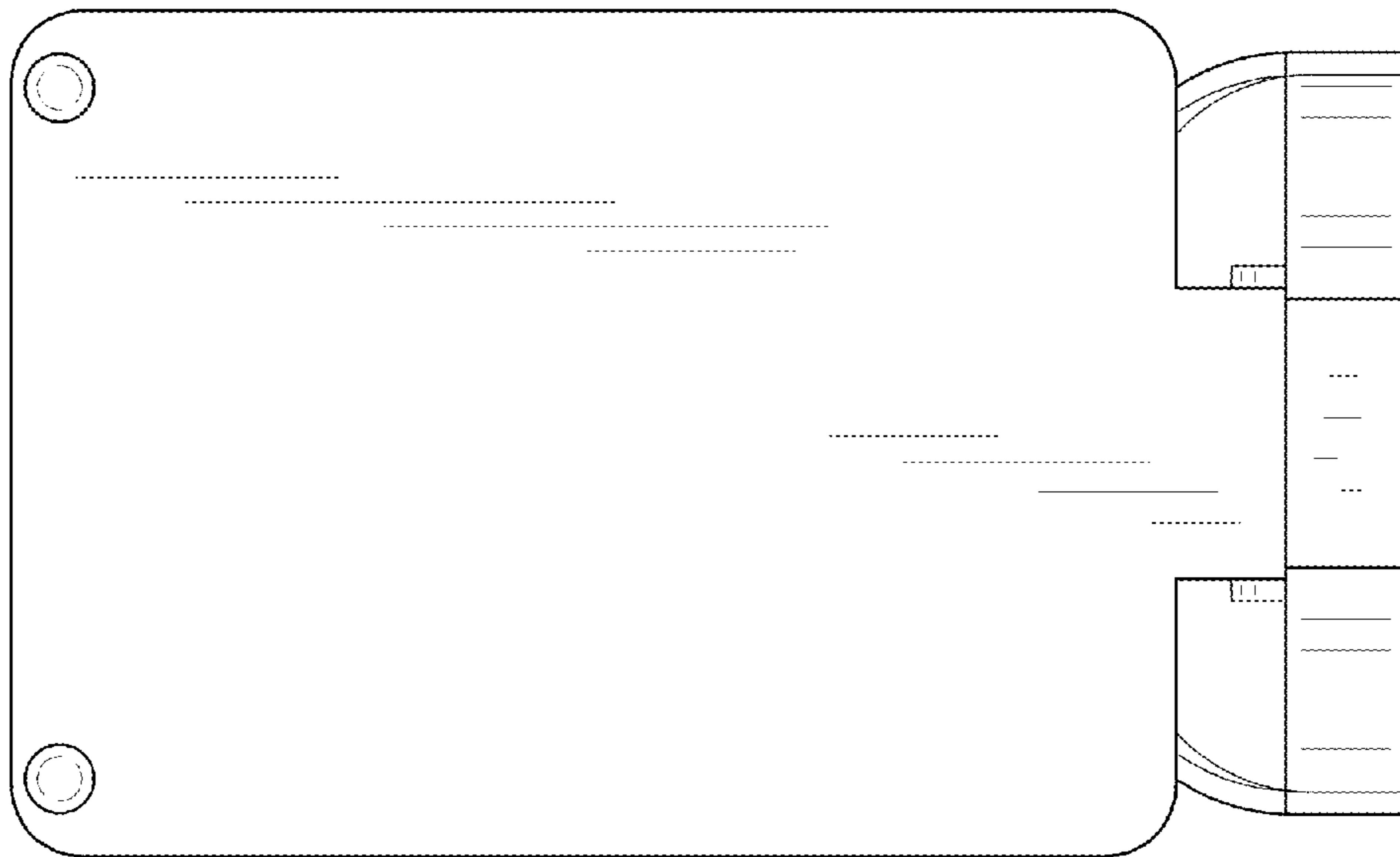


FIG. 5

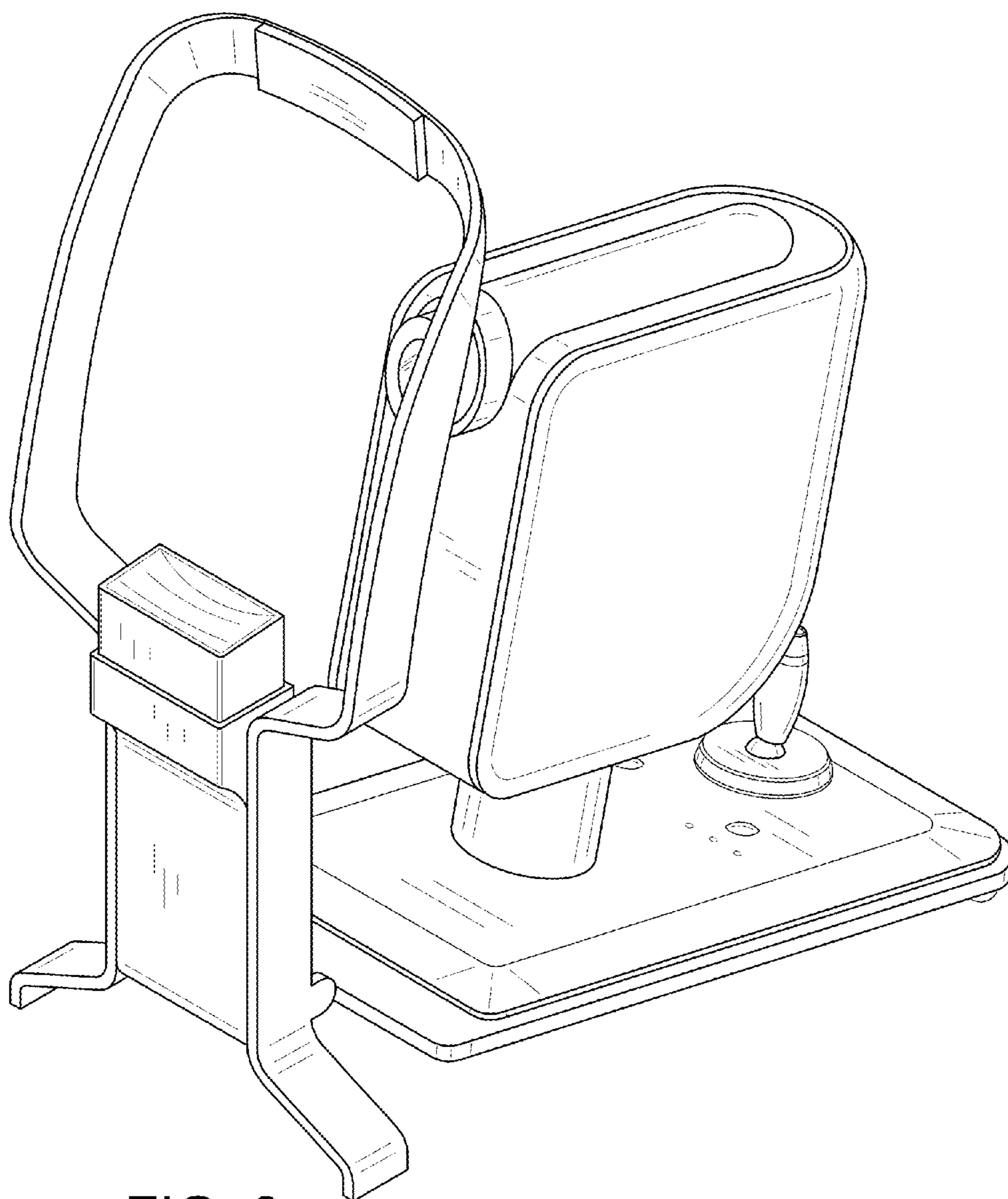


FIG. 6