



US00D698442S

(12) **United States Design Patent**  
**Steward, Jr. et al.**

(10) **Patent No.:** **US D698,442 S**  
(45) **Date of Patent:** **\*\* Jan. 28, 2014**

(54) **HOLDER FOR A DIGITAL DENTAL X-RAY SENSOR**

FOREIGN PATENT DOCUMENTS

(71) Applicants: **Curtis L. Steward, Jr.**, Sandwich, IL (US); **Sean V. Ciesielka**, Belvidere, IL (US)

DE 102007012197 A1 9/2008  
EP 1696264 A1 8/2006

(Continued)

(72) Inventors: **Curtis L. Steward, Jr.**, Sandwich, IL (US); **Sean V. Ciesielka**, Belvidere, IL (US)

OTHER PUBLICATIONS

International Search Report, Application No. 2010/036344, Published May 27, 2010.

(Continued)

(73) Assignee: **DENTSPLY International Inc.**, York, PA (US)

*Primary Examiner* — Anhdao Doan

(\*\*) Term: **14 Years**

(74) *Attorney, Agent, or Firm* — Douglas J. Hura; David A. Zurne; Leana Levin

(21) Appl. No.: **29/456,279**

(22) Filed: **May 30, 2013**

(57) **CLAIM**

(51) **LOC (10) Cl.** ..... **24-01**

The ornamental design for a holder for a digital dental x-ray sensor, as shown and described.

(52) **U.S. Cl.**

USPC ..... **D24/161**

(58) **Field of Classification Search**

USPC ..... D24/158–161, 185, 186, 152, 176, 177;  
D8/394, 396; 378/38–40, 169–170,  
378/177, 180, 191, 205

See application file for complete search history.

**DESCRIPTION**

(56) **References Cited**

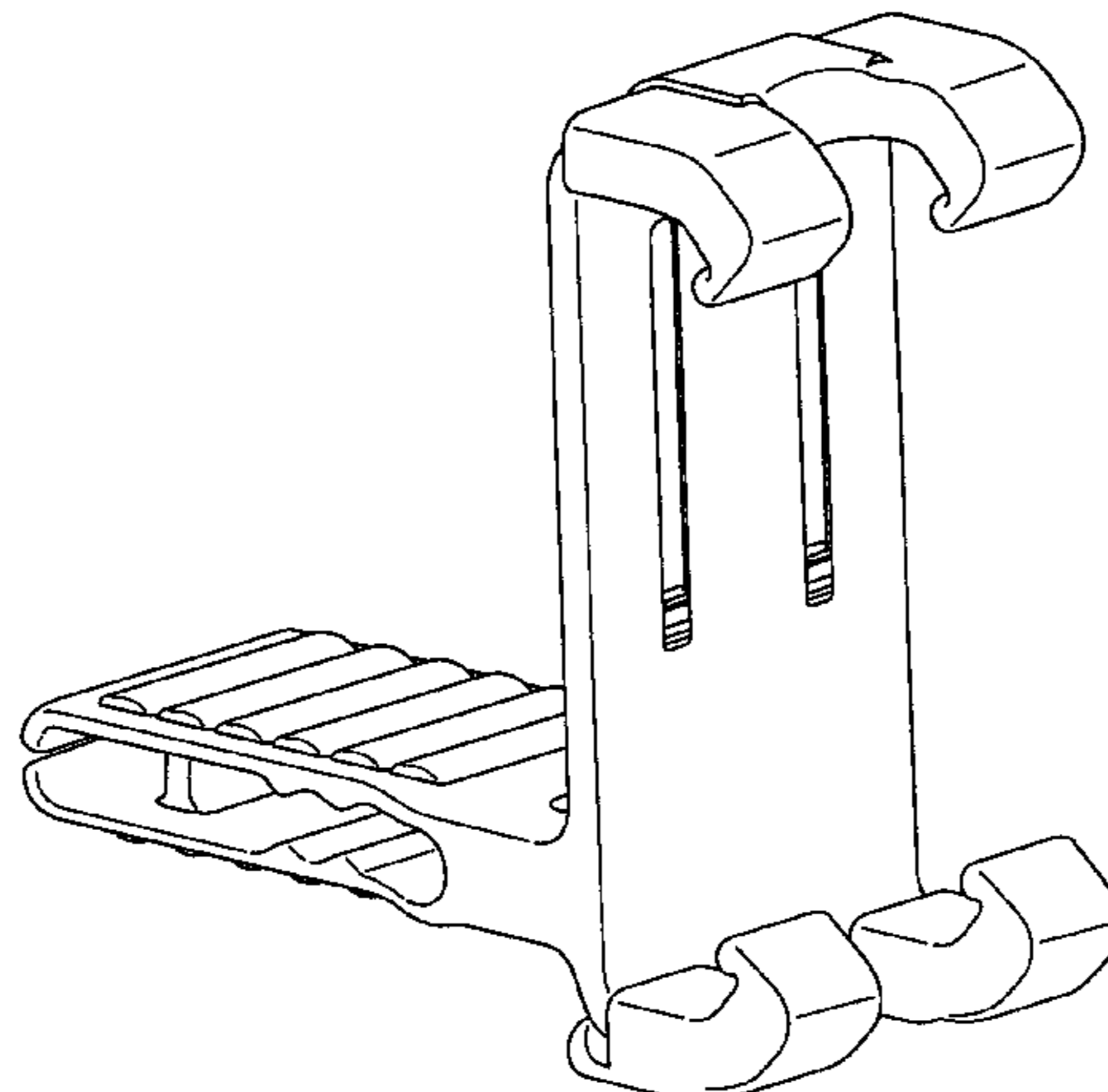
U.S. PATENT DOCUMENTS

2,253,282	A	4/1940	Medalie	
4,484,342	A *	11/1984	Allison et al. ....	378/168
D283,157	S *	3/1986	Maldonado et al. ....	D24/161
4,945,553	A	7/1990	Willis	
5,677,537	A *	10/1997	Pfeiffer .....	250/370.09
6,343,875	B1	2/2002	Eppinger et al.	
6,461,038	B2	10/2002	Pellegrini et al.	
6,540,399	B1 *	4/2003	Eppinger et al. ....	378/170
6,974,253	B2	12/2005	Ihalainen	
7,819,579	B2 *	10/2010	Schmulenson et al. ....	378/170
8,016,483	B2 *	9/2011	Steward, Jr. ....	378/170
D682,428	S *	5/2013	Steward et al. ....	D24/161
2002/0076001	A1	6/2002	Pellegrini et al.	

(Continued)

FIG. 1 is a front perspective view of a holder for a digital dental x-ray sensor, showing our new design;  
FIG. 2 is a rear perspective view of the holder for a digital dental x-ray sensor of FIG. 1;  
FIG. 3 is a front elevational view of the holder for a digital dental x-ray sensor shown in FIG. 1;  
FIG. 4 is a rear elevational view of the holder for a digital dental x-ray sensor shown in FIG. 1;  
FIG. 5 is a side elevational view of the holder for a digital dental x-ray sensor of FIG. 1;  
FIG. 6 is a side elevational view of the holder for a digital dental x-ray sensor of FIG. 1 and showing the side opposite that of FIG. 5;  
FIG. 7 is a top plan view of the holder for a digital dental x-ray sensor of FIG. 1; and,  
FIG. 8 is a bottom plan view of the holder for a digital dental x-ray sensor of FIG. 1.

**1 Claim, 8 Drawing Sheets**



(56)

**References Cited**

U.S. PATENT DOCUMENTS

2004/0170253 A1 9/2004 Landis et al.  
2005/0190889 A1\* 9/2005 Sisto et al. .... 378/168  
2008/0025467 A1 1/2008 Diederich  
2009/0168953 A1\* 7/2009 Szommer ..... 378/38  
2010/0177875 A1\* 7/2010 Steward et al. .... 378/170  
2010/0322386 A1\* 12/2010 Steck et al. .... 378/191  
2011/0280378 A1\* 11/2011 Feltz et al. .... 378/191  
2011/0299663 A1 12/2011 Steward, Jr.  
2013/0089185 A1\* 4/2013 Winters et al. .... 378/170

FOREIGN PATENT DOCUMENTS

WO 0163357 A1 8/2001  
WO 2007025015 A2 3/2007  
WO 2007061865 A1 5/2007  
WO 2010138684 A1 12/2010

OTHER PUBLICATIONS

International Written Opinion, Application No. 2010/036344, Published May 27, 2010.

\* cited by examiner

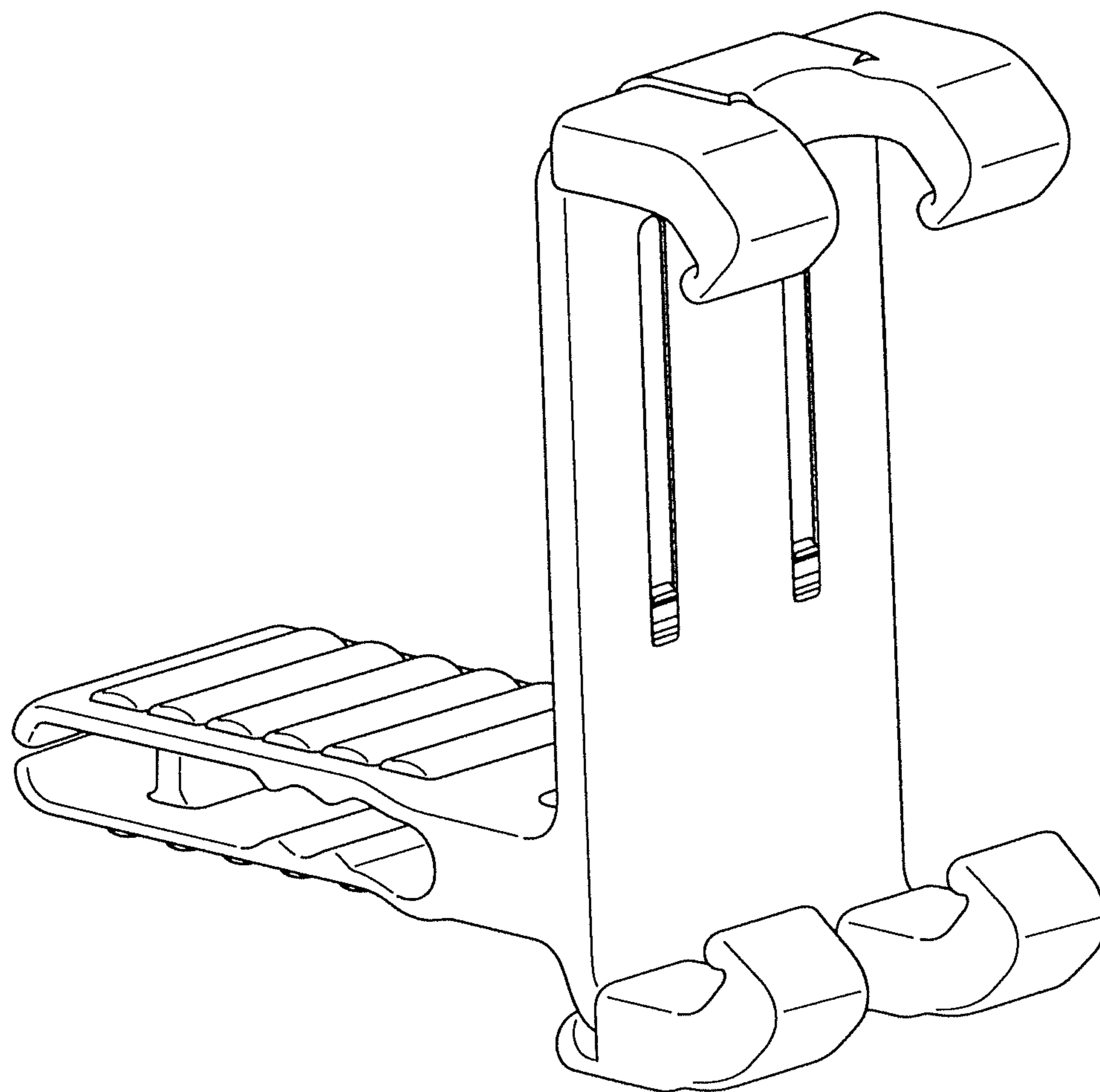


FIG. 1

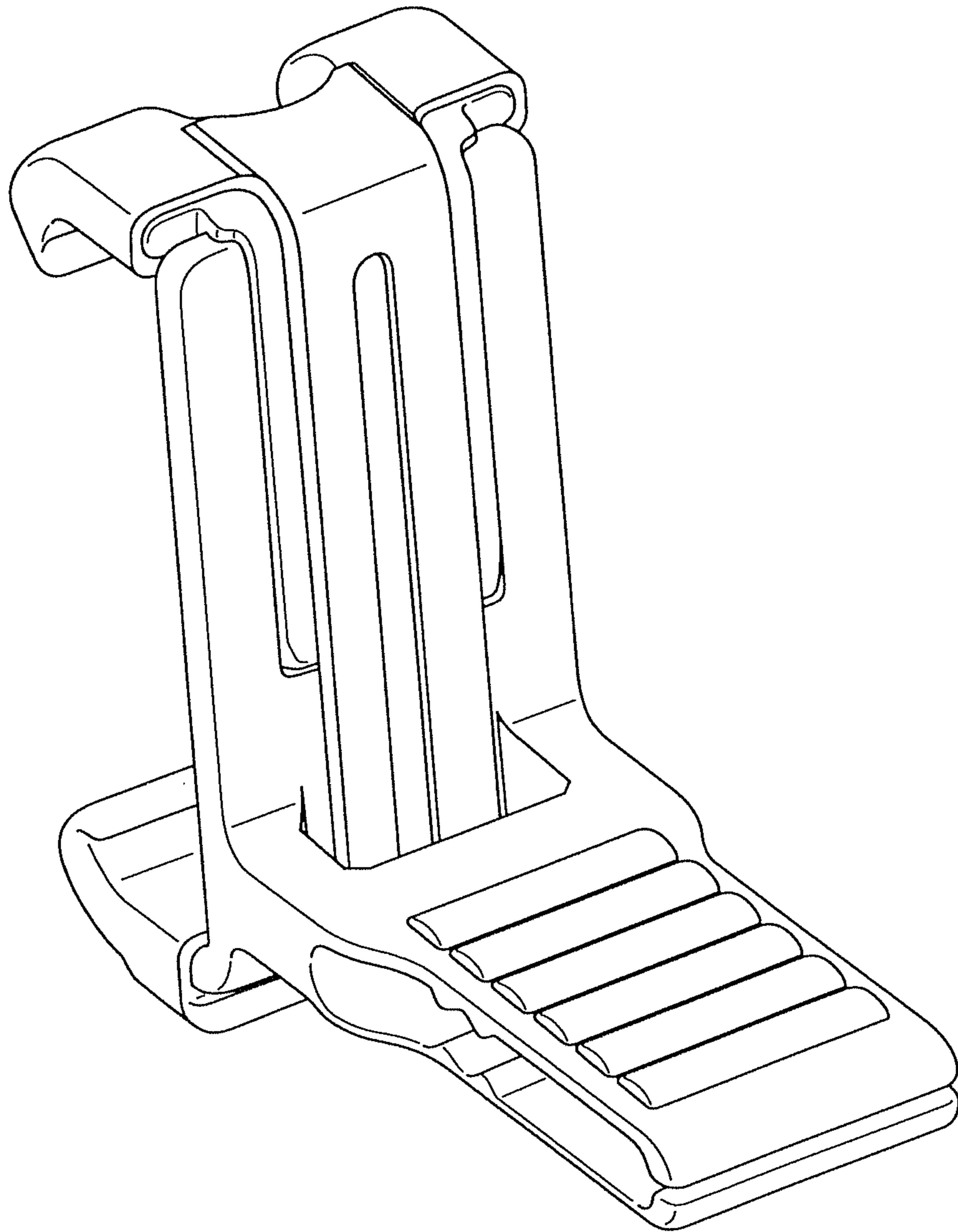


FIG. 2

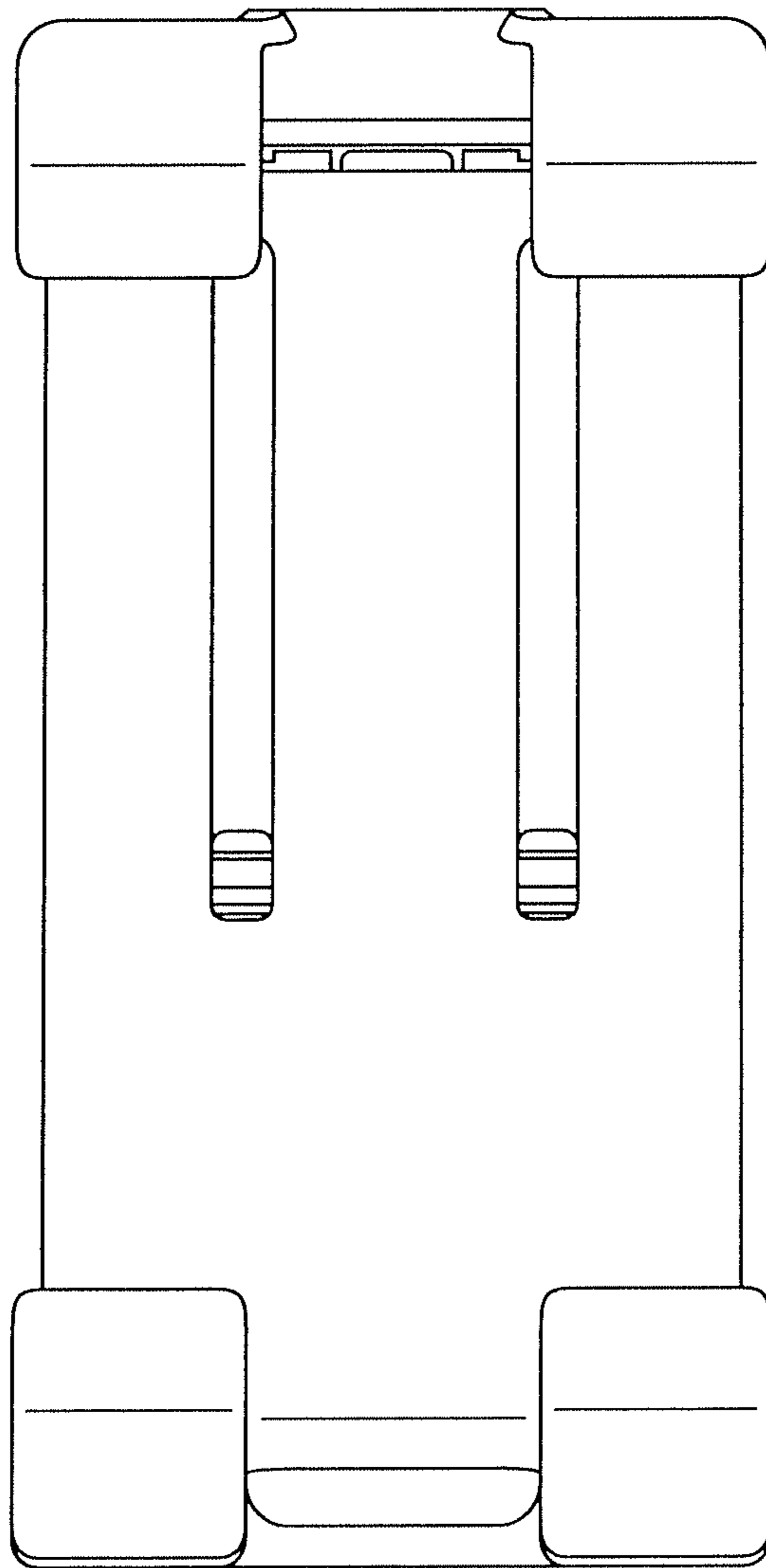


FIG. 3

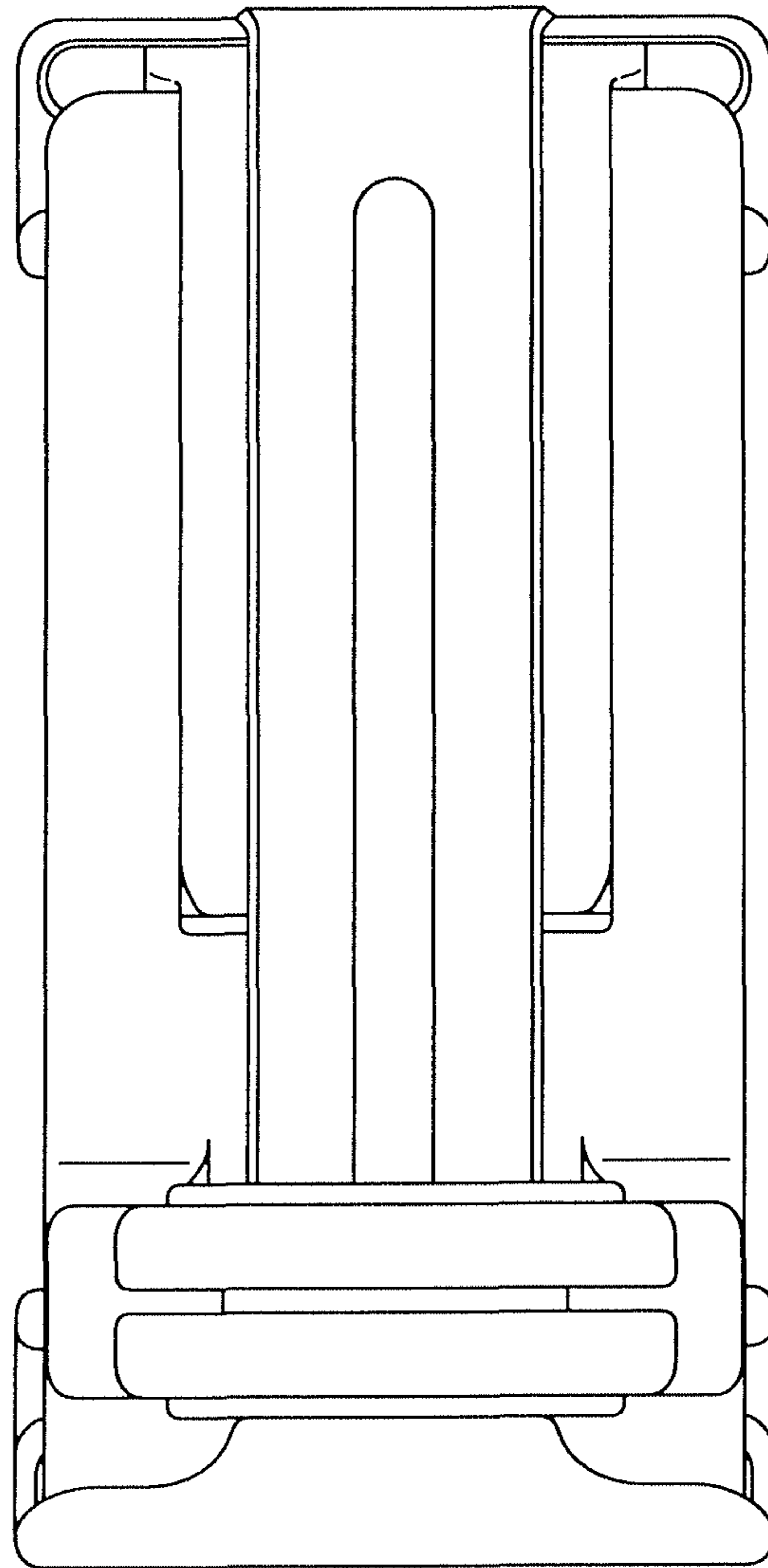


FIG. 4

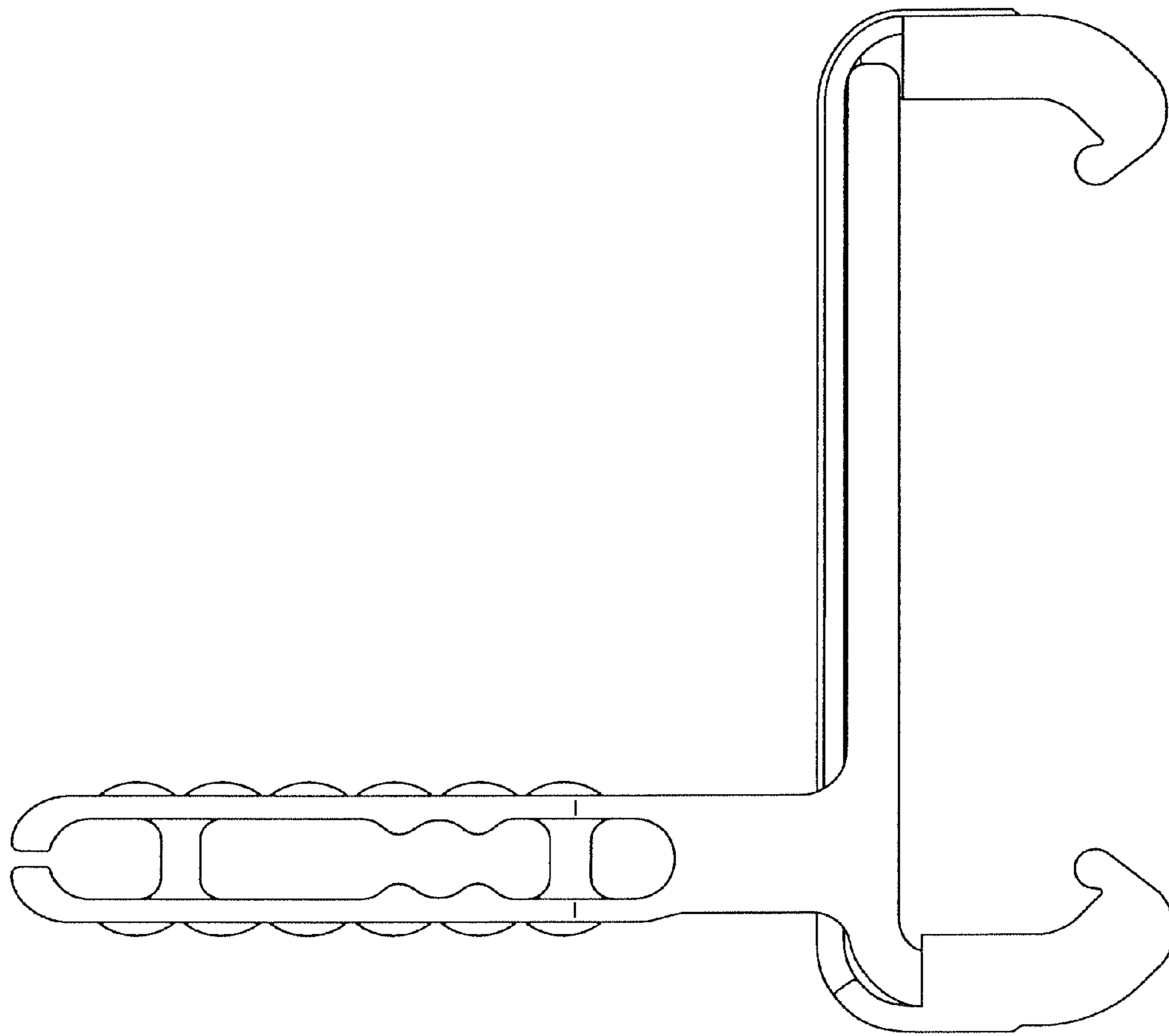


FIG. 5

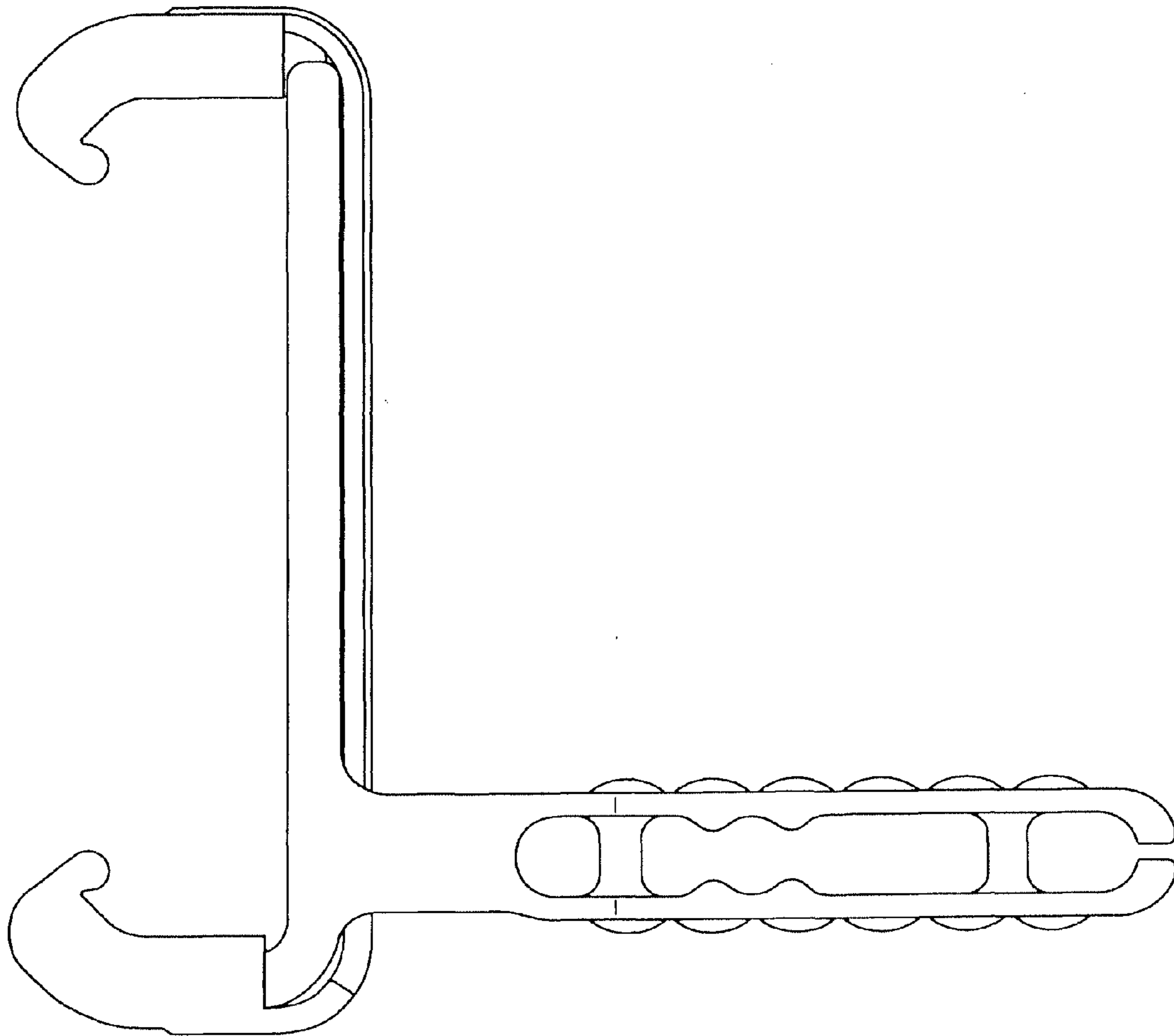


FIG. 6



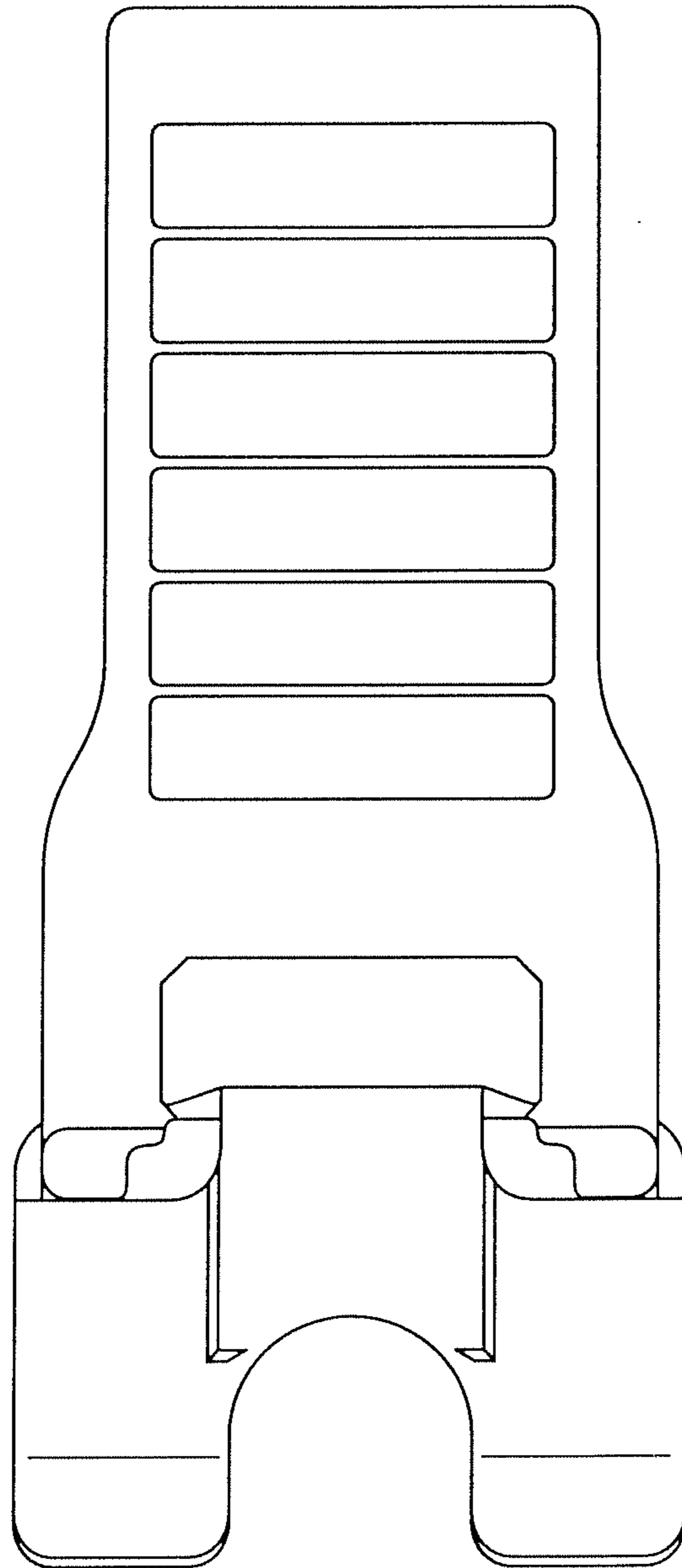


FIG. 7

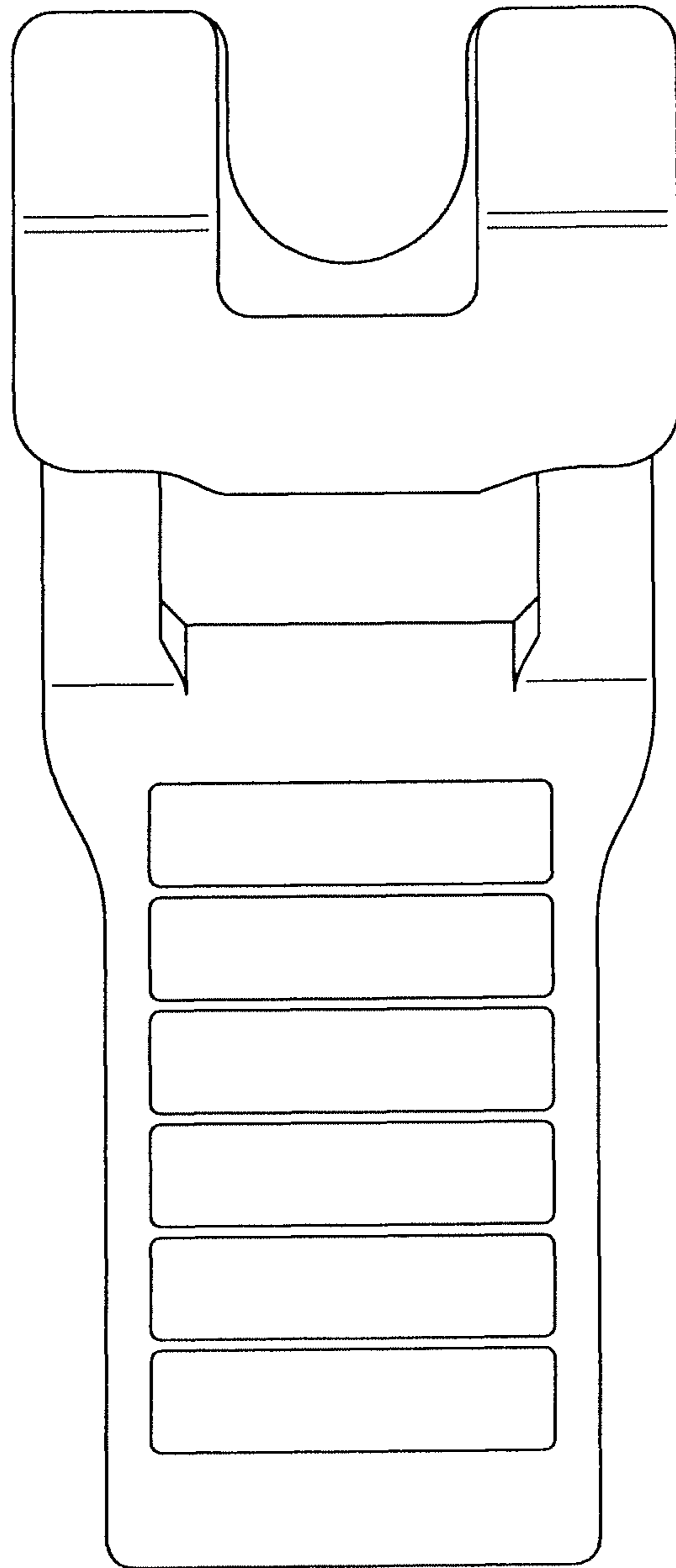


FIG. 8