



US00D698441S

(12) **United States Design Patent**
Meguro et al.

(10) **Patent No.:** **US D698,441 S**
(45) **Date of Patent:** **** Jan. 28, 2014**

(54) **ENDOSCOPE**

(75) Inventors: **Chikayoshi Meguro**, Tokyo (JP);
Takahiko Kato, Tokyo (JP)

(73) Assignee: **Olympus Corporation**, Tokyo (JP)

(**) Term: **14 Years**

(21) Appl. No.: **29/426,857**

(22) Filed: **Jul. 11, 2012**

(30) **Foreign Application Priority Data**

Jan. 20, 2012 (JP) 2012-001058
Jan. 20, 2012 (JP) 2012-001062

(51) **LOC (10) Cl.** **24-02**

(52) **U.S. Cl.**
USPC **D24/138**

(58) **Field of Classification Search**
USPC D24/138, 137, 133, 135, 140;
600/101-183

See application file for complete search history.

(56) **References Cited**

U.S. PATENT DOCUMENTS

4,782,819 A * 11/1988 Adair 600/109
D381,076 S * 7/1997 Thornton et al. D24/138
D384,743 S * 10/1997 Chia D24/133
6,183,435 B1 * 2/2001 Bumbalough et al. 604/95.01

D441,447 S * 5/2001 Hjertman et al. D24/150
6,485,411 B1 * 11/2002 Konstorum et al. 600/139
6,749,560 B1 * 6/2004 Konstorum et al. 600/143
D535,393 S * 1/2007 Pilvisto et al. D24/138
D581,052 S * 11/2008 Root et al. D24/138
D612,052 S * 3/2010 McCollam et al. D24/150
8,152,715 B2 * 4/2012 Root et al. 600/131
2005/0209508 A1 * 9/2005 Aono et al. 600/140
2013/0012781 A1 * 1/2013 Kaneko 600/148

* cited by examiner

Primary Examiner — Bridget L Eland

(74) *Attorney, Agent, or Firm* — Holtz, Holtz, Goodman & Chick, PC

(57) **CLAIM**

The ornamental design for an endoscope, as shown and described.

DESCRIPTION

FIG. 1 is a perspective view from the front side of an endoscope showing our new ornamental design; FIG. 2 is a perspective view from the rear side thereof; FIG. 3 is a front elevation view thereof; FIG. 4 is a rear elevation view thereof; FIG. 5 is a top plan view thereof; FIG. 6 is a bottom plan view thereof; FIG. 7 is a left side elevation view thereof; and, FIG. 8 is a right side elevation view thereof. The tube shown in FIGS. 1-8 is drawn broken away to indicate that no particular length is claimed.

1 Claim, 7 Drawing Sheets

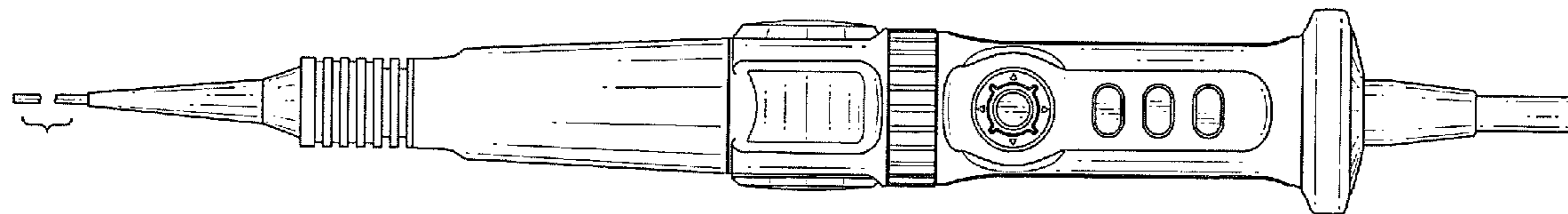
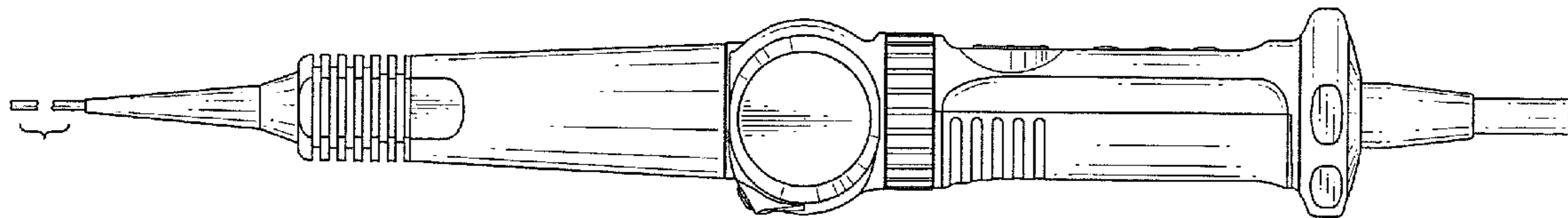


FIG. 1

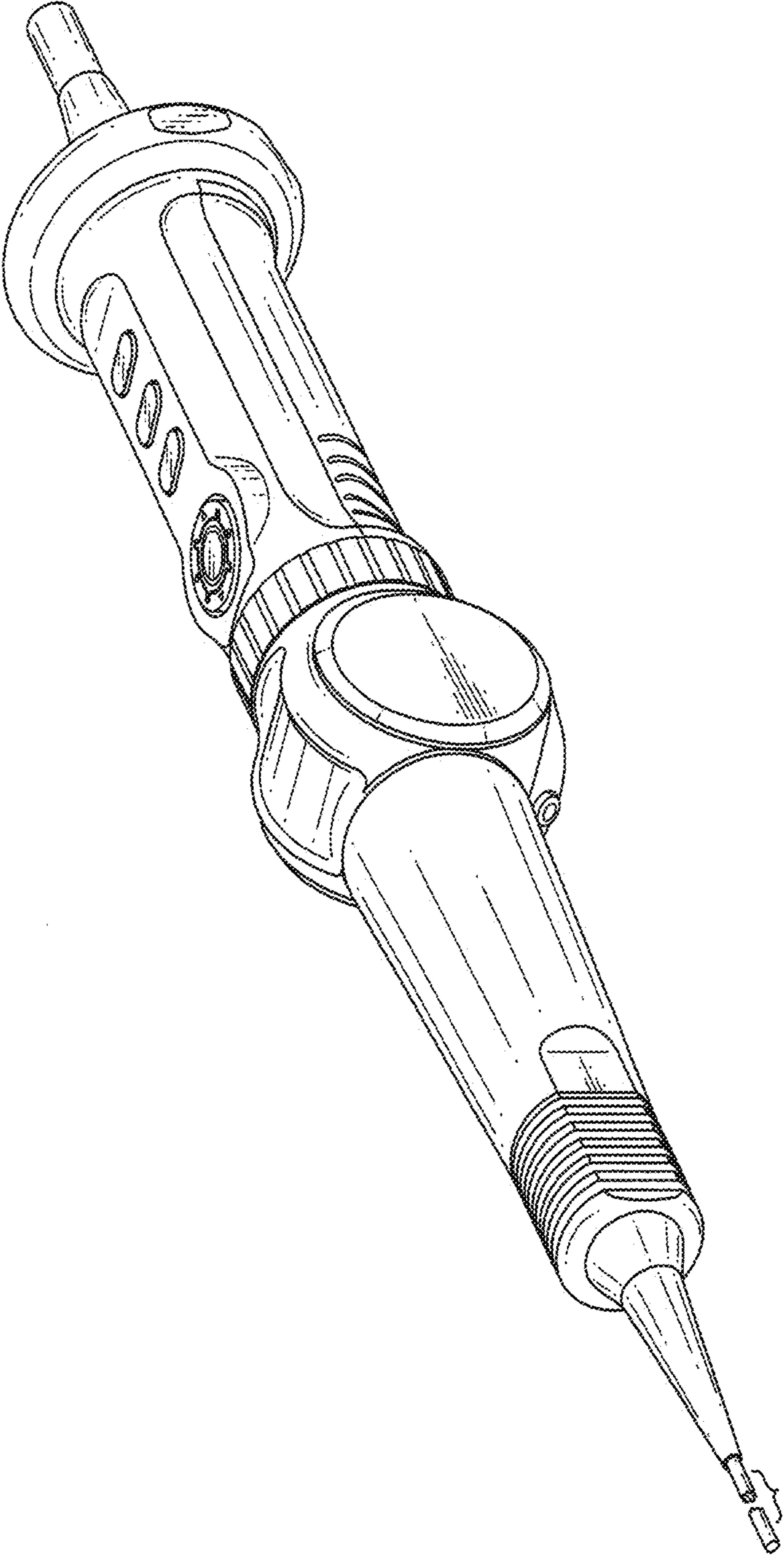


FIG. 2

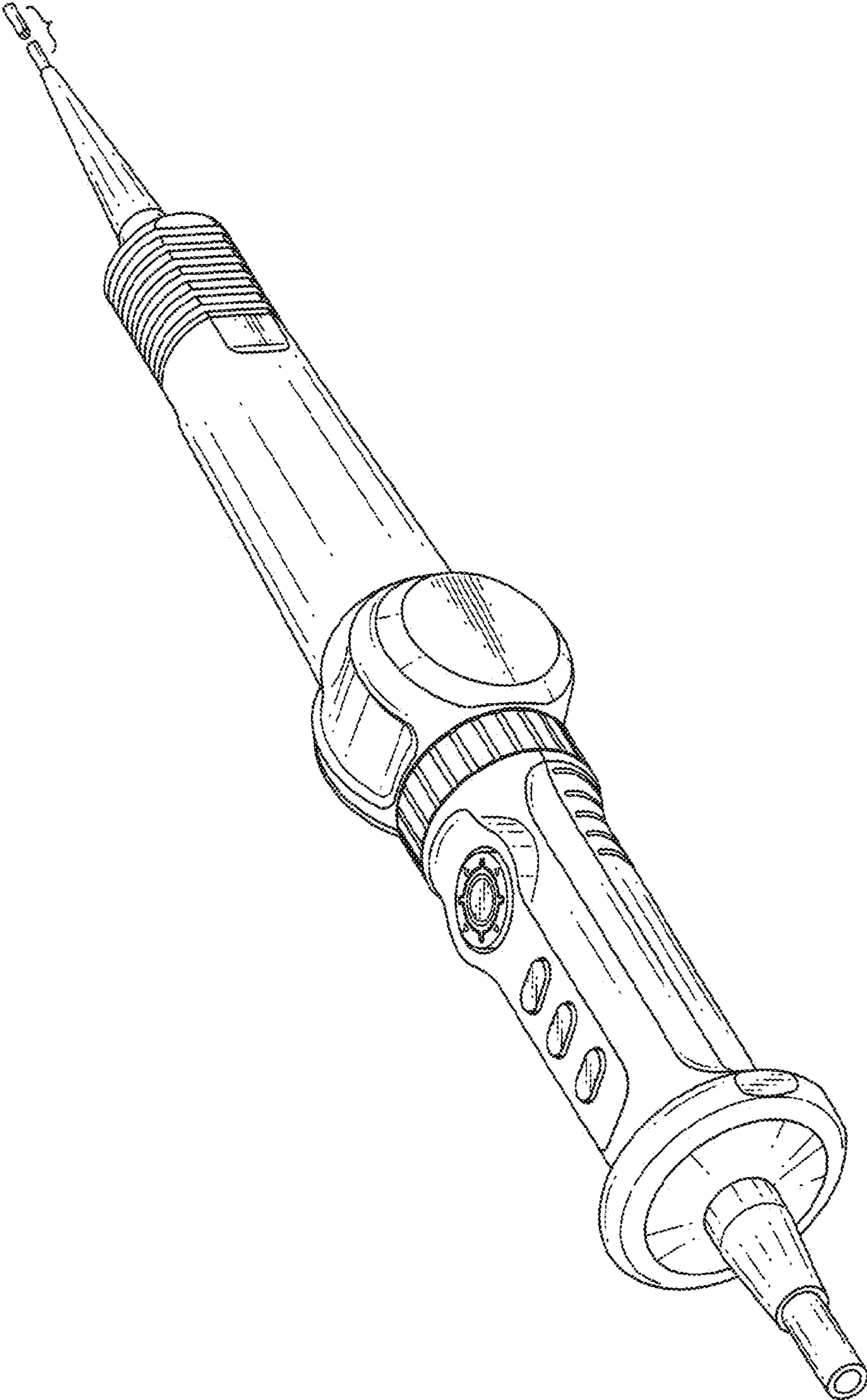


FIG. 3

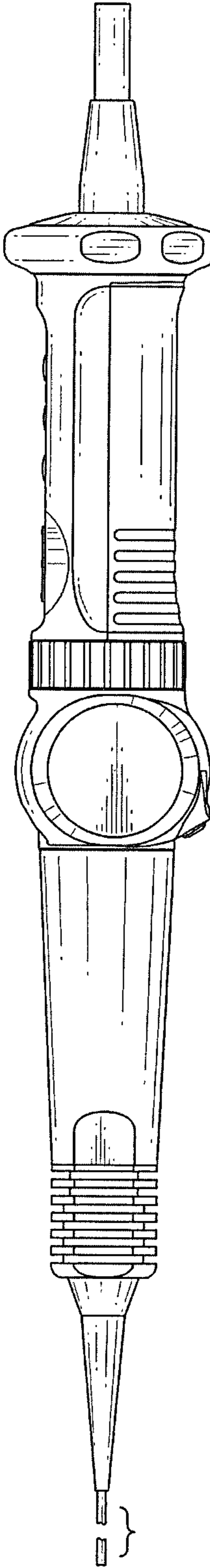


FIG. 4

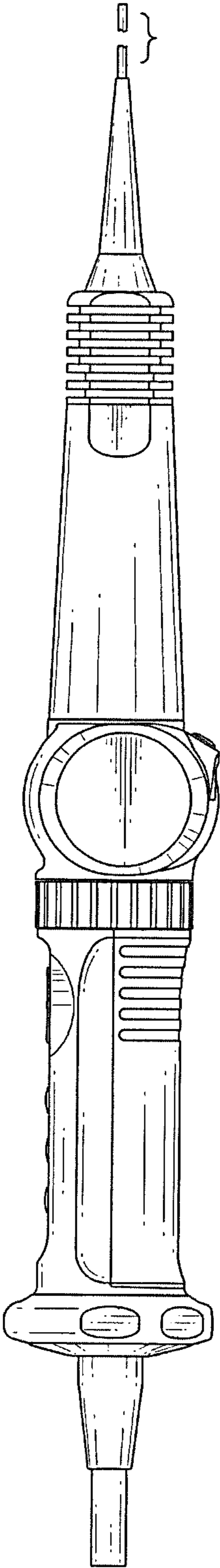


FIG. 5

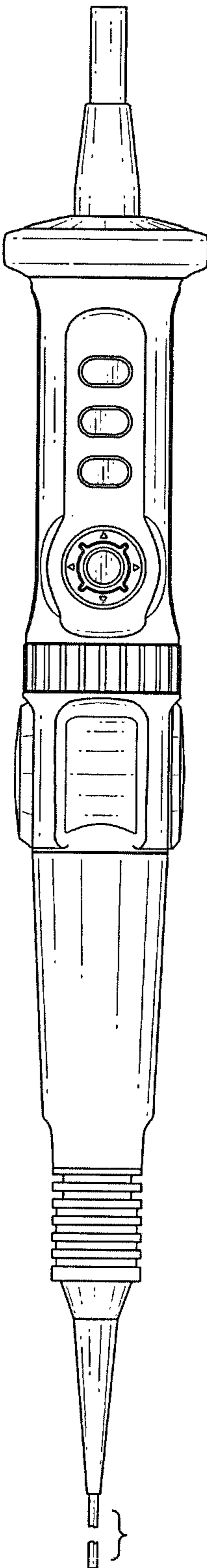


FIG. 6

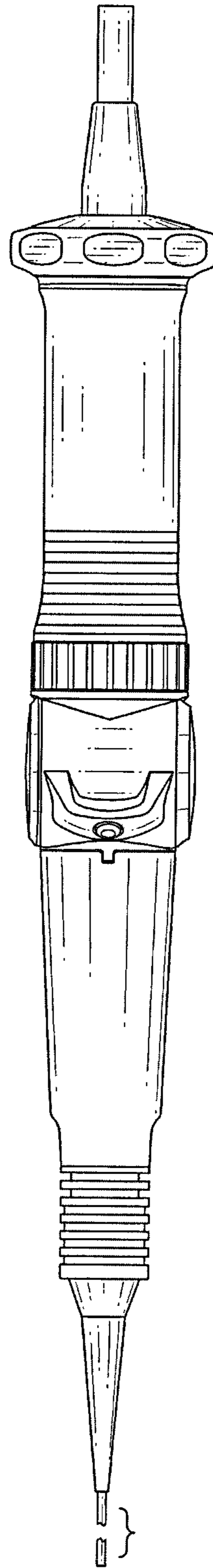


FIG. 8

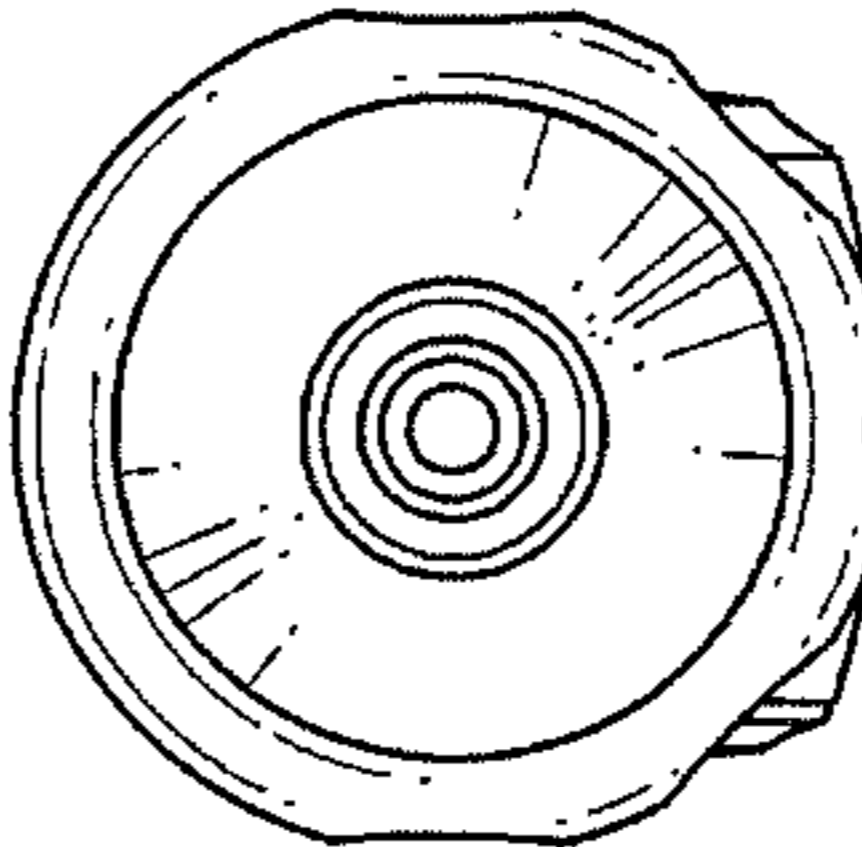


FIG. 7

