



US00D698438S

(12) **United States Design Patent**  
**Xu et al.**

(10) **Patent No.:** **US D698,438 S**  
(45) **Date of Patent:** **\*\* Jan. 28, 2014**

(54) **INFUSION TRANSFER SYSTEM**

(75) Inventors: **Chunxia Xu**, Suzhou (CN); **Qunhua Li**,  
Suzhou (CN); **Ming Ji**, Suzhou (CN)

(73) Assignee: **Maquet (Suzhou) Co., Ltd.**, Suzhou  
(CN)

(\*\*) Term: **14 Years**

(21) Appl. No.: **29/389,903**

(22) Filed: **Apr. 18, 2011**

(30) **Foreign Application Priority Data**

Oct. 18, 2010 (CN) ..... 2010 3 0558928

(51) **LOC (10) Cl.** ..... **24-01**

(52) **U.S. Cl.**  
USPC ..... **D24/108**

(58) **Field of Classification Search**  
USPC ..... D24/108, 111, 113, 114, 118, 121, 127,  
D24/128, 129, 164, 167, 169, 186; 210/645,  
210/646; 248/121, 124.1; 604/6.09, 6.11,  
604/6.16, 21, 26, 27, 30, 80, 150, 151, 154;  
606/10

See application file for complete search history.

(56) **References Cited**

U.S. PATENT DOCUMENTS

3,034,504	A *	5/1962	Winsor et al. ....	604/254
3,731,679	A *	5/1973	Wilhelmson et al. ....	604/121
3,901,231	A *	8/1975	Olson .....	604/152
D260,816	S *	9/1981	Zissimopoulos et al. ....	D24/128
D385,348	S *	10/1997	Ward et al. ....	D24/128
5,772,162	A *	6/1998	Lin .....	248/121
D404,813	S *	1/1999	Hauser .....	D24/111
D542,911	S *	5/2007	Joyce et al. ....	D24/108
2009/0050756	A1 *	2/2009	Newkirk et al. ....	248/176.1
2009/0294604	A1 *	12/2009	Sunderland .....	248/124.1
2009/0314906	A1 *	12/2009	Cote .....	248/98

\* cited by examiner

*Primary Examiner* — Derrick Holland

(74) *Attorney, Agent, or Firm* — The Webb Law Firm

(57) **CLAIM**

The ornamental design for an infusion transfer system, as shown and described.

**DESCRIPTION**

FIG. 1 is a top view of an infusion transfer system showing our new design;

FIG. 2 is a front view thereof;

FIG. 3 is a bottom view thereof;

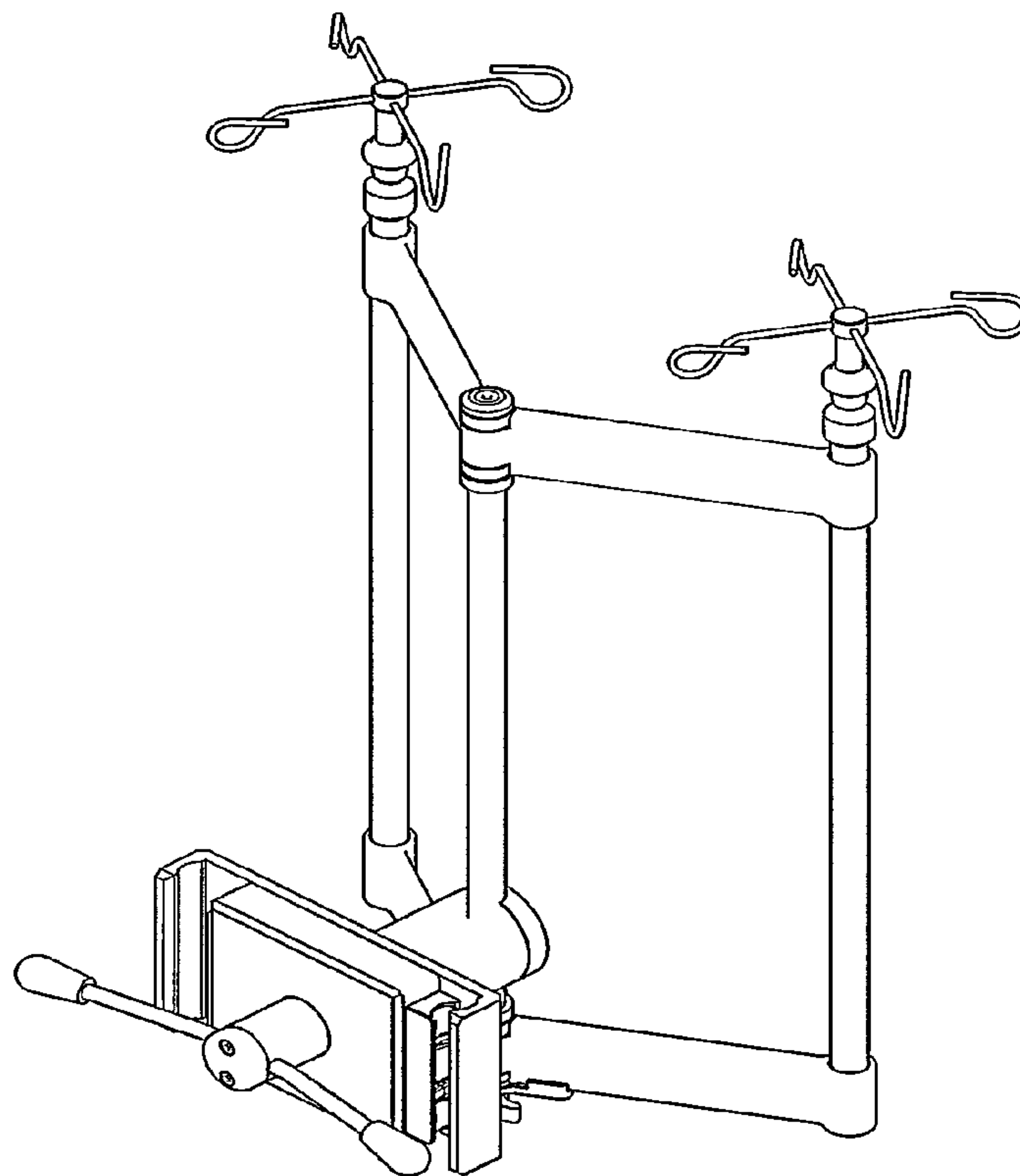
FIG. 4 is a back view thereof;

FIG. 5 is a left side view thereof;

FIG. 6 is a right side view thereof; and,

FIG. 7 is a perspective view thereof.

**1 Claim, 3 Drawing Sheets**



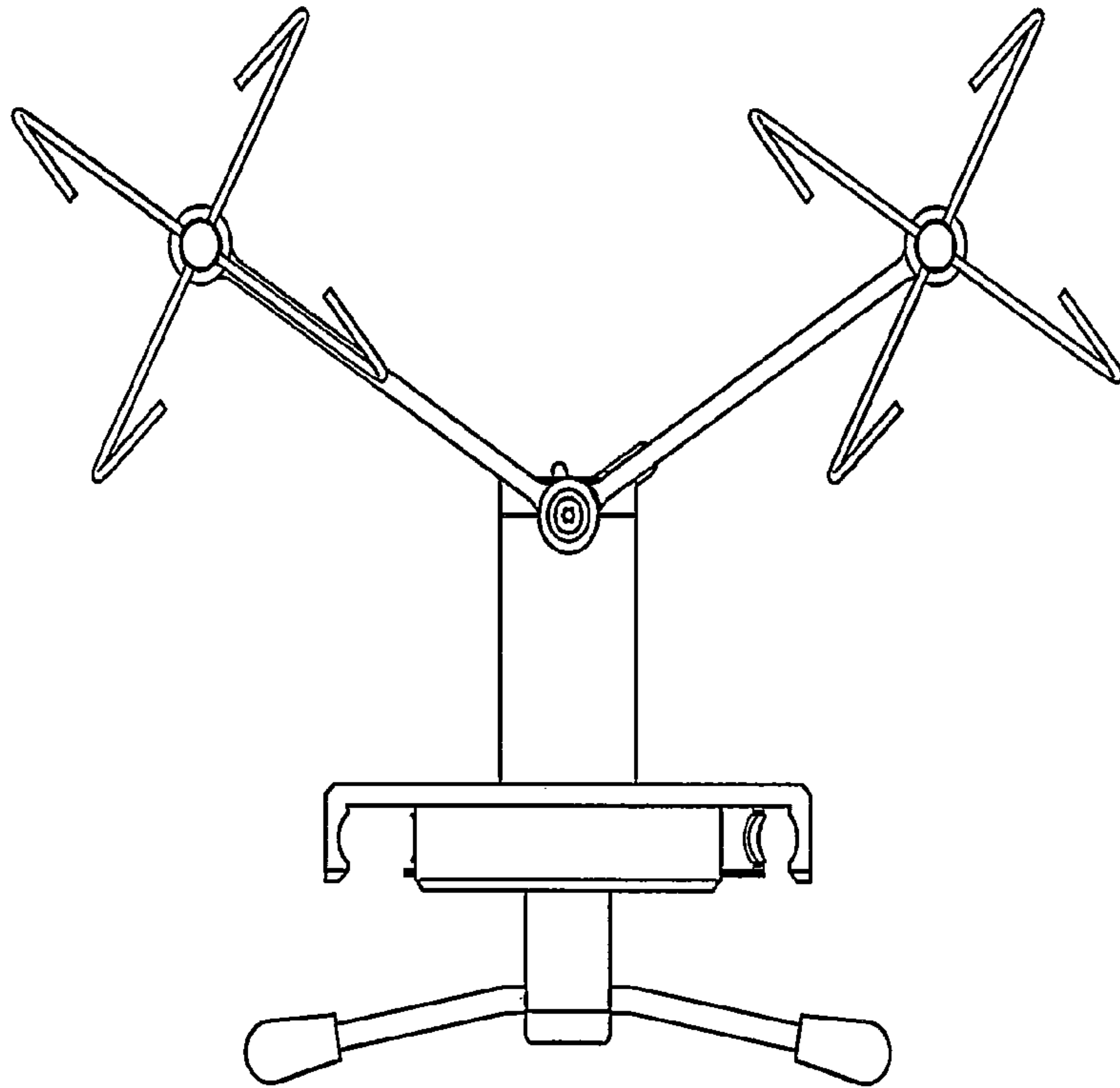


FIG 1

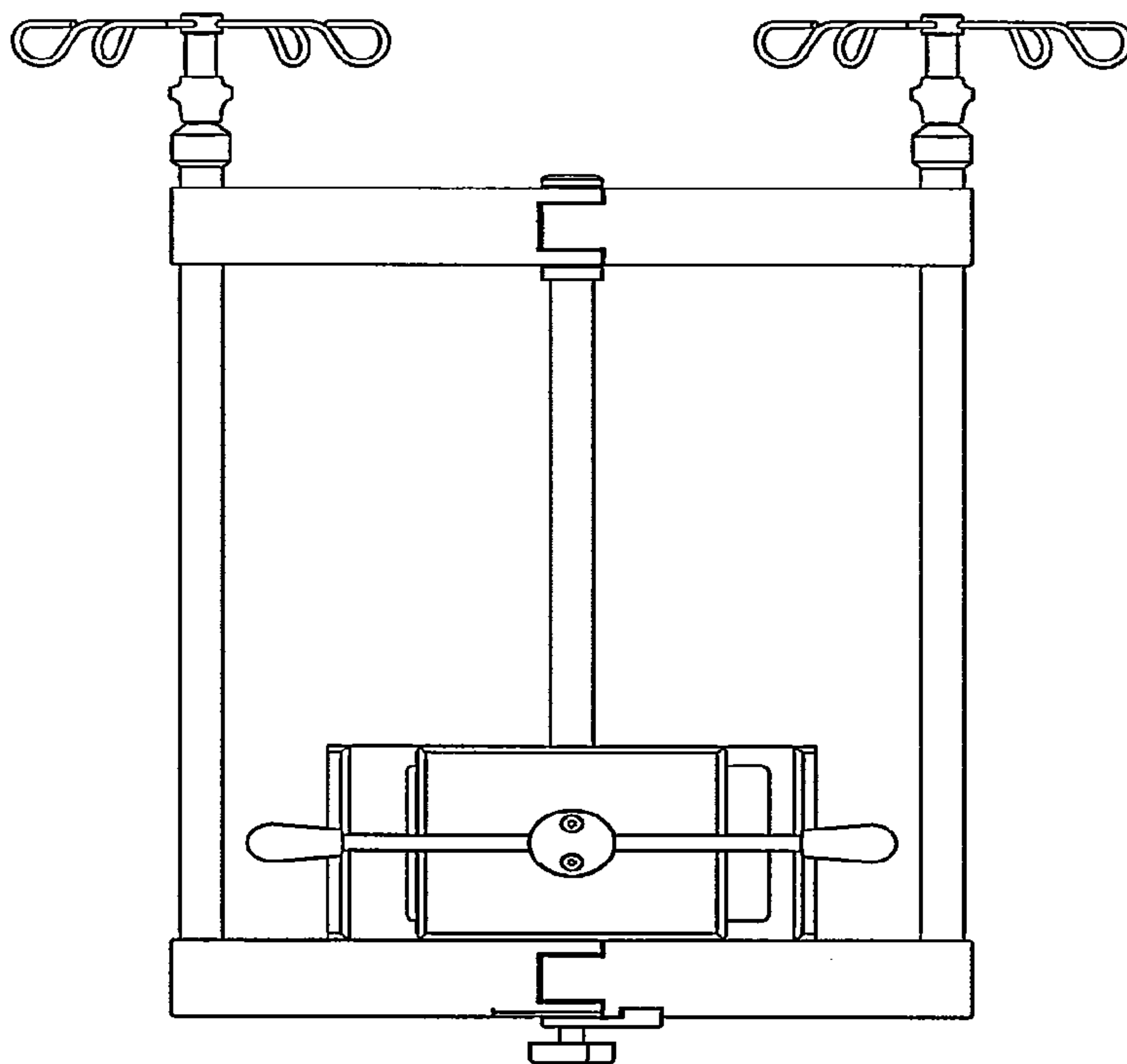


FIG 2

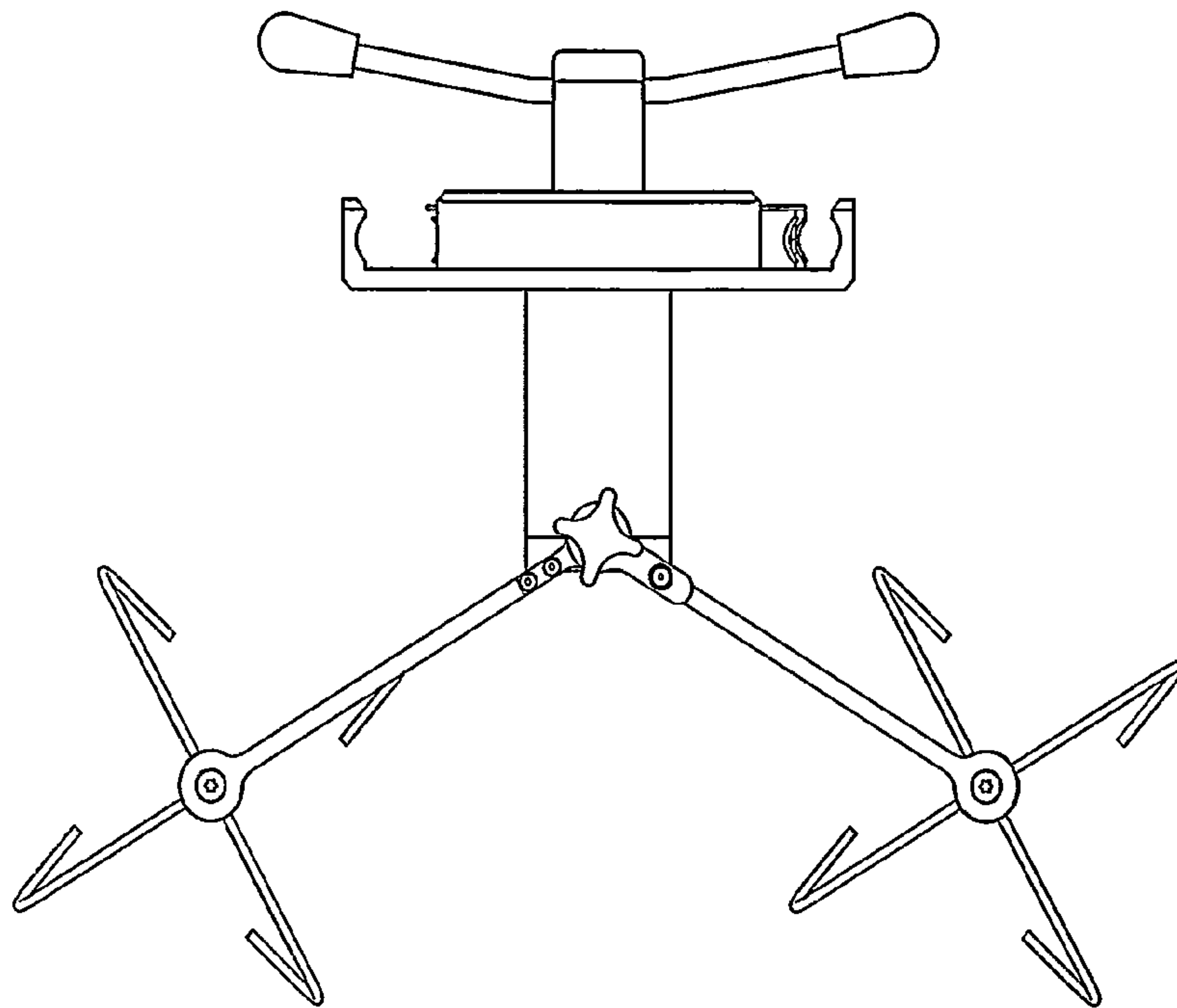


FIG 3

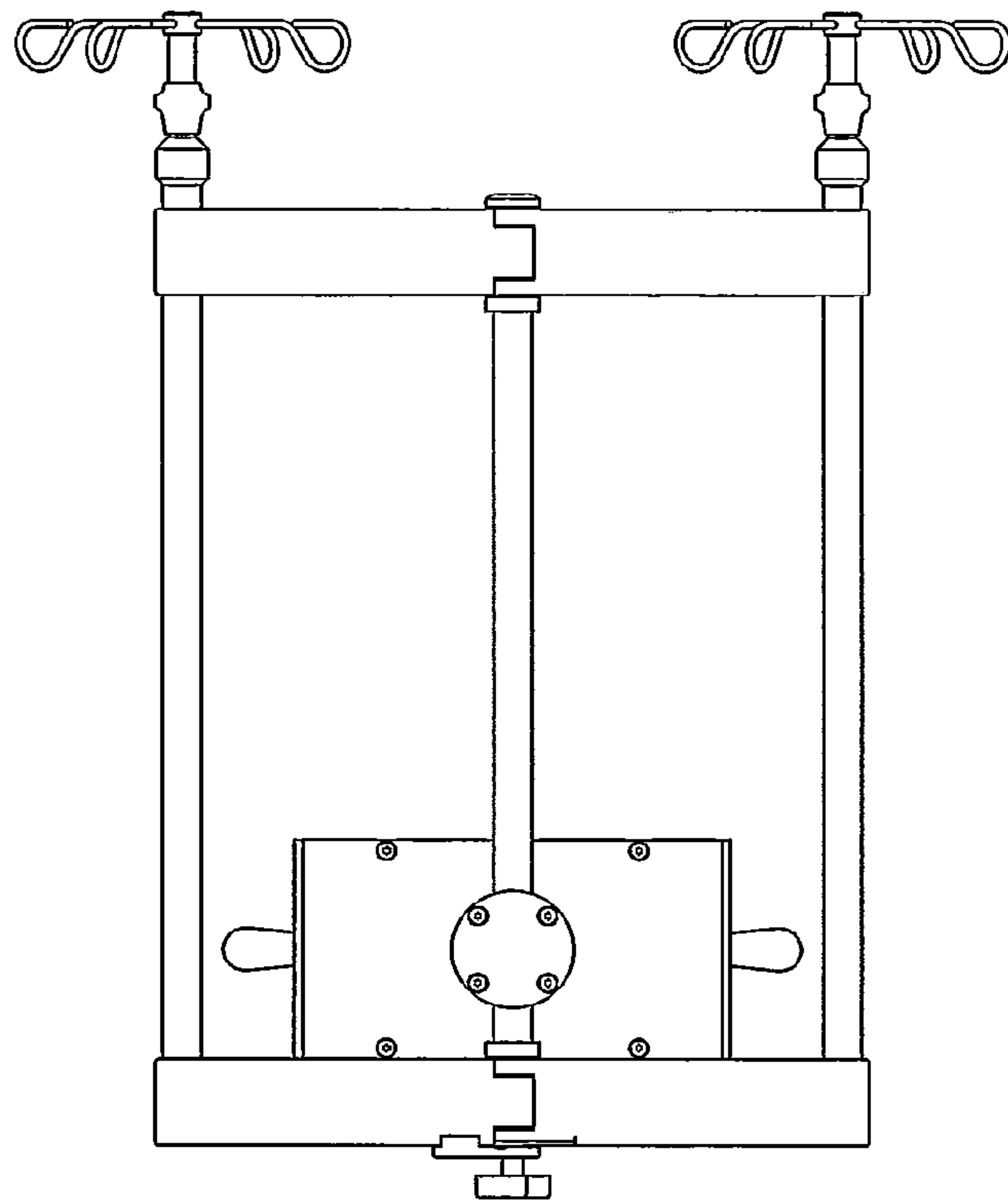


FIG 4

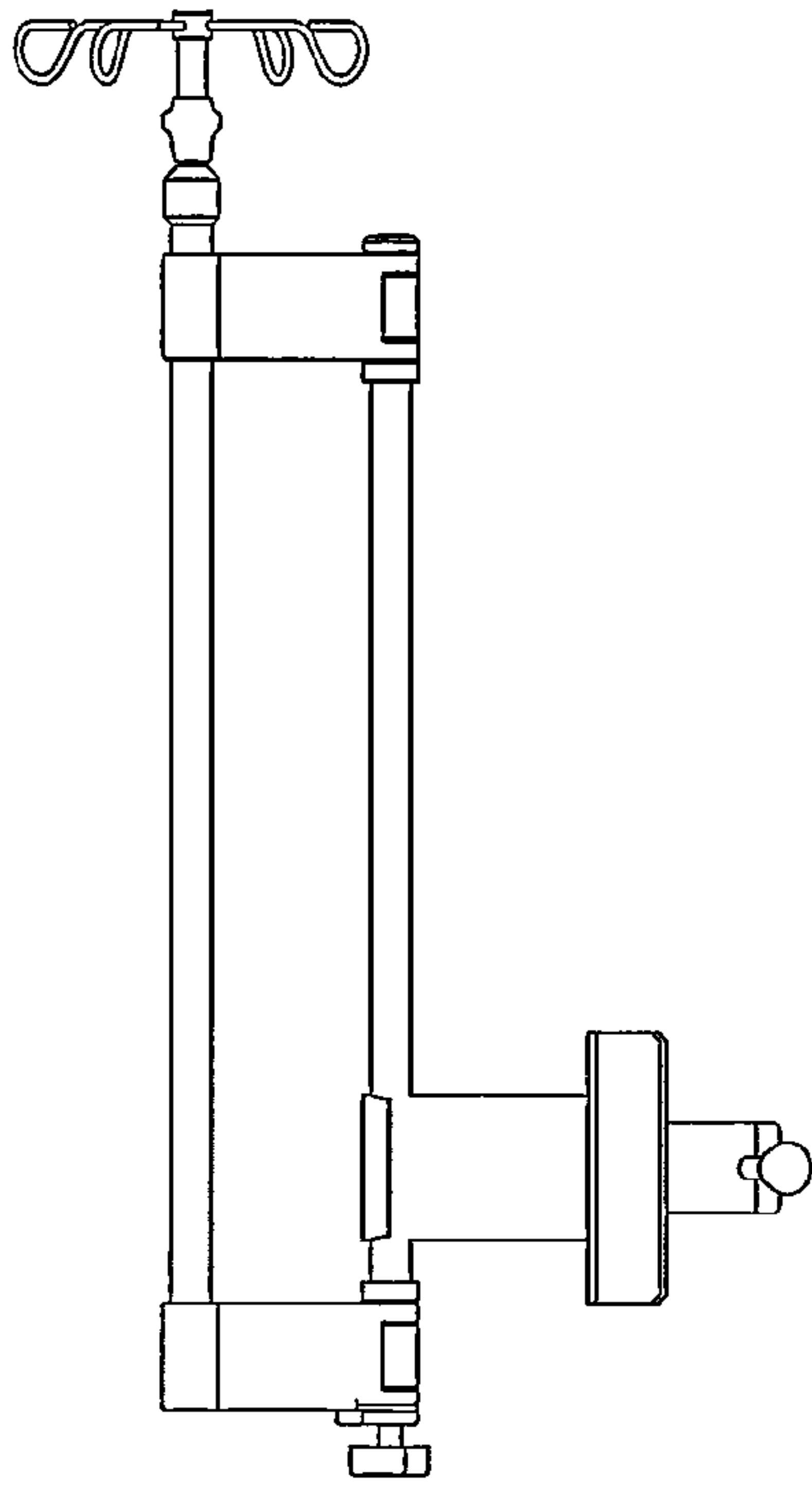


FIG 5

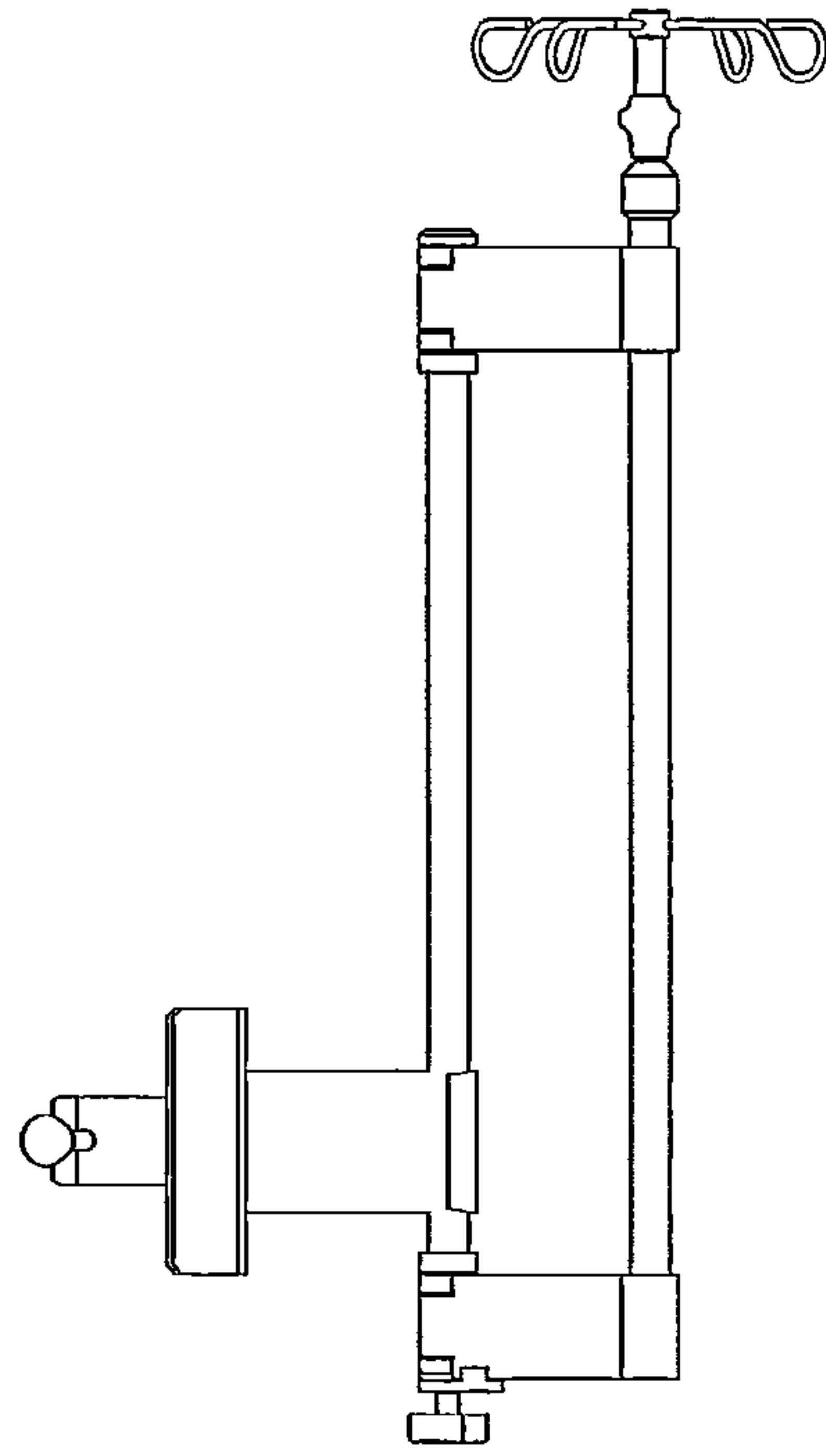


FIG 6

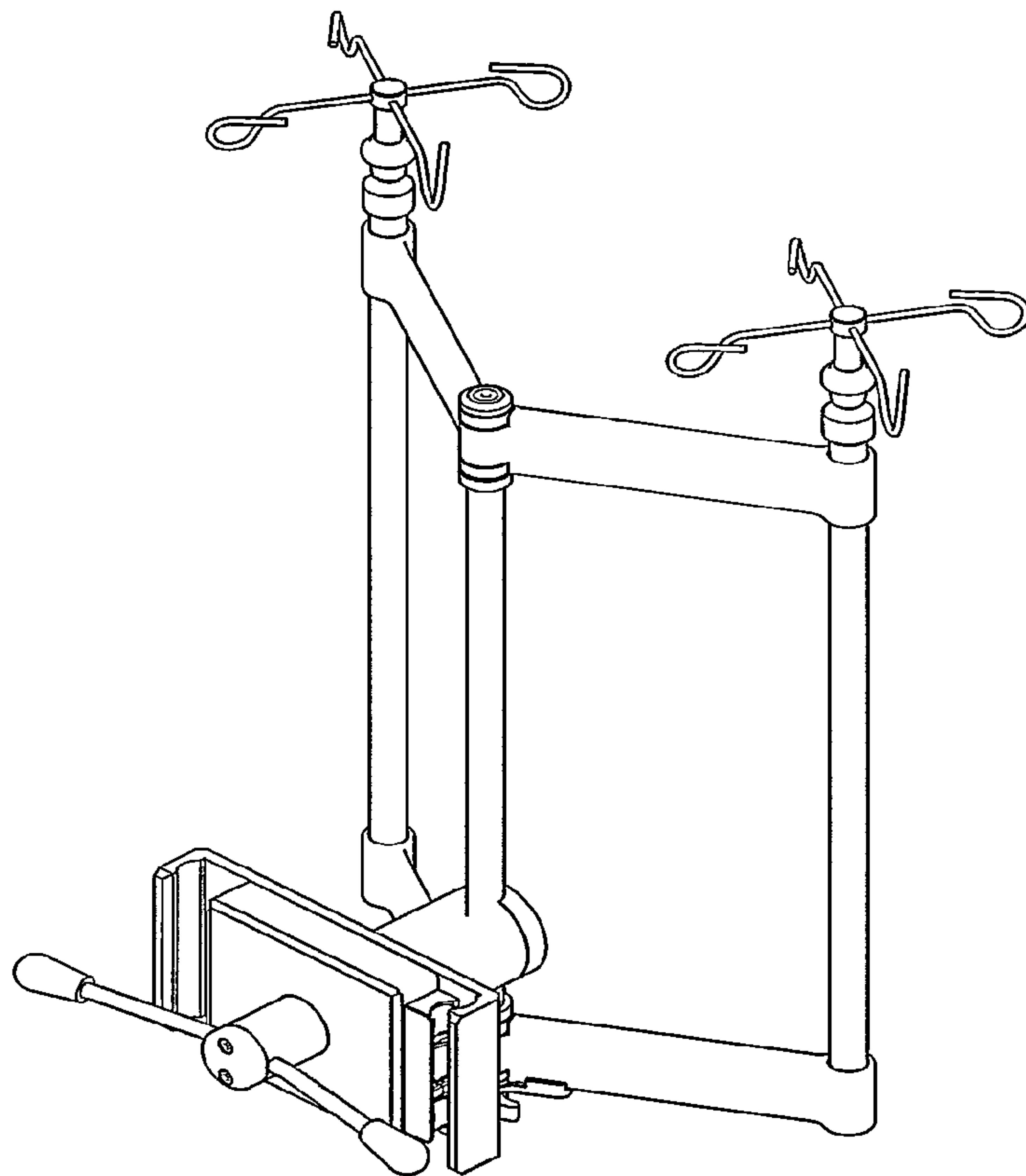


FIG 7