



US00D698436S

(12) **United States Design Patent**
Patel

(10) **Patent No.:** **US D698,436 S**

(45) **Date of Patent:** **** Jan. 28, 2014**

(54) **CENTER MIST FAN HUB**

(71) Applicant: **Bashil Mahendrakumar Patel,**
Richmond, TX (US)

(72) Inventor: **Bashil Mahendrakumar Patel,**
Richmond, TX (US)

(73) Assignee: **Bashil Mahendrakumar Patel,**
Richmond, TX (US)

(**) Term: **14 Years**

(21) Appl. No.: **29/430,672**

(22) Filed: **Sep. 17, 2012**

(51) **LOC (10) Cl.** **23-04**

(52) **U.S. Cl.**
USPC **D23/411; D23/328**

(58) **Field of Classification Search**
USPC D23/213, 228, 239, 317, 330, 332-342,
D23/351-360, 363, 364, 370-379, 381-383,
D23/385-388, 393, 394, 399, 411-414;
454/237-253, 186, 228-236, 192;
52/302.1; 417/423.1, 423.14;
415/182.1, 200, 90, 68, 214.1;
416/244 R, 246, 247 R; D6/309;
D21/430, 436, 442, 447, 450, 453,
D21/458; 5/421, 423; 239/77, 214, 214.2;
62/91

See application file for complete search history.

(56) **References Cited**

U.S. PATENT DOCUMENTS

6,086,053 A * 7/2000 Natschke et al. 261/30
6,257,501 B1 * 7/2001 Roach et al. 239/289

6,471,194 B2 * 10/2002 Keeney 261/30
6,786,701 B1 * 9/2004 Huang et al. 417/199.1
7,086,843 B2 * 8/2006 Cheng 417/423.1
D544,078 S * 6/2007 Geringer D23/328
D553,227 S * 10/2007 Chen D23/328
D554,242 S * 10/2007 Chen D23/328
7,806,388 B2 * 10/2010 Junkel et al. 261/28
D631,148 S * 1/2011 Benton et al. D23/370
D676,536 S * 2/2013 Roach et al. D23/328
2013/0019619 A1 * 1/2013 Forbes et al. 62/91

* cited by examiner

Primary Examiner — Susan Bennett Hattan

Assistant Examiner — Janice Hallmark

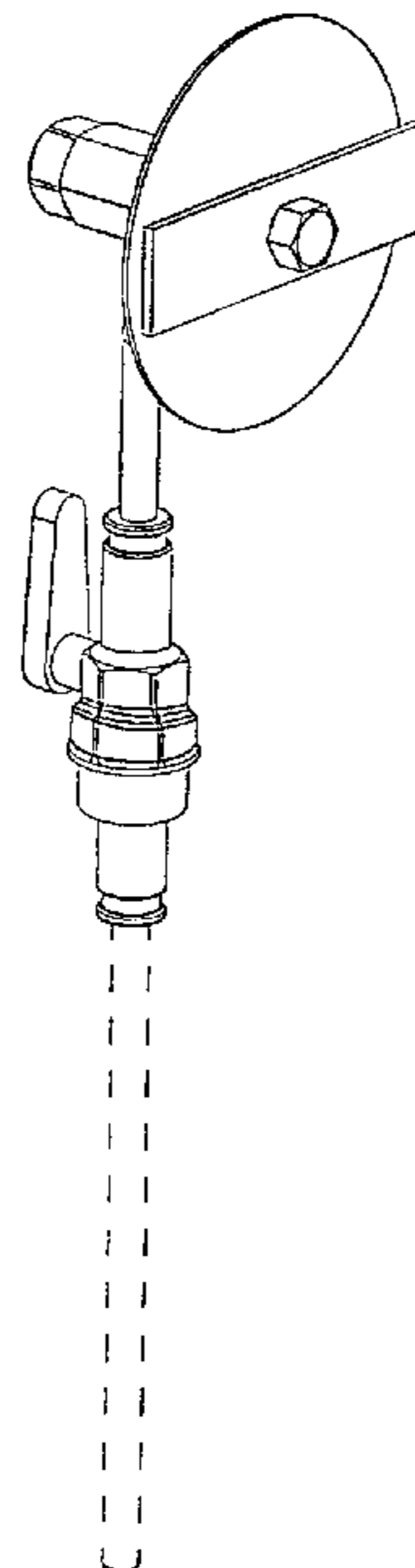
(57) **CLAIM**

The ornamental design for a center mist fan hub, as shown and described.

DESCRIPTION

FIG. 1 is a left, top, front perspective view of a center mist fan hub; the right side being a mirror image thereof;
FIG. 2 is a left, top, and back perspective view thereof; the right side view being a mirror image thereof;
FIG. 3 is a back view thereof;
FIG. 4 is a left side view thereof; the right side being a mirror image;
FIG. 5 is a front view thereof;
FIG. 6 is a front view thereof shown attached to a fan in an environment of use; and,
FIG. 7 is a left side view thereof attached to a fan in an environment of use; the right side being a mirror image.
The broken line showing of environmental structure forms no part of the claimed design.

1 Claim, 7 Drawing Sheets



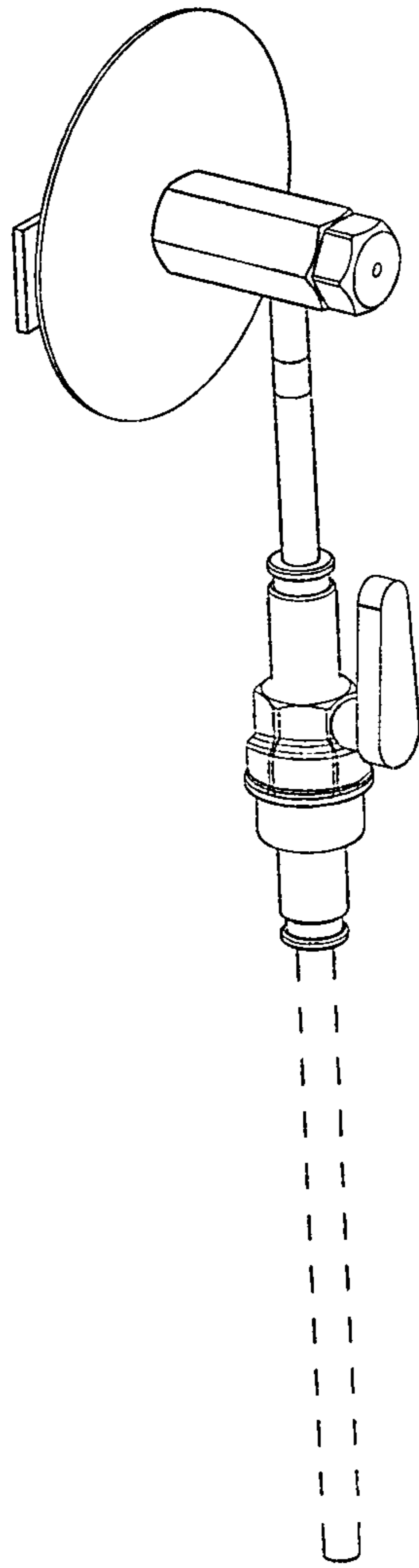


FIGURE-1

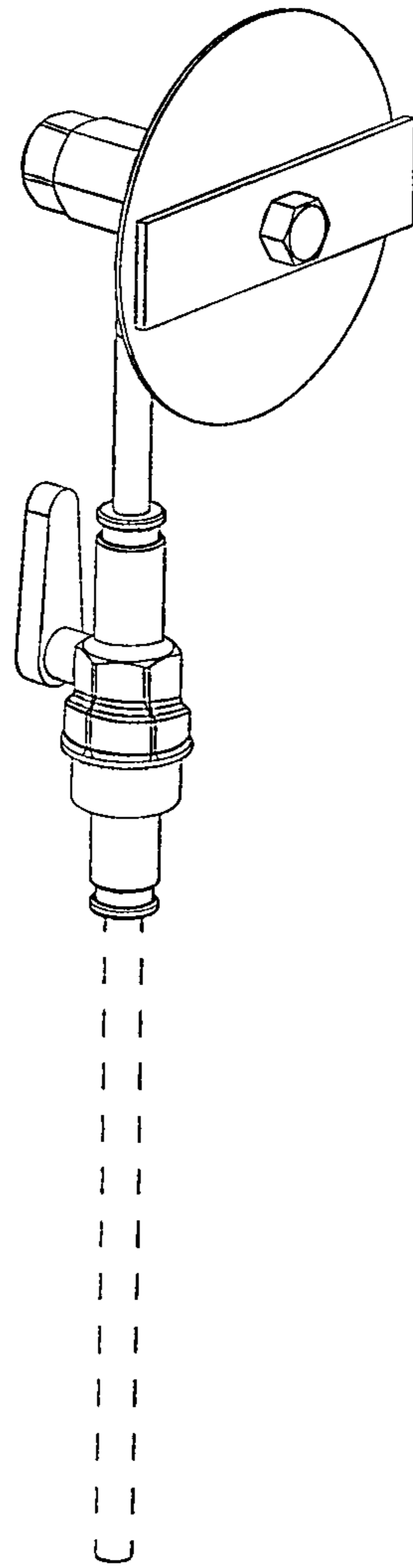


FIGURE-2

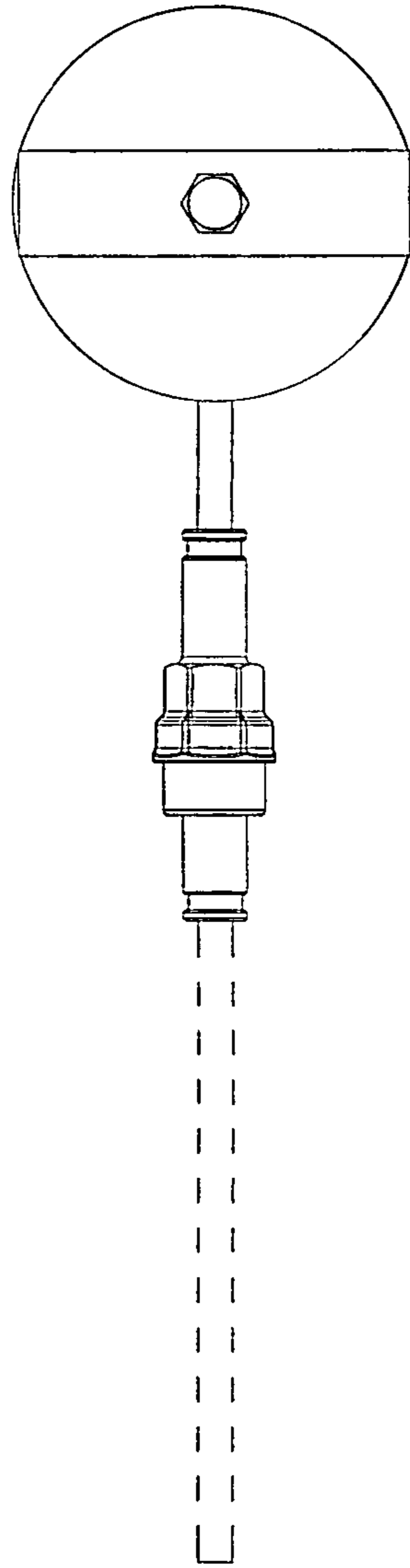


FIGURE-3

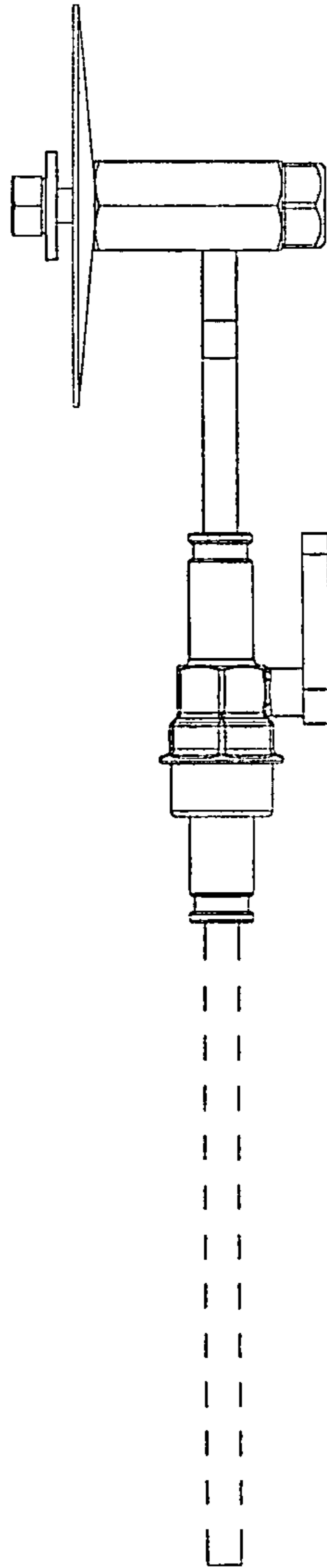


FIGURE-4

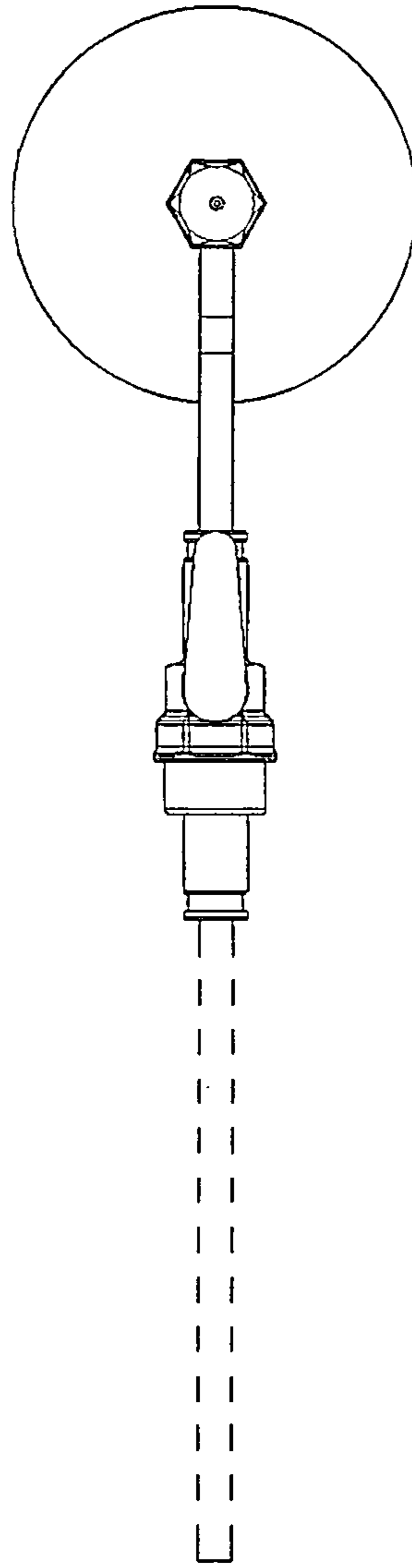


FIGURE-5

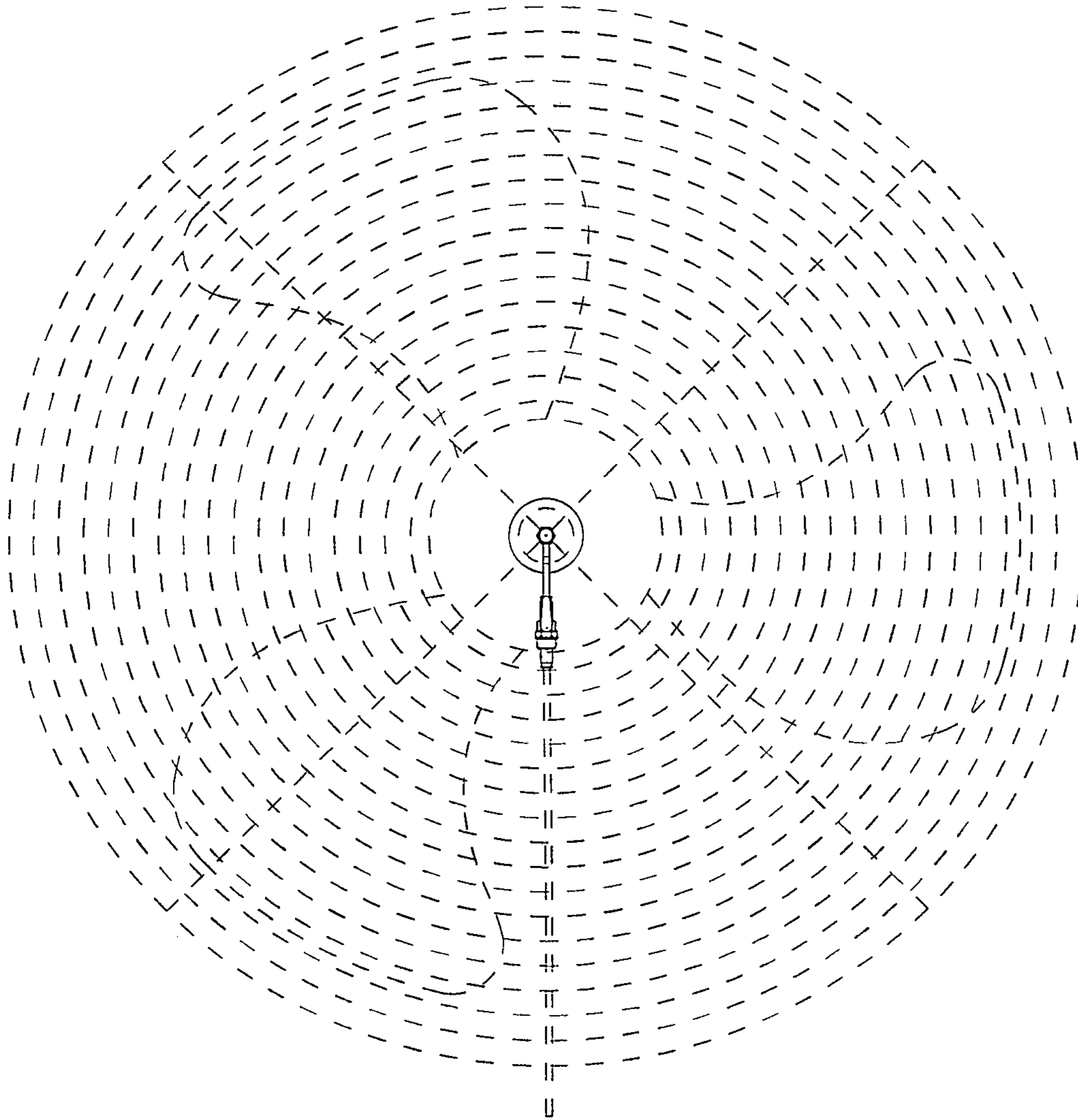


FIGURE - 6

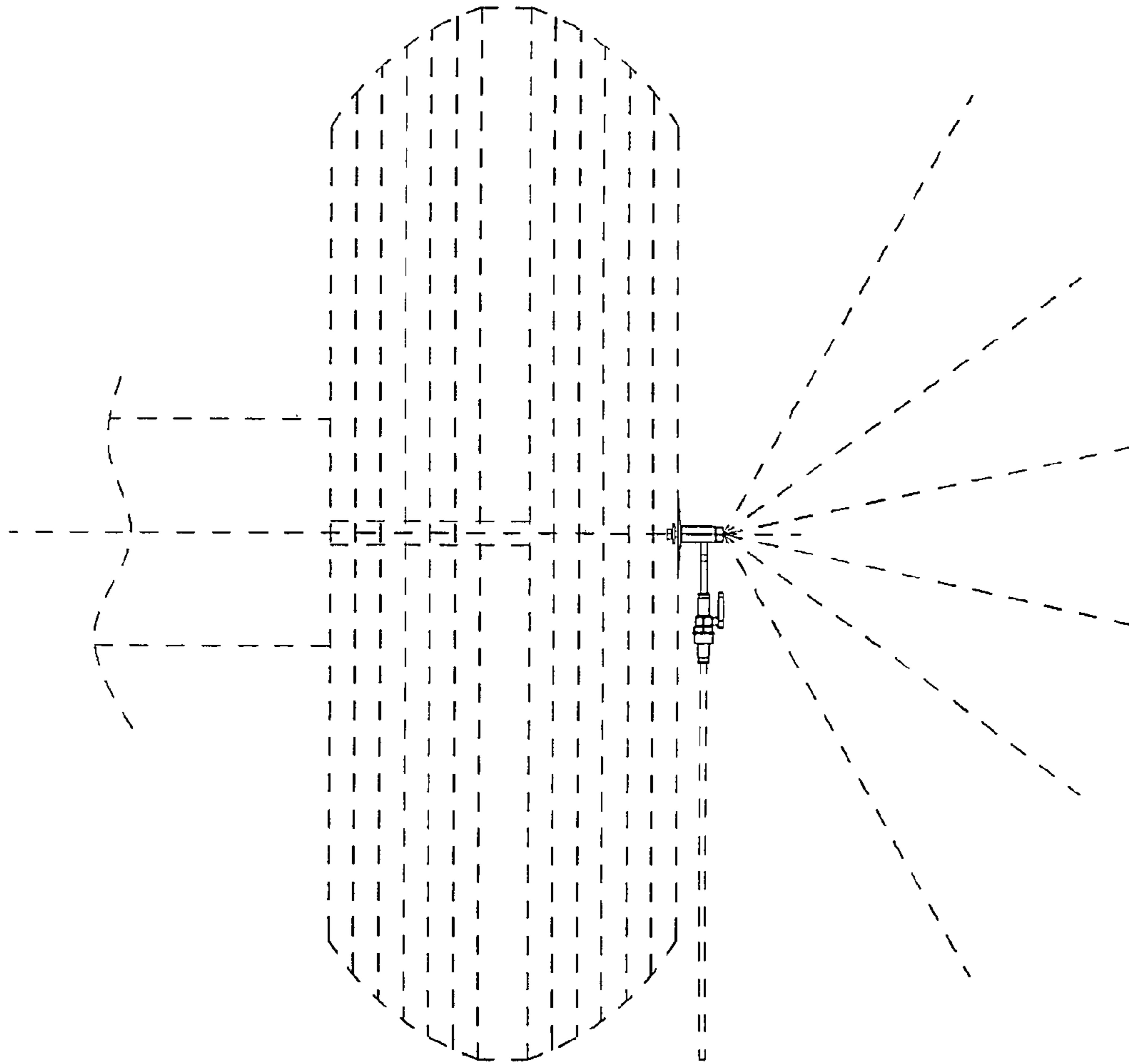


FIGURE - 7