



US00D698435S

(12) **United States Design Patent**
Do-Keun

(10) **Patent No.:** **US D698,435 S**
(45) **Date of Patent:** **** Jan. 28, 2014**

- (54) **FRAGRANCE EVAPORATOR**
- (71) Applicant: **Henkel AG & Co. KGaA**, Duesseldorf (DE)
- (72) Inventor: **Kim Do-Keun**, Seoul (KR)
- (73) Assignee: **Henkel AG & Co. KGaA**, Duesseldorf (DE)
- (**) Term: **14 Years**
- (21) Appl. No.: **29/455,322**
- (22) Filed: **May 20, 2013**

7,651,666 B2 * 1/2010 Adair et al. 422/123
 7,670,566 B2 * 3/2010 Adair et al. 422/125
 D628,284 S * 11/2010 Ko et al. D23/366
 D669,975 S * 10/2012 Davis et al. D23/366

* cited by examiner

Primary Examiner — Sandra Snapp
(74) *Attorney, Agent, or Firm* — Thomas G. Krivulka

(57) **CLAIM**
The ornamental design for fragrance evaporator, as shown and described.

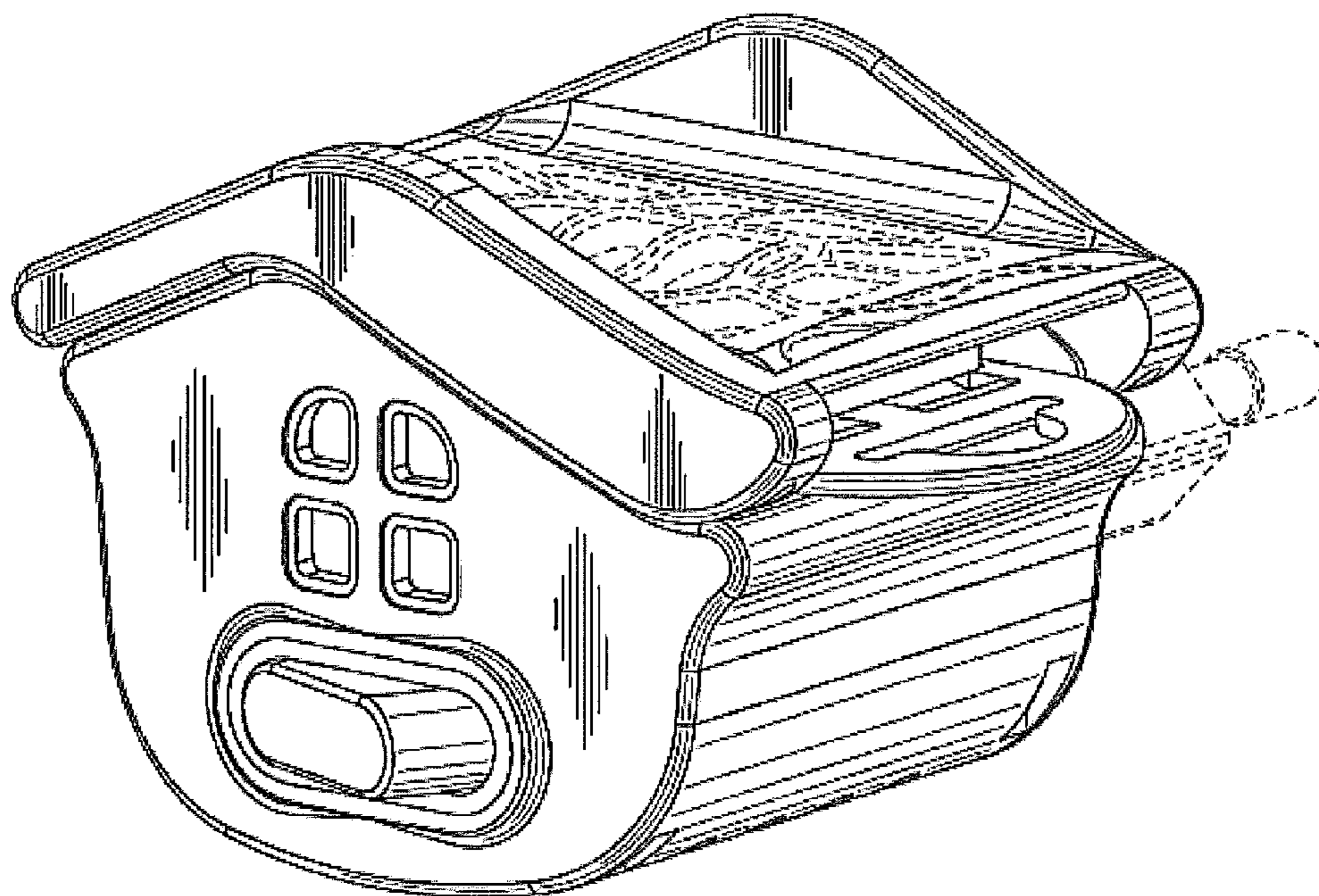
DESCRIPTION

FIG. 1 is a front perspective view of a fragrance evaporator embodying our new design;
 FIG. 2 is a front side elevation view thereof;
 FIG. 3 is a rear side elevation view thereof;
 FIG. 4 is a right side elevation view thereof;
 FIG. 5 is a left side elevation view thereof;
 FIG. 6 is a top plan view thereof; and,
 FIG. 7 is a bottom plan view thereof;
 FIG. 8 is a front perspective view of a second embodiment our new design;
 FIG. 9 is a front side elevation view thereof;
 FIG. 10 is a rear side elevation view thereof;
 FIG. 11 is a right side elevation view thereof;
 FIG. 12 is a left side elevation view thereof;
 FIG. 13 is a top plan view thereof; and,
 FIG. 14 is a bottom plan view thereof.
 The broken lines shown in the drawings are for illustrative purposes only and form no part of the claimed design.

- (30) **Foreign Application Priority Data**
 Nov. 21, 2012 (EM) 002139519
- (51) **LOC (10) Cl.** **28-99**
- (52) **U.S. Cl.**
 USPC **D23/399**
- (58) **Field of Classification Search**
 USPC D23/355–369; D28/5, 6; 261/DIG. 17, 261/DIG. 42, DIG. 65, DIG. 88, DIG. 89; 392/386, 390, 394, 395; 239/34, 44, 239/53, 55, 56, 326; D26/14, 17, 98, 9, 22, D26/24; D11/131.1; D7/509, 522, 524, 537
 See application file for complete search history.

- (56) **References Cited**
U.S. PATENT DOCUMENTS
 D400,662 S * 11/1998 Davis D23/366
 7,544,332 B2 * 6/2009 De Silva et al. 422/125

1 Claim, 8 Drawing Sheets



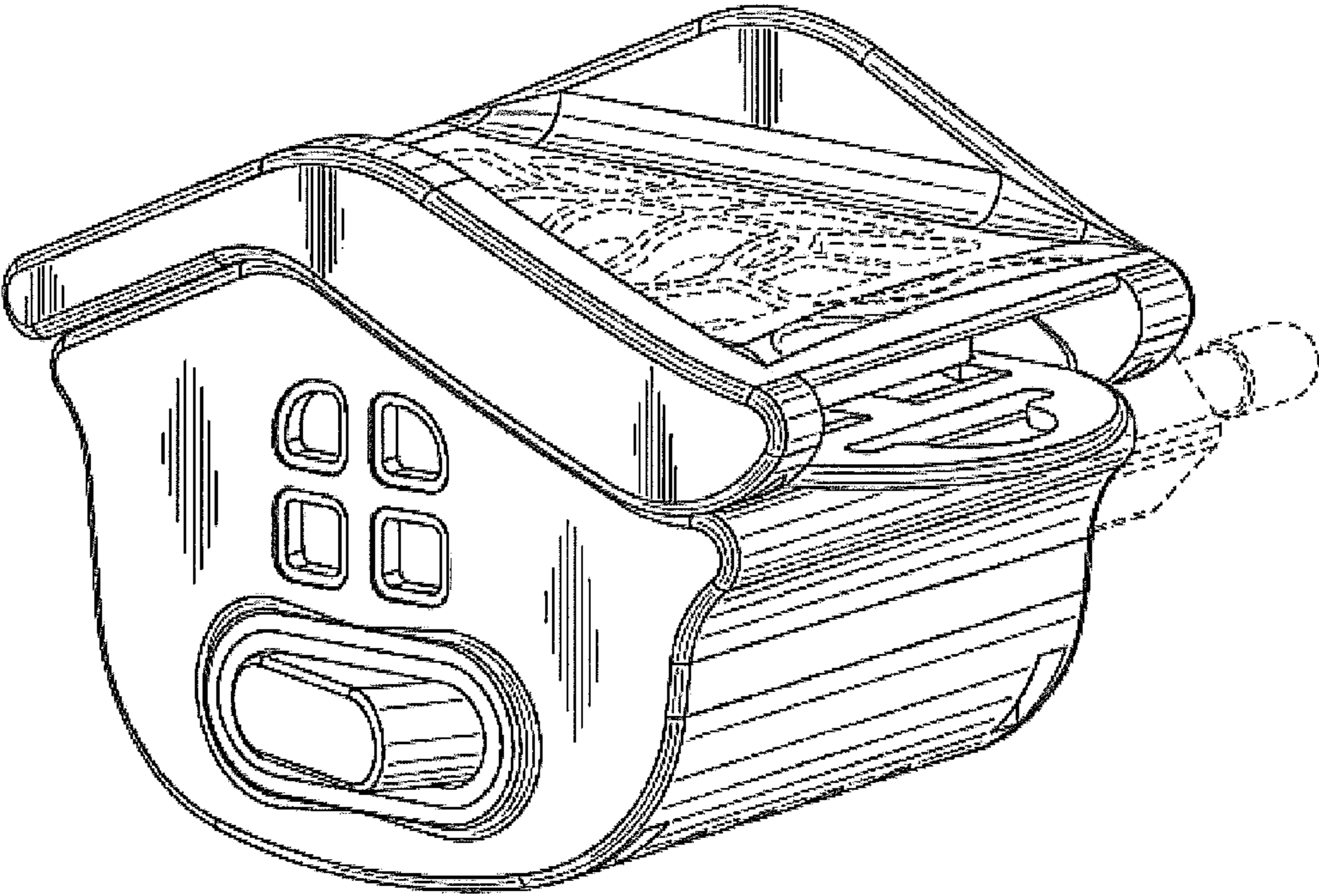


FIG. 1

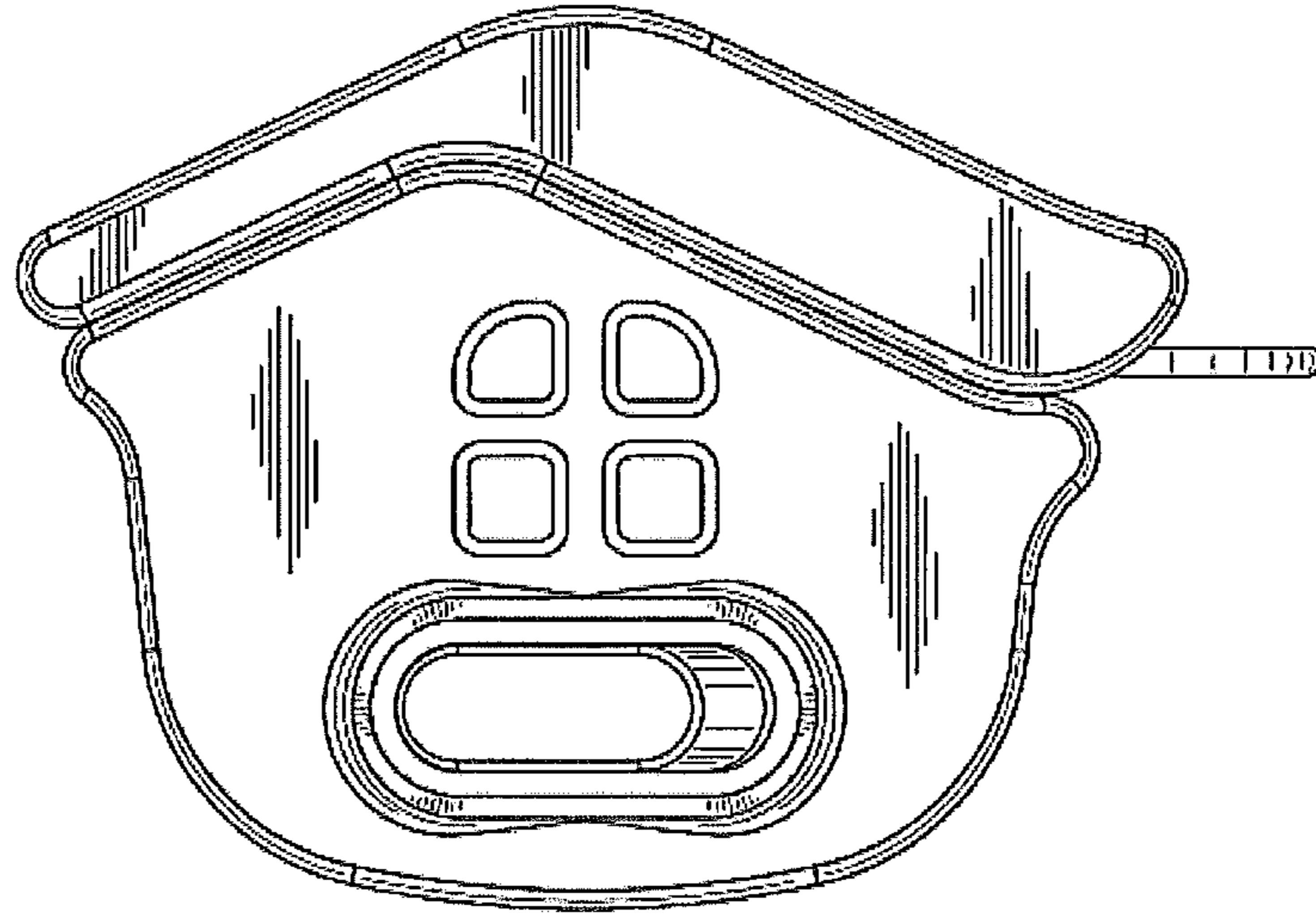


FIG. 2

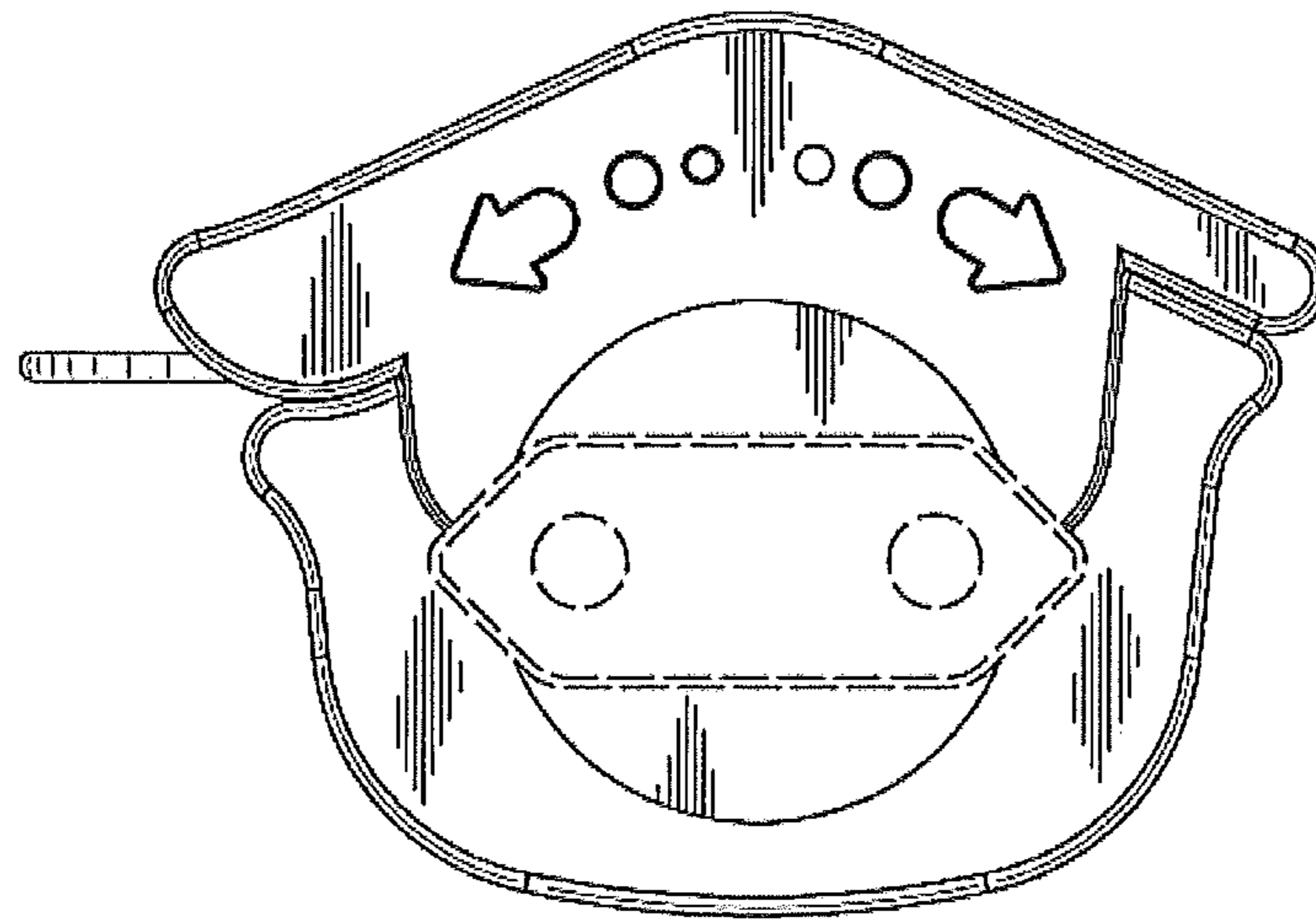


FIG. 3

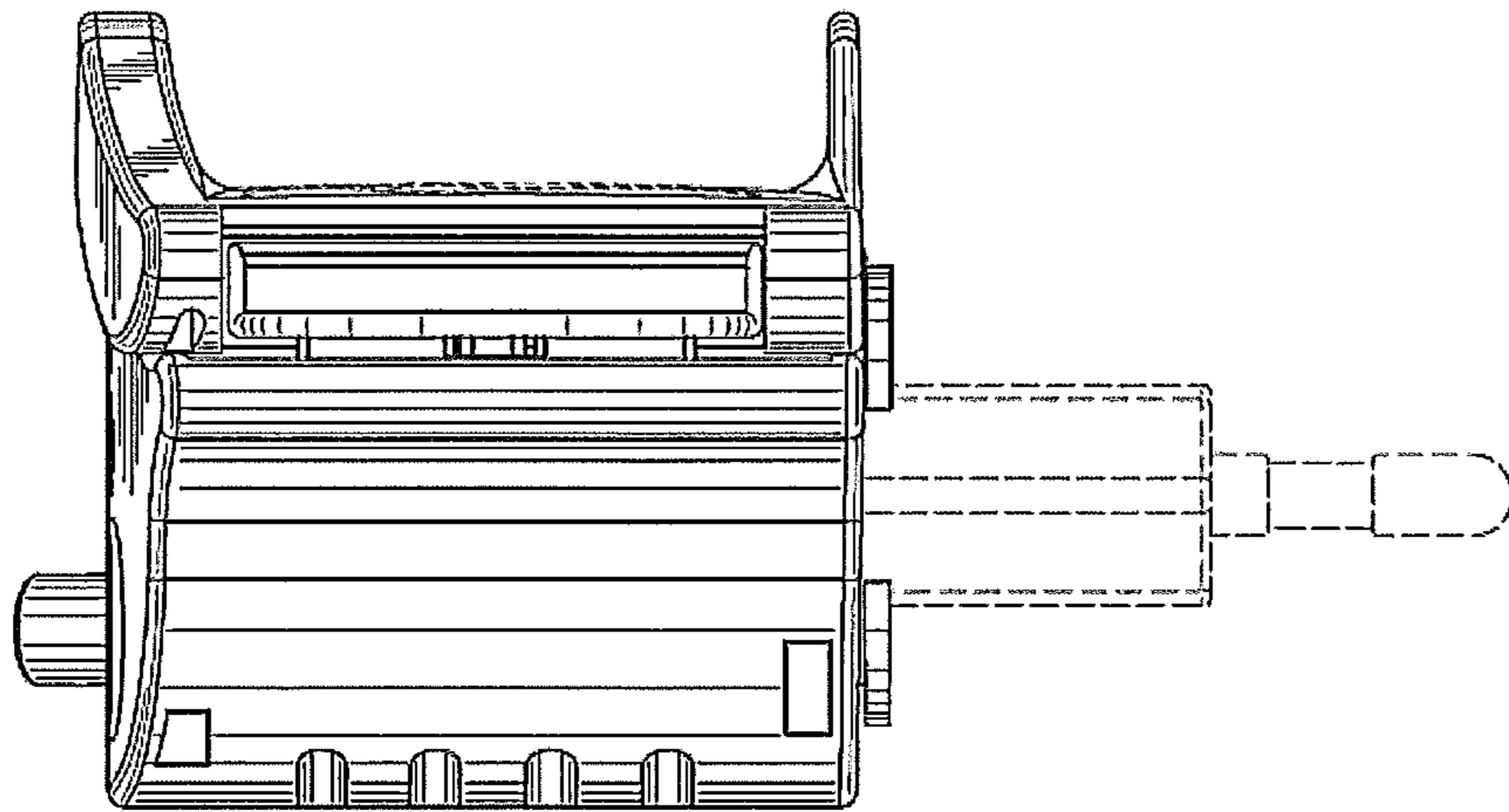


FIG. 4

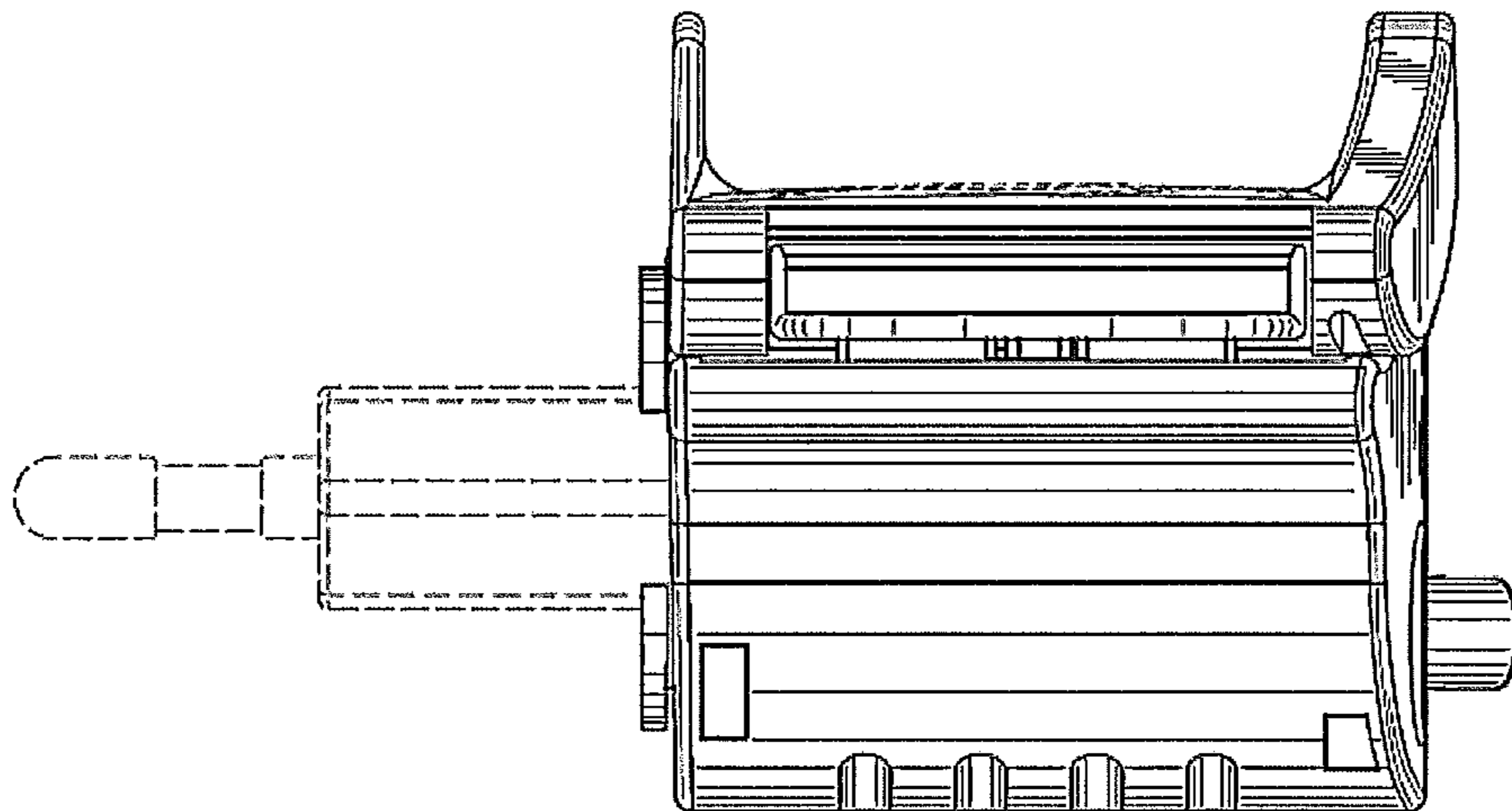


FIG. 5

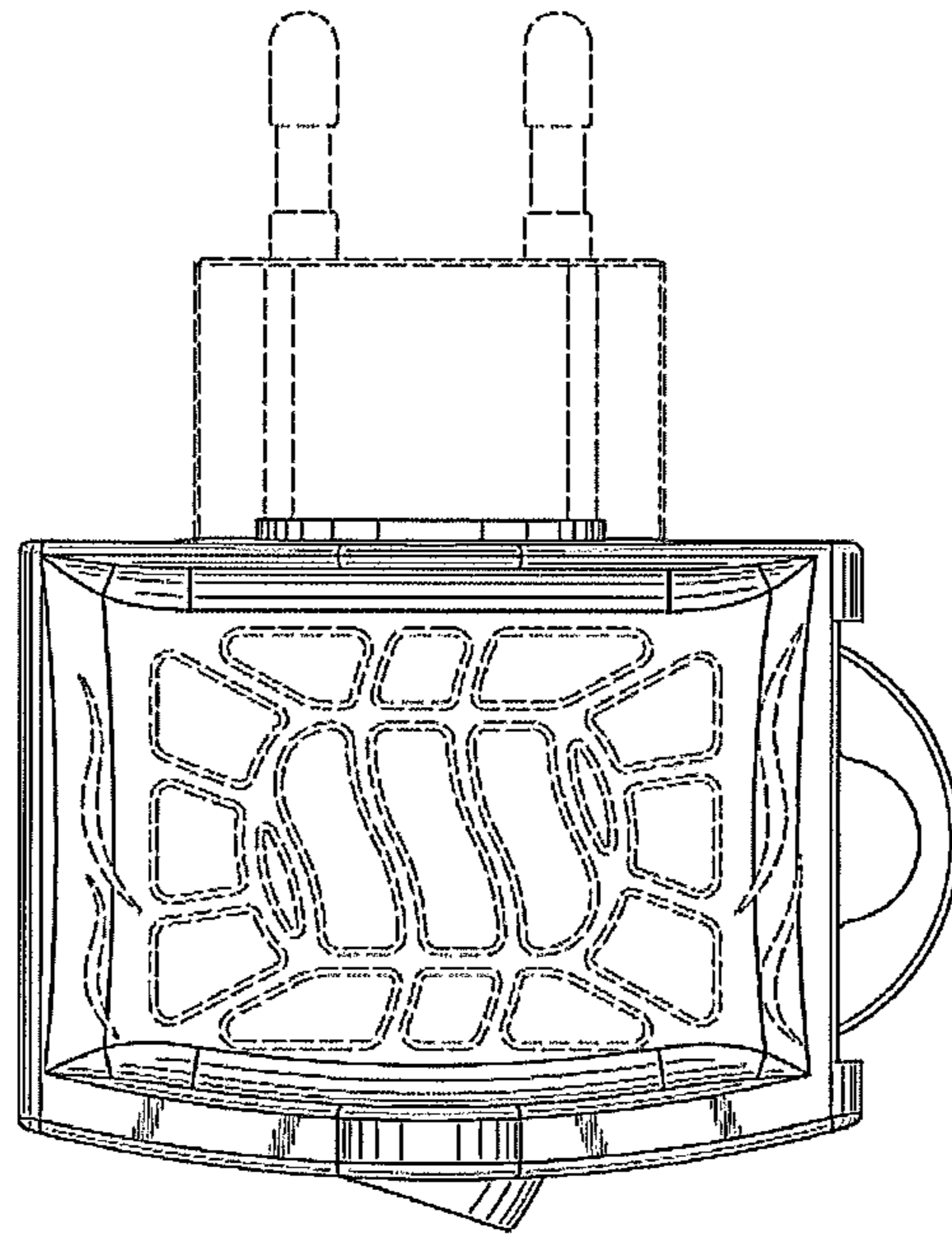


FIG. 6

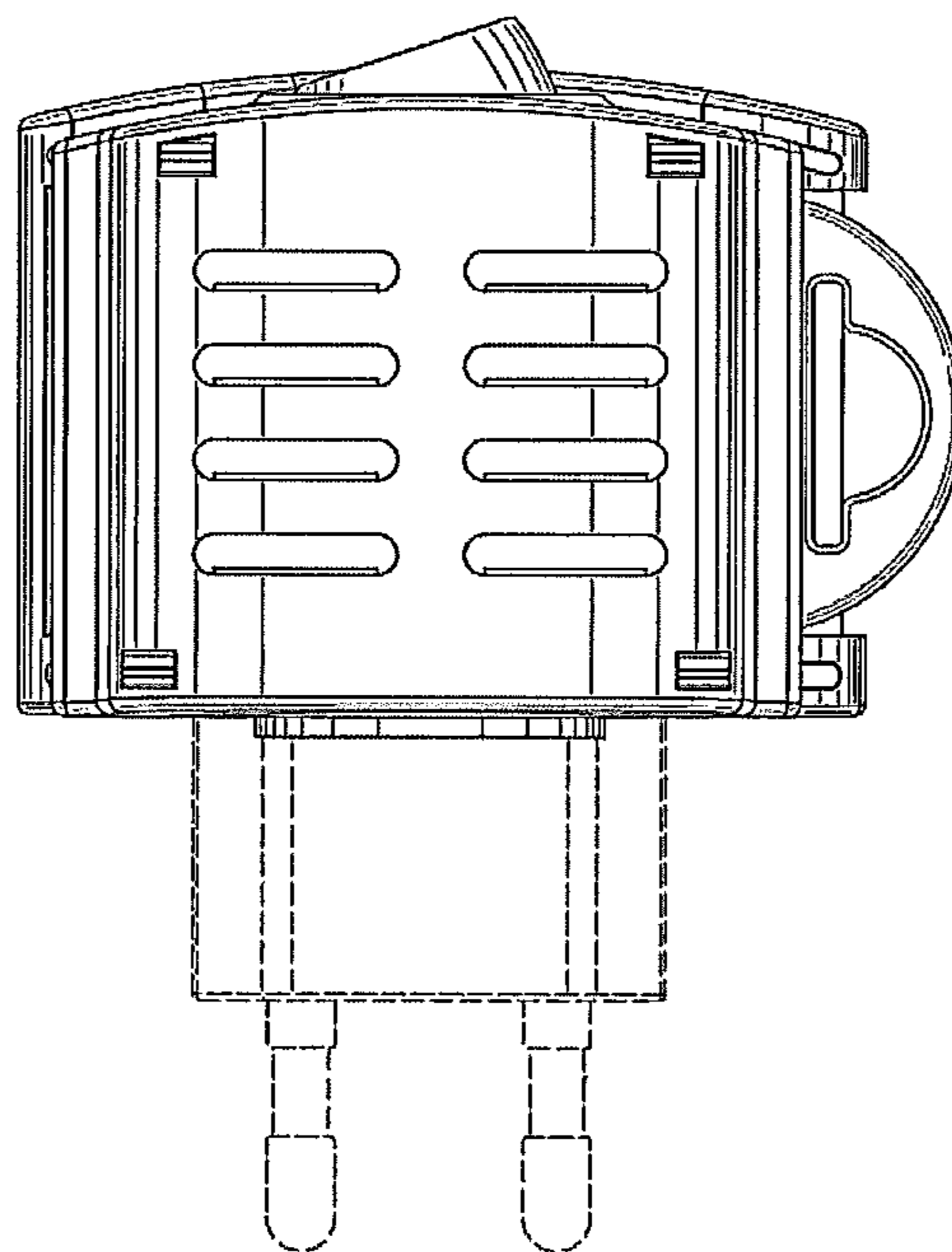


FIG. 7

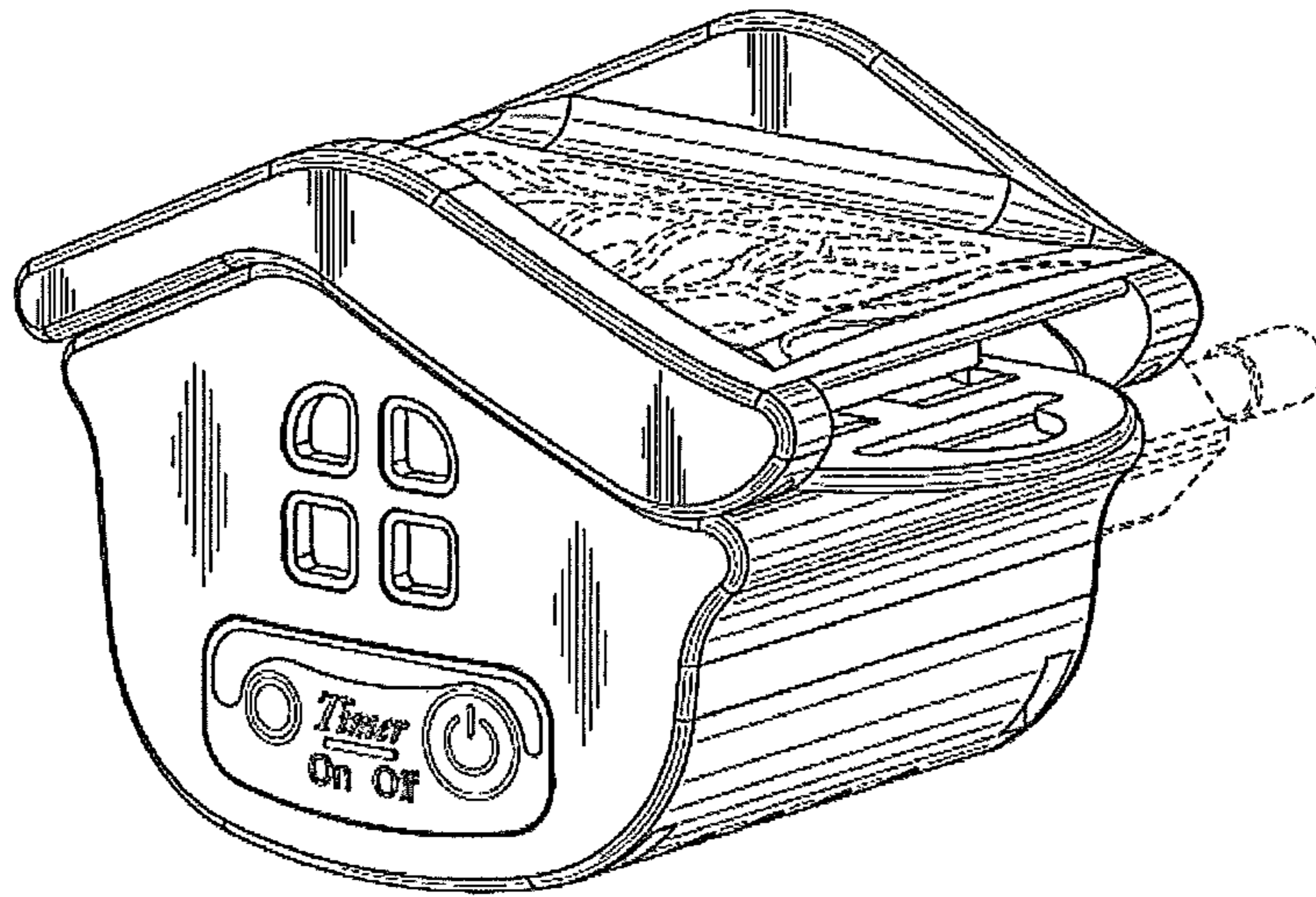


FIG. 8

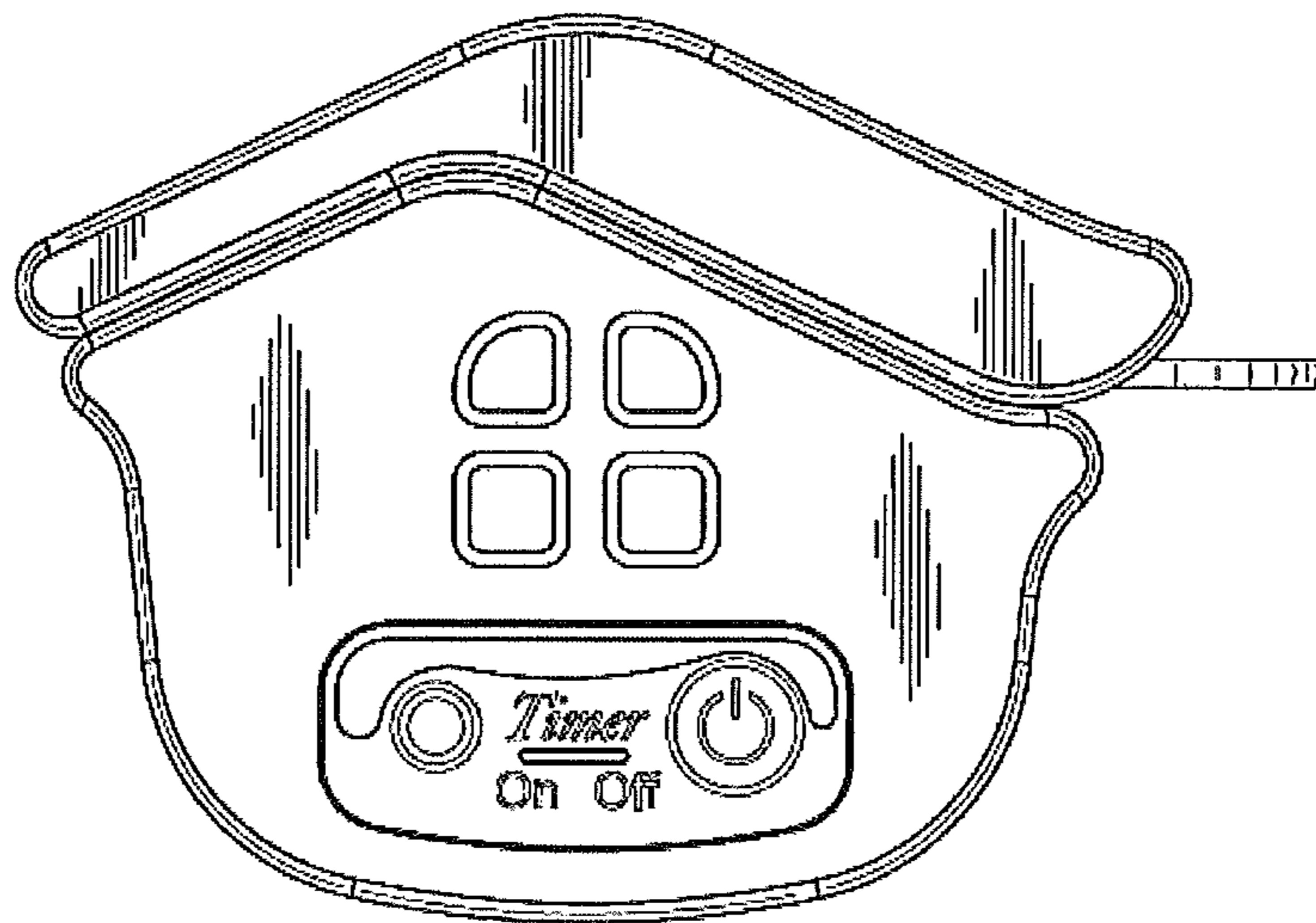


FIG. 9

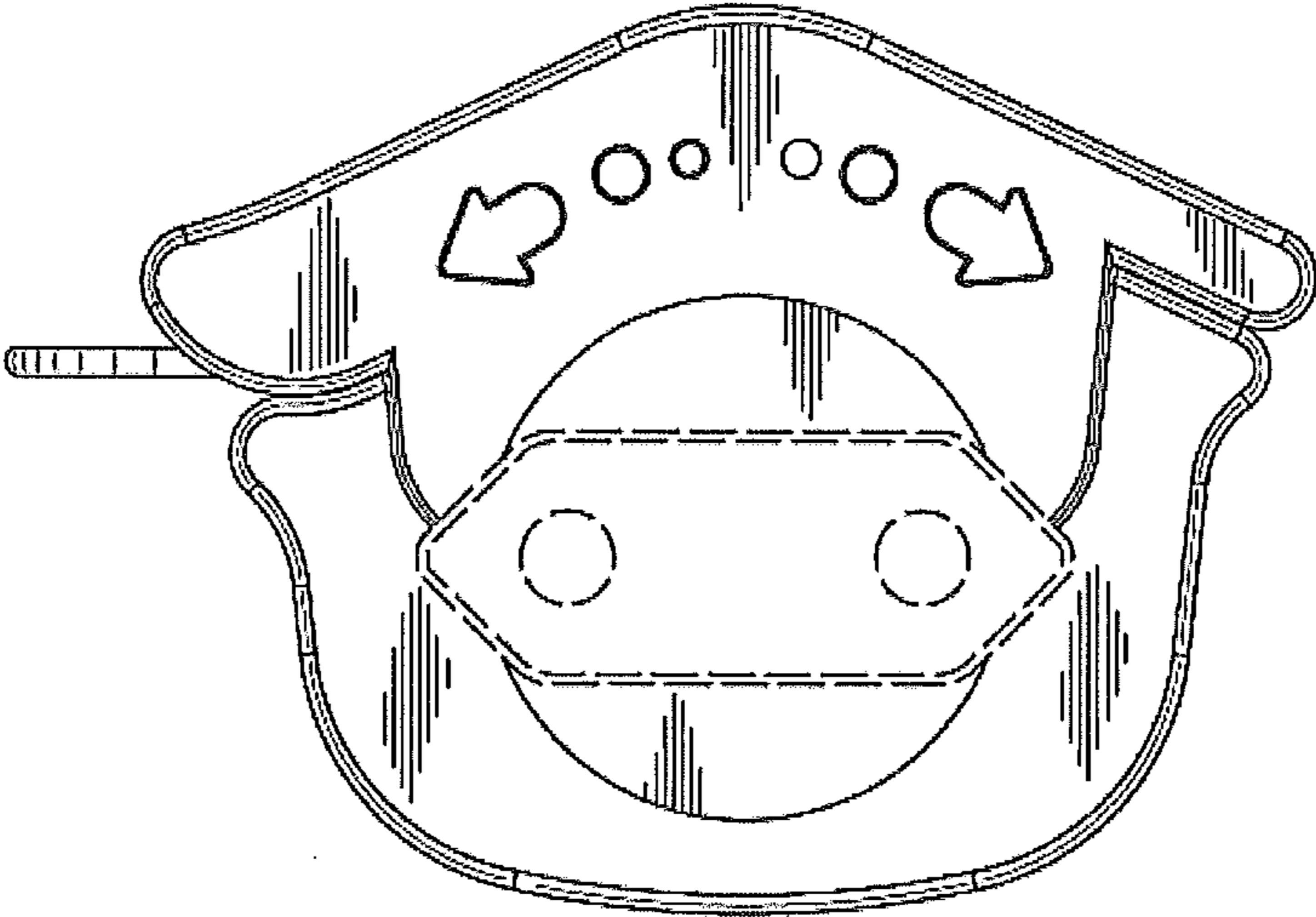


FIG. 10

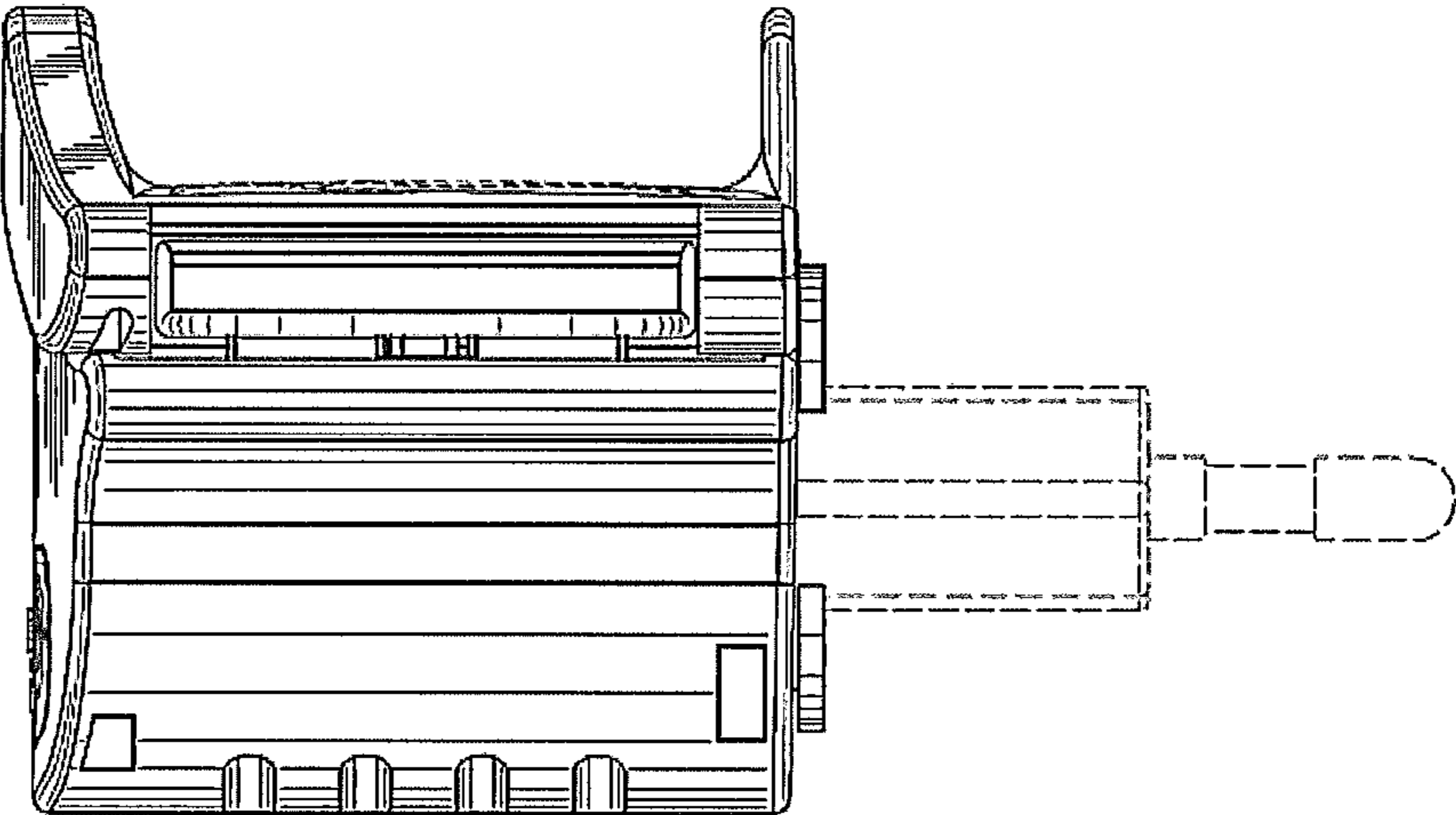


FIG. 11

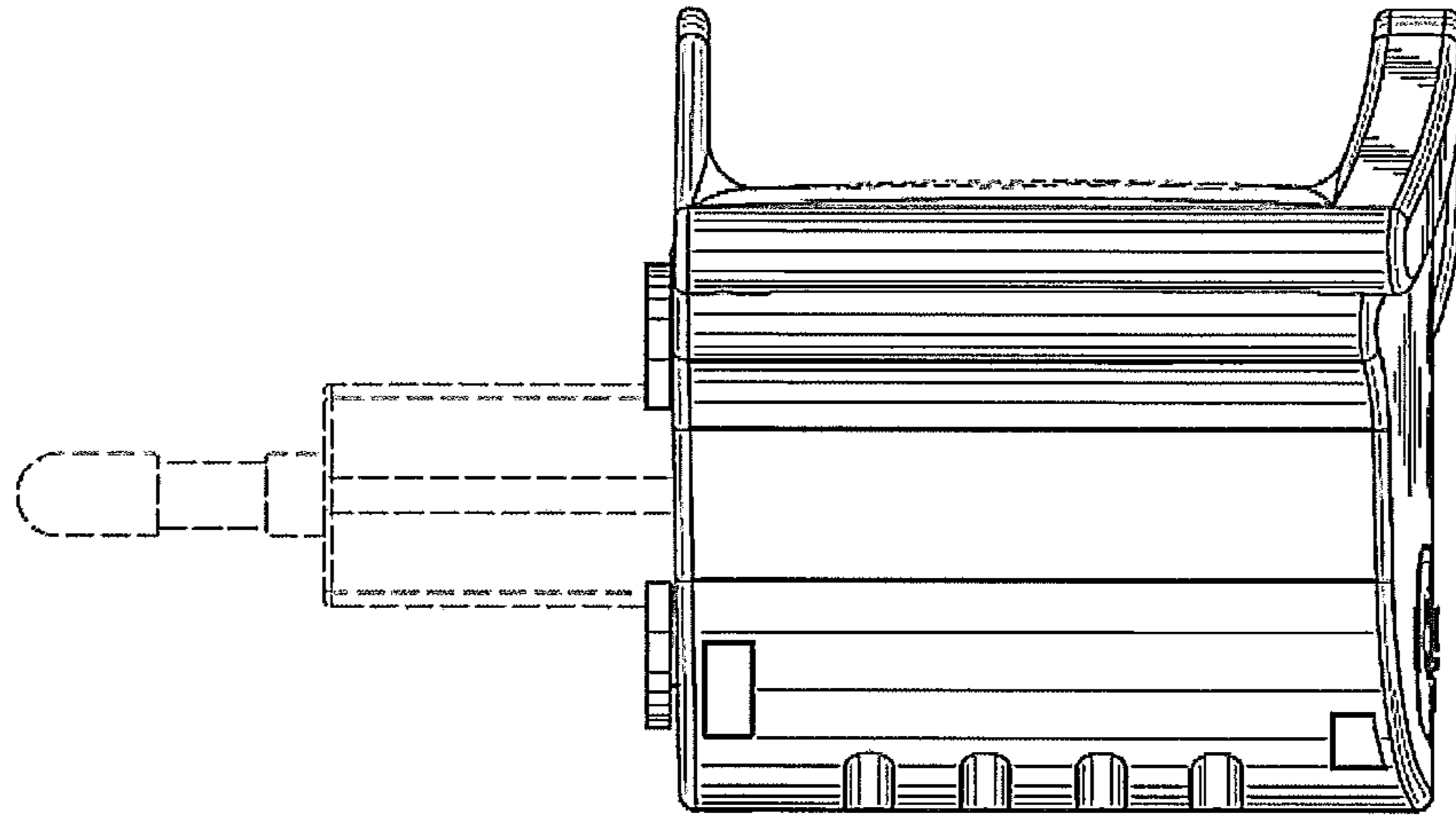


FIG. 12

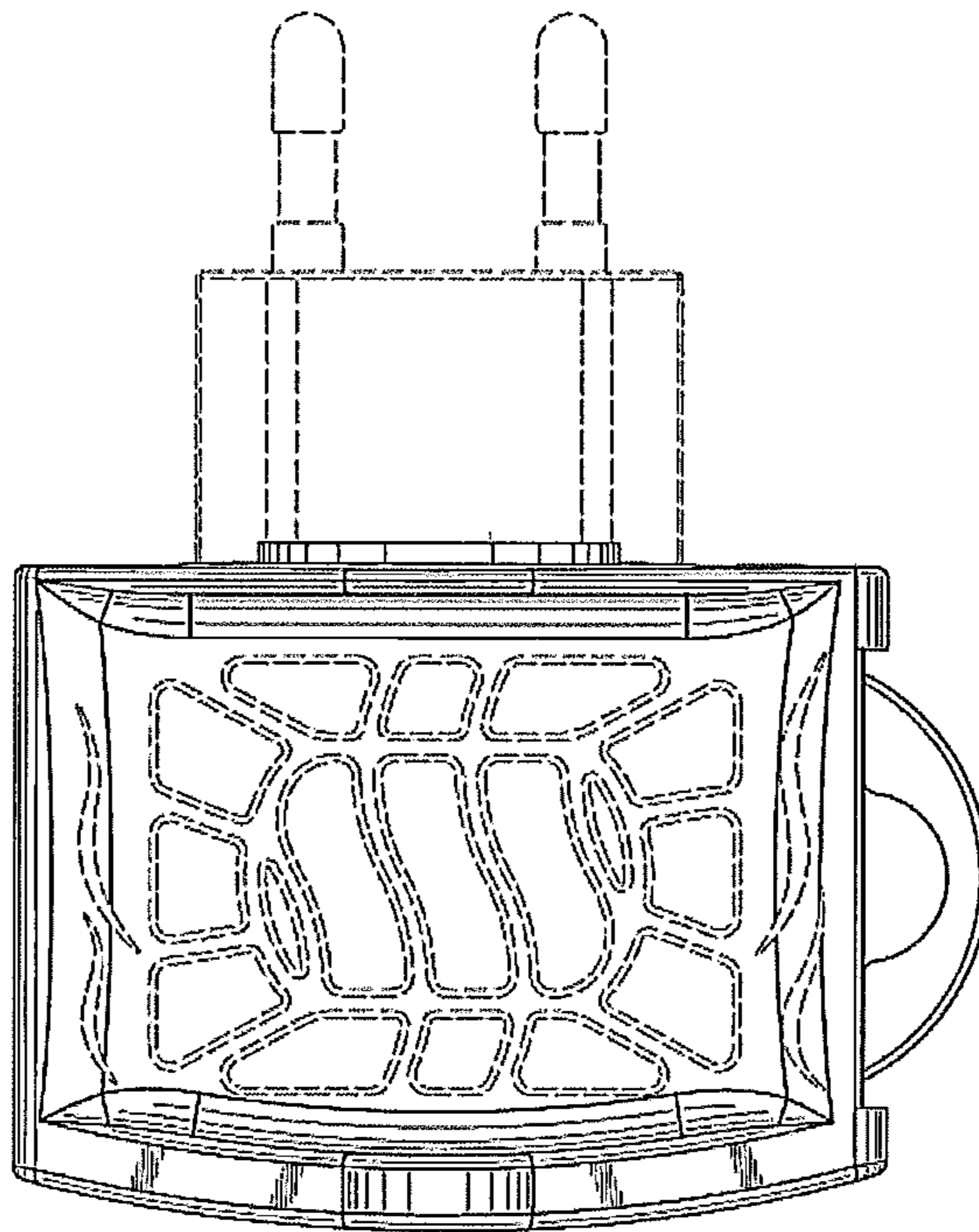


FIG. 13

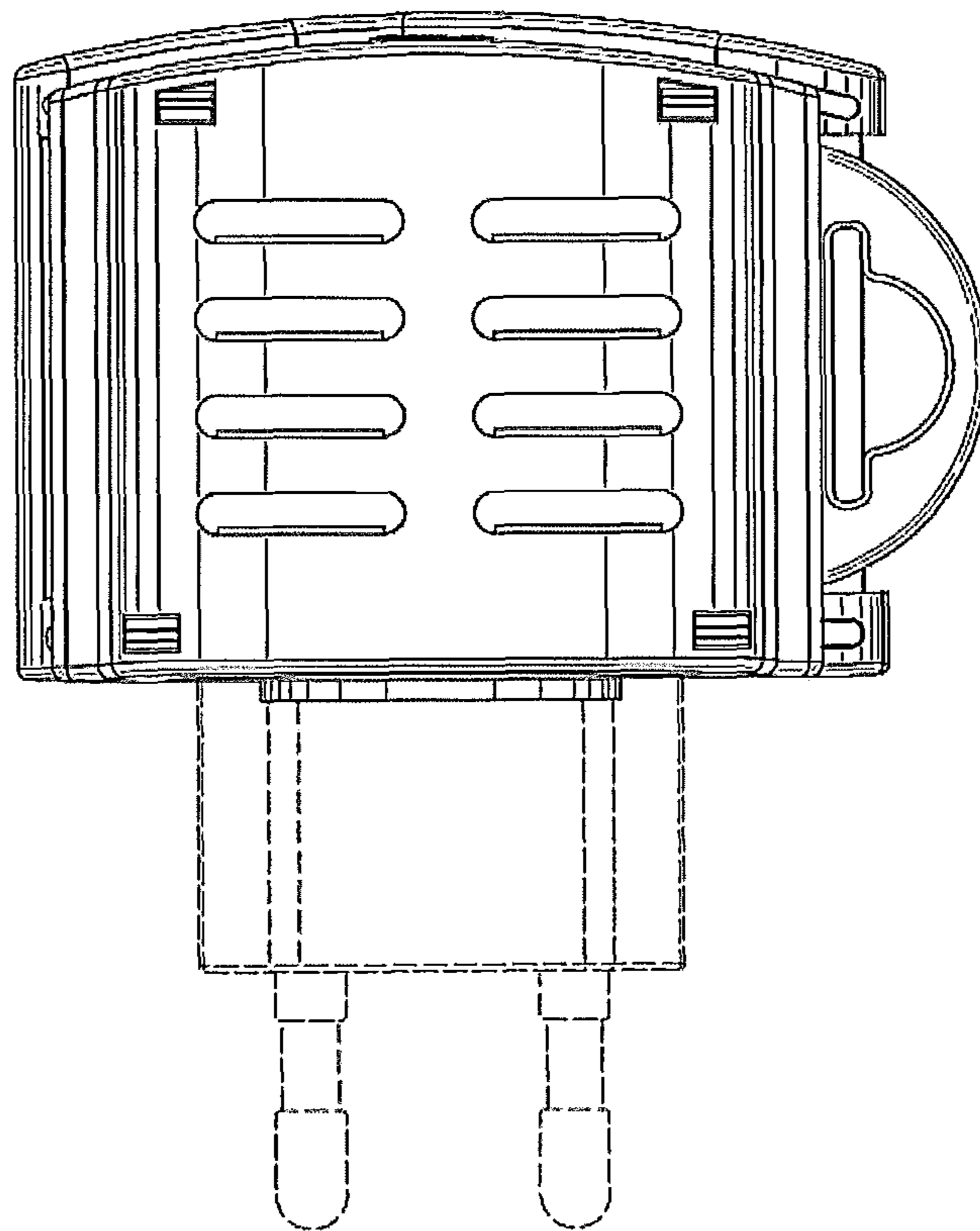


FIG. 14