



US00D698433S

(12) **United States Design Patent**  
**Tomasiak et al.**

(10) **Patent No.:** **US D698,433 S**  
(45) **Date of Patent:** **\*\* Jan. 28, 2014**

(54) **AIR MOVER**

(75) Inventors: **Mark Tomasiak**, St. Peters, MO (US);  
**Shane Glasgow**, St. Ann, MO (US);  
**Douglas K. Ritterling**, Chesterfield, MO (US)

(73) Assignee: **Emerson Electric Co.**, St. Louis, MO (US)

(\*\*) Term: **14 Years**

(21) Appl. No.: **29/414,631**

(22) Filed: **Mar. 1, 2012**

(51) **LOC (10) Cl.** ..... **23-04**

(52) **U.S. Cl.**  
USPC ..... **D23/383**

(58) **Field of Classification Search**  
USPC ..... D23/370–385, 411–414, 365, 364;  
415/60, 66, 68, 208.1, 213.1, 214.1;  
310/257; 361/695; 126/299 D, 299 R;  
D26/51, 72, 73; D32/15, 16  
See application file for complete search history.

(56) **References Cited**

**U.S. PATENT DOCUMENTS**

D269,116 S \* 5/1983 Armbruster ..... D23/328  
5,174,048 A \* 12/1992 Shero ..... 34/444  
D340,326 S \* 10/1993 Genovese ..... D32/15  
D361,414 S \* 8/1995 Trautloff et al. .... D32/15  
D482,772 S \* 11/2003 Dooley ..... D23/383  
6,739,070 B1 \* 5/2004 Jacobs et al. .... 34/90

D517,677 S \* 3/2006 Bartholmey ..... D23/383  
D530,002 S \* 10/2006 Ching ..... D23/317  
D537,517 S \* 2/2007 Hancock ..... D23/383  
D566,823 S \* 4/2008 Lewis ..... D23/383  
D594,962 S \* 6/2009 Lewis ..... D23/383  
D596,283 S \* 7/2009 Martinez et al. .... D23/383

**OTHER PUBLICATIONS**

Rigid 1625 CFM Air Mover, Jul. 12, 2012. The Home Depot, <<http://www.homedepot.com/p/RIGID-1625-CFM-Air-Mover-AM2560/202942745>>.\*

\* cited by examiner

*Primary Examiner* — Susan Bennett Hattan

*Assistant Examiner* — Janice Hallmark

(74) *Attorney, Agent, or Firm* — Sutton McAughan Deaver PLLC

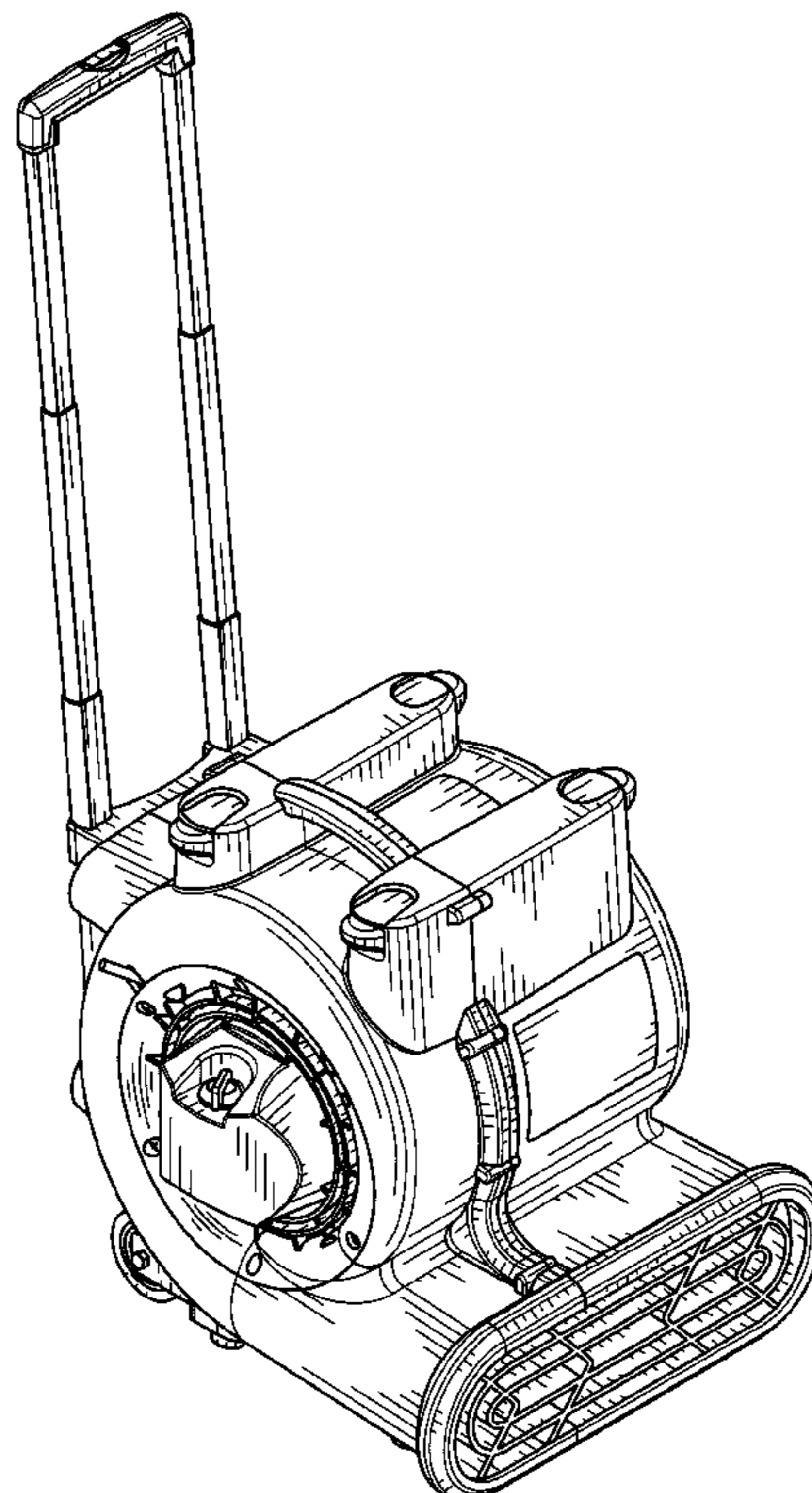
(57) **CLAIM**

The ornamental design for an air mover, as shown and described.

**DESCRIPTION**

FIG. 1 is an isometric front perspective view of an air mover constructed in accordance with, and embodying, the principles of the present invention;  
FIG. 2 is a front elevational view thereof;  
FIG. 3 is a rear elevational view thereof;  
FIG. 4 is a right side thereof;  
FIG. 5 is a left side view showing the side opposite that shown in FIG. 4;  
FIG. 6 is a top plan view thereof; and,  
FIG. 7 is a bottom plan view thereof.

**1 Claim, 7 Drawing Sheets**



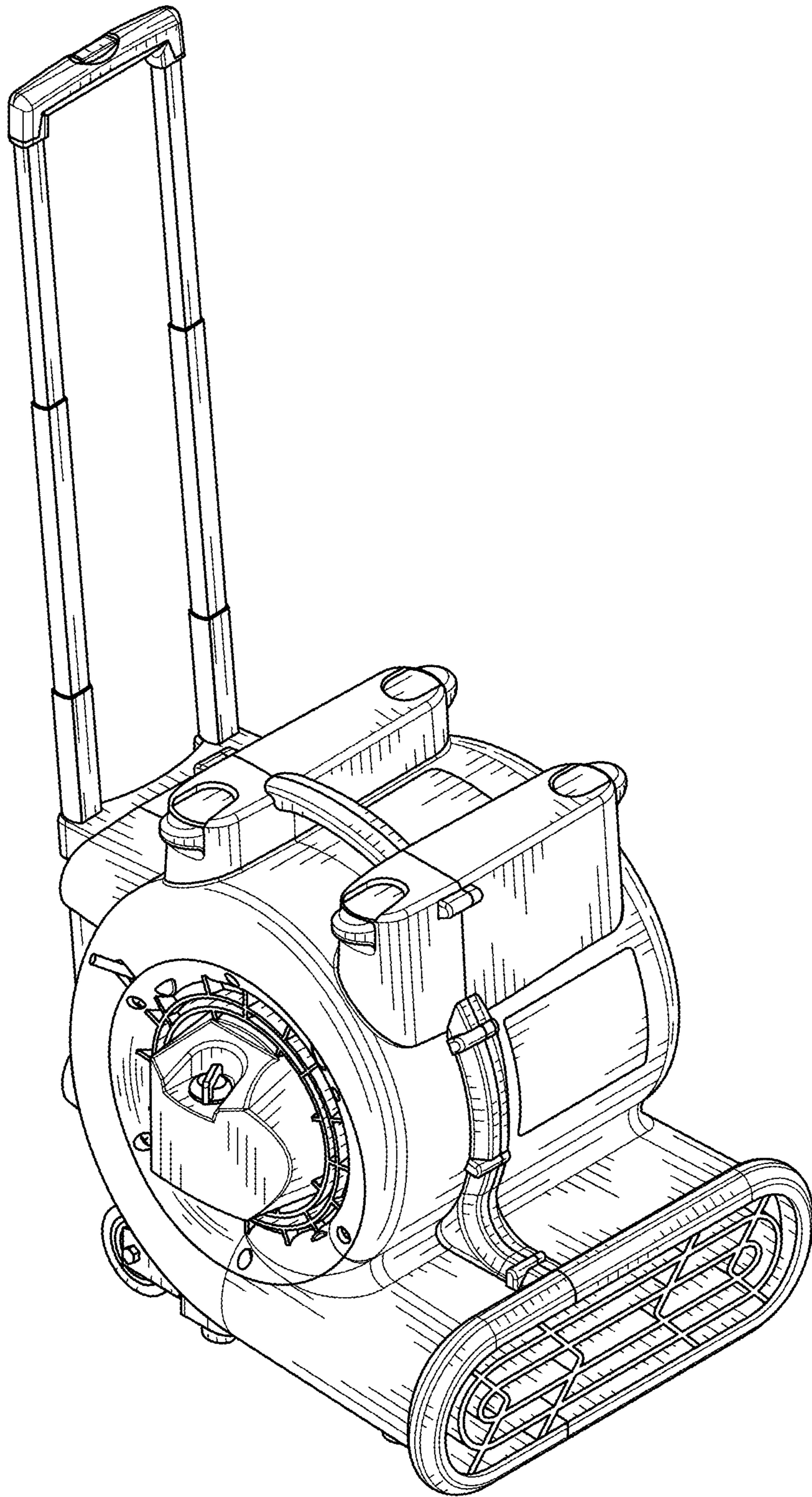


FIG. 1

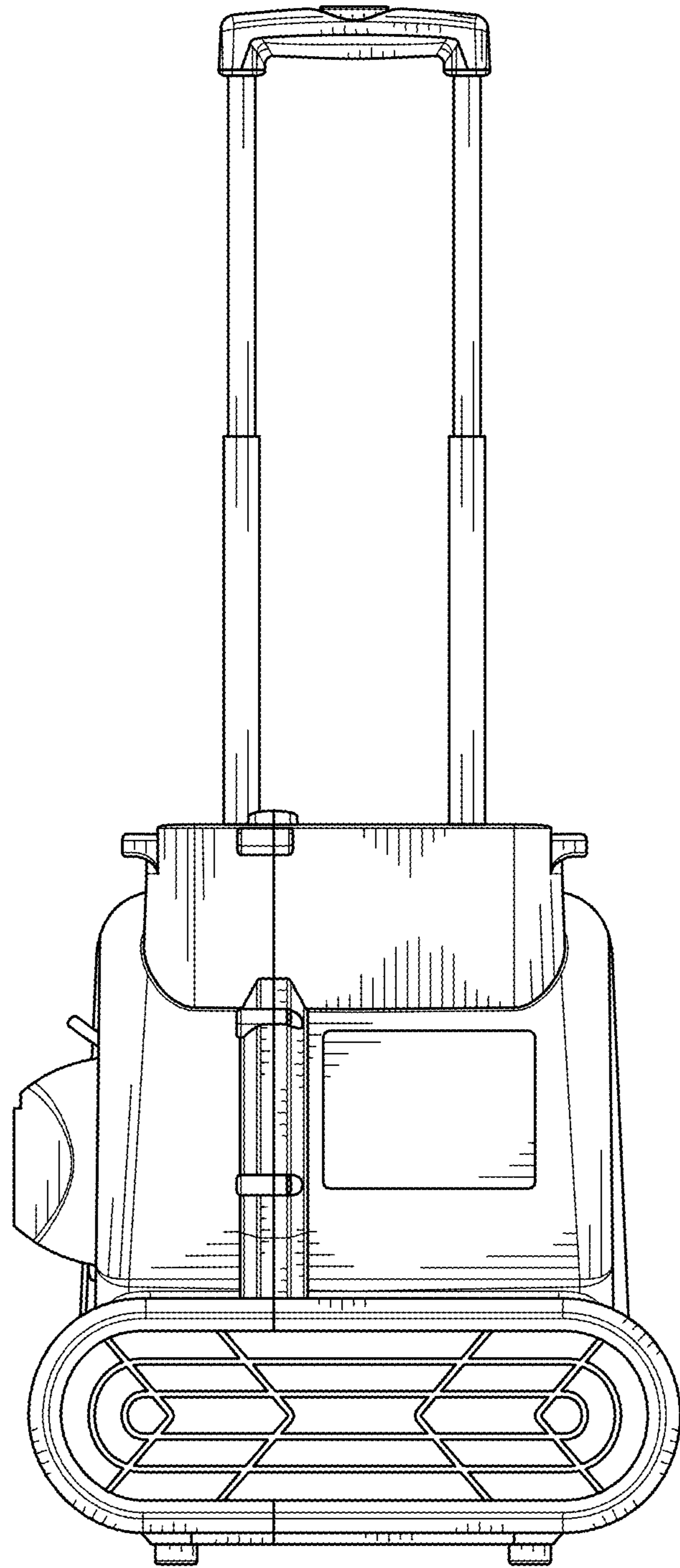


FIG. 2



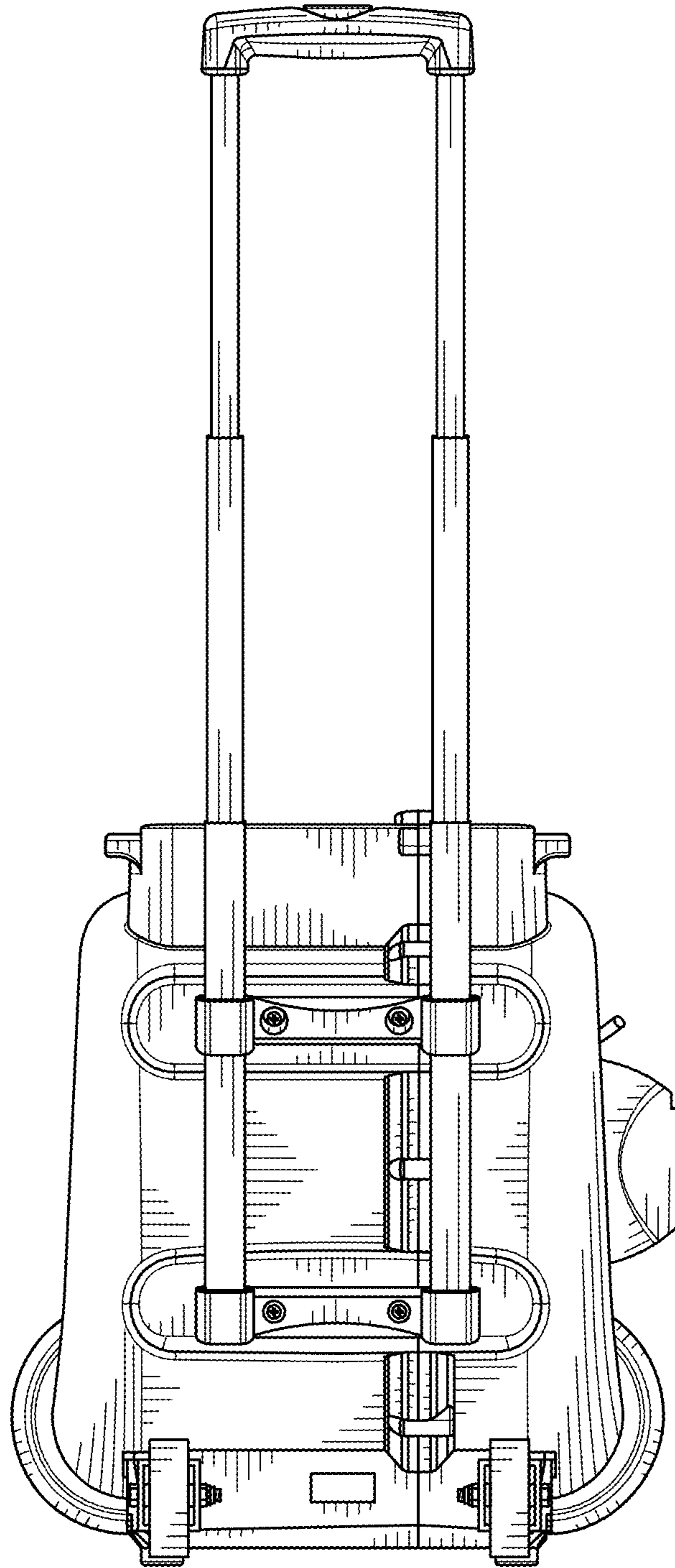


FIG. 3

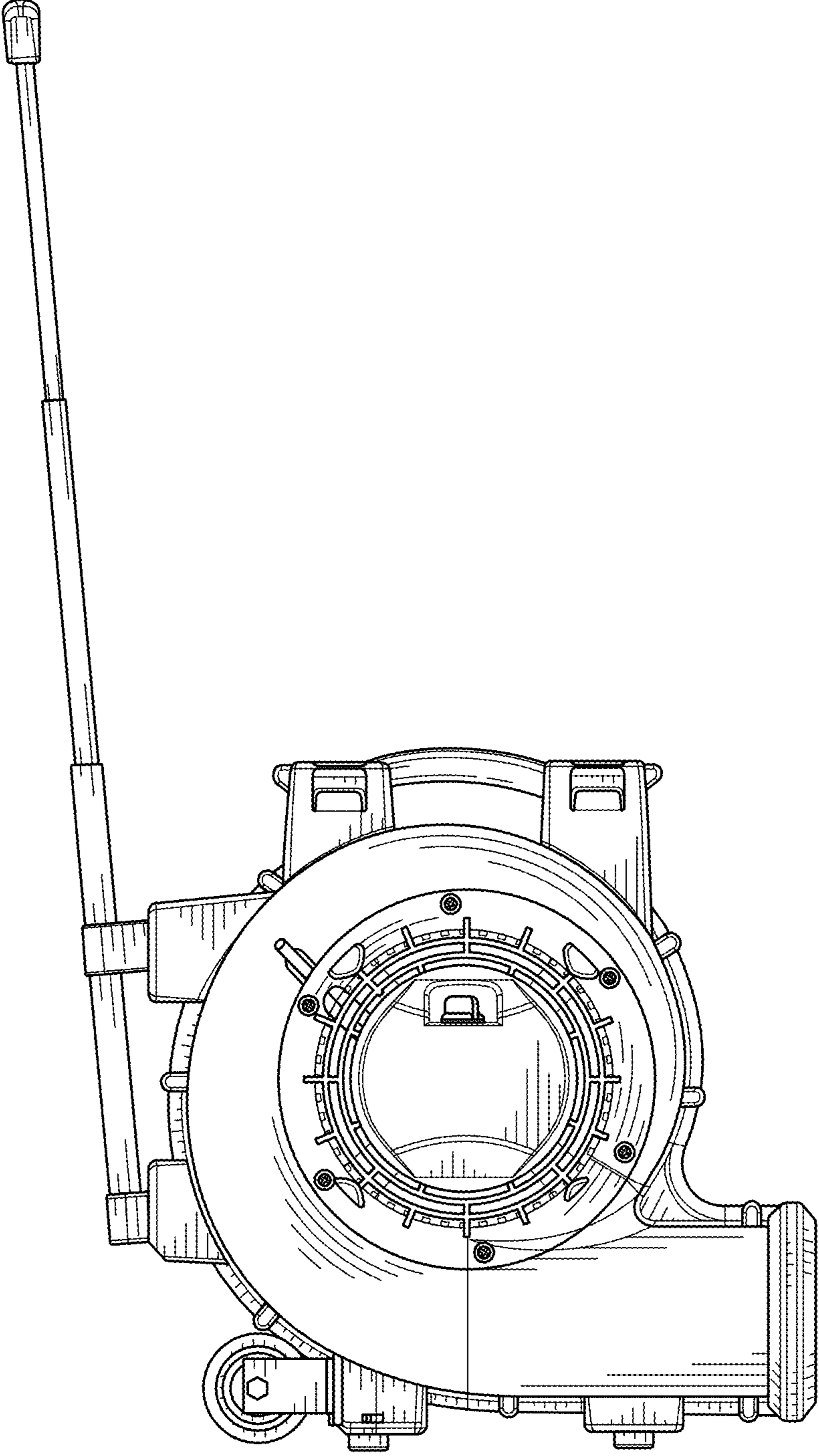


FIG. 4

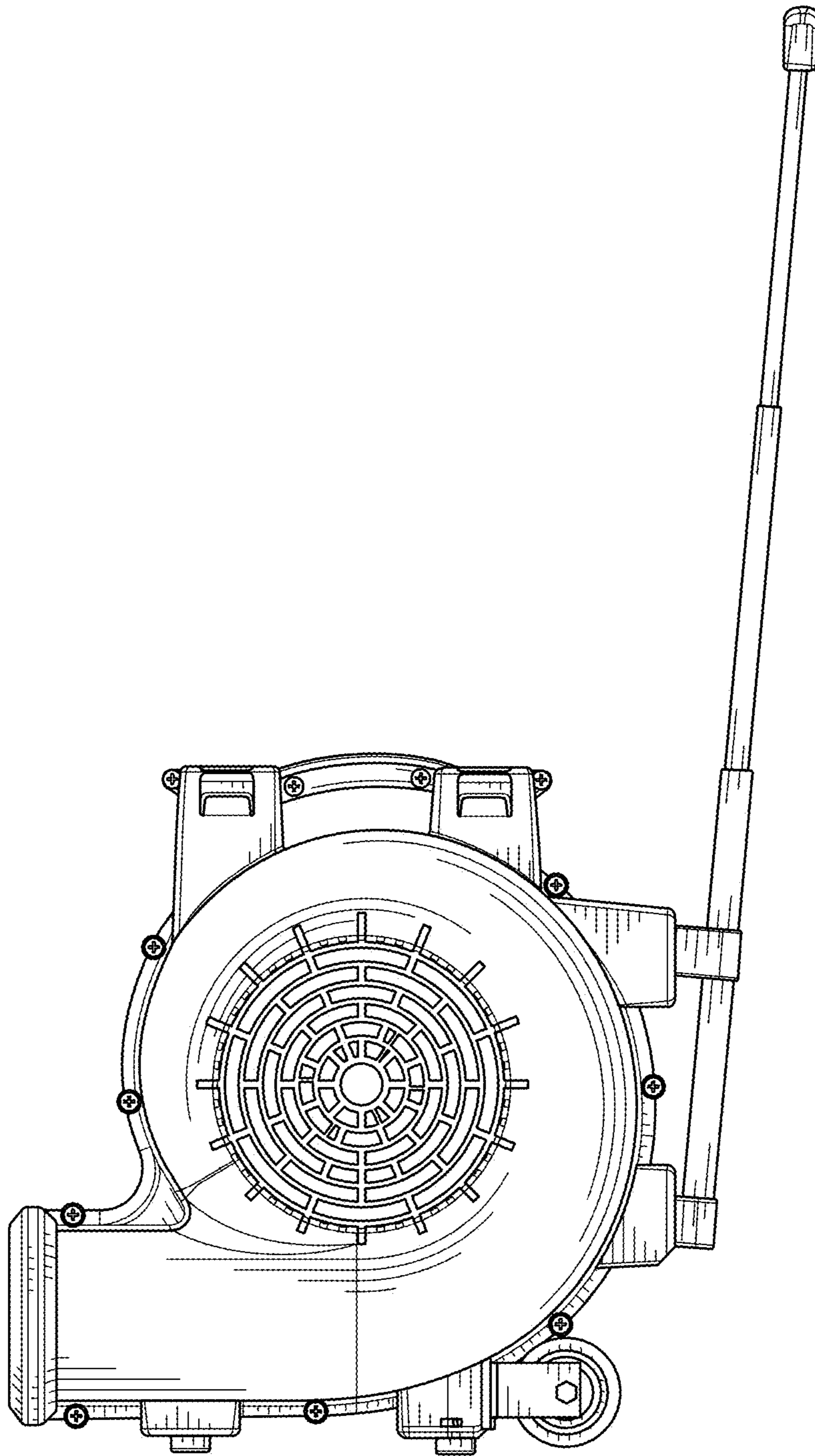


FIG. 5

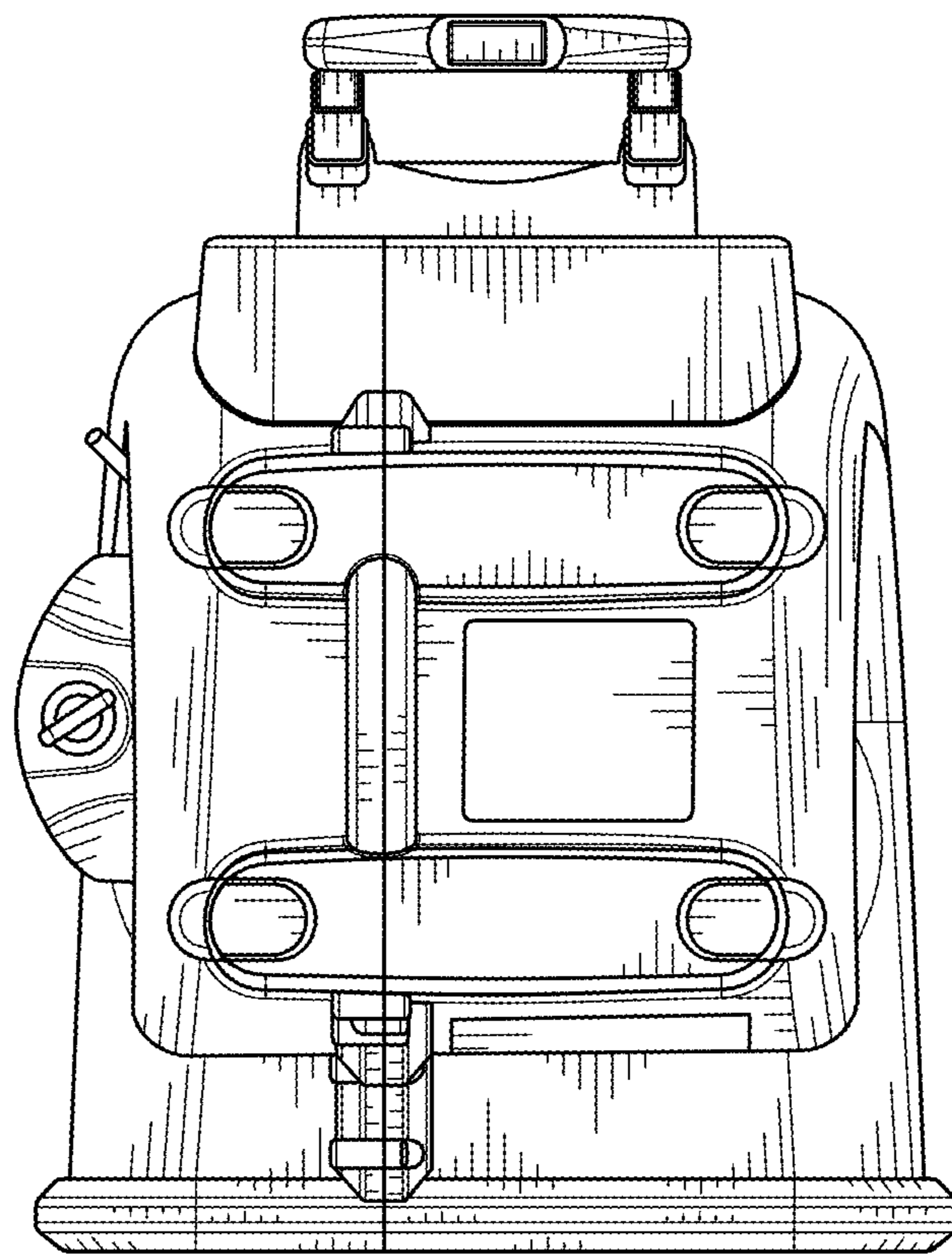


FIG. 6

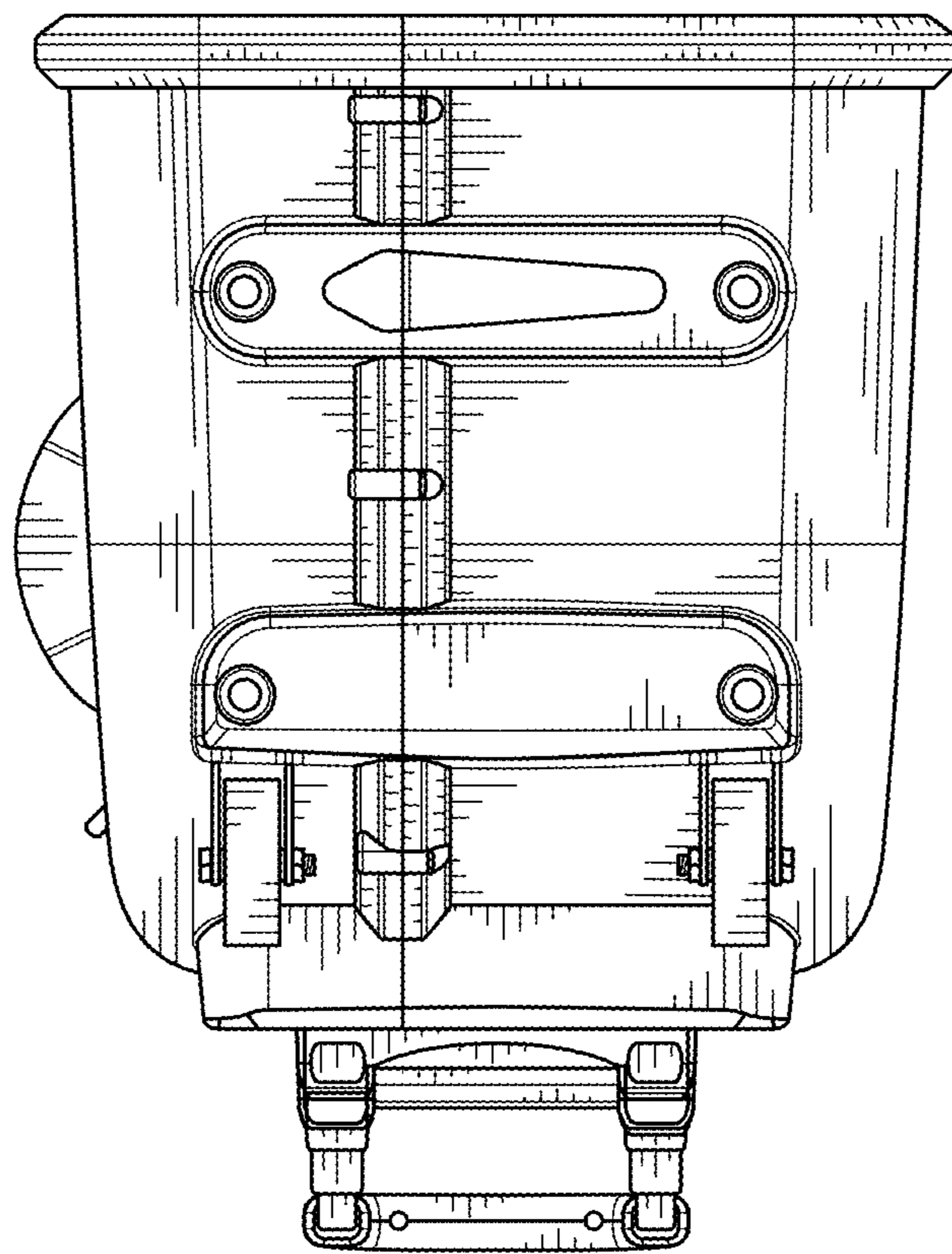


FIG. 7