



US00D698431S

(12) **United States Design Patent**
Garbusi et al.

(10) **Patent No.:** **US D698,431 S**
(45) **Date of Patent:** **** Jan. 28, 2014**

(54) **DIFFUSING EVAPORATOR OF ACTIVE SUBSTANCES**

(71) Applicant: **Zobe Holding S.p.A.**, Trento (IT)

(72) Inventors: **Marco Garbusi**, Lerici (IT); **Fabio Marchetti**, Povo (IT); **Danilo Rossi**, Trento (IT)

(73) Assignee: **Zobe Holding S.p.A.**, Trento (IT)

(**) Term: **14 Years**

(21) Appl. No.: **29/461,019**

(22) Filed: **Jul. 17, 2013**

(30) **Foreign Application Priority Data**

Jan. 17, 2013 (EP) 002168138-0001

(51) **LOC (10) Cl.** **28-99**

(52) **U.S. Cl.**
USPC **D23/366**

(58) **Field of Classification Search**
USPC D23/355-369; D28/5, 6; 261/DIG. 17, 261/DIG. 42, DIG. 65, DIG. 88, DIG. 89; 392/386, 390, 394, 395; 239/34, 44, 239/53, 55, 56, 326; D26/14, 17, 98, 9, 22, D26/24; D11/131.1; D7/509, 522, 524, 537

See application file for complete search history.

(56) **References Cited**

U.S. PATENT DOCUMENTS

D529,162 S *	9/2006	Bulsink	D23/366
D532,893 S *	11/2006	Wu	D23/366
D544,087 S *	6/2007	Baraky et al.	D23/366
D608,435 S *	1/2010	Zobe et al.	D23/366
D609,321 S *	2/2010	Tomasulo et al.	D23/366
D625,797 S *	10/2010	Poves et al.	D23/366
D648,018 S *	11/2011	Sordo	D23/366
D660,407 S *	5/2012	Tebe Poves et al.	D23/366
D663,816 S *	7/2012	Tebe Poves et al.	D23/366
2011/0036922 A1 *	2/2011	Bulsink	239/47

* cited by examiner

Primary Examiner — Sandra Snapp

(74) *Attorney, Agent, or Firm* — Young & Thompson

(57) **CLAIM**

The ornamental design for a diffusing evaporator of active substances, as shown and described.

DESCRIPTION

FIG. 1 is a front, left side and top perspective view of a diffusing evaporator of active substances showing the new design;

FIG. 2 is a back, right side, and top perspective view thereof;

FIG. 3 is a front elevation view thereof;

FIG. 4 is a back elevation view thereof;

FIG. 5 is a left side elevation view thereof;

FIG. 6 is a bottom plan view thereof; and,

FIG. 7 is a top plan view thereof.

1 Claim, 7 Drawing Sheets

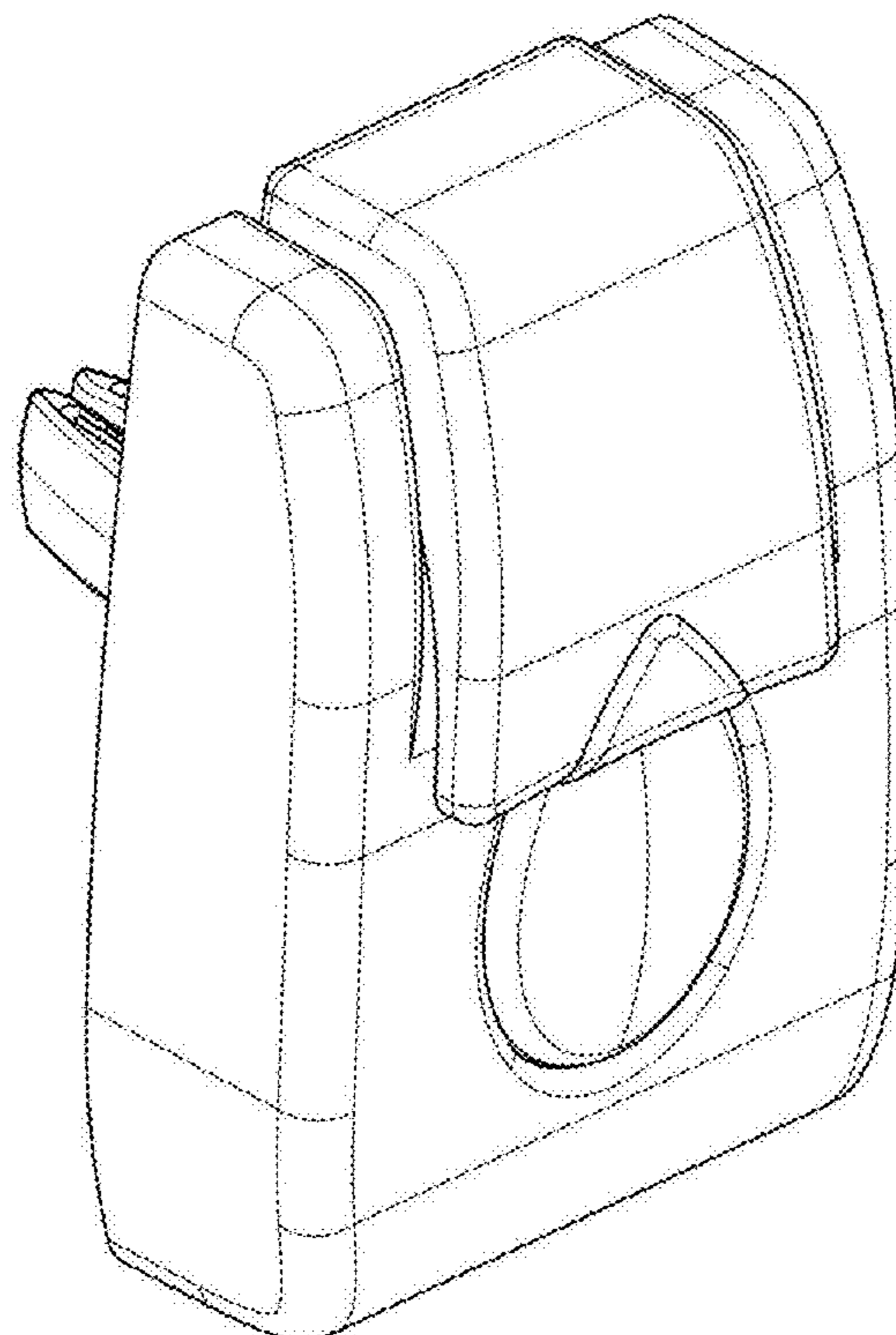


Fig. 1

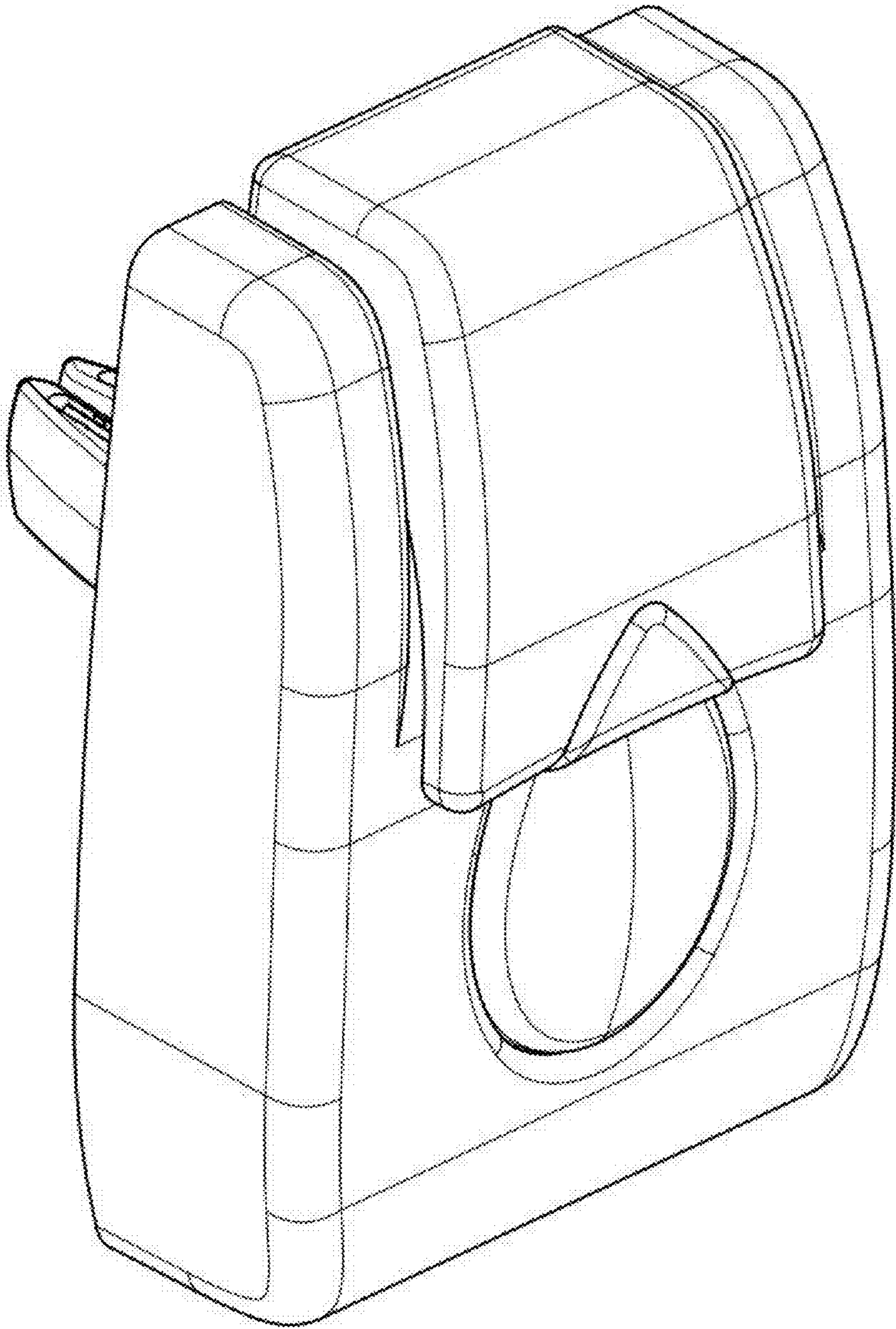


Fig. 2

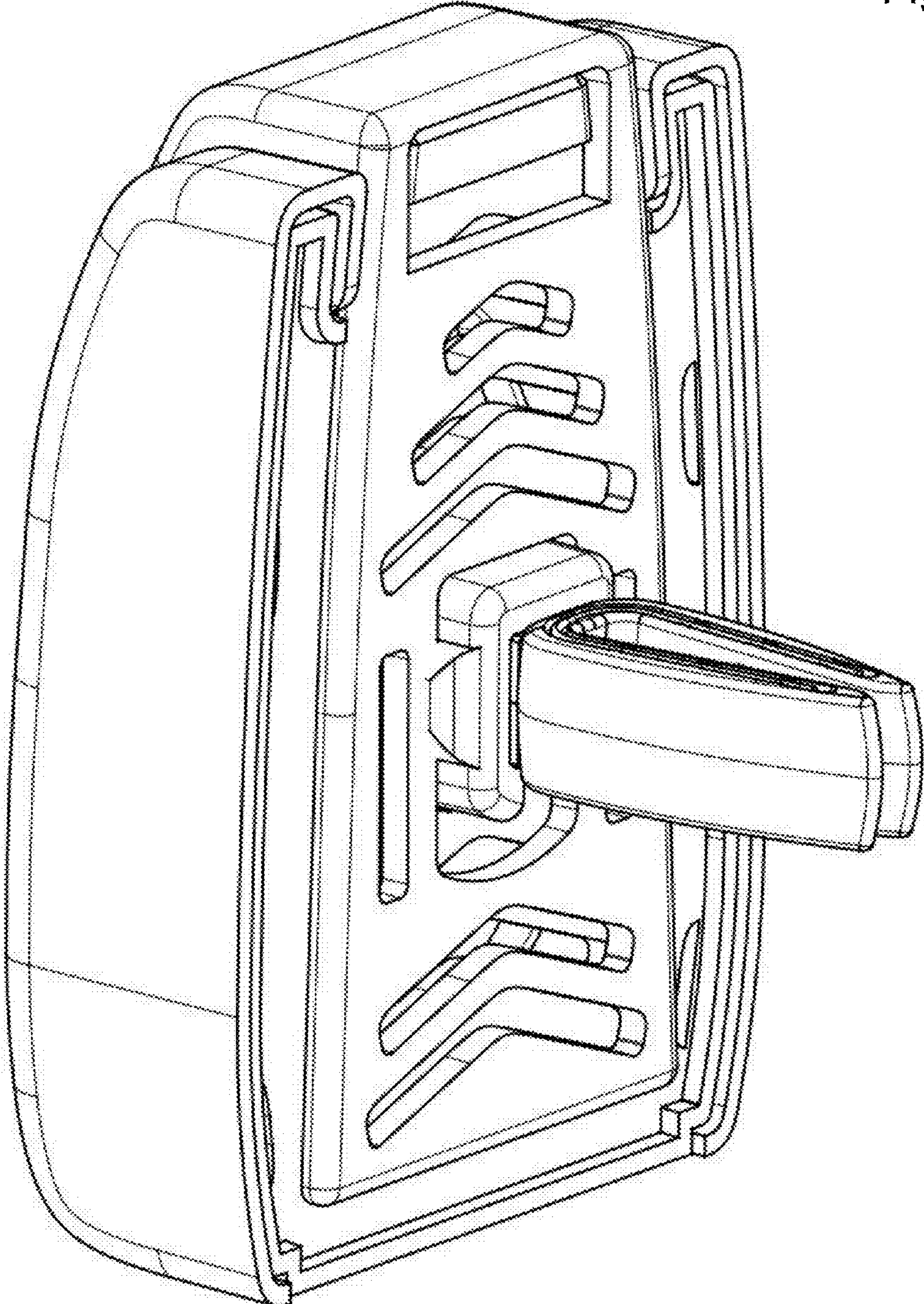


Fig. 3

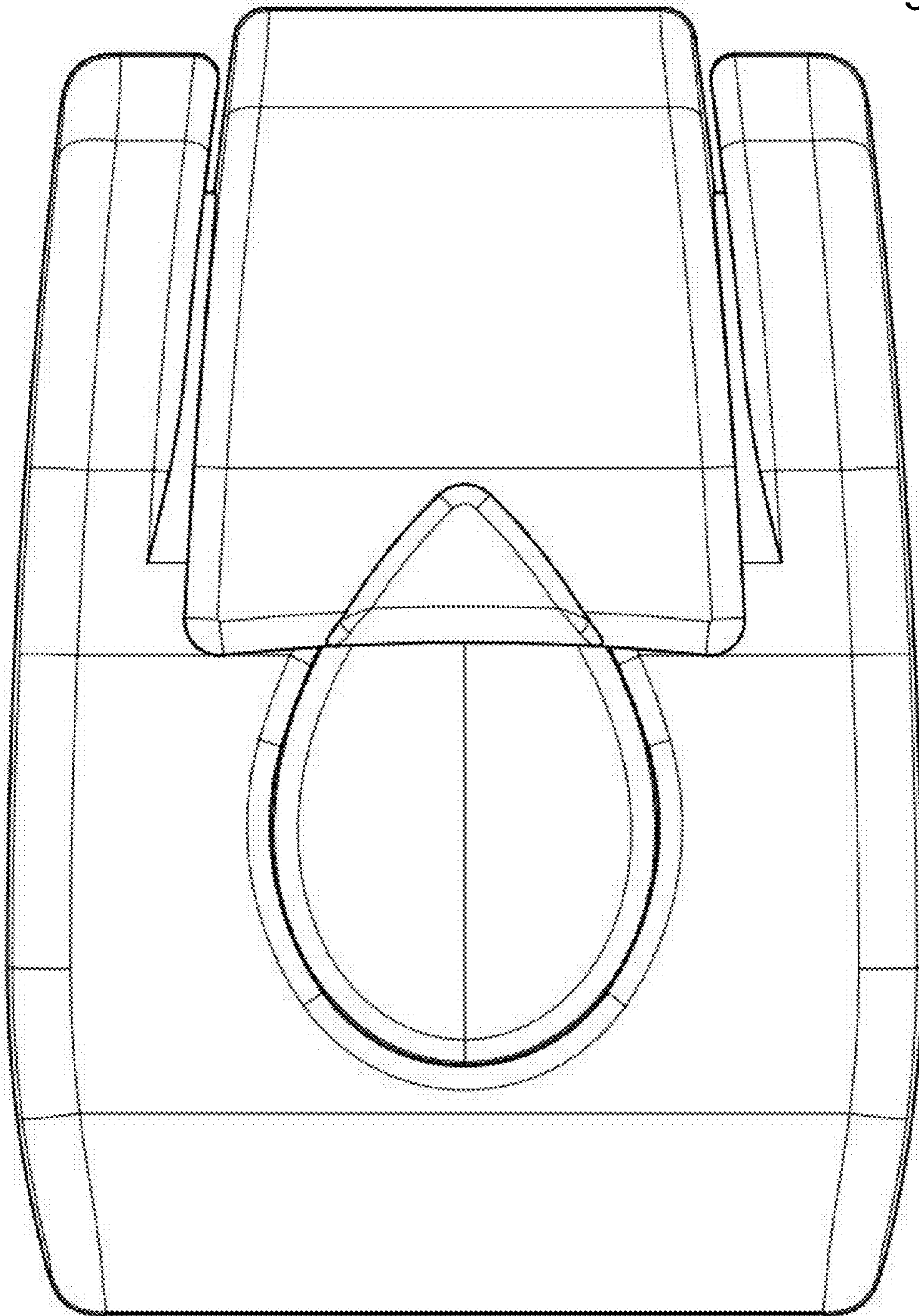
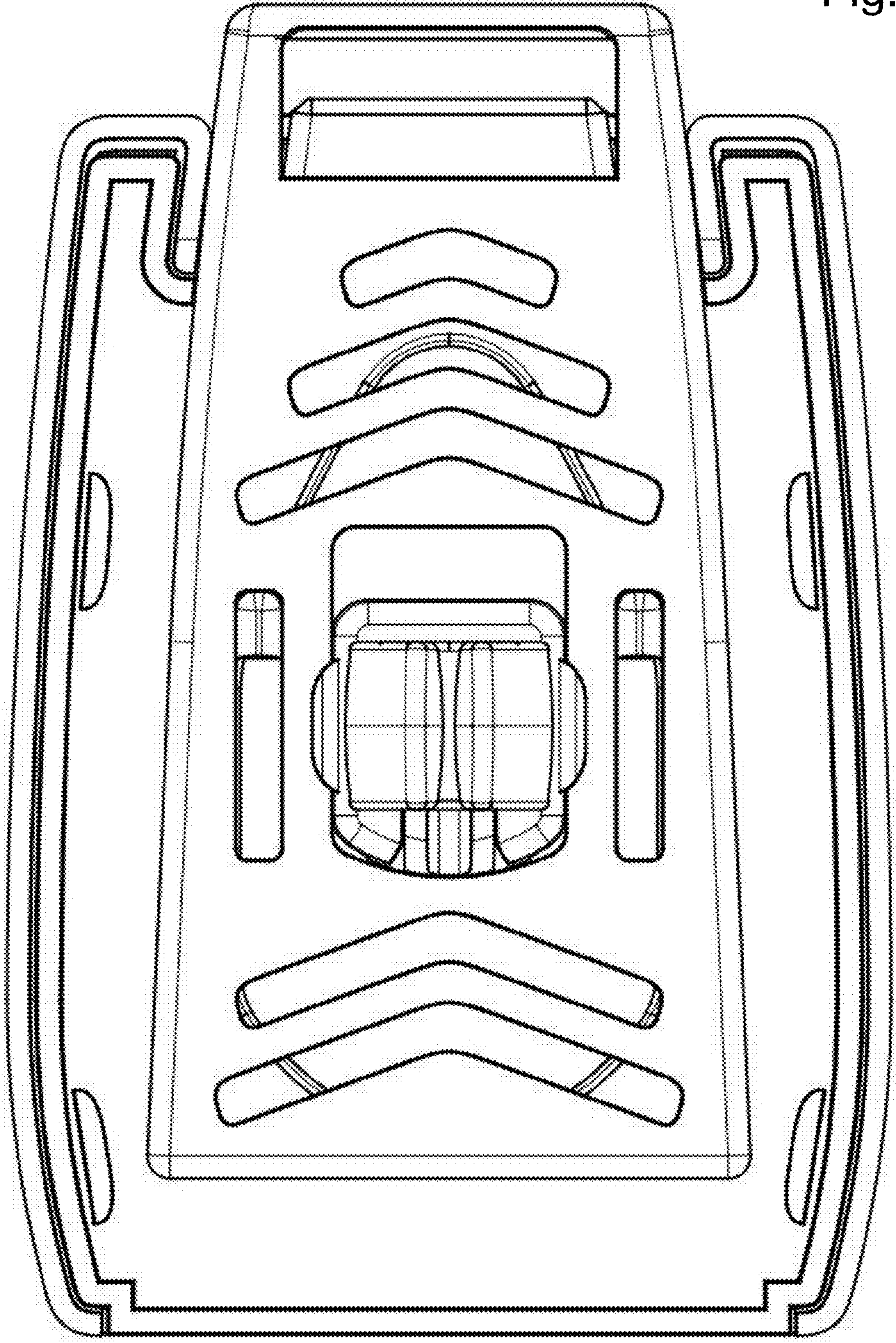


Fig. 4



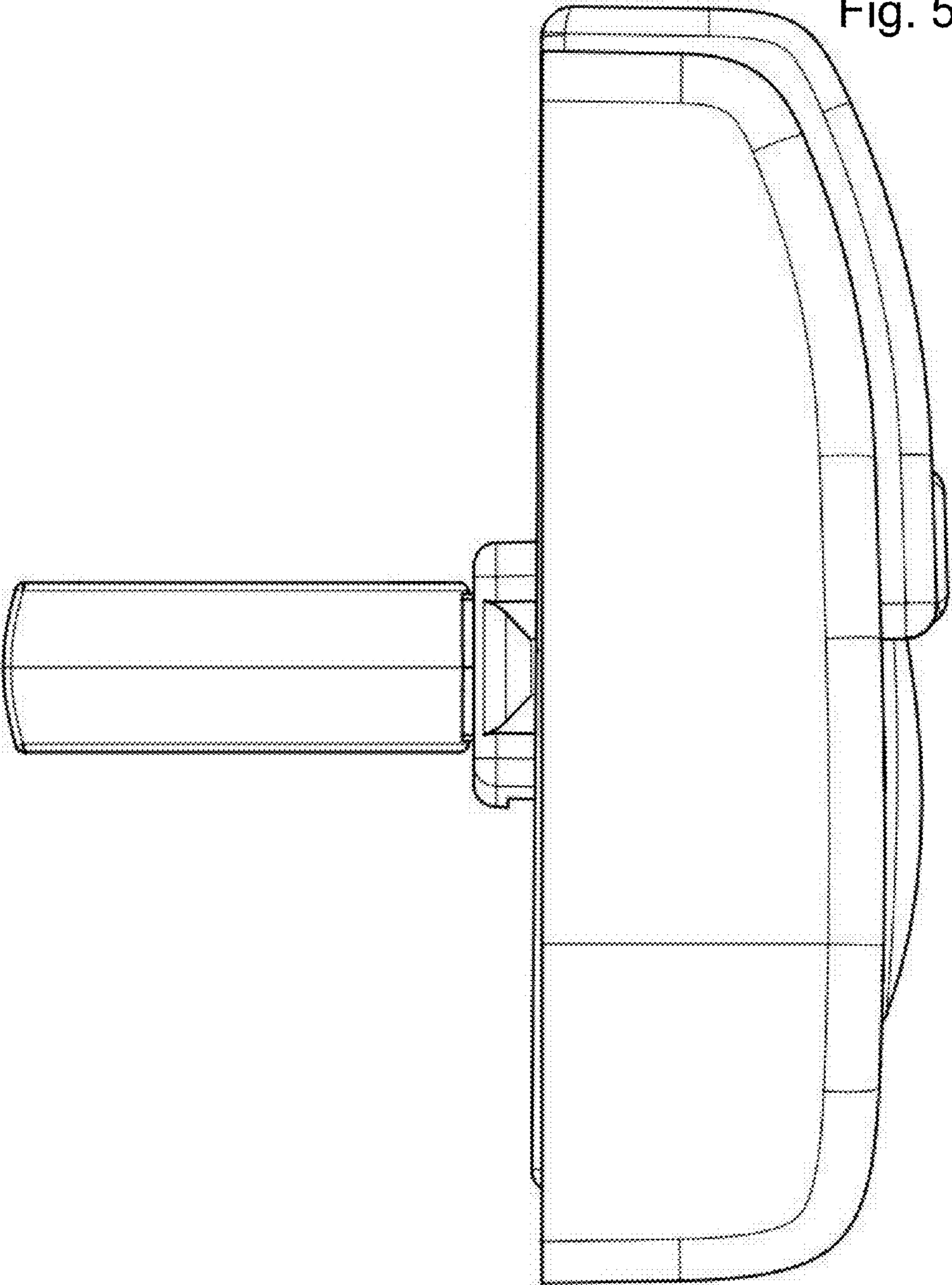


Fig. 5

Fig. 6

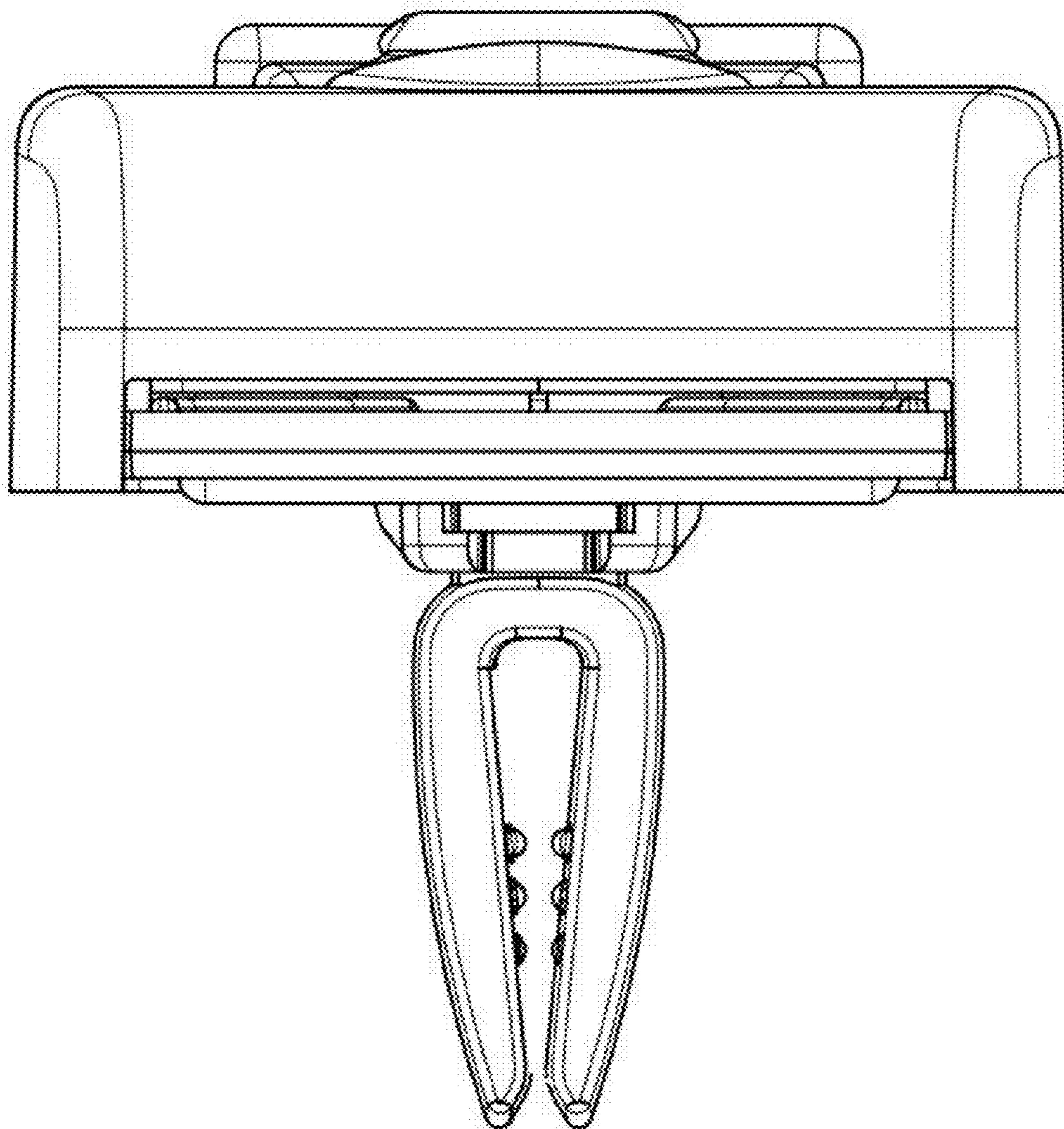


Fig. 7

