

US00D698430S

(12) **United States Design Patent**
Dobler et al.

(10) **Patent No.:** **US D698,430 S**
(45) **Date of Patent:** **** Jan. 28, 2014**

(54) **HOLDER FOR FRAGRANCE GEL FOR ATTACHMENT TO NIGHTLIGHT**

(71) Applicants: **Sven Dobler**, Huntington, NY (US);
Peter Galipani, Bay Shore, NY (US);
Jonathan Millen, Northport, NY (US)

(72) Inventors: **Sven Dobler**, Huntington, NY (US);
Peter Galipani, Bay Shore, NY (US);
Jonathan Millen, Northport, NY (US)

(73) Assignee: **Orlandi, Inc**, Farmingdale, NY (US)

(**) Term: **14 Years**

(21) Appl. No.: **29/442,829**

(22) Filed: **May 24, 2013**

(51) **LOC (10) Cl.** **28-99**

(52) **U.S. Cl.**
USPC **D23/366**

(58) **Field of Classification Search**
USPC D23/355-369; D28/5, 6; 261/DIG. 17,
261/DIG. 42, DIG. 65, DIG. 88, DIG. 89;
392/386, 390, 394, 395; 239/34, 44,
239/53, 55, 56, 326; D26/14, 17, 98, 9, 22,
D26/24; D11/131.1; D7/509, 522, 524, 537
See application file for complete search history.

(56) **References Cited**

U.S. PATENT DOCUMENTS

D487,589 S * 3/2004 Zaragoza D23/367
6,779,905 B1 8/2004 Mazursky et al.

7,246,919 B2 7/2007 Porchia et al.
7,318,659 B2 1/2008 Demarest et al.
D570,980 S * 6/2008 Isono et al. D23/366
7,419,281 B2 9/2008 Porchia et al.
7,476,002 B2 1/2009 Wolf et al.
7,484,860 B2 2/2009 Demarest et al.
D607,553 S * 1/2010 Roller D23/366
D607,985 S * 1/2010 Roller D23/366
7,641,364 B2 1/2010 Abbondanzio et al.
7,687,744 B2 3/2010 Walter et al.
7,786,889 B2 8/2010 Van Der Poel et al.
D627,459 S * 11/2010 Uchida et al. D24/130
D628,284 S * 11/2010 Ko et al. D23/366
7,887,759 B2 2/2011 Triplett
7,932,482 B2 4/2011 Norwood et al.
8,412,029 B2 4/2013 Browder et al.

* cited by examiner

Primary Examiner — Sandra Snapp

(74) *Attorney, Agent, or Firm* — Paul M Denk

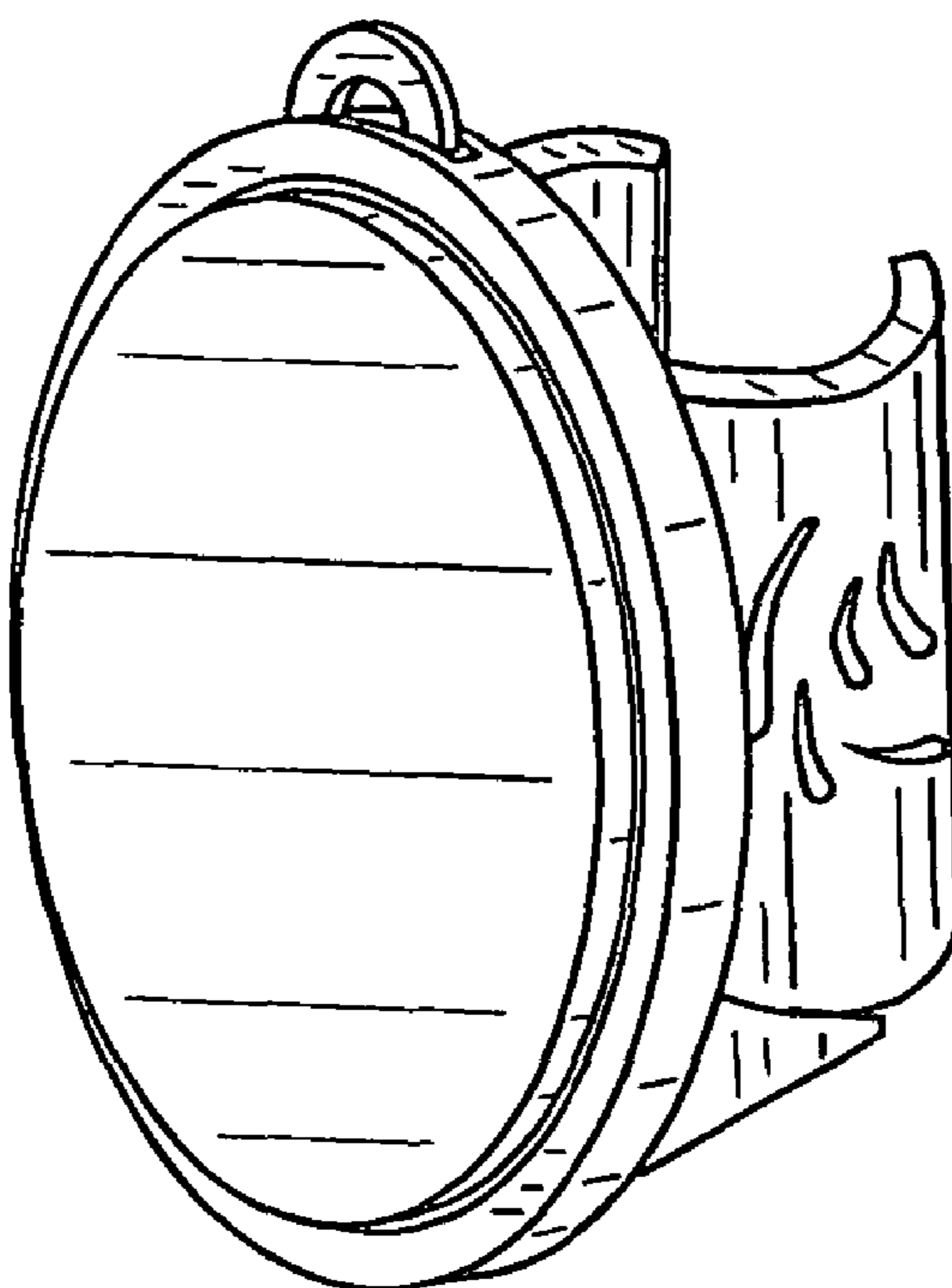
(57) **CLAIM**

The ornamental design for the holder for fragrance gel for attachment to nightlight, as shown and described.

DESCRIPTION

FIG. 1 is a perspective view of the holder for fragrance gel for attachment to nightlight of this invention;
FIG. 2 is a front view;
FIG. 3 is a rear view;
FIG. 4 is a left side view;
FIG. 5 is a right side view;
FIG. 6 is a top view; and,
FIG. 7 is a bottom view thereof.

1 Claim, 1 Drawing Sheet



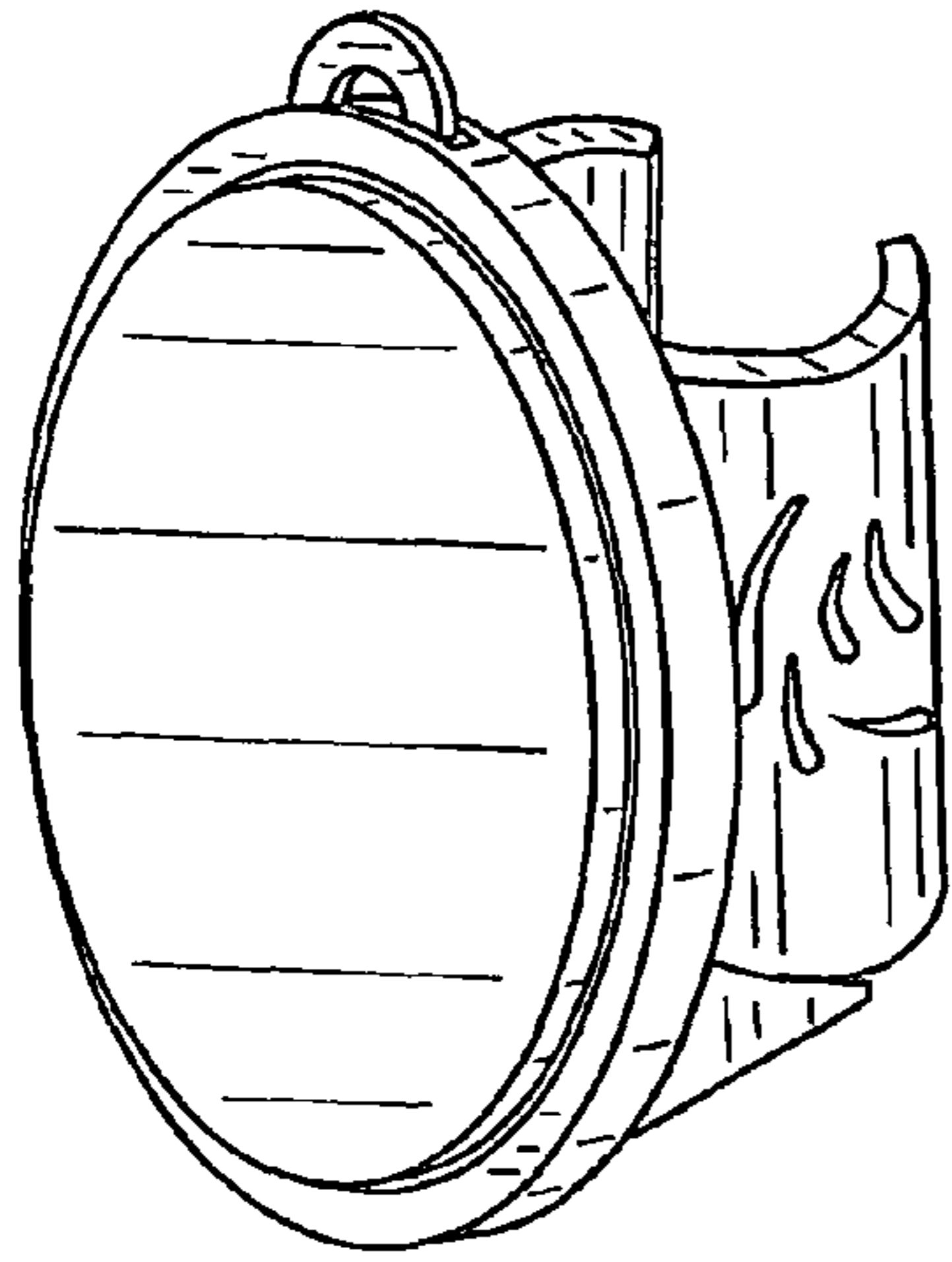


FIG. 1

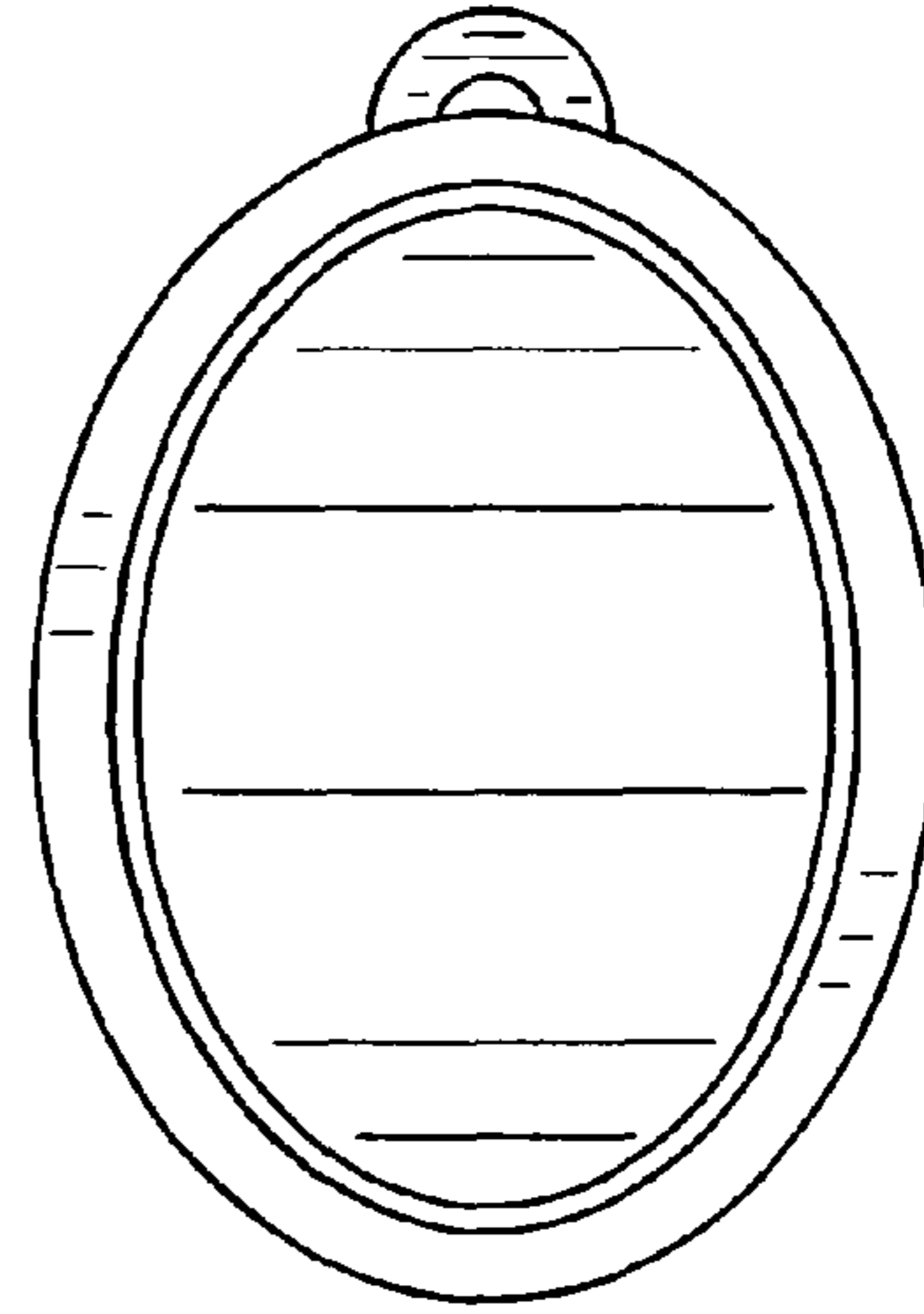


FIG. 2

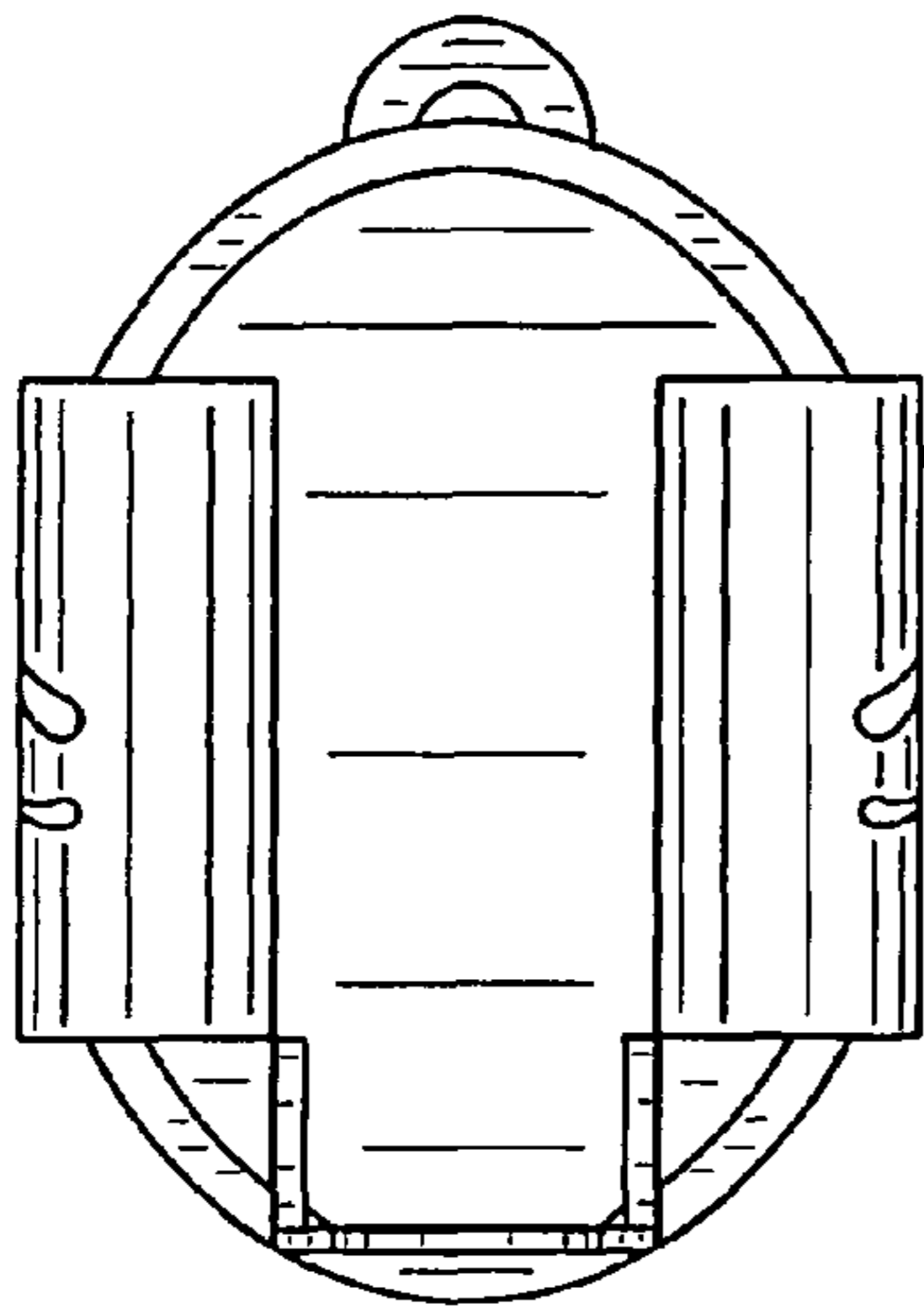


FIG. 3

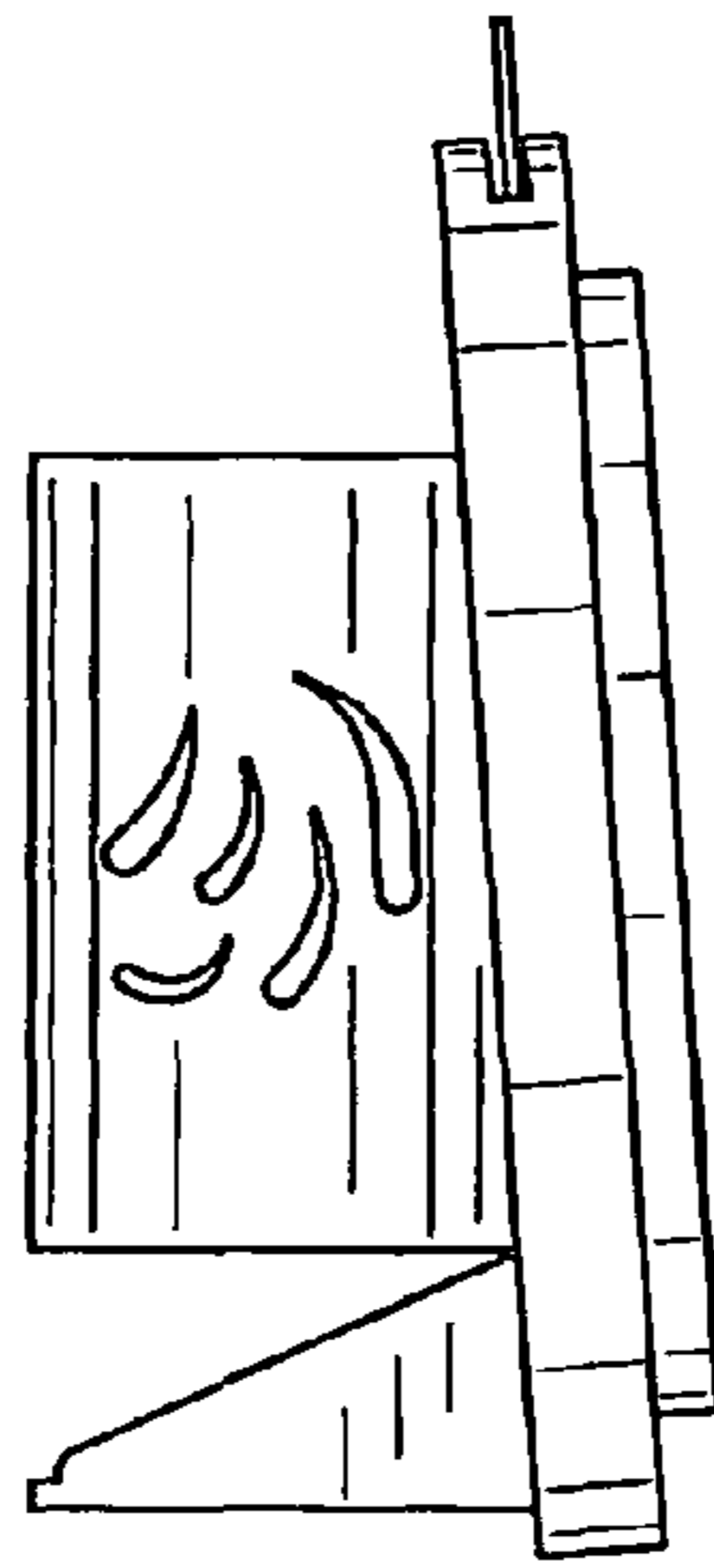


FIG. 4



FIG. 5

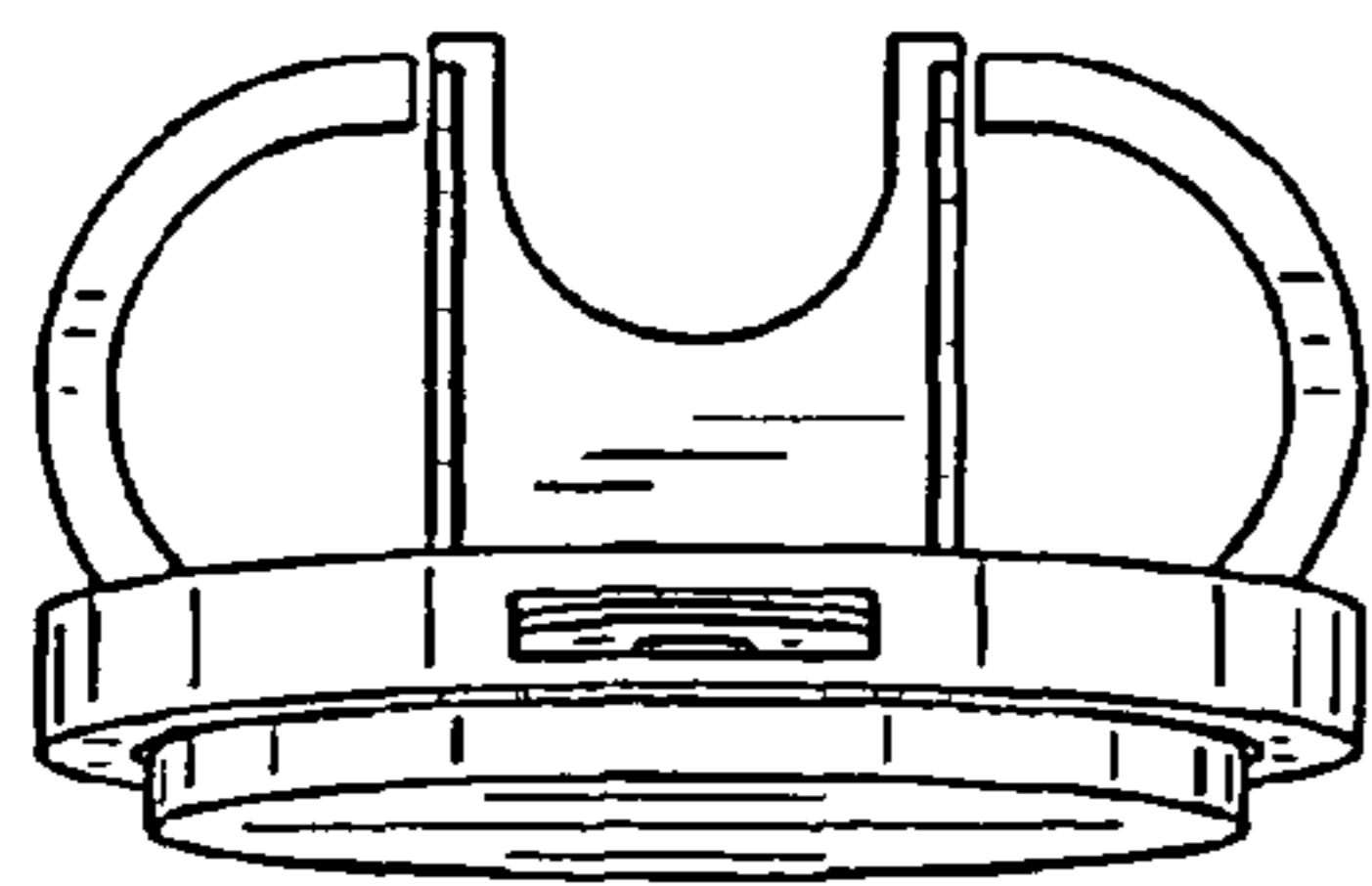


FIG. 6

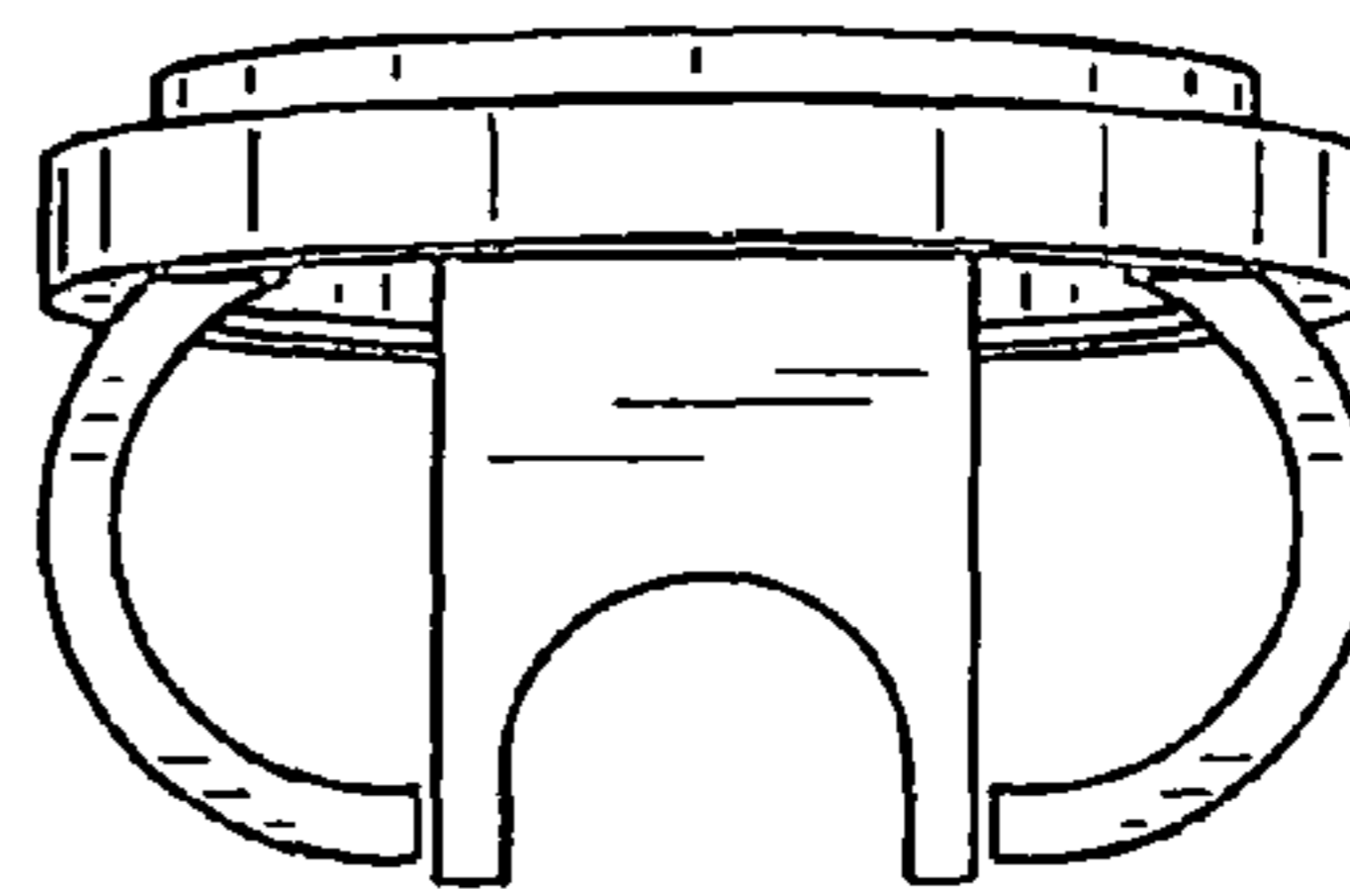


FIG. 7