



US00D698428S

(12) **United States Design Patent**
Sands et al.

(10) **Patent No.:** **US D698,428 S**
(45) **Date of Patent:** **** Jan. 28, 2014**

- (54) **MISTING BOTTLE WITH FAN**
- (75) Inventors: **Michael Edward Sands**, Phoenix, AZ (US); **Michael Davis**, Santa Monica, CA (US)
- (73) Assignee: **Cloudburst Misting Systems Inc**, Oxnard, CA (US)
- (**) Term: **14 Years**
- (21) Appl. No.: **29/427,160**
- (22) Filed: **Jul. 16, 2012**
- (51) **LOC (10) Cl.** **23-03**
- (52) **U.S. Cl.**
USPC **D23/328**; D23/314; D23/370; D7/507; D9/719
- (58) **Field of Classification Search**
USPC D7/507, 509, 510, 511, 300.1; D23/370, 314, 213, 328; D9/719; 454/370; 239/289; 222/153; 261/24
See application file for complete search history.

(56) **References Cited**

U.S. PATENT DOCUMENTS

3,997,115	A *	12/1976	Licudine	239/351
D314,617	S	2/1991	Yuen		
D349,954	S	8/1994	Steiner et al.		
5,667,731	A	9/1997	Junkel et al.		
D386,572	S	11/1997	Radtke et al.		
D387,852	S *	12/1997	Radtke et al.	D23/328
5,752,662	A *	5/1998	Hsu	239/215
D395,701	S	6/1998	Radtke et al.		
D396,104	S	7/1998	Radtke		
5,965,067	A	10/1999	Junkel et al.		
D434,840	S	12/2000	Schaefer		
6,161,777	A *	12/2000	Carter et al.	239/222.11
D439,966	S	4/2001	Steiner		
D440,288	S	4/2001	Schaefer		
D451,994	S *	12/2001	Yuen	D23/379
D457,613	S	5/2002	Schaefer		
6,398,132	B1 *	6/2002	Junkel et al.	239/289
D503,212	S *	3/2005	Peloquin	D23/225

D507,642	S	7/2005	Radtke et al.		
D512,482	S	12/2005	Utter et al.		
7,143,958	B1 *	12/2006	Dorney	239/289
D544,078	S *	6/2007	Geringer	D23/328
D546,194	S	7/2007	Silberfenig et al.		
7,249,692	B2	7/2007	Walters et al.		
7,260,955	B1	8/2007	Uranga		
D553,227	S *	10/2007	Chen	D23/328
D554,242	S *	10/2007	Chen	D23/328
D586,183	S *	2/2009	Junkel	D7/511
D609,331	S *	2/2010	Paterson et al.	D24/109
D656,840	S *	4/2012	Tacconi et al.	D9/689
D670,134	S *	11/2012	Di Lollo	D7/507
D676,536	S *	2/2013	Roach et al.	D23/328
D676,708	S *	2/2013	Lane	D7/510
D678,993	S *	3/2013	Kung-Hua	D23/370
D682,034	S *	5/2013	El-Saden et al.	D7/510
D684,924	S *	6/2013	Herbst	D13/103
8,485,875	B1 *	7/2013	Auerbach	454/370
2007/0210122	A1	9/2007	Giovannoni		

* cited by examiner

Primary Examiner — Marianne Pandozzi
(74) *Attorney, Agent, or Firm* — Law Office of Ken Dallara; Ken Dallara

(57) **CLAIM**

The ornamental design for misting bottle with fan, as shown and described.

DESCRIPTION

FIG. 1 is a rear elevation view of a misting bottle with fan showing our new design;
FIG. 2 is a frontal elevation view thereof;
FIG. 3 is a left side elevation view thereof;
FIG. 4 is a right side elevation view thereof;
FIG. 5 is a right rear perspective view thereof;
FIG. 6 is a left rear perspective view thereof;
FIG. 7 is a detail view of the left side thereof highlighting the area detailed in FIG. 7A;
FIG. 7A is a close up detail view of the upper left side thereof, and
FIG. 8 is a top plan view thereof.

1 Claim, 4 Drawing Sheets

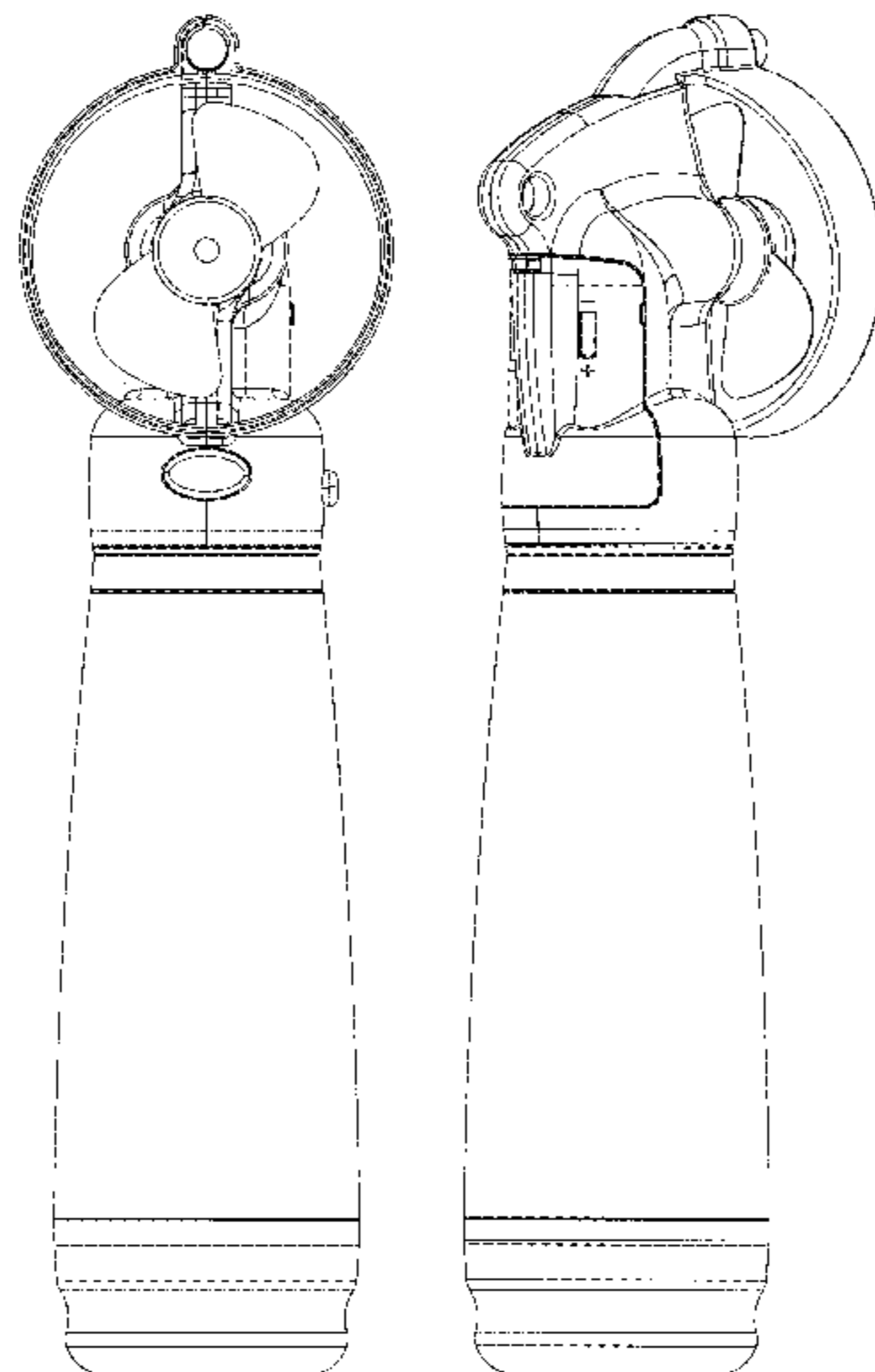


Figure 1

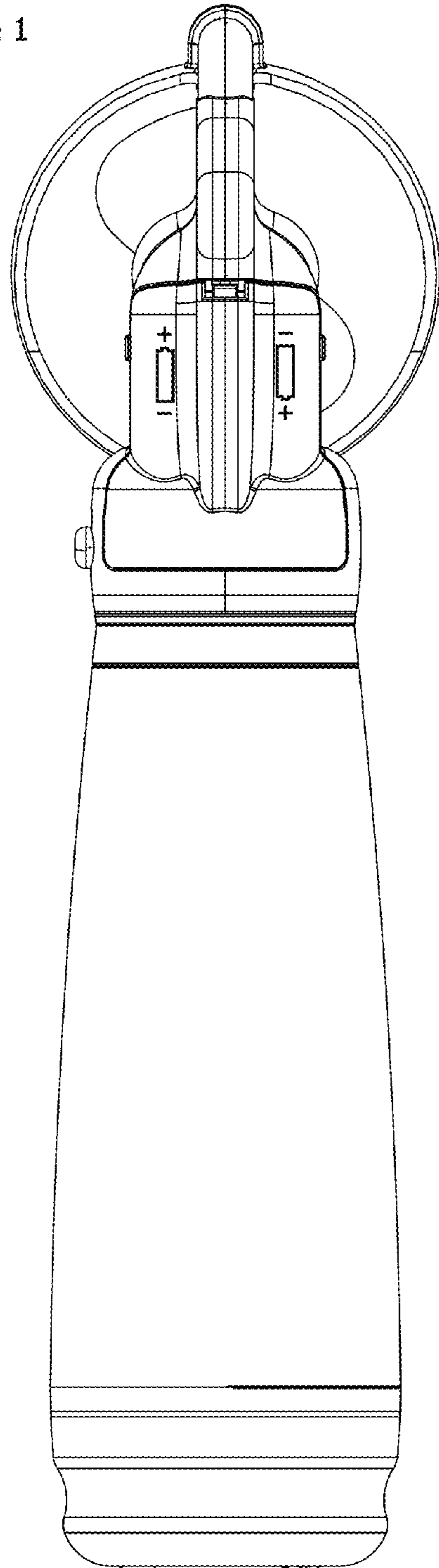


Figure 2

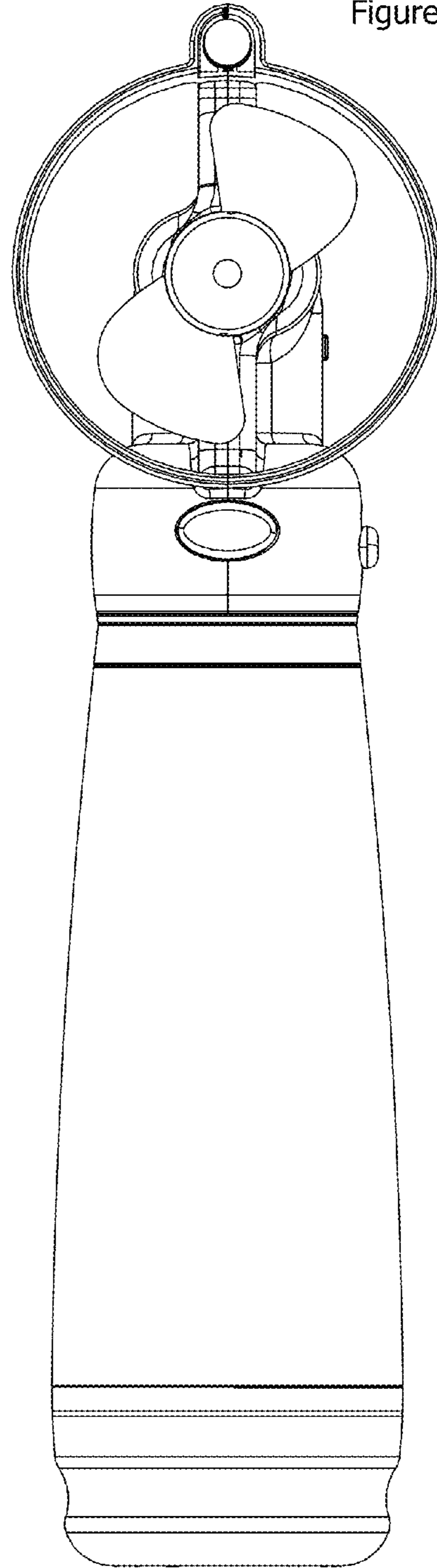


Figure 3

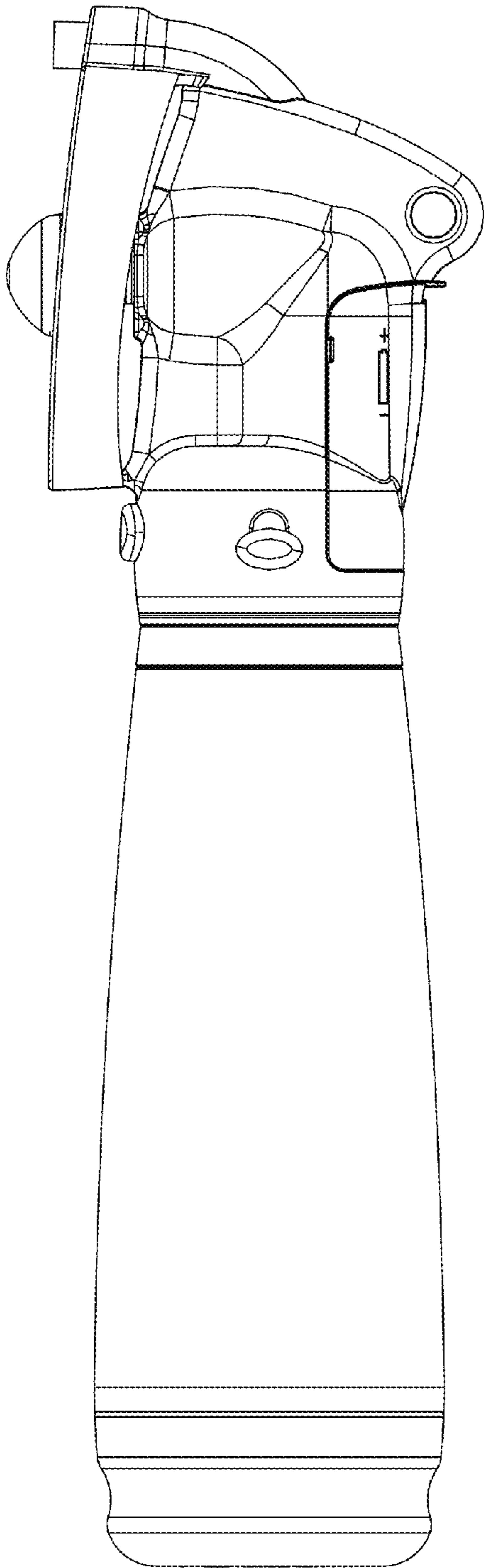


Figure 4

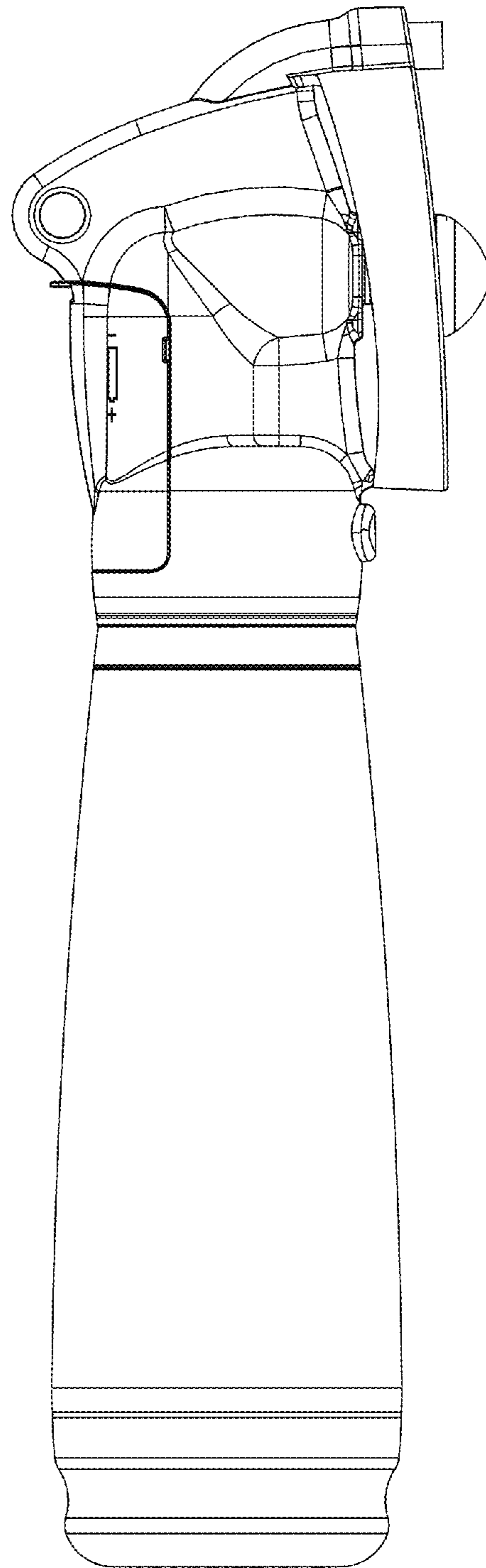


Figure 5

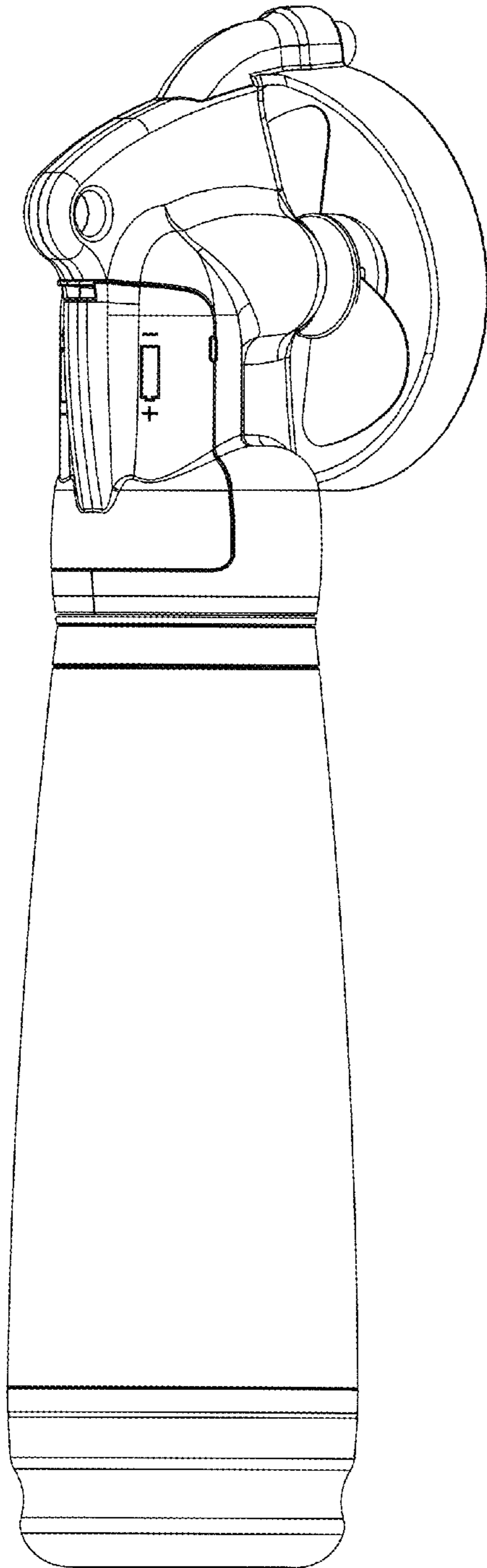


Figure 6

