



US00D698427S

(12) **United States Design Patent**
Wei et al.

(10) **Patent No.:** **US D698,427 S**
(45) **Date of Patent:** **** Jan. 28, 2014**

(54) **EXTERNAL HEAT REUSING DEVICE**

(75) Inventors: **Shiang-Hui Wei**, New Taipei (TW);
Shih-Feng Lu, New Taipei (TW);
Chia-Jung Liu, New Taipei (TW);
Yi-Ru Lai, New Taipei (TW)

(73) Assignee: **Hon Hai Precision Industry Co., Ltd.**,
New Taipei (TW)

(**) Term: **14 Years**

(21) Appl. No.: **29/429,494**

(22) Filed: **Aug. 13, 2012**

(30) **Foreign Application Priority Data**

Aug. 3, 2012 (TW) 101304494 A

(51) **LOC (10) Cl.** **23-03**

(52) **U.S. Cl.**
USPC **D23/314**

(58) **Field of Classification Search**
USPC D14/480.3, 480.1, 480.2, 480.5;
D23/314, 328, 332; D13/101, 107,
D13/118, 119; 361/679.49, 695

See application file for complete search history.

(56) **References Cited**

U.S. PATENT DOCUMENTS

8,059,402 B2 * 11/2011 Hsieh 361/695
8,215,981 B2 * 7/2012 Liu et al. 439/487
8,248,781 B2 * 8/2012 Sun et al. 361/679.49

* cited by examiner

Primary Examiner — T. Chase Nelson

Assistant Examiner — Ania Aman

(74) *Attorney, Agent, or Firm* — Altis Law Group, Inc.

(57) **CLAIM**

The ornamental design for an external heat reusing device, as shown and described.

DESCRIPTION

FIG. 1 is a perspective view of an external heat reusing device showing our new design.

FIG. 2 is a front elevational view thereof.

FIG. 3 is a rear elevational view thereof.

FIG. 4 is a left side elevational view thereof.

FIG. 5 is a right side elevational view thereof.

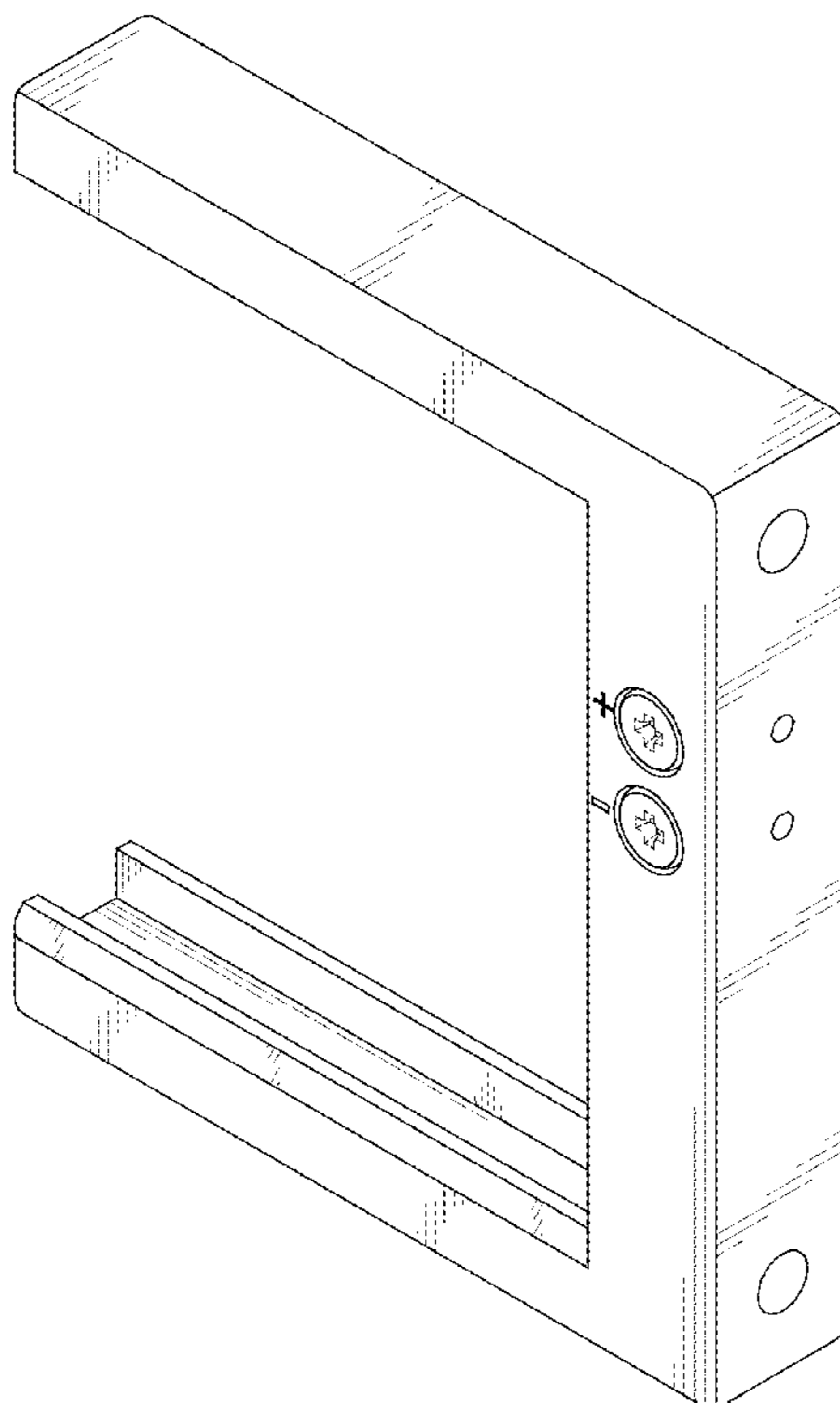
FIG. 6 is a top plan view thereof.

FIG. 7 is a bottom plan view thereof; and,

FIG. 8 is a perspective view of another aspect of the “external heat reusing device”, showing parts of the “external heat reusing device” which is in a state of use.

In the drawings, the broken lines depict unclaimed subject matter only and form no part of the claimed design and the shade lines in the figures show contour and not surface ornamentation.

1 Claim, 8 Drawing Sheets



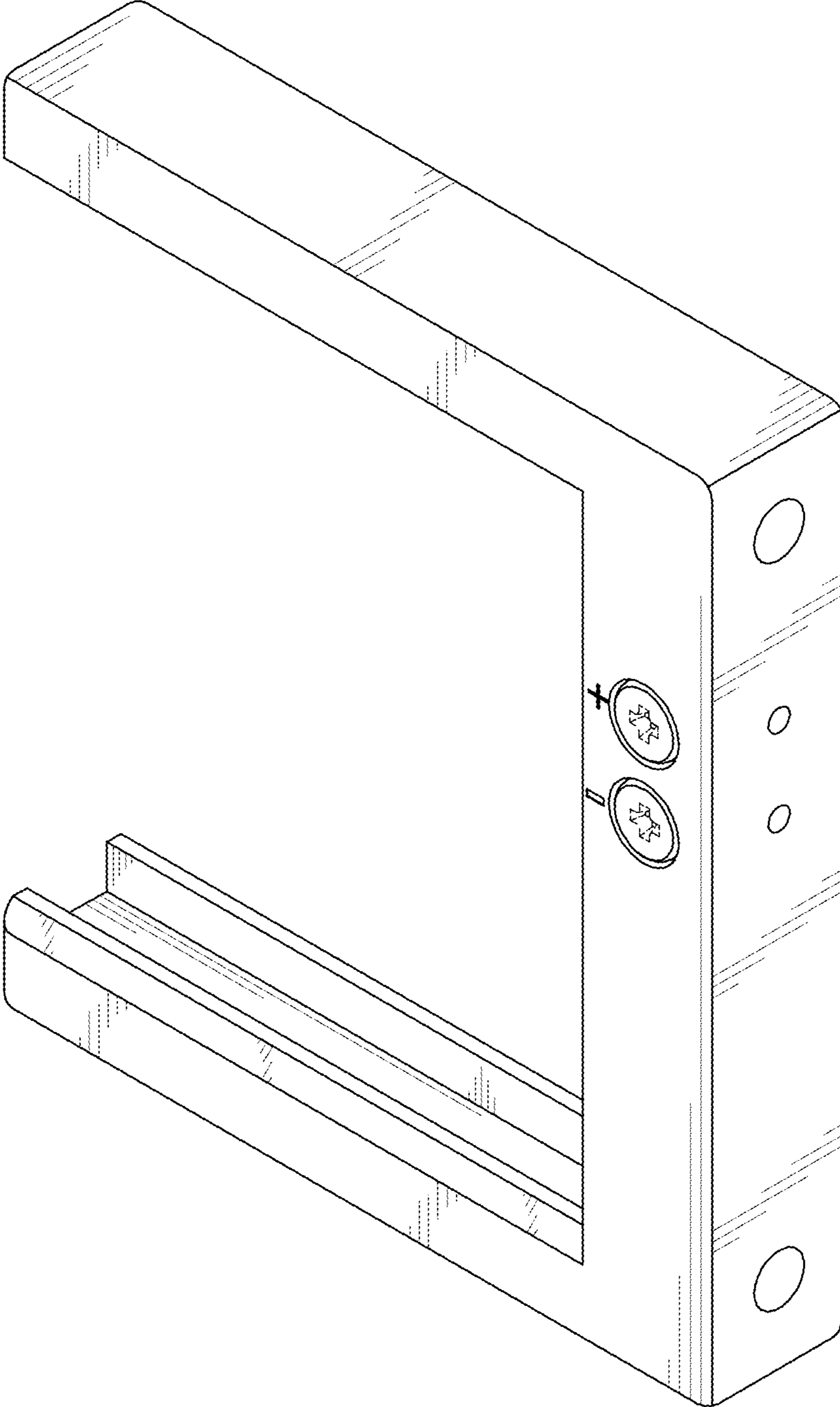


FIG. 1

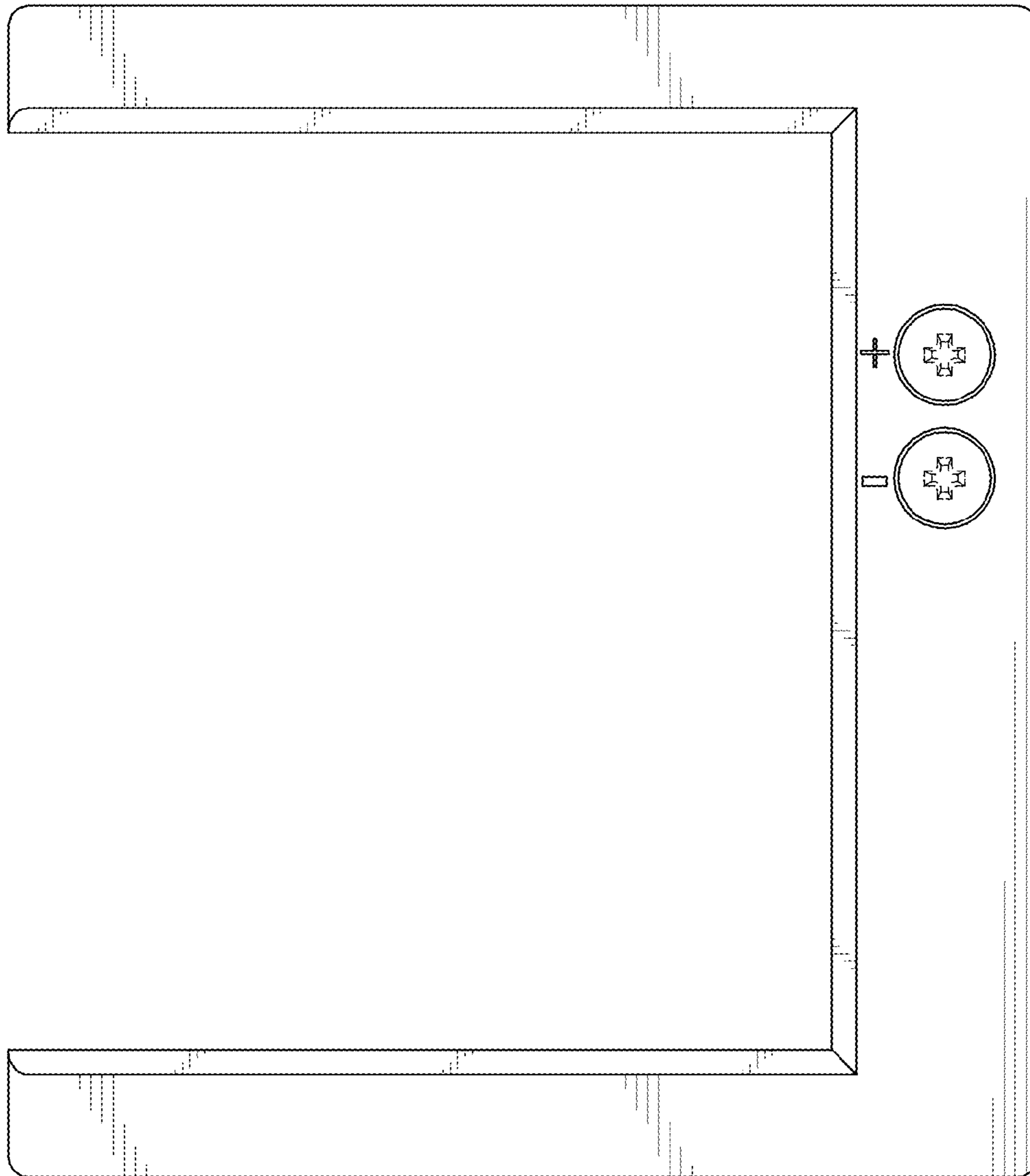


FIG. 2

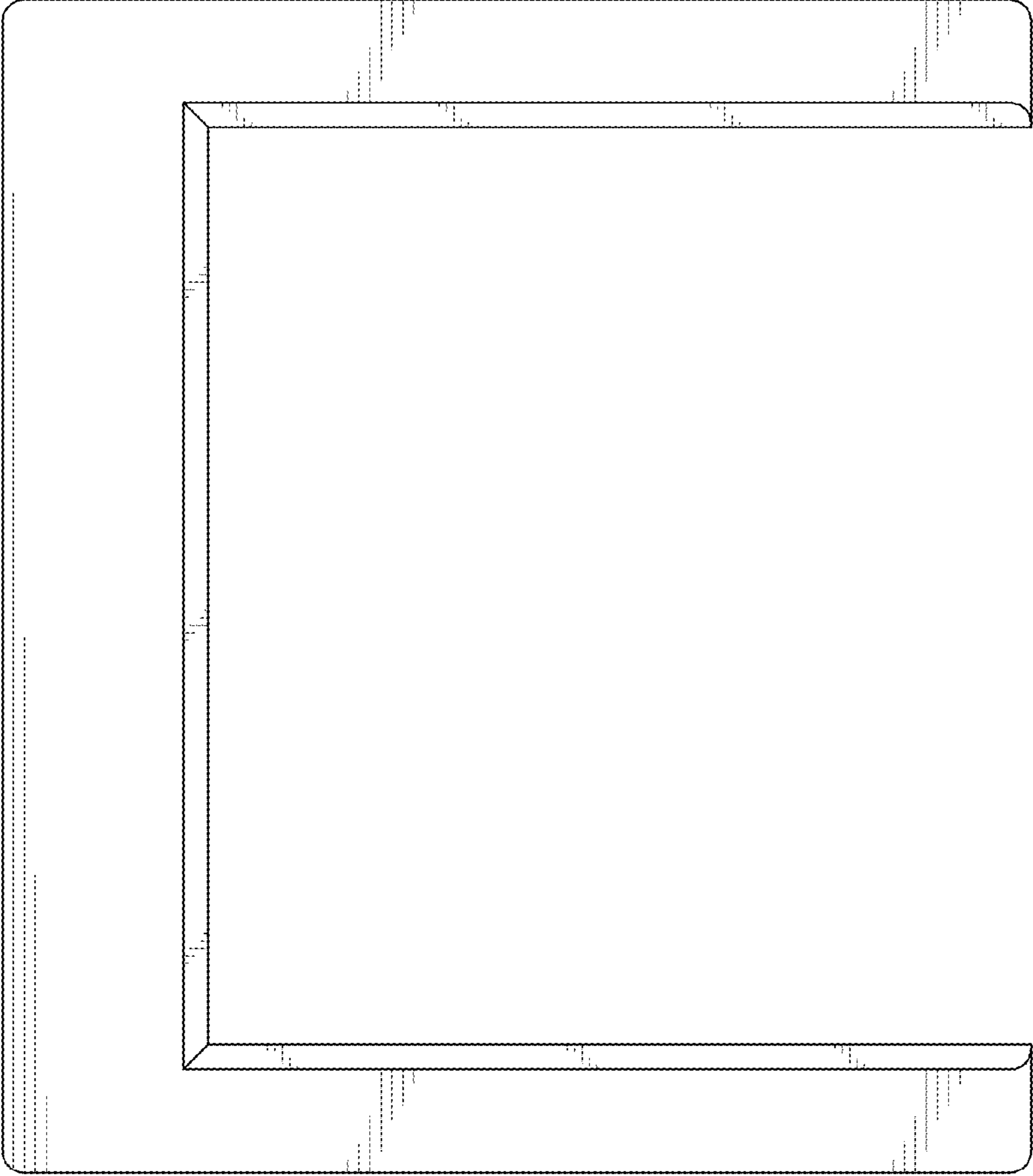


FIG. 3

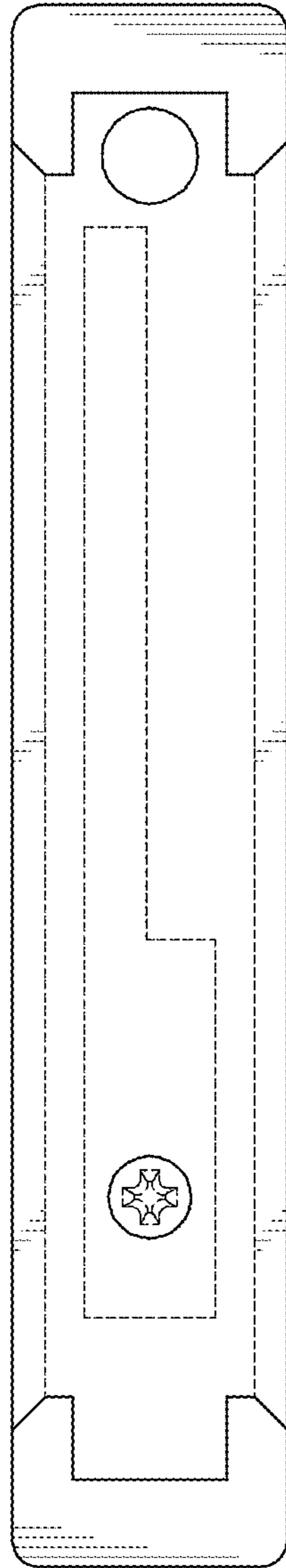


FIG. 4

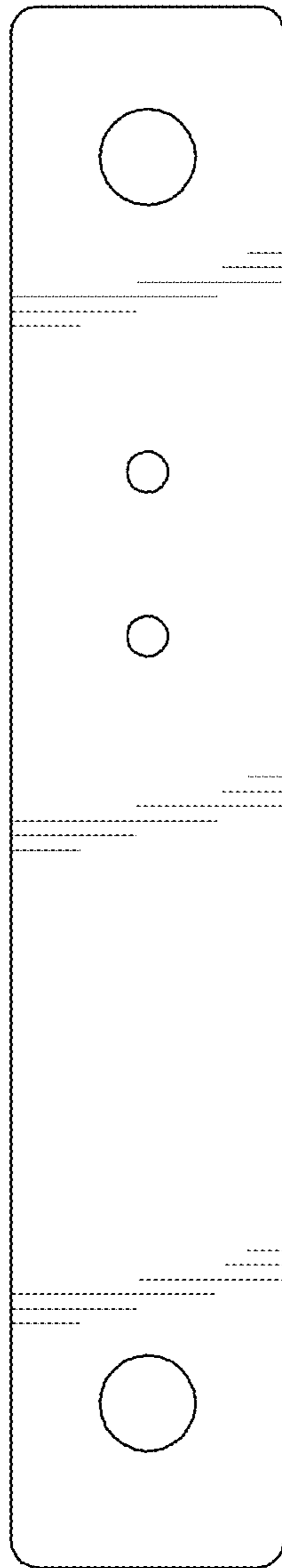


FIG. 5

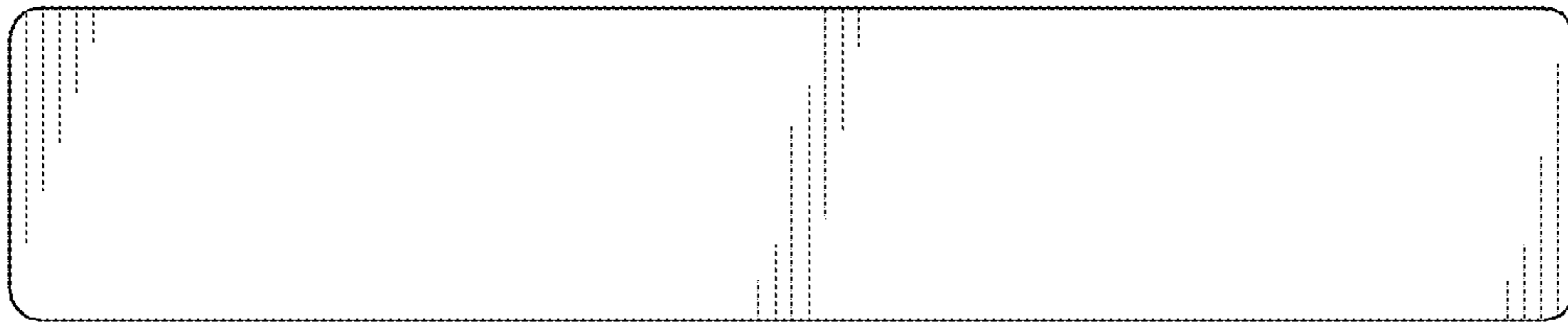


FIG. 6

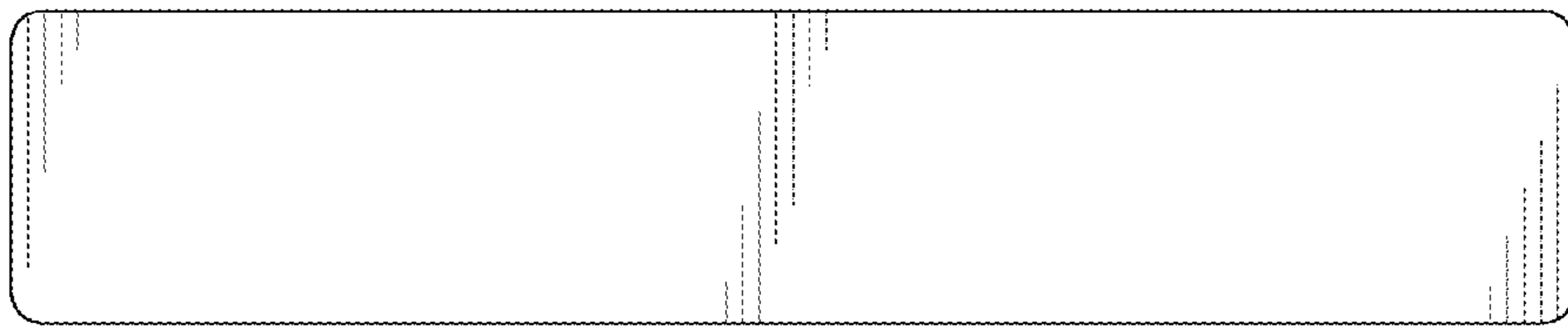


FIG. 7

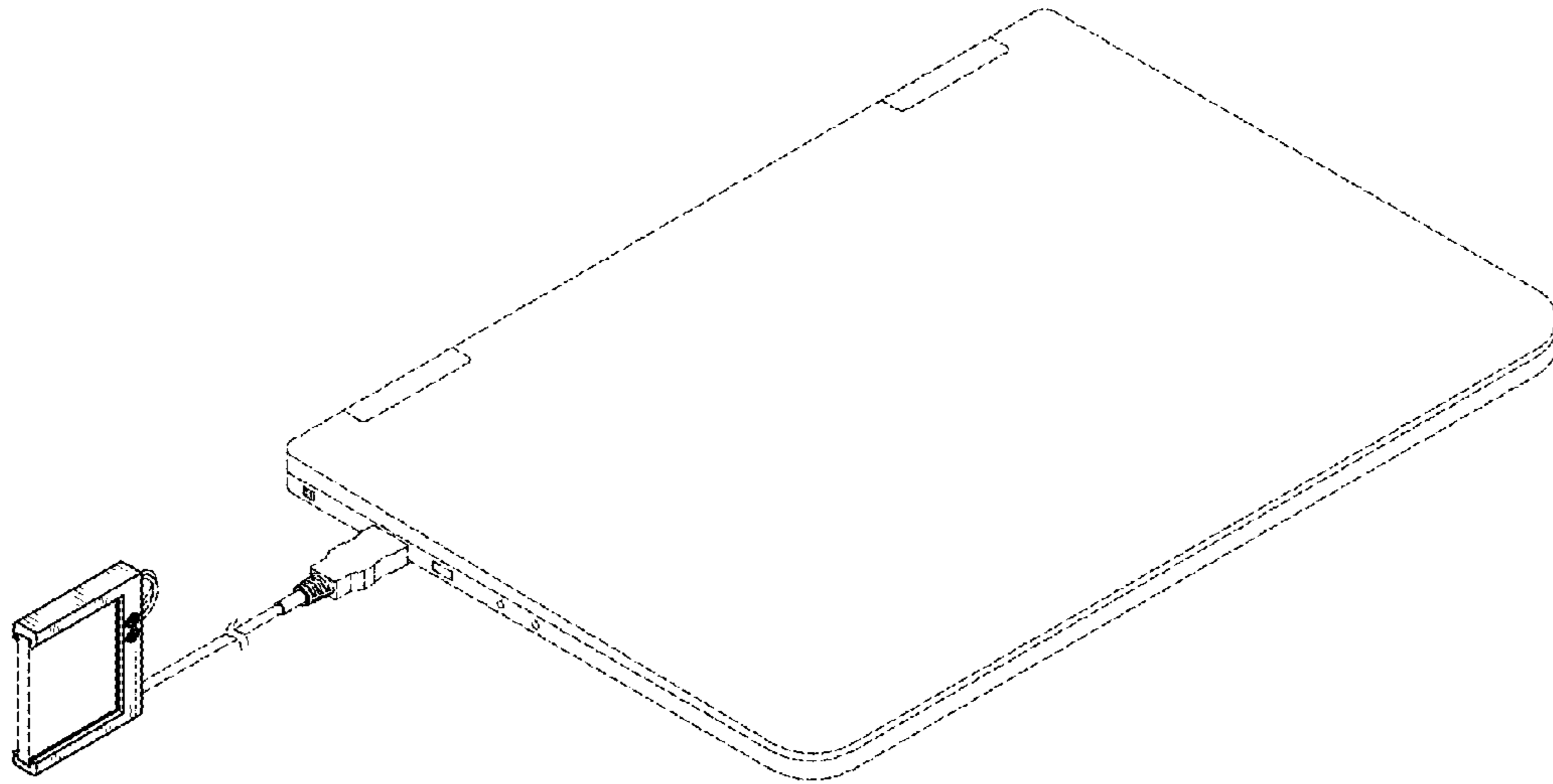


FIG. 8